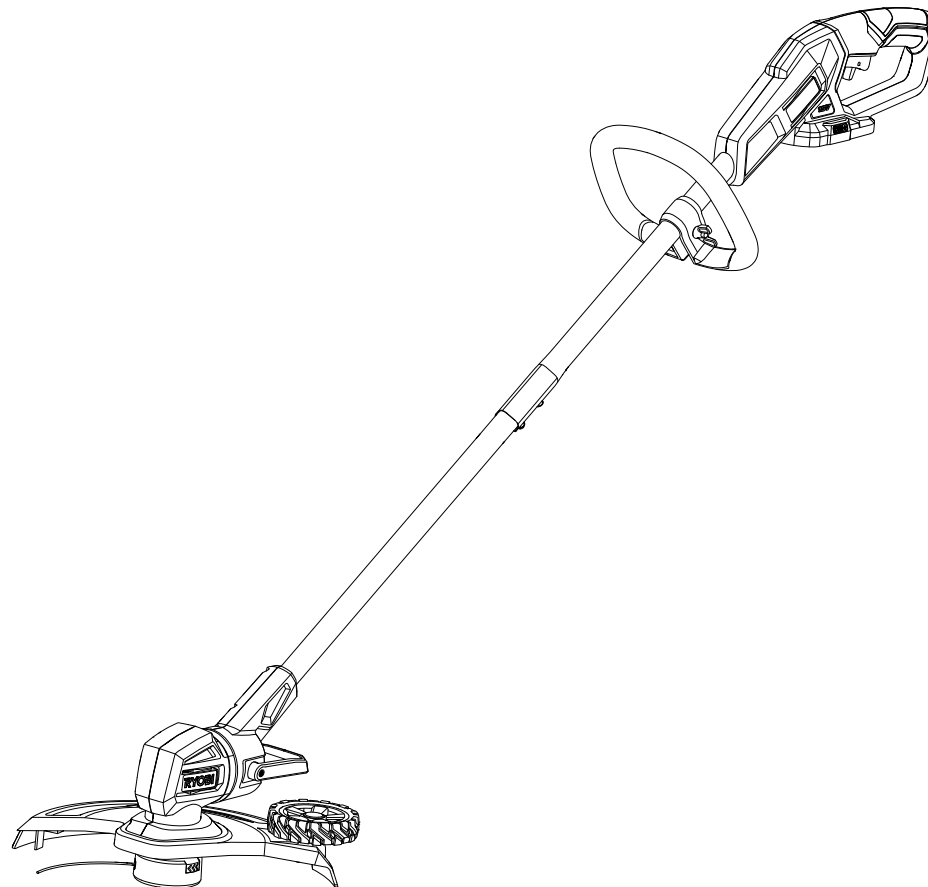


REPAIR SHEET

BRAND RYOBI		DESCRIPTION 18 Volt String Trimmer/Edger
MODEL NO. P20018VNM	MFG. NO. 108793001	

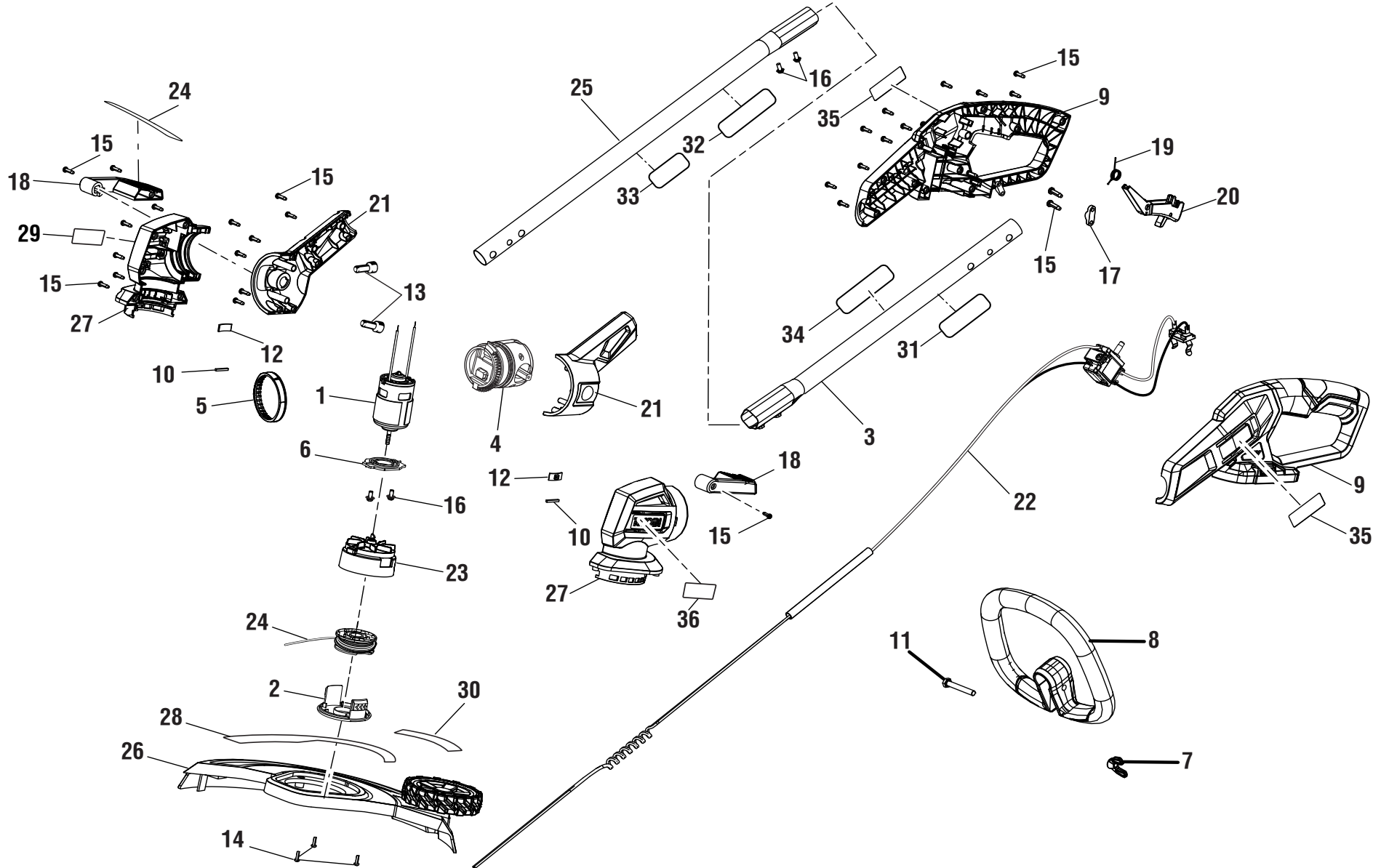


TTI OUTDOOR POWER EQUIPMENT, INC.

P.O. Box 1288, Anderson, SC 29622 ■ 1-800-525-2579 ■ www.ryobitools.com

2-14-22 (Rev:02)

The model number and manufacturing location will be found on a label attached to the product. Always mention this information in all communications regarding this product and when ordering parts.





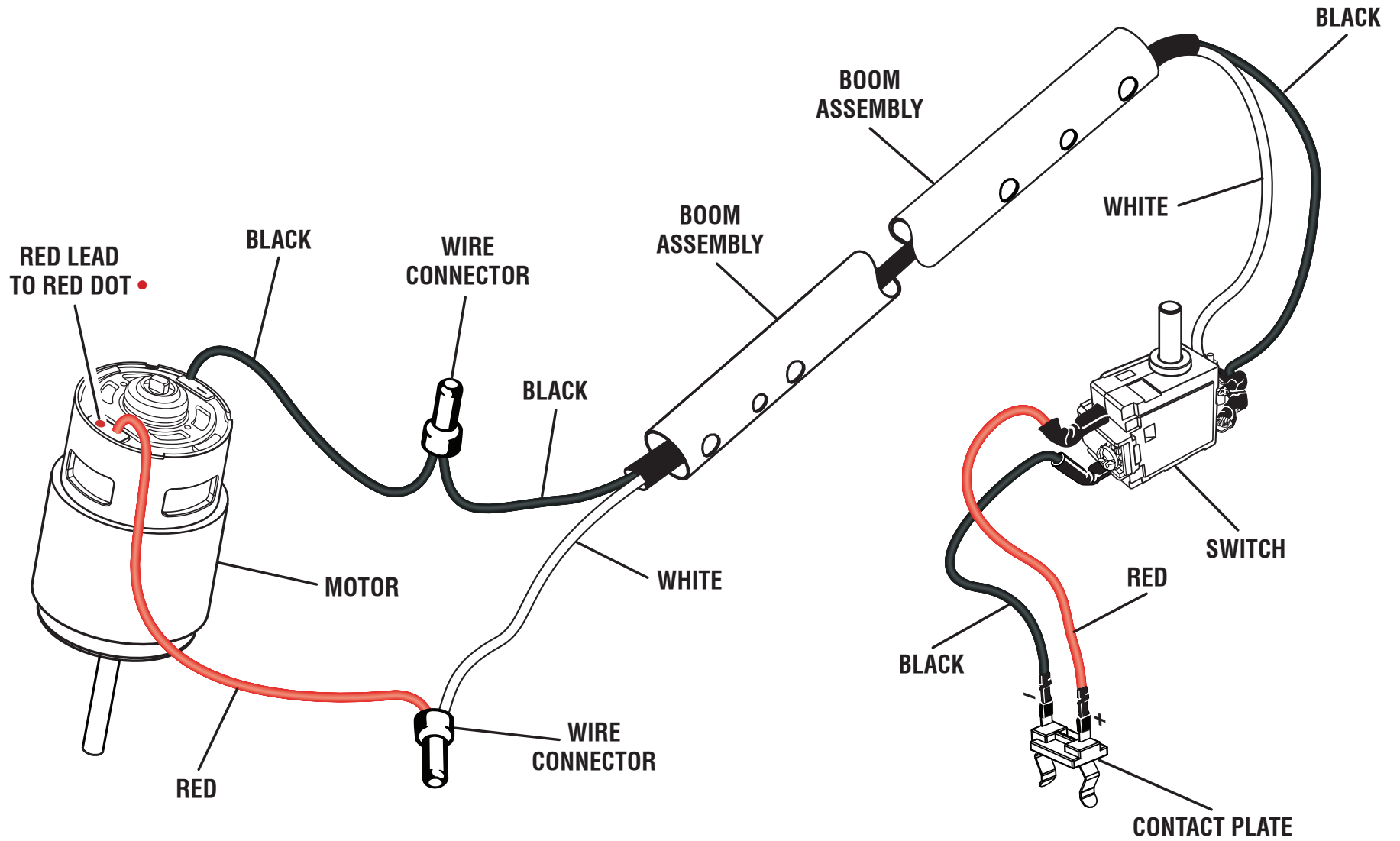
P20018VNM

PARTS LIST

KEY NO.	PART NO.	DESCRIPTION	QTY.
1	742199004	Motor	1
2	***	Spool Cover	1
3	205775001	Upper Tube Assembly (Inc. Key Nos. 31 & 34)	1
4	351109001	Pivot Assembly	1
5	545331001	Plastic Ring	1
6	522926001	Motor Mounting Plate	1
7	518949001	Wing Nut (1/4-20)	1
8	526764002	Handle	1
9	205774001	Handle Housing Assembly (Inc. Key No. 35)	1
10	562079003	Rubber Plate	2
11	660643009	Screw (1/4-20 x 1.803 in., Hex Hd.)	1
12	570815001	Rubber Plate	2
13	790009004	Close End Terminal	2
14	660208055	Screw (M4 x 12 mm, Pan Hd.)	3
15	661817001	Screw (M4 x 13.5 mm, T15 Torx Pan Hd.)	28
16	660502002	Screw w/Internal Tooth Washer (M5 x 11.1 mm)	4
17	523001003	Wire Pressure Plate	1
18	205778001	Adjustment Pedal Assembly	1
19	699987001	Trigger Spring	1

KEY NO.	PART NO.	DESCRIPTION	QTY.
20	205773001	Trigger Assembly	1
21	205776001	Lower Housing Assembly	1
22	318512001	Switch and Contact Plate Assembly	1
23	311155001	Spool Base and Slider Assembly	1
24	***	Spool With Line Assembly	1
25	205772001	Lower Tube Assembly (Inc. Key Nos. 32-33)	1
26	205779001	Guard Assembly (Inc. Key Nos. 28 & 30)	1
27	205777001	Motor Housing Assembly (Inc. Key No. 29)	1
28	941263101	Autofeed Guard Label	1
29	940705490	RYOBI Logo Label (48 mm)	2
30	941263104	Adjustable Cutting Width Label	1
31	941013005	Warning Label (FR/SP)	1
32	941263102	Data Label	1
33	941263103	QR Label	1
34	940657185	Icon Warning Label	1
35	940705491	RYOBI Logo Label (52 mm)	2
	Not Shown:		
	998000700	Operator's Manual	

*** Standard Hardware Item – May Be Purchased Locally at The Home Depot



WIRING DIAGRAM