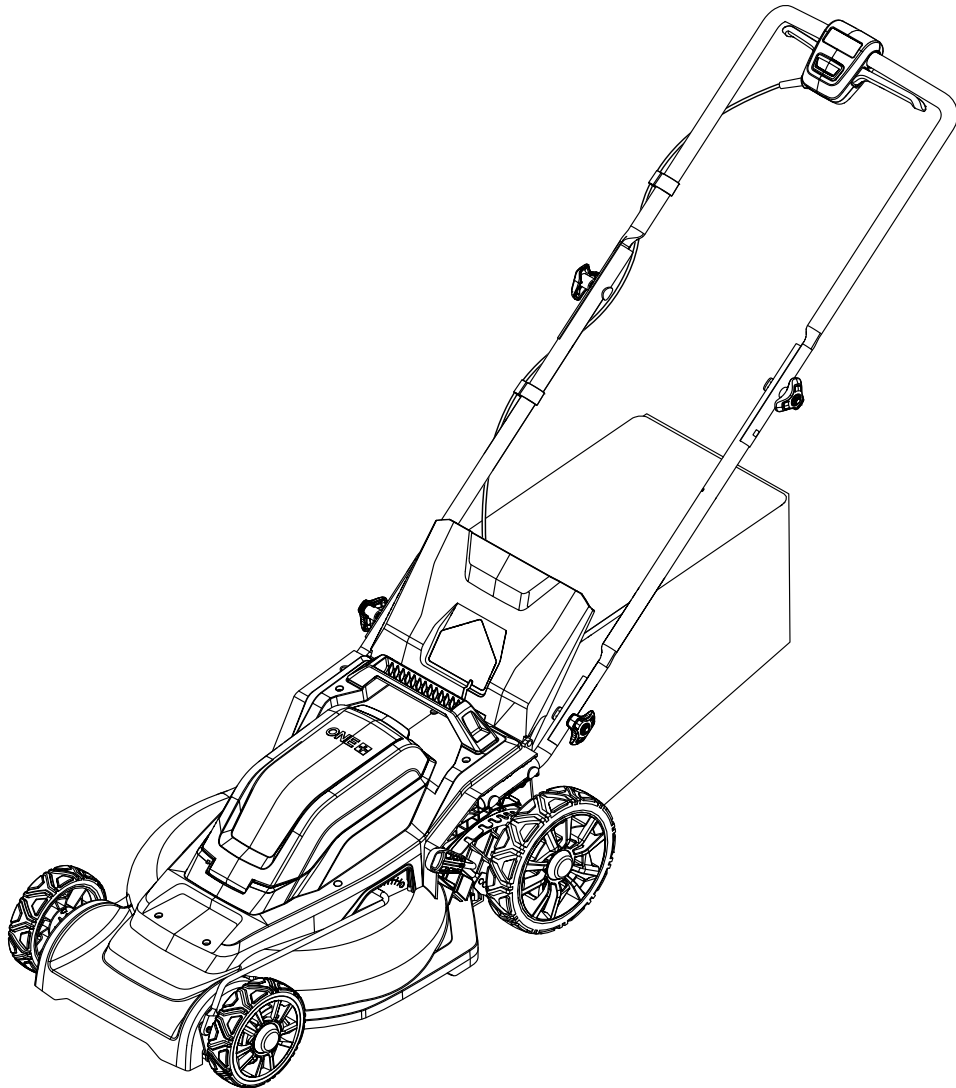


REPAIR SHEET

BRAND RYOBI		DESCRIPTION 18 Volt 16 in. Lawn Mower
MODEL NO. P1109VNM	MFG. NO. 108626001	

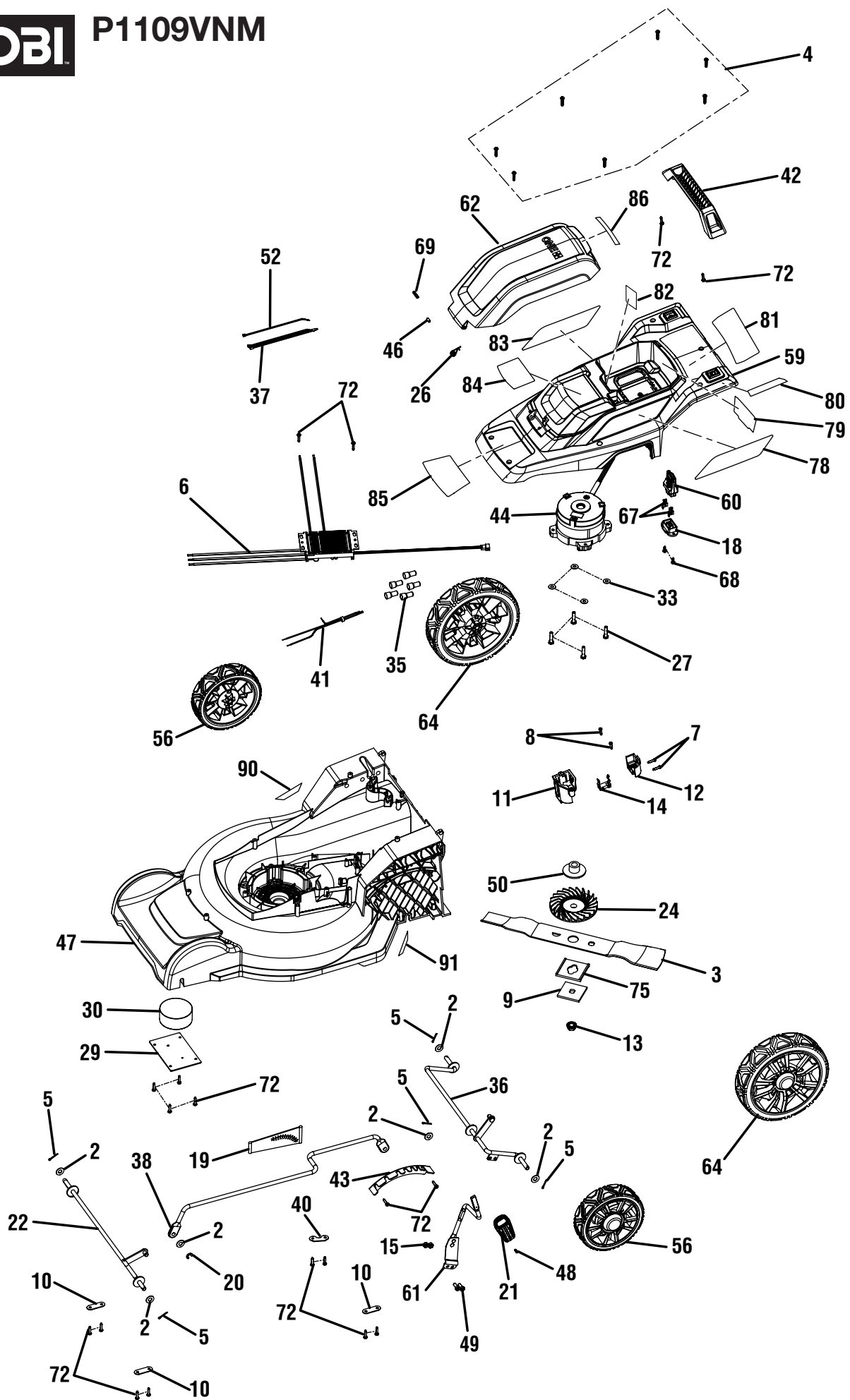


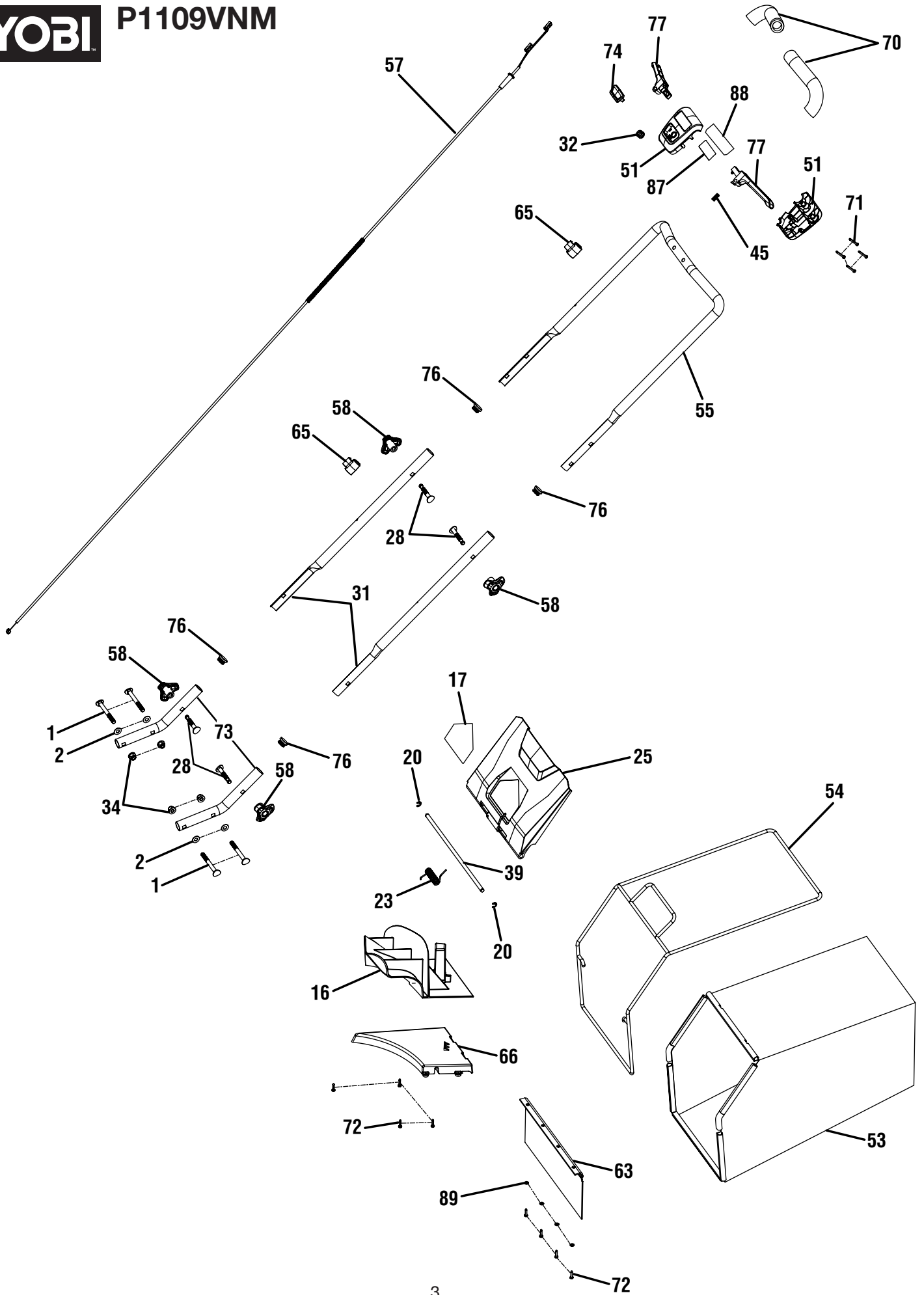
TECHTRONIC INDUSTRIES POWER EQUIPMENT

P.O. Box 1288, Anderson, SC 29622 ■ 1-800-525-2579 ■ www.ryobitools.com

1-5-21 (Rev:02)

The model number and manufacturing location will be found on a label attached to the product. Always mention this information in all communications regarding this product and when ordering parts.





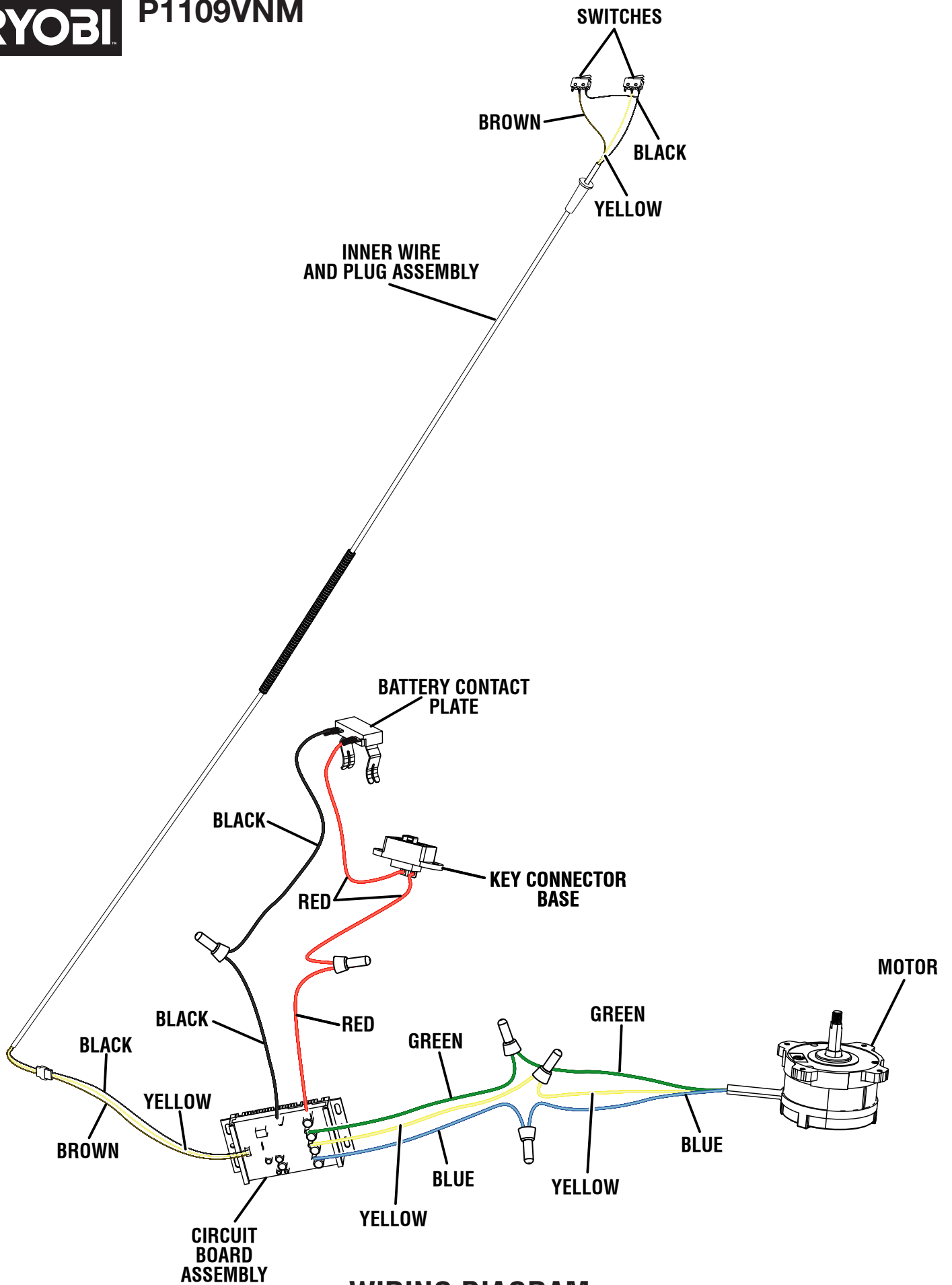


P1109VNM

PARTS LIST

KEY NO.	PART NO.	DESCRIPTION	QTY.
1	662104003	Screw (M8 x 80 mm, Hex. Recess Hd.)	4
2	639013001	Flat Washer (ID8.4 x OD18 x 1t)	10
3	682489001	16 in. Blade	1
4	660563002	Screw (M4.2 x 19 mm, T20 Torx Hd.)	7
5	678279004	Cotter Pin	5
6	281145001	Circuit Board Assembly	1
7	660203068	Screw (M3 x 18 mm, T15 Torx Pan Hd.)	2
8	662028001	Screw (M4 x 16 mm, T15 Torx Pan Hd.)	2
9	639118001	Blade Retainer	1
10	639116003	Axle Press Plate	3
11	526978001	18V Battery Holder	1
12	526979001	18V Battery Holder Cover	1
13	679075001	Hex Nut (M10)	1
14	300001081	Battery Contact Holder Assembly	1
15	678460002	Lock Nut (M6)	2
16	541542001	Mulching Plug	1
17	941641001	CPSC No Hands Label	1
18	526912001	Key Connector Base	1
19	565765001	Dust Proof Plate	1
20	678880001	E-Ring	3
21	542077001	Height Adjustment Knob	1
22	622744001	Front Wheel Axle	1
23	679076001	Rear Door Torsion Spring	1
24	535080002	Fan Blade Adapter	1
25	317269001	Rear Door Assembly (Inc. Key No. 17)	1
26	698356001	Battery Door Torsion Spring	1
27	660722002	Screw (M6 x 26 mm, Hex Hd.)	4
28	662426001	Screw w/Square Shoulder (M8 x 57 mm)	4
29	659533001	Metal Plate	1
30	622749001	Weight Plate	1
31	698856001	Lower Handle Tube	2
32	699177001	Spring	1
33	638557001	Washer (OD15 x ID6.2 x 0.8t)	4
34	678774012	Flange Nut (M8)	4
35	870290001	Close-End Connector	5
36	622745001	Rear Wheel Axle	1
37	790055001	Cable Tie	1
38	622746001	Linkage	1
39	622753001	Rear Door Axle	1
40	659586001	Axle Press Plate	1
41	292180005	Inner Wire	1
42	541540001	Handle	1
43	659394001	Plate	1
44	742635003	Motor	1
45	694991001	Trigger Spring	1
46	621628001	Battery Door Axle	1
47	205496001	Deck Assembly (Inc. Key Nos. 90-91)	1

KEY NO.	PART NO.	DESCRIPTION	QTY.
48	664021001	Screw (M3 x 9 mm, Phillips Hd.)	1
49	661431003	Screw (M6 x 15 mm, Hex Recess Hd.)	1
50	639120001	Motor Axle Bushing	1
51	317268001	Switch Box Assembly (Inc. Key Nos. 87-88)	1
52	790002001	Cable Tie	1
53	906042001	Grass Bag	1
54	622767001	Grass Bag Frame	1
55	698855001	Upper Handle Tube	1
56	316712001	6 in. Wheel Assembly	2
57	292236002	Inner Wire and Plug Assembly	1
58	541821001	Wing Nut w/Insert (M8)	4
59	317267001	Top Cover Assembly (Inc. Key Nos. 78-85)	1
60	311280001	Key Assembly	1
61	622748001	Height Adjustment Handle	1
62	317266001	Battery Cover Assembly (Inc. Key No. 86)	1
63	535384001	Trailing Shield Guard	1
64	316714001	8 in. Wheel Assembly	2
65	541431001	Cable Clip	2
66	541541001	Rear Discharge Baffle	1
67	639178001	Female Terminal for Key Assembly	2
68	660608001	Screw (M4 x 12 mm, T20 Torx Pan Hd.)	2
69	679073001	Battery Door Press Spring	1
70	563452003	Foam Tube	2
71	660208104	Screw (M4 x 30 mm, T15 Torx Pan Hd.)	4
72	661189003	Screw (M4 x 18 mm, T20 Torx Pan Hd.)	26
73	698854002	Deck Tube	2
74	541873003	Safety Button	1
75	526920002	Spacer	1
76	529330002	Tube End Plug	4
77	317270001	Trigger Assembly	1
78	940851641	ONE+ HP Logo Label (Left)	1
79	940851642	Start Key Warning Label	1
80	940851645	Deck Height Adjustment Label	1
81	941016122	Danger (ENG/FR)/Warning Label (Trilingual)	1
82	941588760	Data Label	1
83	940851640	ONE+ HP Logo Label (Right)	1
84	941016124	Warning Label (SP)	1
85	940851644	Front Logo Label	1
86	941016118	Icon Label	1
87	940705492	Handle Logo Label	1
88	940851634	Instruction Label	1
89	636062001	Flat Washer (ID4.5 x OD10 x 1t)	4
90	940779343	16 in. Callout Label (Right)	1
91	940779344	16 in. Callout Label (Left)	1
	Not Shown:		
	998000291	Operator's Manual	



WIRING DIAGRAM