



REGISTER YOUR TOOLS
<http://register.ryobitools.com>
 1-800-860-4050

OPERATOR'S MANUAL

MANUEL D'UTILISATION
 MANUAL DEL OPERADOR

18 VOLT 16 in. HYBRID
 LAWN MOWER

TONDEUSE HYBRIDE
 DE 406,4 mm (16 po), 18 V

PODADORA HÍBRIDA
 DE 406,4 mm (16 pulg.), 18 V

P1102



TABLE OF CONTENTS

- Important Safety Instructions..... 2-4
- Electrical (AC).....5
- Symbols 6-7
- Features8
- Assembly 9-10
- Operation 11-12
- Maintenance 13-14
- Troubleshooting 15
- Parts Ordering/Service..... Back Page

TABLE DES MATIÈRES

- Instructions importantes concernant la sécurité 2-4
- Caractéristiques électriques (c.a.).....5
- Symboles 6-7
- Caractéristiques8
- Assemblage 9-10
- Utilisation 11-12
- Entretien 13-14
- Dépannage..... 15
- Commande de pièces/ réparation..... Page arrière

ÍNDICE DE CONTENIDO

- Instrucciones de seguridad importantes 2-4
- Aspectos eléctricos (corr. alt.).....5
- Símbolos 6-7
- Características8
- Armado 9-10
- Funcionamiento 11-12
- Mantenimiento 13-14
- Corrección de problemas 15
- Pedidos de piezas/ servicio..... Pág. posterior

⚠ WARNING: To reduce the risk of injury, the user must read and understand the operator's manual before using this product.

⚠ AVERTISSEMENT : Pour réduire les risques de blessures, l'utilisateur doit lire et veiller à bien comprendre le manuel d'utilisation avant d'employer ce produit.

⚠ ADVERTENCIA: Para reducir el riesgo de lesiones, el usuario debe leer y comprender el manual del operador antes de usar este producto.

SAVE THIS MANUAL FOR FUTURE REFERENCE

CONSERVER CE MANUEL POUR FUTURE RÉFÉRENCE

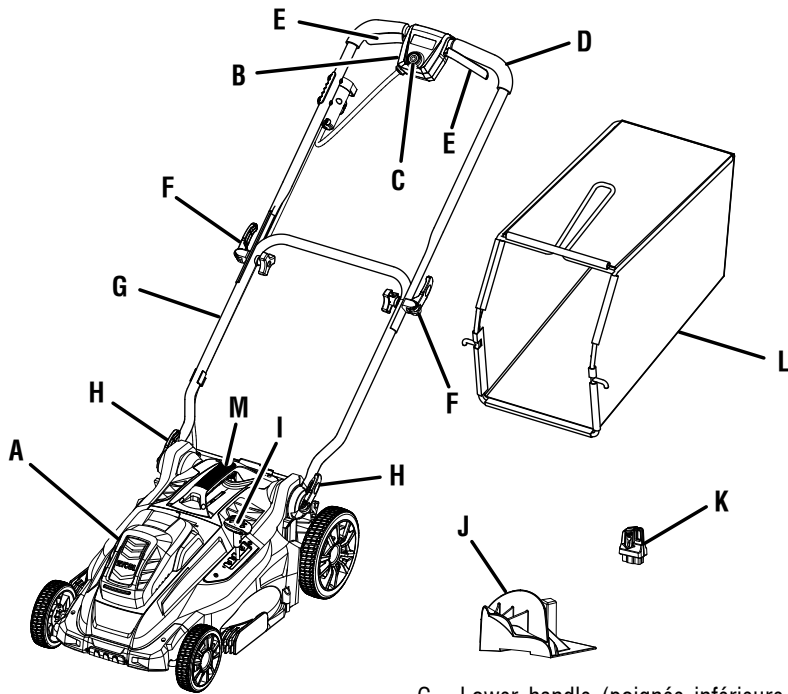
GUARDE ESTE MANUAL PARA FUTURAS CONSULTAS

See this fold-out section for all of the figures referenced in the operator's manual.

Consulter l'encart à volets afin d'examiner toutes les figures mentionnées dans le manuel d'utilisation.

Consulte esta sección desplegable para ver todas las figuras a las que se hace referencia en el manual del operador.

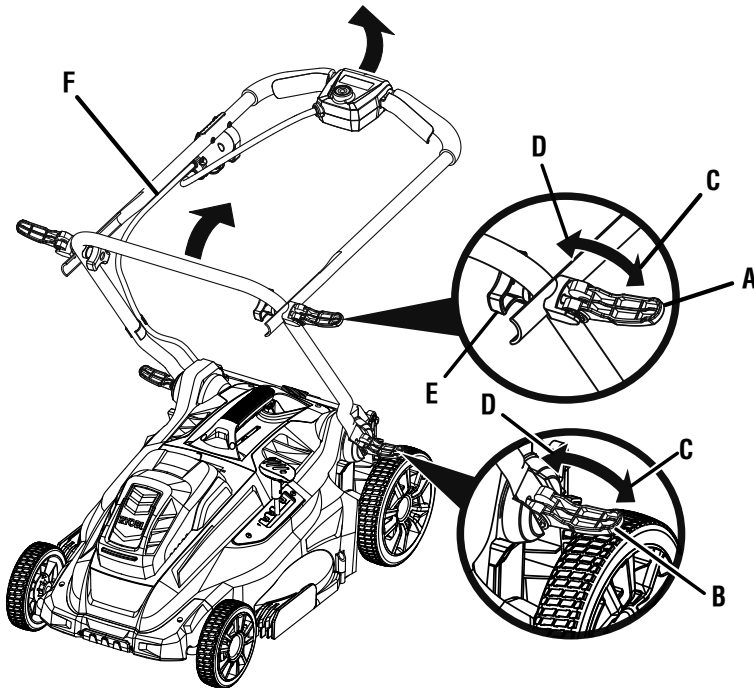
Fig. 1



- A - Battery cover (couverture des piles, tapa de las baterías)
- B - Motor/blade control assembly (dispositif de commande du moteur/de la lame, conjunto de control del motor/hoja)
- C - Start button (bouton « Start » [démarrer], botón de arranque)
- D - Upper handle (poignée supérieure, mango superior)
- E - Blade control levers (levier de commande de la lame, palanca de control de la hoja)
- F - Upper handle lock (verrou de la poignée supérieure, seguro del mango superior)

- G - Lower handle (poignée inférieure, mango inferior)
- H - Lower handle lock (verrou de la poignée inférieure, seguro del mango inferior)
- I - Height adjustment lever (levier de réglage de la hauteur, palanca de ajuste de altura)
- J - Mulching plug (insert broyeur, tapón para trituración)
- K - Start key (clé de démarrage, llave de arranque)
- L - Grass catcher (collecteur d'herbe, receptor de hierba)
- M - Carrying handle (poignée de transport, mango de acarreo)

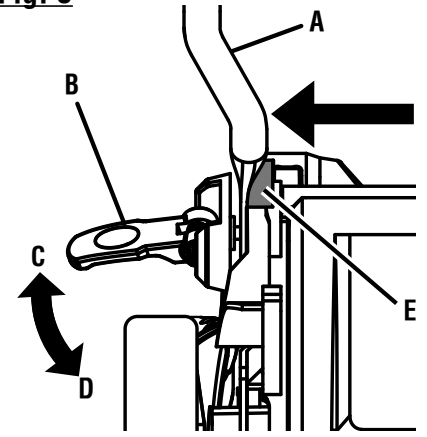
Fig. 2



- A - Upper handle lock (verrou de la poignée supérieure, seguro del mango superior)
- B - Lower handle lock (verrou de la poignée inférieure, seguro del mango inferior)
- C - Open (ouvrir, abra)

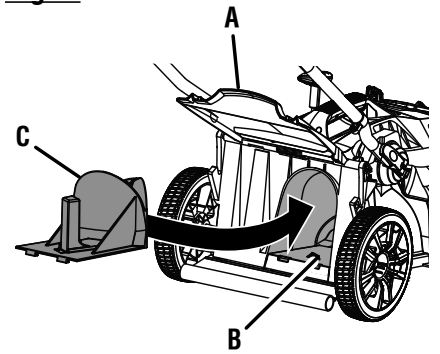
- D - Close (fermeture, cerrar)
- E - Knob (bouton, perilla)
- F - Starter cable (câble de démarreur, cable del arrancador)

Fig. 3



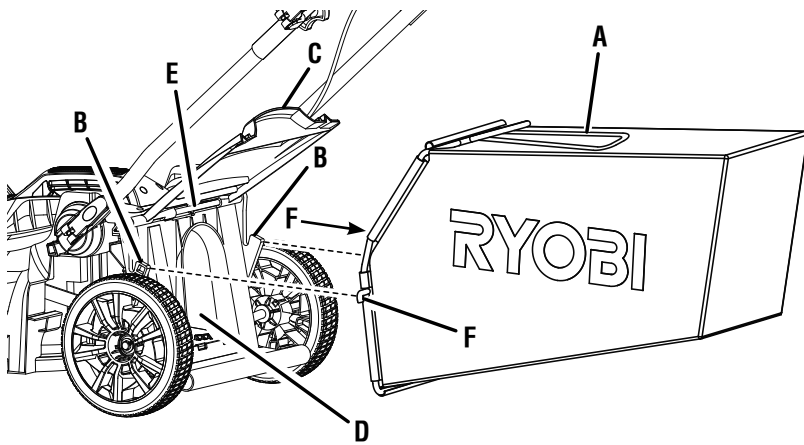
- A - Lower handle (poignée inférieure, mango inferior)
- B - Lower handle lock (verrou de la poignée inférieure, seguro del mango inferior)
- C - Loosen (desserrer, aflojar)
- D - Tighten (serrer, apriete)
- E - Slot (fente, ranura)

Fig. 4



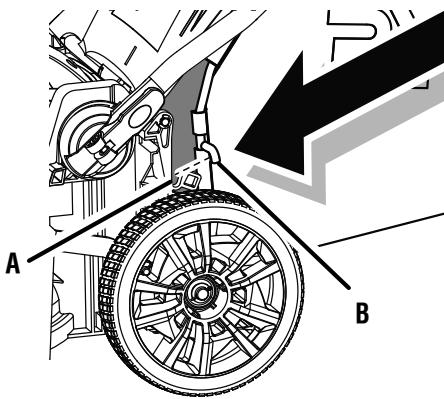
- A - Rear discharge door (couverture d'éjection arrière, puerta de descarga posterior)
- B - Rear discharge opening (ouverture d'éjection arrière, abertura de descarga posterior)
- C - Mulching plug (insert broyeur, tapón para trituración)

Fig. 5



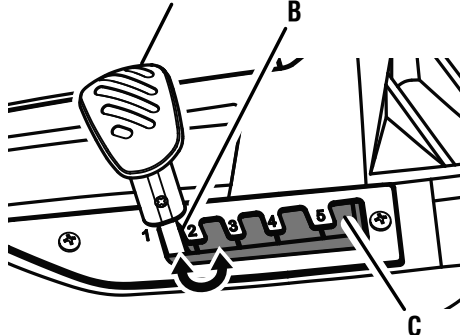
- A - Grass catcher handle (poignée de collecteur d'herbe, mango del receptor de hierba)
- B - Slots (fentes, ranuras)
- C - Rear discharge door (couverture d'éjection arrière, puerta de descarga posterior)
- D - Rear discharge opening (ouverture d'éjection arrière, abertura de descarga posterior)
- E - Door rod (barre de couvercle, barra de la puerta)
- F - Hooks (crochets, ganchos)

Fig. 6



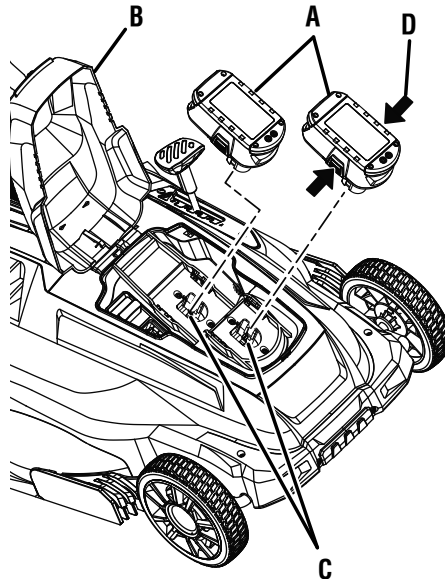
- A - Slots (fentes, ranuras)
- B - Hooks (crochets, ganchos)

Fig. 7



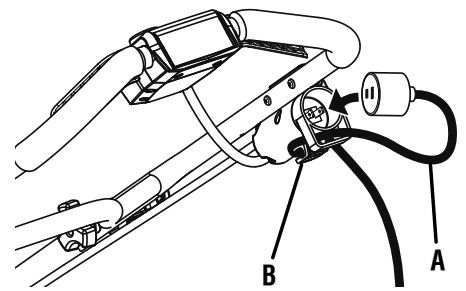
- A - Height adjustment lever (levier de réglage de la hauteur, palanca de ajuste de altura)
- B - Lowest blade setting (le plus bas réglage de la lame, ajuste más bajo de la hoja)
- C - Highest blade setting (le plus haut réglage de la lame, ajustes de cuchilla más alto)

Fig. 8



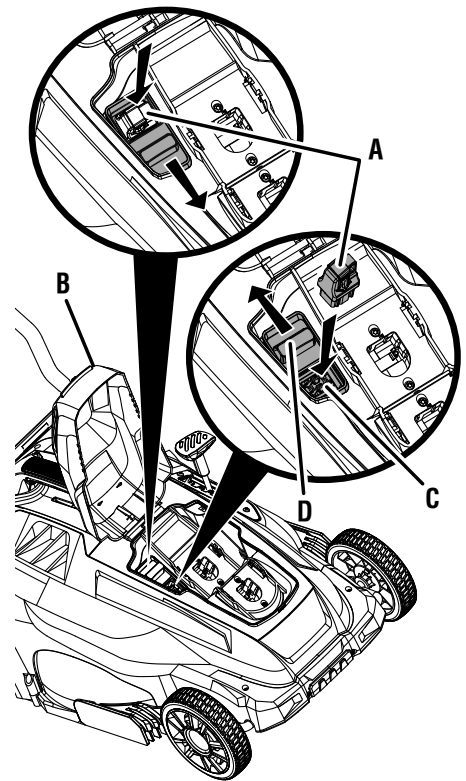
- A - Battery packs (bloc-piles, paquete de baterías)
- B - Battery cover (couverture des piles, tapa de las baterías)
- C - Battery ports (logements de piles, receptáculos para baterías)
- D - Latch (loquet, pestillo)

Fig. 9



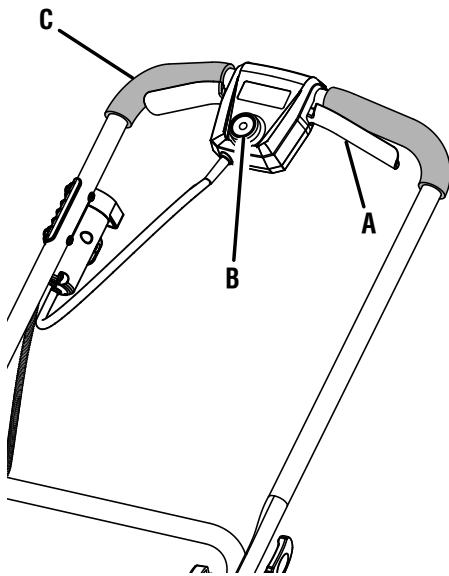
- A - Extension cord (cordon prolongateurs, cordón de extensión)
- B - Cord retainer (retenue de cordon, retén para el cable)

Fig. 10



- A - Start key (clé de démarrage, llave de arranque)
- B - Battery cover (couverture des piles, tapa de las baterías)
- C - Start key slot (fente de la clé de démarrage, ranura de la llave de arranque)
- D - Power selection switch (commutateur du sélecteur de tension, selector de voltaje)

Fig. 11



- A - Blade control lever (levier de commande de la lame, palanca de control de la hoja)
- B - Start button (bouton « Start » [démarrer], botón de arranque)
- C - Upper handle (poignée supérieure, mango superior)

Fig. 12

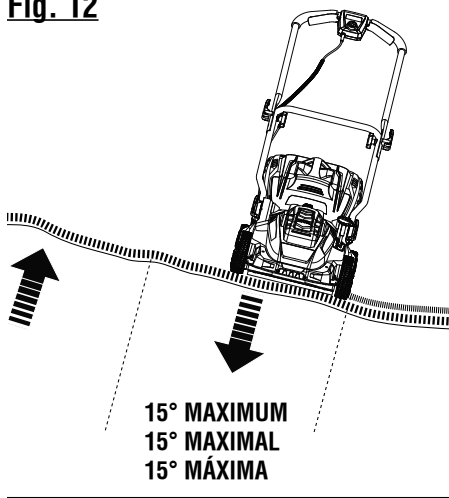


Fig. 13

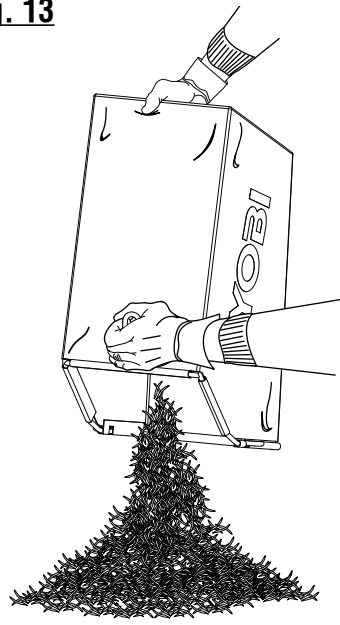
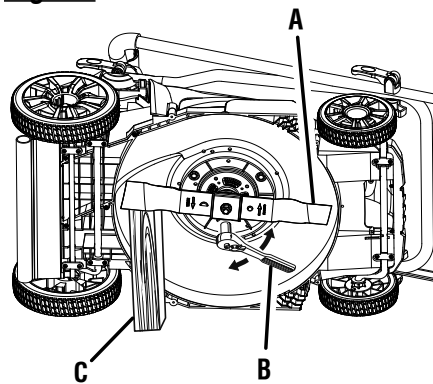
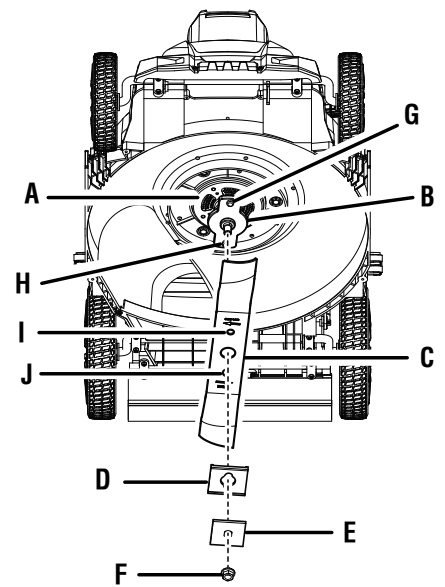


Fig. 14



- A - Blade (lame, hoja)
- B - Wrench (clé, llave)
- C - Block of wood (pièce de bois, bloque de madera)

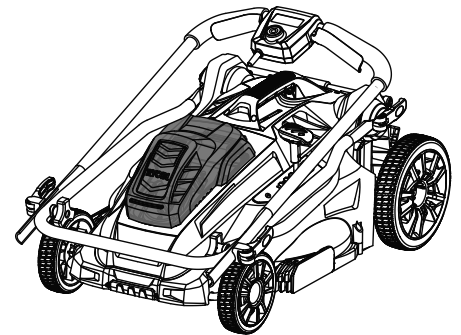
Fig. 15



- A - Motor (moteur, motor)
- B - Shaft (arbre, eje)
- C - Blade (lame, hoja)
- D - Blade insulator (isolant de lame, aislante de hoja)
- E - Spacer (entretoise, separador)
- F - Blade nut (écrou de lame, tuerca de la hoja)
- G - Blade post (round) [tiges pour lame (ronde), montantes de cuchilla (Redondo)]
- H - Blade post (half circle) [tige pour lame (demi-cercle), puerto de la hoja (semicircular)]
- I - Blade hole (round) [trou pour lame (ronde), orificio de la hoja (redondo)]
- J - Blade hole (half circle) [trou pour lame (demi-cercle), orificio de la hoja (semicircular)]

Fig. 16

**TO STORE THE MACHINE
POUR REMISER L'ÉQUIPEMENT
PARA GUARDAR LA MÁQUINA**



IMPORTANT SAFETY INSTRUCTIONS



WARNING:

READ AND UNDERSTAND ALL INSTRUCTIONS.

Failure to follow all instructions listed below and on the machine may result in electric shock, fire, and/or serious personal injury.

READ ALL INSTRUCTIONS

- This cutting machine is capable of amputating hands and feet and throwing objects. Failure to observe all safety instructions could result in serious injury or death.
- Avoid dangerous environment — Do not use the lawn mower in damp or wet conditions or operate in the rain.
- Keep children away — Keep all bystanders, children, and pets at least 100 ft. away. Stop machine if anyone enters the area.
- Tragic accidents can occur if the operator is not alert to the presence of children. Children are often attracted to the machine and the mowing activity. Never assume that children will remain where you last saw them.
 - Keep children out of the mowing area and under the watchful care of a responsible adult other than the operator.
 - Be alert and turn mower off if a child enters the area.
 - Never allow children to operate the machine.
 - Use extra care when approaching blind corners, shrubs, trees, or other objects that may block your view of a child.
- Dress properly — Wear heavy, long pants, long sleeves, boots, and gloves. Do not wear loose fitting clothing, short pants, sandals, or go barefoot. Do not wear jewelry of any kind. They can be caught in moving parts.
- Don't overreach — Keep proper footing and balance at all times. Overreaching can result in loss of balance.
- Do not operate the equipment while barefoot or when wearing sandals or similar lightweight footwear. Wear protective footwear that will protect your feet and improve your footing on slippery surfaces.
- Do not leave the mower unattended while running or with the start key installed.
- Keep hands and feet away from cutting area. Keep clear of the discharge opening at all times.
- Operate the lawn mower only in daylight or good artificial light.
- Always wear safety glasses with side shields. Everyday glasses have only impact resistant lenses. They are NOT safety glasses. Following this rule will reduce the risk of eye injury. Use face mask if operation is dusty.
- Use safety glasses — Always wear eye protection with side shields marked to comply with ANSI Z87.1. Use face mask if operation is dusty.
- Use the right appliance — Do not use the lawn mower for any job except that for which it is intended.
- Do not force the lawn mower — It will do the job better and safer at the rate for which it was designed.
- Do not charge lawn mower in rain, or in wet locations.
- Stay alert — Watch what you are doing and use common sense when operating the lawn mower. Do not operate the mower while tired, upset or under the influence of drugs, alcohol, or medication. A moment of inattention while operating the lawn mower may result in serious personal injury.
- Maintain lawn mower with care — Keep machine in good working condition. Keep blades sharp and guards in place and in working order. Replace damaged or unevenly worn blades before using mower for best performance.
- Check all nuts, bolts, and screws at frequent intervals for proper tightness to be sure the equipment is in safe working condition. Mower blades are sharp. Wrap the blade or wear gloves, and use extra caution when servicing them.
- Do not dispose of the battery in a fire. The cell may explode. Check with local codes for possible special disposal instructions.
- Stop the motor, wait until the blade comes to a complete stop, and remove the start key and battery pack before performing any maintenance, cleaning the lawn mower, removing the grass catcher, or removing the mulching plug.
- **Never use a hose, water, or any liquids to clean or rinse off the lawn mower.** Corrosive liquids, water, fertilizers, and chemicals used to treat lawns can enter the lawn mower and/or battery compartment and damage electronic components and/or the battery pack, which can result in a short circuit, increased risk of fire, electric shock, and serious personal injury. Remove any buildup of grass and leaves on or around the mower housing and/or underneath the mower deck. Wipe the mower clean with a dry cloth occasionally.
- Replace blade if it is bent or cracked. An unbalanced blade causes vibration that could damage the motor drive unit or cause personal injury. Sharpen a dull blade equally at each end to maintain the balance. Clean the blade thoroughly and check its balance by supporting it horizontally on a thin nail through its center hole. The nail should be in a horizontal position. If either end of the blade rotates downward, remove some metal from the heavy end of lower end until the blade is balanced. It is balanced when neither end drops.
- When not in use, mower should be stored indoors in a dry, locked up place—out of the reach of children. The start key should also be removed and stored in a separate location out of the reach of children.

IMPORTANT SAFETY INSTRUCTIONS

- Always use safety protective devices. Do not operate the mower without the entire grass catcher, mulching plug and rear discharge door in place and working properly.
- Do not open or mutilate the battery. Released electrolyte is corrosive and may cause damage to the eyes or skin. It may be toxic if swallowed.
- Follow manufacturer's instructions for proper operation and installation of accessories. Only use accessories approved by the manufacturer.
- Exercise care in handling batteries in order not to short the battery with conducting materials such as rings, bracelets, and keys. The battery or conductor may overheat and cause burns.
- To reduce the risk of electric shock, this appliance has a polarized plug (one blade is wider than the other) and will require the use of a polarized extension cord. The appliance plug will fit into a polarized extension cord only one way. If the plug does not fit fully into the extension cord, reverse the plug. If the plug still does not fit, obtain a correct polarized extension cord. A polarized extension cord will require the use of a polarized wall outlet. This plug will fit into the polarized wall outlet only one way. If the plug does not fit fully into the wall outlet, reverse the plug. If the plug still does not fit, contact a qualified electrician to install the proper wall outlet. Do not change the equipment plug, extension cord receptacle, or extension cord plug in any way.
- Ground Fault Circuit Interrupter (GFCI) protection should be provided on the circuit(s) or outlet(s) to be used for the lawn mower. Receptacles are available having built-in GFCI protection and may be used for this measure of safety.
- Inspect lawn mower cord periodically and if damaged, have it repaired by an authorized service facility. Inspect extension cords periodically and replace if damaged. Keep handles dry, clean, and free from oil and grease.
- Warning — To prevent electric shock use only with an extension cord suitable for outdoor use, such as SW, SOW, STW, STOW, SJW, SJOW, SJTW, or SJTOW.
- Extension Cord — Make sure your extension cord set is in good condition. When using an extension cord, be sure to use one heavy enough to carry the current your product will draw. For lengths less than 50 feet, No. 14 AWG extension cord should be used. An undersized cord will cause a drop in line voltage resulting in loss of power and overheating. To reduce the likelihood of disconnection of lawn mower cord from the cord set during operating use the cord retainer described in this manual (Figure 9).
- Don't Abuse Cord — Never pull lawn mower by cord or yank it to disconnect from receptacle. Keep cord from heat, oil, and sharp edges.
- Risk of death or serious personal injury if power lines or electric cords are contacted. Never operate mower over electrical sources, cords, or wires.
- Clear the work area before each use. Remove all objects such as rocks, sticks, metal, wire, bones, toys, or other objects which can be thrown by the blade. Stay behind the handle when the motor is running.
- Avoid holes, ruts, bumps, rocks, property stakes, or other hidden objects. Uneven terrain could cause a slip and fall accident.
- Do not mow near drop-offs, ditches, or embankments.
- Mow across the face of slopes, never up and down. Exercise extreme caution when changing direction on slopes.
- Plan your mowing pattern to avoid discharge of material toward roads, sidewalks, bystanders and the like. Also, avoid discharging material against a wall or obstruction, which may cause the material to ricochet back toward the operator.
- Do not mow on wet grass or excessively steep slopes. Poor footing could cause a slip and fall accident. Walk, never run.
- Use extra care when approaching blind corners, shrubs, trees, or other objects that may block your view.
- Do not pull the mower backward unless absolutely necessary. If you must back the mower away from a wall or obstruction, first look down and behind to avoid tripping or pulling the mower over your feet.
- Never direct discharged material toward anyone. Avoid discharging material against a wall or obstruction. Material may ricochet back toward the operator. Stop the blade when crossing gravel surfaces.
- Objects struck by the lawn mower blade can cause severe injuries to persons. The lawn should always be carefully examined and cleared of all objects prior to each mowing.
- If the lawn mower strikes a foreign object, follow these steps:
 - Stop the lawn mower by releasing the blade control lever, wait until the blade comes to a complete stop, and disconnect power cord
 - Remove start key.
 - Thoroughly inspect the mower for any damage.
 - Replace the blade if it is damaged in any way. Repair any damage before restarting and continuing to operate the mower.
- Stop the motor, wait until the blade comes to a complete stop, remove battery packs, disconnect from power supply, and remove start key before unclogging the chute. The cutting blade continues to rotate for a few seconds after the motor is shut off. Never place any part of the body in the blade area until you are sure the blade has stopped rotating.
- If the mower should start to vibrate abnormally, stop the motor and check immediately for the cause. Replace

IMPORTANT SAFETY INSTRUCTIONS

the blade if it is unevenly worn or damaged in any way. Vibration is generally a warning of trouble.

- Service on the product must be performed by qualified repair personnel only. Service or maintenance performed by unqualified personnel could result in injury to the user or damage to the product.
- Use only authorized replacement parts when servicing the product. Use identical replacement blades only. Use of unauthorized parts may create a risk of serious injury to the user, or damage to the product.
- Maintain or replace safety instructions labels, as necessary.
- Disconnect from power supply or remove batteries and remove start key — Disconnect battery packs or power supply and remove start key from the appliance before storing, servicing, or changing accessories such as blades. Such preventive safety measures reduce the risk of starting the tool accidentally.
- Stop the unit, disconnect from power supply, remove batteries and start key when not in use. Carry or push the unit with the motor stopped and the start key removed from the mower.
- Battery tools do not have to be plugged into an electrical outlet; therefore, they are always in operating condition. Be aware of possible hazards when not using your battery tool or when changing accessories. Following this rule will reduce the risk of electric shock, fire, or serious personal injury.
- Do not use battery-operated appliance in rain.
- Remove or disconnect battery before servicing, cleaning or removing material from the gardening appliance.
- Use this product only with batteries and chargers listed in tool/appliance/battery pack/charger correlation supplement 987000-432.
- Store idle lawn mower indoors — When not in use, mower should be stored indoors in a dry, locked place out of the reach of children. The start key and battery packs should also be removed and stored in a separate location out of the reach of children.
- Follow instructions for lubricating and changing accessories.
- Keep guards in place and in working order.
- Keep blades sharp.
- Keep hands and feet away from cutting area.
- Only allow responsible adults, who are familiar with the instructions, to operate this machine.
- Never operate machine in a closed area.
- Never tamper with safety devices. Check for proper operation regularly.
- Save these instructions. Refer to them frequently and use them to instruct others who may use this product. If you loan someone this tool, loan them these instructions also.

ELECTRICAL (AC)

DOUBLE INSULATION

Double insulation is a concept in safety in electric power tools, which eliminates the need for the usual three-wire grounded power cord. All exposed metal parts are isolated from the internal metal motor components with protecting insulation. Double insulated tools do not need to be grounded.

WARNING:

The double insulated system is intended to protect the user from shock resulting from a break in the tool's internal insulation. Observe all normal safety precautions to avoid electrical shock.

NOTE: Servicing of a product with double insulation requires extreme care and knowledge of the system and should be performed only by a qualified service technician. For service, we suggest you return the tool to your nearest authorized service center for repair. Always use original factory replacement parts when servicing.

ELECTRICAL CONNECTION

This product has a precision-built electric motor. It should be connected to a **power supply that is nominal 120V/60Hz AC (typical U.S. household circuit)**. Except with battery pack installed, a substantial voltage drop will cause a loss of power and the motor will overheat. If your product does not operate when plugged into an outlet, double-check the power supply.

GFCI

Ground Fault Circuit Interrupter (GFCI) protection should be provided on the circuit(s) or outlet(s) to be used for the product. Receptacles are available having built-in GFCI protection and may be used for this measure of safety.

EXTENSION CORDS

When using a power product at a considerable distance from a power source, be sure to use an extension cord that has the capacity to handle the current the product will draw. An undersized cord will cause a drop in line voltage, resulting in overheating and loss of power. Use the chart to determine the minimum wire size required in an extension cord. Only round jacketed cords listed by Underwriter's Laboratories (UL) should be used.

When working outdoors with a product, use an extension cord that is designed for outside use. This type of cord is designated with "W-A" or "W" on the cord's jacket such as an extension cord of cord type SW-A, SOW-A, STW-A, STOW-A, SJW-A, SJOW-A, SJTW-A. or SJTOW-A..

Before using any extension cord, inspect it for loose or exposed wires and cut or worn insulation.

Make sure the extension cord is securely attached as shown in Figure 9, then connect the plug end of the power cord into the receptacle end of the extension cord. Check that connection is secure.

**Ampere rating (on product data plate)

Cord Length	Wire Size (A.W.G.)					
	0-2.0	2.1-3.4	3.5-5.0	5.1-7.0	7.1-12.0	12.1-16.0
25'	16	16	16	16	14	14
50'	16	16	16	14	14	12
100'	16	16	14	12	10	—

**Used on 12 gauge - 20 amp circuit

NOTE: AWG = American Wire Gauge

WARNING:

Keep the extension cord clear of the working area. Position the cord so that it will not get caught on lumber, tools, or other obstructions while you are working with a power tool. Failure to do so can result in serious personal injury.

WARNING:

Check extension cords before each use. If damaged replace immediately. Never use product with a damaged cord since touching the damaged area could cause electrical shock resulting in serious injury.




To reduce the risk of electric shock, this appliance has a polarized plug (one blade is wider than the other) and will require the use of a polarized extension cord. The appliance plug will fit into a polarized extension cord only one way. If the plug does not fit fully into the extension cord, reverse the plug. If the plug still does not fit, obtain a correct polarized extension cord. A polarized extension cord will require the use of a polarized wall outlet. This plug will fit into the polarized wall outlet only one way. If the plug does not fit fully into the wall outlet, reverse the plug. If the plug still does not fit, contact a qualified electrician to install the proper wall outlet. Do not change the equipment plug, extension cord receptacle, or extension cord plug in any way.

WARNING:










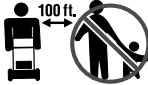
To reduce the risk of electric shock, use only with an extension cord intended for outdoor use, such as an extension cord of cord type SW-A, SOW-A, STW-A, STOW-A, SJW-A, SJOW-A, SJTW-A. or SJTOW-A.

SYMBOLS

The following signal words and meanings are intended to explain the levels of risk associated with this product.




SYMBOL	SIGNAL	MEANING
	DANGER:	Indicates a hazardous situation, which, if not avoided, will result in death or serious injury.
	WARNING:	Indicates a hazardous situation, which, if not avoided, could result in death or serious injury.
	CAUTION:	Indicates a hazardous situation, that, if not avoided, may result in minor or moderate injury.
	NOTICE:	(Without Safety Alert Symbol) Indicates information considered important, but not related to a potential injury (e.g. messages relating to property damage).

Some of the following symbols may be used on this product. Please study them and learn their meaning. Proper interpretation of these symbols will allow you to operate the product better and safer.

SYMBOL	NAME	DESIGNATION/EXPLANATION
	Safety Alert	Indicates a potential personal injury hazard.
	Read Operator's Manual	To reduce the risk of injury, user must read and understand operator's manual before using this product.
	Eye Protection	Always wear eye protection with side shields marked to comply with ANSI Z87.1.
	Do Not Mow Over Electric Cords	Risk of death or serious personal injury if power lines or electric cords are contacted. Never operate mower over electrical sources, cords, or wires.
	Wet Conditions Alert	Risk of fire and burns. Do not expose battery, battery compartment, or electronic components to rain, water, or liquids. Close cover during use. Do not operate on wet ground.
	Electric Shock	Failure to use in dry conditions and to observe safe practices can result in electric shock.
	Keep Hands and Feet Away	Keep hands and feet away from blade and cutting area.
	No Reach	Do not reach hands or feet under mower deck.
	No Slope	Do not operate on inclines greater than 15°. Mow across the face of slopes, never up and down.
	Keep Children and Bystanders Away	Keep all children and bystanders at least 100 ft. away.

SYMBOLS

Some of the following symbols may be used on this product. Please study them and learn their meaning. Proper interpretation of these symbols will allow you to operate the product better and safer.

SYMBOL	NAME	DESIGNATION/EXPLANATION
	Ricochet	Thrown objects can ricochet and result in personal injury or property damage.
	Recycle Symbol	This product uses lithium-ion (Li-ion) batteries. Local, state, or federal laws may prohibit disposal of batteries in ordinary trash. Consult your local waste authority for information regarding available recycling and/or disposal options.
V	Volts	Voltage
A	Amperes	Current
Hz	Hertz	Frequency (cycles per second)
W	Watt	Power
hrs	Hours	Time
≡	Direct Current	Type or a characteristic of current
~	Alternating Current	Type of current
	Class II Tool	Double-insulated construction

FEATURES

PRODUCT SPECIFICATIONS

Motor 18 V DC
nominal 120V/60Hz AC only, 7 Amps
Cutting Path 16 in.

Height Adjustments 1.25 in. to 3.5 in.
Wheel Size 6 in. front, 8 in. rear

KNOW YOUR LAWN MOWER

See Figure 1.

The safe use of this product requires an understanding of the information on the product and in this operator's manual as well as a knowledge of the project you are attempting. Before use of this product, familiarize yourself with all operating features and safety rules.

BATTERY COVER

The battery cover protects the battery port from moisture and debris.

BRUSHLESS MOTOR

This product features a brushless motor that maximizes power and performance as well as battery run time.

CARRYING HANDLE

The lawn mower has a carrying handle for easy transport.

CORD RETAINER

A convenient cord retainer helps keep the extension cord connection secure during AC operation.

DUAL BATTERY PORTS

This product features dual battery ports to maximize power and minimize down time during operation. The batteries work in tandem to deliver consistent power to the unit during operation.

GRASS CATCHER

The grass catcher collects grass clippings and prevents them from being discharged across your lawn as you mow.

HEIGHT ADJUSTMENT LEVER

The height adjustment lever provides cutting height adjustments.

MOTOR/BLADE CONTROL ASSEMBLY

The motor/blade control assembly, located on the upper handle of the mower, engages and disengages the motor and blade.

MULCHING PLUG

Your mower is equipped with a mulching plug that covers the rear discharge opening, which allows the mower blade to cut and recut for finer clippings.

START KEY

The start key must be inserted before the mower can be started.

ASSEMBLY

UNPACKING

This product requires assembly.

- Carefully remove the product and any accessories from the box. Make sure that all items listed in the packing list are included.

WARNING:

Do not use this product if any parts on the Packing List are already assembled to your product when you unpack it. Parts on this list are not assembled to the product by the manufacturer and require customer installation. Use of a product that may have been improperly assembled could result in serious personal injury.

- Inspect the product carefully to make sure no breakage or damage occurred during shipping.
- Do not discard the packing material until you have carefully inspected and satisfactorily operated the product.
- If any parts are damaged or missing, please call 1-800-860-4050 for assistance.

WARNING:

If any parts are damaged or missing, do not operate this product until the parts are replaced. Use of this product with damaged or missing parts could result in serious personal injury.

WARNING:

Do not attempt to modify this product or create accessories not recommended for use with this product. Any such alteration or modification is misuse and could result in a hazardous condition leading to possible serious personal injury.

WARNING:

Do not insert start key, battery packs or connect to power supply until assembly is complete and you are ready to mow. Failure to comply could result in accidental starting and possible serious personal injury.

WARNING:

To prevent accidental starting, do not make any adjustments or installations with the start key or battery pack inserted, or the power supply connected. Accidental starting of the mower during assembly could result in serious personal injury.

WARNING:

Never operate the mower without the proper safety devices in place and working. Never operate the mower with damaged safety devices. Operating the mower with missing or damaged parts can result in serious personal injury.

PACKING LIST

Lawn Mower
Start Key
Mulching Plug
Grass Catcher
Operator's Manual

UNFOLDING AND ADJUSTING HANDLE ASSEMBLY

See Figures 2 - 3.

To raise handle assembly:

- Open the lower handle locks.
- Pull up and back on the lower handle until it is aligned with the slot between the handle locks and the mower housing.
NOTE: If the lower handle is difficult to move, turn the lower handle locks counterclockwise to free the handle.
- To secure the lower handle in place, close the lower handle locks.
NOTE: If the lower handle is loose or does not seat completely in the slot, turn the lower handle locks clockwise to secure the handle.
- Open the upper handle locks.
- Pull up and back on the upper handle to raise it into operating position. Make sure that the lower handle is seated in the grooves at the bottom of the upper handle.

NOTICE:

Do not allow the starter cable to become pinched or trapped when raising the handle.

- To secure the upper handle in place, close the upper handle locks.
NOTE: If the upper handle is loose or separated from the lower handle, tighten the knobs on the upper handle locks by turning them clockwise.

To lower the handle assembly:

- Open the upper handle locks.
NOTE: If the handle lock is difficult to open, loosen the knobs on the upper handle locks by turning them counterclockwise.
- Lower the upper handle.
- Open the lower handle lock.

ASSEMBLY

- Push outward on each side of the lower handle until it is free from the slot. Then, fold the handle to the front of the unit. Avoid pinching or trapping any cables.

INSTALLING THE MULCHING PLUG (FOR MULCHING OPERATION)

See Figure 4.

NOTE: When using the mulching plug, do not install the grass catcher.

- Remove start key, battery packs, and disconnect power supply.
- Lift and hold the rear discharge door.
- Grasp the mulching plug by its handle and insert it at a slight angle, as shown.
- Push the mulching plug securely into place.
- Lower the rear discharge door.
- Reinstall start key and battery packs or connect to power supply when you are ready to mow.

INSTALLING THE GRASS CATCHER (FOR REAR BAGGING OPERATION)

See Figures 5 - 6.

NOTE: When using the grass catcher, do not install the mulching plug.

- Remove start key, battery packs, and disconnect power supply.

- Lift the rear discharge door.
- Lift the grass catcher by its handle and place under the rear discharge door so that the hooks on the grass catcher are seated onto the slots on the mower housing.
- Release the rear discharge door.
- Reinstall start key and battery packs or connect to power supply when you are ready to mow.

SETTING BLADE HEIGHT

See Figure 7.

When shipped, the wheels on the mower are set to a low-cutting position. Before using the mower for the first time, raise the cutting position to the height best suited for your lawn. The average lawn should be between 1-1/2 in. to 2 in. during cool months and between 2 in. and 3-1/4 in. during hot months.

To adjust the blade height:

- Remove start key, battery packs, and disconnect power supply.
- To raise the blade height, grasp the height adjustment lever and move it toward the back of the mower.
- To lower the blade height, grasp the height adjustment lever and move it toward the front of the mower.
- Reinstall start key and battery packs or connect to power supply when you are ready to mow.

OPERATION

DANGER:

Risk of death or serious personal injury if power lines or electric cords are contacted. Never operate mower over electrical sources, cords, or wires.

WARNING:

Do not allow familiarity with products to make you careless. Remember that a careless fraction of a second is sufficient to inflict serious injury.

WARNING:

Always wear eye protection with side shields marked to comply with ANSI Z87.1. Failure to do so could result in objects being thrown into your eyes resulting in possible serious injury.

WARNING:

Do not use any attachments or accessories not recommended by the manufacturer of this product. The use of attachments or accessories not recommended can result in serious personal injury.

WARNING:

Always inspect mower for missing or damaged parts and blade for damage, uneven, or excessive wear prior to use. Use of the mower with damaged or missing parts can result in serious personal injury.

WARNING:

Always disconnect power supply, remove battery packs, and start key from your tool when you are assembling parts, making adjustments, cleaning, or when not in use. Following these instructions will prevent accidental starting that could cause serious personal injury.

APPLICATIONS

You may use this product for the purpose listed below:

- Mowing your lawn

INSTALLING / REMOVING BATTERY PACK

See Figure 8.

To install:

- Raise the battery cover.
- Place the battery pack in the mower. Align raised ribs on battery pack with grooves in the mower's battery port.
- Make sure the latches on each side of the battery pack snap in place and that the battery pack is secured in the mower before beginning operation.

NOTICE:

When placing battery pack in the tool, be sure raised rib on battery pack aligns with the bottom of the tool and latches into place properly. Improper installation of the battery pack can cause damage to internal components.

NOTE: To avoid serious personal injury, always remove the battery pack and keep hands clear of the lock-out button when carrying or transporting the tool.

To remove:

- Locate the latches on the side of the battery pack and depress both sides to release the battery pack from the mower.

WARNING:

To avoid accidental starting that could result in serious personal injury, always remove the start key when moving or transporting the mower.

For complete charging instructions, see the operator's manuals for your battery pack and charger.

INSTALLING / REMOVING EXTENSION CORD

See Figure 9.

- Remove start key and battery packs.
- Insert the female end of the extension cord into the product as shown.
- Connect the male end of the extension cord to the power source.
- Make sure the extension cord is secured before beginning operation.

NOTICE:

Always use cord retainer to properly attach extension cord to lawn mower. Failure to use cord retainer may result in damage to lawn mower and/or extension cord.

OPERATION

STARTING/STOPPING THE MOWER

See Figures 10 - 11.

- Raise the battery cover.
- Slide power selection switch to the power source you intend to use.
- Install battery packs or connect to power supply.
NOTE: The unit will run with only one battery pack installed. Operating the unit with one battery pack will significantly decrease run time.
- Insert the start key into the slot beside the battery port.
- Lower the battery cover.
- Press and hold the start button. Pull the blade control levers toward the handle and release the button to start the mower.
- To stop the mower, release the blade control levers.

MOWING TIPS

- Make sure the lawn is clear of stones, sticks, wires, and other objects that could damage the lawn mower blades or motor. Do not mow over property stakes or other metal posts. Such objects could damage the blade or be accidentally thrown by the mower in any direction and cause serious personal injury to the operator and others.
- For a healthy lawn, always cut off one-third or less of the total length of the grass.
- When cutting heavy grass, reduce walking speed to allow for more effective cutting and a proper discharge of the clippings.
- Do not cut wet grass. It will stick to the underside of the deck and prevent proper bagging or mulching of grass clippings.
- New or thick grass may require a narrower cut or a higher cutting height.
- Clean the underside of the mower deck after each use to remove grass clippings, leaves, dirt, and any other accumulated debris.

NOTE: Always stop mower, allow blades to completely stop, remove the start key, remove the battery packs from the battery ports, and disconnect power supply before cleaning underneath the mower.

SLOPE OPERATION

See Figure 12.

WARNING:

Slopes are a major factor related to slip and fall accidents that can result in severe injury. Operation on slopes requires extra caution. If you feel uneasy on a slope, do not mow it. For your safety, do not attempt to mow slopes greater than 15 degrees.

- Mow across the face of slopes, not up and down. Exercise extreme caution when changing direction on slopes.
- Watch for holes, ruts, rocks, hidden objects, or bumps which can cause you to slip or trip. Tall grass can hide obstacles. Remove all objects such as rocks, tree limbs, etc., which could be tripped over or thrown by the blade.
- Always be sure of your footing. A slip and fall can cause serious personal injury. If you feel you are losing your balance, release the upper blade control lever immediately.
- Do not mow near drop-offs, ditches, or embankments; you could lose your footing or balance.

EMPTYING THE GRASS CATCHER

See Figure 13.

- Stop the mower and allow blades to completely stop.
- Open battery cover.
- Remove start key, battery packs, and disconnect power supply.
- Lift the rear discharge door.
- Lift the grass catcher by its handle to remove from mower.
- Empty grass clippings.
- Lift the rear discharge door and reinstall the grass catcher as described earlier in this manual.
- Reinstall start key and battery packs or connect to the power supply when you are ready to mow.

MAINTENANCE

WARNING:

Before performing any maintenance, make sure the mower batteries and start key are removed and the power supply is disconnected to avoid accidental starting and possible serious personal injury.

WARNING:

Always wear eye protection with side shields marked to comply with ANSI Z87.1. Failure to do so could result in objects being thrown into your eyes resulting in possible serious injury.

WARNING:

When servicing, use only authorized replacement parts. Use of any other parts can create a hazard or cause product damage.

WARNING:

Never use a hose, water, or any liquids to clean or rinse off the lawn mower. Corrosive liquids, water, fertilizers, and chemicals used to treat lawns can enter the lawn mower and/or battery compartment and damage electronic components and/or the battery pack, which can result in a short circuit, increased risk of fire, electric shock, and serious personal injury. Remove any buildup of grass and leaves on or around the mower housing and/or underneath the mower deck. Wipe the mower clean with a dry cloth occasionally.

NOTICE:

Periodically inspect the entire product for damaged, missing, or loose parts such as screws, nuts, bolts, caps, etc. Tighten securely all fasteners and caps and do not operate this product until all missing or damaged parts are replaced. Please contact customer service or an authorized service center for assistance.

GENERAL MAINTENANCE

Avoid using solvents when cleaning plastic parts. Most plastics are susceptible to damage from various types of commercial solvents and may be damaged by their use. Use clean cloths to remove dirt, dust, oil, grease, etc.

WARNING:

Do not at any time let brake fluids, gasoline, petroleum-based products, penetrating oils, etc., come in contact with plastic parts. Chemicals can damage, weaken, or destroy plastic which can result in serious personal injury.

Remove any build-up of grass and leaves on or around the motor cover. Wipe the mower clean with a dry cloth occasionally. Do not use water.

LUBRICATION

All of the bearings in this product are lubricated with a sufficient amount of high grade lubricant for the life of the unit under normal operating conditions. Therefore, no further bearing lubrication is required.

WARNING:

Always protect hands by wearing heavy gloves and/or wrapping the cutting edges of the blade with rags and other material when performing blade maintenance. Contact with the blade could result in serious personal injury.

REPLACING THE CUTTING BLADE

See Figures 14 - 15.

NOTE: Only use authorized replacement blades.

- Stop the motor and remove the start key. Allow blade to come to a complete stop.
- Remove start key, battery packs and disconnect the power supply.
- Turn the mower on its side.
- Wedge a block of wood between the blade and mower deck to prevent the blade from turning.
- Loosen the blade nut by turning it counterclockwise (as viewed from bottom of mower) using a 15 mm wrench or socket (not provided).
- Remove the blade nut, spacer, blade insulator, and blade.
- Place the new blade on the shaft against the fan assembly. Ensure blade is properly seated with shaft going through center blade hole and the two blade posts inserted into their respective holes on the blade. Make sure it is installed with the curved ends pointing up toward the mower deck and not down toward the ground. When seated properly, the blade should be flat against the fan assembly.
- Replace the blade insulator and spacer, then thread the blade nut on the shaft and finger tighten.

NOTE: Make certain all parts are replaced in the exact order in which they were removed.

- Torque the blade nut down clockwise using a torque wrench (not provided) to ensure the bolt is properly tightened. The recommended torque for the blade nut is 350–400 in. lbs.

MAINTENANCE

WARNING:

Ensure blade is properly seated and the blade nut is tightened to the torque specifications above. Failure to properly attach the blade could cause it to come loose and result in possible serious personal injury.

STORING THE MOWER

See Figure 16.

- Remove start key, battery packs, and disconnect power supply and store in a secure location out of the reach of children.
- Before storage, wipe any dirt or debris from the battery area.
- Turn mower on its side and clean grass clippings that have accumulated on the underside of the mower deck.
- Wipe the mower clean with a dry cloth.
- Check all nuts, bolts, knobs, screws, fasteners, etc., for tightness.
- Inspect moving parts for damage, breakage, and wear. Have repairs made on any damaged or missing parts. Check blade for damage, uneven, or excessive wear and replace blade if these conditions exist.
- Lower the handle assembly as described earlier in this manual.
- Store mower indoors in a clean, dry place out of the reach of children.
- Do not store near corrosive materials such as fertilizer or rock salt.

TROUBLESHOOTING

IF THESE SOLUTIONS DO NOT SOLVE THE PROBLEM CONTACT YOUR AUTHORIZED SERVICE DEALER.

PROBLEM	POSSIBLE CAUSE	SOLUTION
Handle not in position.	Handle locks not locked.	Lock upper and lower handle locks.
Mower not starting.	Start key needs to be reset. Battery packs need to be reset. Battery is low in charge or power supply not connected.	Remove and reinstall start key. Remove and reinstall battery packs. Charge the battery or connect to power supply.
Mower cutting grass unevenly.	Lawn is rough or cutting height not set properly.	Adjust the cutting height.
Mower not mulching properly.	Wet grass clippings sticking to the underside of the deck.	Wait until the grass dries before mowing.
Mower hard to push.	High grass, rear of mower housing and blade dragging in heavy grass, or cutting height too low.	Raise cutting height.
Mower not bagging properly.	Cutting height set too low.	Raise cutting height.
Mower vibrating at higher speed.	Blade is unbalanced, excessively or unevenly worn. Bent motor shaft.	Replace the blade. Stop the motor, remove start key and battery or disconnect power supply. Inspect for damage. Have repaired by an authorized service center before restarting.
Motor stops while cutting.	Cutting height set too low.	Raise the cutting height.



MAKE THE MOST OF YOUR PURCHASE!

Your product has been fully tested prior to shipment to ensure your complete satisfaction.

For any questions about operating or maintaining your product, call the RYOBI Help Line!

**This product has a Three-year Limited Warranty for personal, family, or household use (90 days for business or commercial use).
For warranty details, visit www.ryobitools.com
or call (toll free) 1-800-860-4050.**

INSTRUCTIONS IMPORTANTES CONCERNANT LA SÉCURITÉ



AVERTISSEMENT :

LISEZ ET VEILLEZ À COMPRENDRE TOUTES LES INSTRUCTIONS. Le non respect des instructions énumérées ci-dessous et sur la machine pourrait résulter en un choc électrique, un incendie, et/ou des blessures sérieuses.

LISEZ TOUTES LES INSTRUCTIONS

- Cet outil coupant est capable d'amputer des mains et des pieds et projeter des objets. Le non respect de toutes les instructions de sécurité pourrait résulter en des blessures graves ou la mort.
- Éviter les environnements dangereux — N'utilisez pas la tondeuse dans un environnement mouillé ou humide et ne l'utilisez pas durant la pluie.
- Garder les enfants à l'écart — Garder les badauds, enfants et animaux domestiques à une distance minimum de 30,5 m (100 pi). Arrêter la machine si quelqu'un entre dans la zone.
- Des accidents tragiques peuvent survenir si l'opérateur n'est pas conscient de la présence des enfants. Les enfants sont souvent attirés par la machine et l'activité de tondaison. Ne prenez jamais pour acquis que les enfants resteront à l'endroit où vous les avez vus la dernière fois.
 - Assurez-vous que les enfants soient éloignés de la zone de coupe et qu'ils soient supervisés par un adulte autre que l'opérateur.
 - Soyez vigilant et éteignez la tondeuse si un enfant s'approche.
 - Ne permettez jamais à des enfants d'utiliser la machine.
 - Redoublez la prudence quand vous vous approchez des coins, des arbustes, des arbres ou d'autres objets qui peuvent masquer la présence d'un enfant.
- Porter une tenue appropriée — Porter des pantalons longs, manches longues, des chaussures de travail et des gants épais. Ne pas porter de vêtements amples, bijoux, shorts, sandales et ne pas travailler pieds nus. Ne porter aucun bijou. Ils peuvent être pris dans les parties en mouvement.
- Ne pas travailler hors de portée — Toujours se tenir bien campé et en équilibre. Le travail hors de portée risque de faire perdre l'équilibre.
- N'utilisez pas l'outil pieds nus ou si vous portez des sandales ou d'autres souliers légers de ce type. Portez des souliers de protection qui protégeront vos pieds et amélioreront votre équilibre sur des surfaces glissantes.
- Ne laissez pas la tondeuse sans surveillance quand elle est allumée ou une fois la clé de démarrage fixée.
- Éloignez les mains et les pieds de la zone de coupe. Tenez vous éloigné de l'ouverture de décharge en tout temps.
- Utilisez la tondeuse seulement à la lumière du jour ou avec une bonne lumière artificielle.
- Toujours porter des lunettes de sécurité avec écrans latéraux. Les lunettes de vue ordinaires sont munies seulement de verres résistants aux impacts. Ce ne sont PAS des lunettes de sécurité. Le respect de cette règle réduira les risques de choc électrique. Utilisez une masque faciale si l'utilisation produit de la poussière.
- Porter des lunettes de sécurité — Toujours porter une protection oculaire munie d'écrans latéraux certifiée conforme à la norme ANSI Z87.1. Utilisez une masque faciale si l'utilisation produit de la poussière.
- Utilisez l'outil approprié — N'utilisez pas la tondeuse pour aucune tâche sauf celle pour laquelle elle est conçue.
- Ne forcez pas la tondeuse — Elle exécutera le travail mieux et de façon plus sécuritaire à la vitesse pour laquelle elle fut conçue.
- Ne pas charger l'outil sous la pluie ou dans un endroit mouillé.
- Restez vigilant — Regardez ce que vous faites et utilisez votre meilleur jugement lorsque vous utilisez la tondeuse. N'utilisez pas la tondeuse si vous êtes fatigué, contrarié ou sous influence de drogues, d'alcool ou de médicaments. Un moment d'inattention pendant l'utilisation de la tondeuse peut résulter en une blessure grave.
- Faire l'entretien de la tondeuse avec soins — Gardez l'outil en bon état. Assurez-vous que les lames soient affûtées et que les dispositifs de protections soient en place et en état de fonctionnement. Remplacer les lames endommagées ou usées de façon inégale avant d'utiliser la tondeuse d'obtenir un rendement optimal.
- Vérifiez fréquemment si tous les écrous, boulons et vis sont serrés pour s'assurer que l'équipement est sécuritaire. Les lames de tondeuse sont tranchantes. Envelopper la lame ou porter des gants et prendre beaucoup de précautions lors de l'entretien.
- Ne pas jeter le pile au feu. La cellule peut exploser. Vérifier les codes locaux pour connaître toute instruction spéciale relative à l'élimination des piles.
- Arrêter le moteur, attendre que la lame s'arrête complètement et retirer la clé de démarrage et bloc-piles avant de réparation du produit, de nettoyer la tondeuse, d'enlever le collecteur d'herbe ou retrait du capuchon du broyeur.
- **Ne jamais utiliser un boyau, de l'eau ou une autre liquide pour nettoyer ou rincer la tondeuse.** Les liquides corrosifs, l'eau, l'engrais et les produits chimiques utilisés pour traiter les pelouses peuvent s'infiltrer dans la tondeuse et/ou le compartiment de la pile et endommager les composants électroniques et/ou le bloc-pile, ce qui peut entraîner un court-circuit, augmenter le risque d'incendie, choc électrique ou des blessures

INSTRUCTIONS IMPORTANTES CONCERNANT LA SÉCURITÉ

corporelles graves. Enlever toute accumulation d'herbes ou de feuilles sur ou autour du corp de la tondeuse et/ou en dessous de la plateforme de la tondeuse. Essuyer la tondeuse de temps en temps avec un linge sec.

- Remplacer la lame si elle est pliée ou fissurée. Une lame déséquilibrée provoque des vibrations qui peuvent endommager le moteur de l'appareil et provoquer des blessures. Affûter également les extrémités de la lame émoussée afin de maintenir l'équilibre. Nettoyer complètement la lame et vérifier son équilibre en la déposant à l'horizontale et en plaçant l'orifice du centre sur un petit clou. Le clou doit être placé à l'horizontale. Si l'une des extrémités de la lame tourne vers le bas, enlever un peu de métal de la partie épaisse inférieure de la lame jusqu'à ce que celle-ci soit équilibrée. Une lame équilibrée lorsqu'aucune extrémité n'est inclinée.
- Quand la tondeuse n'est pas utilisée, elle devrait être entreposée à l'intérieur, dans un endroit sec et sécuritaire — loin de la portée des enfants. Retirer la clé de démarrage et la ranger dans un endroit situé hors de la portée des enfants.
- Toujours, utiliser des dispositifs de protection. N'utilisez pas la tondeuse sans le collecteur d'herbe, le capuchon du broyeur et porte arrière de décharge en place et fonctionne correctement.
- Ne pas ouvrir ou altérer le bloc de batteries. L'électrolyte est un produit corrosif pouvant causer des lésions cutanées ou oculaires. Il peut être toxique en cas d'ingestion.
- Suivez les instructions du fabricant relatives à l'installation et l'utilisation des accessoires. Utilisez seulement des accessoires approuvés par le fabricant.
- Manipuler les piles avec soin pour éviter des courts-circuits avec des objets conducteurs comme des anneaux, des bracelets et des clés. Les piles ou l'objet conducteur peuvent surchauffer et causer des brûlures.
- Pour réduire le risque de décharge électrique, ce produit est muni d'une fiche polarisée (une lame plus large que l'autre) devant être utilisée avec un cordon prolongateur polarisé. La clavija del artefacto encaja en el cordón de extensión polarizado solo en una dirección. Si la fiche ne s'insère pas complètement dans le cordon prolongateur, l'inverser. Si la fiche ne peut toujours pas être insérée, se procurer un cordon prolongateur polarisé approprié. Un cordon prolongateur polarisé exige l'utilisation d'une prise murale polarisée. Cette fiche peut être branchée à une prise murale polarisée d'une seule façon. Si la fiche ne s'insère pas complètement dans la prise, l'inverser. Si la fiche ne peut toujours pas être insérée, faire installer une prise murale adéquate par un électricien qualifié. Ne modifier en aucune façon la prise de l'appareil, le réceptacle du cordon prolongateur ou la fiche du cordon prolongateur.
- Les circuits utilisés avec la tondeuse devraient être munis d'un interrupteur de défaut à la terre. Des connecteurs avec un interrupteur de défaut à la terre sont disponibles et peuvent être utilisés pour satisfaire à cette mesure de sécurité.
- Inspecter périodiquement le cordon d'alimentation de la tondeuse. Si celui-ci est endommagé, le faire réparer à un centre de service autorisé. Inspecter régulièrement les cordons prolongateurs et les remplacer s'ils sont endommagés. Garder les mains propres, sèches, sans graisse ou lubrifiant.
- Avertissement — Pour réduire le risque de décharge électrique, utiliser seulement avec un cordon prolongateur conçu pour être utilisé à l'extérieure comme un cordon prolongateur portant les caractéristiques SW, SOW, STW, STOW, SJW, SJOW, SJTW, or SJTOW.
- Cordon prolongateur — S'assurer que le cordon prolongateur est en bon état. Si un cordon prolongateur est utilisé, s'assurer que sa capacité est suffisante pour supporter le courant de fonctionnement de l'outil. Une rallonge avec un calibre de fils américain de 14 devrait être utilisée pour des longueurs inférieures à 15,2 m (50 pi). Un cordon de capacité insuffisante causerait une baisse de la tension de ligne, entraînant une perte de puissance et une surchauffe. Utiliser un dispositif de retenue de cordon pour diminuer le débranchement fréquent du cordon et de la fiche de la tondeuse à gazon pendant son utilisation. (Figure 9).
- Ne pas maltraiter le cordon d'alimentation — Ne jamais tirer ou débrancher brusquement la fiche de la prise de la tondeuse à gazon. Garder le cordon à l'écart de la chaleur, de l'huile et des objets tranchants.
- Un contact peut se produire entre les fils ou les câbles électriques et représente un risque de blessures graves ou mortelles. Ne jamais passer la tondeuse sur des sources, câbles ou fils électriques.
- Nettoyez la zone de travail avant chaque utilisation. Enlevez tous les objets tels que les roches, les branches, métal, les fils, les os, les jouets et d'autres objets qui peuvent être projetés par la lame. Restez en arrière de la poignée quand le moteur est en marche.
- Évitez les trous, les ornières, les roches, bornes de propriété ou d'autres objets cachés. Un terrain accidenté pourrait provoquer un glissement et vous faire tomber par accident.
- Ne tondez pas près des dépressions, fossés ou des berges.
- Tondez les pentes dans le sens transversal, jamais en montant ou en descendant. Soyez particulièrement prudent lors des changements de direction sur les terrains en pente.
- Planifiez le parcours de la tondeuse pour éviter d'éjecter les matériaux sur les routes, les trottoirs, les passants, etc. Évitez également d'éjecter les matériaux sur un mur

INSTRUCTIONS IMPORTANTES CONCERNANT LA SÉCURITÉ

ou une obstruction ce qui pourrait causer un matériau d'être projeté par ricochet en direction de l'opérateur.

- Ne tondez pas l'herbe mouillée ou sur des pentes excessivement raides. Une mauvaise position peut vous faire glisser et tomber par accident. Marchez, ne courez jamais.
- Redoublez la prudence si vous vous approchez des coins, des arbustes, des arbres ou d'autres objets qui vous cachent la vue.
- Ne tirez jamais la tondeuse vers l'arrière à moins que cela soit absolument nécessaire. Si vous devez tirer la tondeuse pour éviter un mur ou une obstruction, commencez par regarder en bas et en arrière pour ne pas trébucher o tirando la podadora hacia los pies.
- N'éjectez jamais du matériel en direction de quelqu'un. Évitez d'éjecter le matériel sur un mur ou une obstruction. Le matériel pourrait être projeté par ricochet en direction de l'opérateur. Arrêtez la lame quand vous traversez des surfaces recouvertes de gravier.
- Des objets frappés par la lame de la tondeuse peuvent causer des sérieuses blessures. La pelouse devrait toujours être examinée attentivement et nettoyée de tout objet avant la tondaison.
- Si la tondeuse frappe un objet étranger, suivez ces étapes :
 - Arrêter la tondeuse en relâchant l'levier de commande de la lame, attendre que la lame s'arrête complètement et débranchez la tondeuse de la source de courant.
 - Retirer la clé de démarrage.
 - Inspectez attentivement la tondeuse pour desceller les dommages.
 - Remplacer la lame si elle est endommagée de quelque façon que ce soit Réparez tout dommage avant de démarrer et de continuer à utiliser la tondeuse.
- Arrêter le moteur, attendre que la lame s'arrête complètement et retirer la clé de démarrage, les bloc-piles et débranchez la tondeuse de la source de courant avant de déboucher la goulotte. La lame continue de tourner pendant quelques secondes après que le moteur soit arrêté. Ne mettez jamais aucune partie du corps dans la proximité de la lame avant d'être certain que la lame a cessé de tourner.
- Si la tondeuse commence à vibrer de façon anormale, arrêtez le moteur et vérifiez immédiatement la cause. Remplacer la lame si elle est usée de façon inégale ou endommagée de quelque façon que ce soit. La vibration est généralement un signe d'un problème.
- Le produit doit être réparé par un personnel qualifié seulement. Des réparations ou l'entretien effectués par un personnel non qualifié pourrait résulter en des blessures pour l'utilisateur ou endommager le produit.
- Lors de réparation du produit, utilisez uniquement des pièces de remplacement identiques. Utiliser uniquement des lames de rechange identiques. L'utilisation des pièces non autorisées peut créer un risque d'une blessure sérieuse à l'utilisateur ou endommager le produit.
- Conserver ou remplacer les étiquettes d'instructions de sécurité, si nécessaire.
- Déconnecter les bloc-piles, débrancher la fiche de la source de courant et retirer la clé de démarrage — Débrancher l'appareil de la source d'alimentation, retirer le bloc de piles et clé de démarrage avant d'entreposer, d'effectuer l'entretien, ou de changer les accessoires comme la lame. Ces mesures de sécurité réduisent les risques de démarrage accidentel de l'outil.
- Arrêter l'produit et déconnectez la fiche de la source de courant, retirer le bloc de piles et clé de démarrage lorsqu'il n'est pas utilisé. Attendre ou mettre l'arrêt complet du moteur et la clé de démarrage et les bloc-piles retirés de la tondeuse avant de déplacer l'produit.
- Les outils fonctionnant piles n'ayant pas besoin d'être branchés sur une prise secteur, ils sont toujours en état de fonctionnement. Tenir compte des dangers possibles lorsque l'outil n'est pas en usage et lors du remplacement des piles. Le respect de cette règle réduira les risques d'incendie, de choc électrique et de blessures graves.
- Ne pas utiliser un appareil alimenté par pile sous la pluie.
- Retirer ou débrancher la pile avant l'entretien ou le nettoyage de l'outil de jardin ou avant d'en retirer des matériaux.
- Utiliser ce produit seulement avec les piles et le chargeurs indiqués dans le supplément de raccordement pour chargeur/outils/piles/appareil n° 987000-432.
- Ranger les appareils qui ne sont pas utilisés à l'intérieur — lorsque la tondeuse n'est pas utilisé, le ranger à l'intérieur dans un endroit sec et verrouillé hors de la portée des enfants. La clé de démarrage et les blocs-piles doivent être retirés et rangés dans un autre endroit et hors de la portée des enfants.
- Suivre les instructions de lubrification et de changement d'accessoires.
- Maintenir les dispositifs de protection en place et en bon état de fonctionnement.
- Garder les lames affûtées.
- Éloigner les mains et les pieds de la zone de coupe.
- Faire fonctionner cet appareil ne doit être permis qu'aux adultes responsables et familiers avec les instructions.
- Ne jamais faire fonctionner l'appareil dans un endroit clos.
- Ne jamais modifier les dispositifs de sécurité. Vérifier périodiquement l'état de fonctionnement.
- Conserver ces instructions. Les consulter fréquemment et les utiliser pour instruire les autres utilisateurs éventuels. Si cet outil est prêté, il doit être accompagné de ces instructions.

CARACTÉRISTIQUES ÉLECTRIQUES (c.a.)

DOUBLE ISOLATION

La double isolation est un dispositif de sécurité utilisé sur les outils à moteur électriques, éliminant le besoin de cordon d'alimentation habituel à trois fils avec terre. Toutes les pièces métalliques exposées sont isolées des composants internes du moteur par l'isolation protectrice. Les produits à double isolation ne nécessitent pas de mise à la terre.

AVERTISSEMENT :

Le système à double isolation est conçu pour protéger l'utilisateur contre les chocs électriques causés par une rupture de l'isolation interne de l'outil. Prendre toutes les précautions de sécurité normales pour éviter les chocs électriques.

NOTE : La réparation d'un produit à double isolation exigeant des précautions extrêmes ainsi que la connaissance du système, elle ne doit être confiée qu'à un réparateur qualifié. En ce qui concerne les réparations, nous recommandons de confier l'produit au centre de réparation le plus proche. Utiliser exclusivement des pièces d'origine pour les réparations.

CONNEXIONS ÉLECTRIQUES

Cet produit est équipé d'un moteur électrique de précision. Elle doit être branchée uniquement sur une **caractéristique nominale de l'alimentation électrique CA est de 120 V/60 Hz (circuit électrique domestique américain typique)**. Sauf lorsque le bloc-piles est installé, une baisse de tension considérable peut causer une perte de puissance et provoquer la surchauffe du moteur. Si l'produit ne fonctionne pas une fois branché, vérifier l'alimentation électrique.

GFCI

Les circuits et prises sur lesquels cet produit est branché doivent être protégés par un disjoncteur différentiel. Des prises à disjoncteur différentiel sont en vente dans le commerce et peuvent être utilisées à titre de sécurité.

CORDONS PROLONGATEURS

Lors de l'utilisation d'un produit électrique à grande distance d'une prise secteur, veiller à utiliser un cordon prolongateur d'une capacité suffisante pour supporter l'appel de courant de l'produit. Un cordon de capacité insuffisante causerait une baisse de la tension de ligne, entraînant une perte de puissance et une surchauffe. Se reporter au tableau ci-dessous pour déterminer le calibre minimum de fil requis pour un cordon donné. Utiliser exclusivement des cordons à gaine cylindrique homologués par Underwriter's Laboratories (UL).

Pour le travail à l'extérieur, utiliser un cordon prolongateur spécialement conçu à cet effet. Ce type de cordon porte l'inscription « W-A » ou « W » sur sa gaine.

Avant d'utiliser un cordon prolongateur, vérifier que ses fils ne sont ni détachés ni exposés et que son isolation n'est ni coupée, ni usée.

S'assurer que le cordon prolongateur sont fixés fermement, comme montré à l'illustration 9, puis brancher la fiche du cordon

d'alimentation dans le réceptacle du cordon prolongateur. Vérifiez que la connexion est sécurisée.

****Intensité nominale (sur la plaquette signalétique de l'produit)**

0-2,0 2,1-3,4 3,5-5,0 5,1-7,0 7,1-12,0 12,1-16,0

Longueur du cordon	Calibre de fil (A.W.G.)					
	16	16	16	16	14	14
25'	16	16	16	16	14	14
50'	16	16	16	14	14	12
100'	16	16	14	12	10	—

****Utilisé sur circuit de calibre 12 – 20 A**

NOTE : AWG = American Wire Gauge

AVERTISSEMENT :

Maintenir le cordon prolongateur à l'écart de la zone de travail. Lors du travail avec un cordon électrique, placer le cordon de manière à ce qu'il ne risque pas de se prendre dans les pièces de bois, produits et autres obstacles. Ne pas prendre cette précaution peut entraîner des blessures graves.

AVERTISSEMENT :

Vérifier l'état des cordons prolongateurs avant chaque utilisation. Remplacer immédiatement tout cordon endommagé. Ne jamais utiliser un produit dont le cordon d'alimentation est endommagé, car tout contact avec la partie endommagée pourrait causer un choc électrique et des blessures graves.




Pour réduire le risque de décharge électrique, ce produit est muni d'une fiche polarisée (une lame plus large que l'autre) devant être utilisée avec un cordon prolongateur polarisé. La fiche de l'appareil peut être branchée à un cordon prolongateur polarisé d'une seule façon. Si la fiche ne s'insère pas complètement dans le cordon prolongateur, l'inverser. Si la fiche ne peut toujours pas être insérée, se procurer un cordon prolongateur polarisé approprié. Un cordon prolongateur polarisé exige l'utilisation d'une prise murale polarisée. Cette fiche peut être branchée à une prise murale polarisée d'une seule façon. Si la fiche ne s'insère pas complètement dans la prise, l'inverser. Si la fiche ne peut toujours pas être insérée, faire installer une prise murale adéquate par un électricien qualifié. Ne modifier en aucune façon la prise de l'appareil, le réceptacle du cordon prolongateur ou la fiche du cordon prolongateur.

AVERTISSEMENT :










Pour réduire le risque de décharge électrique, utiliser seulement avec un cordon prolongateur conçu pour être utilisé à l'extérieure comme un cordon prolongateur portant les caractéristiques SW-A, SOW-A, STW-A, STOW-A, SJW-A, SJOW-A, SJTW-A ou SJTOW-A.

SYMBOLES

Les termes de mise en garde suivants et leur signification ont pour but d'expliquer le degré de risques associé à l'utilisation de ce produit.

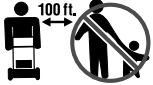



SYMBOLE	SIGNAL	SIGNIFICATION
	DANGER :	Indique une situation dangereuse qui, si elle n'est pas évitée, aura pour conséquences des blessures graves ou mortelles.
	AVERTISSEMENT :	Indique une situation dangereuse qui, si elle n'est pas évitée, pourrait entraîner des blessures graves ou mortelles.
	ATTENTION :	Indique une situation dangereuse qui, si elle n'est pas évitée, pourrait entraîner des blessures légères ou de gravité modérée.
	AVIS :	(Sans symbole d'alerte de sécurité) Indique les informations jugées importantes sans toutefois représenter un risque de blessure (ex. : messages concernant les dommages matériels).

Certains des symboles ci-dessous peuvent être utilisés sur produit. Veiller à les étudier et à apprendre leur signification. Une interprétation correcte de ces symboles permettra d'utiliser produit plus efficacement et de réduire les risques.

SYMBOLE	NOM	DÉSIGNATION / EXPLICATION
	Symbole d'alerte de sécurité	Indique un risque de blessure potentiel.
	Lire manuel d'utilisation	Pour réduire les risques de blessures, l'utilisateur doit lire et veiller à bien comprendre le manuel d'utilisation avant d'utiliser ce produit.
	Protection oculaire	Toujours porter une protection oculaire munie d'écrans latéraux certifiée conforme à la norme ANSI Z87.1.
	Ne jamais tondre le gazon en passant sur les câbles électriques.	Un contact peut se produire entre les fils ou les câbles électriques et représente un risque de blessures graves ou mortelles. Ne jamais passer la tondeuse sur des sources, câbles ou fils électriques.
	Avertissement concernant l'humidité	Risque d'incendie et de brûlures. Ne pas exposer la pile, le compartiment de la pile, ou les composants électroniques à la pluie, l'eau ou d'autres liquides. Fermer le couvercle pendant l'utilisation. Ne pas opérer sur un sol humide.
	Choc électrique	Ne pas utiliser la machine dans un endroit sec ou ne pas respecter les pratiques de sécurité peut entraîner un choc électrique.
	Garder les mains et les pieds à l'écart	Garder les mains et les pieds à l'écart de la lame et de la zone de coupe.
	Se tenir loin	Ne pas mettre ses mains ou ses pieds en dessous du châssis de la tondeuse.
	Éviter les pentes	Ne pas utiliser sur des pentes de plus de 15°. Tondre les pentes dans le sens transversal, jamais en montant ou en descendant.

SYMBOLES

Certains des symboles ci-dessous peuvent être utilisés sur produit. Veiller à les étudier et à apprendre leur signification. Une interprétation correcte de ces symboles permettra d'utiliser produit plus efficacement et de réduire les risques.

SYMBOLE	NOM	DÉSIGNATION / EXPLICATION
	Tenir les enfants et les curieux à bonne distance	Tenir les enfants et les curieux à une distance de 30,5 m (100 pi) au moins.
	Ricochet	Les objets projetés peuvent ricocher et infliger des blessures ou causer des dommages matériels.
	Symbole de recyclage	Ce produit utilise les piles de lithium-ion (Li-ion). Les réglementations locales ou gouvernementales peuvent interdire de jeter les piles dans les ordures ménagères. Consulter les autorités locales compétentes pour les options de recyclage et/ou l'élimination.
V	Volts	Tension
A	Ampères	Intensité
Hz	Hertz	Fréquence (cycles par seconde)
W	Watt	Puissance
hrs	Heures	Durée
≡	Courant continu	Type ou caractéristique du courant
~	Courant alternatif	Type de courant
	Construction de classe II	Construction à double isolation

CARACTÉRISTIQUES

CARACTÉRISTIQUES DU PRODUIT

Moteur 18 V DC
caractéristique nominal CA
de 120V/60 Hz seulement, 7 A
Chemin de coupe 406,4 mm (16 po)

Réglages de la hauteur 31,8 mm à 88,9 mm
(1,25 po à 3,5 po)
Grandeur des roues 152,4 mm (6 po) en avant
203,2 mm (8 po) en arrière

APPRENEZ À CONNAÎTRE VOTRE TONDEUSE

Voir la figure 1.

L'utilisation sécuritaire de ce produit nécessite une compréhension de l'information sur le produit et dans le manuel de l'utilisation ainsi que la connaissance du projet à effectuer. Avant d'utiliser ce produit, familiarisez-vous avec toutes les fonctions d'utilisation et les règles de sécurité.

COUVERCLE DES PILES

Le couvercle de pile protège le logement de piles contre les débris.

MOTEUR SANS BALAI

Ce produit est équipé d'un moteur sans balai afin de livrer une puissance et une performance optimales et maximiser la durée de vie de la pile.

POIGNÉE DE TRANSPORT

La tondeuse comporte une poignée qui facilite le transport.

RETENUE DE CORDON

Une retenue de cordon pratique contribue au maintien en toute sécurité de la connexion du cordon prolongateur lors du fonctionnement de la taille-bordures à ligne.

DEUX PORTS DE PILE

Ce produit est équipé de deux ports de pile afin de minimiser le temps d'inactivité pendant l'utilisation. Les piles fonctionnent en tandem afin de fournir une puissance de fonctionnement constante à l'appareil.

COLLECTEUR D'HERBE

Le collecteur d'herbe recueille les brins d'herbe et empêche qu'ils soient éparpillés sur le gazon au moment de la tonte.

LEVIER DE RÉGLAGE DE LA HAUTEUR

Le levier de réglage de la hauteur permet d'effectuer des réglages de la hauteur.

DISPOSITIF DE COMMANDE DU MOTEUR/DE LA LAME

Le dispositif de commande du moteur/lame situé sur la poignée supérieure de la tondeuse démarre et arrête le moteur et la lame.

INSERT BROYEUR

La tondeuse est équipée d'un insert broyeur qui recouvre l'ouverture de décharge arrière, et qui permet de couper et de recouper l'herbe pour produire des brins plus fins.

CLÉ DE DÉMARRAGE

Vous devez insérer la clé de démarrage avant que la tondeuse puisse démarrer.

ASSEMBLAGE

DÉBALLAGE

Ce produit nécessite l'assemblage.

- Retirez prudemment l'outil et les accessoires de la boîte. Assurez-vous que tous les articles énumérés dans la liste de colisage sont inclus.

AVERTISSEMENT :

Ne pas utiliser le produit si, en le déballant, vous constatez que des éléments figurant dans la liste d'expédition sont déjà assemblés. Certaines pièces figurant sur cette liste n'ont pas été assemblées par le fabricant et exigent une installation. Le fait d'utiliser un produit qui a été assemblé de façon inadéquate peut entraîner des blessures.

- Vérifiez attentivement si l'outil n'a pas subi des dommages ou des bris pendant le transport.
- Ne jetez pas l'emballage avant d'avoir inspecté l'outil et avant d'avoir vérifié s'il fonctionne correctement.
- Si des pièces sont manquantes ou endommagées, veuillez appeler au 1-800-860-4050 pour obtenir de l'aide.

AVERTISSEMENT :

Si des pièces manquent ou sont endommagées, ne pas utiliser ce produit avant qu'elles aient été remplacées. Le fait d'utiliser ce produit même s'il contient des pièces endommagées ou s'il lui manque des pièces peut entraîner des blessures graves.

AVERTISSEMENT :

N'essayez pas de modifier cet outil ou de créer des accessoires non recommandés pour utilisation avec ce produit. Toute transformation ou modification de ce genre est un cas de mauvais usage qui peut créer des risques de blessures graves.

AVERTISSEMENT :

Ne insérer la clé de démarrage, les bloc-piles ou connecte la fiche de la source de courant compléter l'assemblage vous êtes prêt à tonte. Le non respect de cet avertissement pourrait résulter en un démarrage accidentel et des blessures corporelles graves.

AVERTISSEMENT :

Pour empêcher commencer accidentel, ne pas faire d'ajustement ou des installations avec la clé de démarrage ou les bloc-piles insérée ou connecte la fiche de la source de courant. Le démarrage accidentel de la tondeuse pendant l'assemblage peut entraîner des blessures graves.

AVERTISSEMENT :

N'utilisez jamais la tondeuse sans les dispositifs de sécurité appropriés en place et en état de marche. N'utilisez jamais la tondeuse si les dispositifs de sécurité sont endommagés. Le fait d'utiliser la tondeuse si des pièces sont manquantes ou endommagées peut entraîner des blessures graves.

LISTE D'EXPÉDITION

Tondeuse
Clé de démarrage
Insert broyeur
Collecteur d'herbe
Manuel d'utilisation

DÉVOILEMENT ET AJUSTEMENT ENSEMBLE DE POIGNÉE

Voir les figures 2 et 3.

Pour soulever l'assemblage de poignée :

- Ouvrir les verrous de la poignée inférieure.
- Tirer la poignée inférieure vers le haut et l'arrière jusqu'à ce qu'elle s'aligne avec la fente située entre les verrous de la poignée et le logement du moteur.
NOTE : Si la poignée inférieure est difficile à déplacer, tourner les verrous de la poignée inférieure dans le sens des contraire aiguilles d'une montre pour libérer la poignée.
- Fermer les verrous de la poignée inférieure pour fixer solidement la poignée en place.
NOTE : Si la poignée inférieure est lâche ou ne repose pas complètement dans la fente, tourner les verrous de la poignée inférieure dans le sens aux aiguilles d'une montre pour fixer solidement la poignée.
- Ouvrir les verrous de la poignée supérieure.
- Tirer la poignée vers le haut et l'arrière pour la soulever en position de fonctionnement. S'assurer que la poignée inférieure repose contre les rainures situées au bas de la poignée supérieure.

AVIS :

Veiller à ne pas pincer ou d'attraper le câble de démarreur lors du levage du poignée.

- Fermer les verrous de la poignée supérieure pour fixer solidement la poignée en place.

NOTE : Si la poignée supérieure est lâche ou se sépare de la poignée inférieure, serrez les boutons de verrouillage de la poignée supérieure en les tournant dans le sens des aiguilles d'une montre.

ASSEMBLAGE

Pour abaisser l'assemblage de poignées :

- Ouvrir les verrous de la poignée supérieure.
NOTE : Si le verrou de la poignée est difficile à ouvrir, dévisser les boutons de verrouillage de la poignée supérieure en les tournant dans le sens contraire aux aiguilles d'une montre.
- Abaisser la poignée supérieure.
- Ouvrir le verrou de la poignée inférieure.
- Pousser les deux côtés de la poignée inférieure vers l'extérieur jusqu'à ce qu'elle se dégage de la fente. Puis, plier la poignée vers l'avant de l'appareil. Éviter de pincer ou de coincer les câbles.

INSTALLATION DE L'INSERT BROYEUR (POUR LE DÉCHIQUETAGE)

Voir la figure 4.

NOTE : Lorsque vous utilisez le dispositif de paillage n'installez pas le dispositif de paillage.

- Retirer la clé de démarrage, les bloc-piles et débrancher l'outil de la source d'alimentation.
- Soulever le couvercle de la décharge arrière et le maintenir en place.
- Saisir le déflecteur pour déchiquetage par sa poignée et l'insérer à un angle faible, tel qu'illustré.
- Pousser solidement le déflecteur pour déchiquetage en place.
- Relâchez le couvercle de la décharge arrière.
- Réinstaller la clé de démarrage et les bloc-piles ou la source d'alimentation dès le moment de la tonte.

INSTALLATION DU COLLECTEUR D'HERBE (POUR ARRIÈRE UTILISATION D'ENSACHAGE)

Voir les figures 5 et 6.

NOTE : En utilisant le collecteur d'herbe, ne pas installer le l'insert broyeur.

- Retirer la clé de démarrage, les bloc-piles et débrancher l'outil de la source d'alimentation.
- Levez le couvercle d'éjection arrière.
- Levez le collecteur d'herbe par sa poignée et mettez-le couvercle d'éjection arrière de façon à ce que les crochets sur le collecteur d'herbe s'appuient sur la boîte de la tondeuse.
- Relâchez le couvercle d'éjection arrière.
- Réinstaller la clé de démarrage et les bloc-piles ou la source d'alimentation dès le moment de la tonte.

RÉGLAGE DE LA HAUTEUR DE LA LAME

Voir la figure 7.

Pour l'expédition, les roues de la tondeuse sont réglées à la position de coupe au ras de sol. Avant d'utiliser la tondeuse pour la première fois, réglez la position de coupe à la hauteur la mieux adaptée à votre pelouse. Une pelouse moyenne devrait avoir de 38 mm à 51 mm (1-1/2 po à 2 po) pendant les mois de temps froid et entre 51 et 83 mm (2 po à 3-1/4 po) pendant les mois de temps chaud.

Pour régler la hauteur de la lame :

- Retirer la clé de démarrage, les bloc-piles et débrancher l'outil de la source d'alimentation.
- Pour augmenter la hauteur de la lame, attrapez le levier de réglage de la hauteur et poussez-le vers l'arrière de la tondeuse.
- Pour diminuer la hauteur de la lame, attrapez le levier de réglage de la hauteur et poussez-le vers l'avant de la tondeuse.
- Réinstaller la clé de démarrage et les bloc-piles ou la source d'alimentation dès le moment de la tonte.

UTILISATION

DANGER :

Le contact avec des lignes électriques ou des cordons électriques peut entraîner des blessures graves ou un décès. N'utilisez jamais la tondeuse sur de sources électriques, cordons ou câbles.

AVERTISSEMENT :

Ne laissez pas la familiarité tirée d'une utilisation fréquente de ce type de produit atténuer votre vigilance. Souvenez-vous qu'une fraction de seconde d'inattention suffit à infliger des blessures graves.

AVERTISSEMENT :

Toujours porter une protection oculaire munie d'écrans latéraux certifiée conforme à la norme ANSI Z87.1. Si cette précaution n'est pas prise, des objets peuvent être projetés dans les yeux et causer des lésions graves.

AVERTISSEMENT :

N'utilisez aucun ajout ni accessoire non-recommandé par le fabricant de ce produit. L'utilisation des ajouts ou des accessoires non recommandés pourrait résulter en des blessures corporelles graves.

AVERTISSEMENT :

Inspecter le produit afin de s'assurer qu'aucune pièce et la lame est endommagée ou si elle est usée de façon inégale ou excessive. Le fait d'utiliser la tondeuse si des pièces sont manquantes ou endommagées peut entraîner des blessures graves.

AVERTISSEMENT :

Toujours retirer la cordon prolongateur, les bloc-piles et le clé de démarrage de l'outil au moment d'assembler des pièces, d'effectuer des réglages et de procéder au nettoyage, ou lorsque l'outil n'est pas utilisé. Le fait de retirer la pile et le clé de démarrage permet d'empêcher un démarrage accidentel pouvant entraîner des blessures graves.

APPLICATIONS

Vous pouvez utiliser cet outil pour les tâches énumérées ci-dessous:

- Tondaison de votre pelouse

INSTALLATION ET RETRAIT DU BLOC-PILES

Voir la figure 8.

Installation :

- Ouvrir la couvercle des piles.
- Insérer les bloc-piles dans le tondeuse. Aligner la nervure en saillie du bloc-piles sur la rainure du logement du tondeuse.
- S'assurer que ses deux loquets latéraux s'engagent correctement et vérifier que les bloc-piles est solidement assujetti avant d'utiliser l'outil.

AVIS :

Lors de l'installation du bloc-piles, veiller à ce que sa nervure s'aligne sur le fond de l'outil et se verrouille en place. Une insertion incorrecte du bloc-piles peut causer des dommages aux composants internes.

NOTE : Pour éviter des blessures graves, toujours retirer les bloc-piles et tenir à distance de mains le bouton de verrouillage en portant l'outil.

Retrait :

- Appuyer sur les loquets se trouvant sur les côtés du bloc-piles pour le séparer du soufflante.

AVERTISSEMENT :

Pour éviter le démarrage accidentel pouvant causer des blessures graves, toujours retirer la clé de démarrage lors du déplacement ou du transport de la tondeuse.

Pour prendre connaissance des consignes de chargement, consulter le manuel d'utilisation des piles et des chargeurs.

INSTALLATION/RETRAIT DU CORDON PROLONGATEURS

Voir la figure 9.

- Retirer la clé de démarrage et les bloc piles.
- Insérer la partie femelle du cordon d'alimentation dans le produit, comme illustré.
- Raccorder la fiche du cordon d'alimentation dans une source d'énergie.
- S'assurer que le cordon d'alimentation est raccordé correctement avant d'allumer la tondeuse.

AVIS :

Toujours utiliser un dispositif de retenue de cordon retenir correctement la rallonge à la tondeuse à gazon. Ne pas utiliser le dispositif de retenue de cordon représente un risque de bris de la tondeuse à gazon et/ou de la rallonge.

UTILISATION

DÉMARRAGE / ARRÊT DE LA TONDEUSE

Voir les figures 10 et 11.

- Ouvrir la couvercle des piles.
- Glisser le commutateur d'alimentation vers la source d'alimentation devant être utilisée.
- Installer les bloc-piles ou brancher le cordon d'alimentation.
NOTE : L'appareil fonctionnera avec un seul bloc-piles installé. La durée de fonctionnement de l'appareil avec un bloc-piles sera considérablement diminuée.
- Insérer la clé de démarrage dans la fente à proximité du compartiment de la pile.
- Fermeture la couvercle des piles.
- Appuyer sur le bouton « Start » (Démarrer). Tirer l'levier vers la poignée et relâcher le bouton pour démarrer la tondeuse.
- Pour arrêter la tondeuse, relâcher l'levier.

CONSEILS DE TONDAISON

- Assurez-vous que la pelouse est libre des pierres, des branches, des fils et d'autres objets qui pourraient endommager le moteur ou les lames de la tondeuse. Ne pas faire passer la tondeuse par-dessus les bornes de propriété ou autres poteaux en métal. De tels objets pourraient endommager la lame ou être accidentellement projetés par la tondeuse dans toutes directions et causer des blessures graves à l'opérateur ou aux autres.
- Pour une pelouse en santé, coupez toujours un-tiers ou moins de la longueur totale de l'herbe.
- Quand vous coupez de l'herbe épaisse, marchez plus lentement pour permettre à l'outil à couper plus efficacement et à éjecter les brins de façon appropriée.
- Ne coupez pas de l'herbe humide. Elle collera au-dessous du châssis et empêche l'ensachage ou le déchiquetage appropriés des brins d'herbe.
- De l'herbe nouvelle ou épaisse peut nécessiter une coupe plus étroite or augmentez la hauteur de coupe.
- Nettoyez le dessous du châssis après chaque utilisation pour enlever les brins d'herbes, les feuilles, la saleté et tout autre débris accumulé.
NOTE : Toujours arrêter la tondeuse, attendre l'arrêt complet des lames, retirer la clé de démarrage et retirer les bloc-piles de la prise de pile ou débranchez le cordon d'alimentation avant de nettoyer le dessous de la tondeuse.

UTILISATION SUR LES PENTES

Voir la figure 12.

AVERTISSEMENT :

Les pentes sont un facteur majeur relié aux glissements et des chutes accidentelles qui peuvent résulter en des blessures graves. L'utilisation de la tondeuse sur les pentes nécessite des précautions spéciales. Si vous n'êtes pas confortable sur une pente, ne la tondez pas. Pour votre sécurité, n'essayez pas de tondre des pentes de plus de 15 degrés.

- Tondez les pentes dans le sens transversal, jamais en montant ou en descendant. Soyez particulièrement prudent lors des changements de direction sur les terrains en pente.
- Faites attention aux trous, ornières, roches, objets cachés ou bosses qui peuvent provoquer un glissement ou une chute. De l'herbe haute peut cacher des obstacles. Enlevez tous les objets tels que les roches, les racines, etc. qui peuvent être projetés par la lame ou qui pourraient provoquer une chute.
- Soyez toujours sûr de votre position. Un glissement ou une chute peuvent causer une blessure grave. Si vous sentez que vous perdez l'équilibre, relâchez immédiatement la levier supérieure.
- Ne tondez pas près des dépressions, des fossés ou des berges; vous pourriez perdre l'équilibre.

VIDER LE COLLECTEUR D'HERBE

Voir la figure 13.

- Arrêter la tondeuse, laisser les lames s'arrêter complètement.
- Ouvrez le logement de piles.
- Retirer la clé de démarrage et les bloc-piles ou débrancher l'outil de la source d'alimentation.
- Soulever le couvercle d'éjection arrière.
- Soulever le collecteur d'herbe par sa poignée afin de le retirer de la tondeuse.
- Jetez les brins d'herbe.
- Soulever le couvercle arrière et réinstaller le collecteur d'herbe, comme décrit précédemment dans le présent manuel.
- Réinstaller la clé de démarrage et les bloc-piles ou la source d'alimentation dès le moment de la tonte.

ENTRETIEN

AVERTISSEMENT :

Lors de réparation du produit, s'assurer que les piles, la clé de démarrage et l'alimentation électrique du la tondeuse ont été retirées afin d'éviter un démarrage accidentel et des blessures graves.

AVERTISSEMENT :

Toujours porter une protection oculaire munie d'écrans latéraux certifiée conforme à la norme ANSI Z87.1. Si cette précaution n'est pas prise, des objets peuvent être projetés dans les yeux et causer des lésions graves.

AVERTISSEMENT :

Utiliser exclusivement des pièces autorisées pour les réparations. L'usage de toute autre pièce pourrait créer une situation dangereuse ou endommager le produit.

AVERTISSEMENT :

Ne jamais utiliser un boyau, de l'eau ou une autre liquide pour nettoyer ou rincer la tondeuse. Les liquides corrosifs, l'eau, l'engrais et les produits chimiques utilisés pour traiter les pelouses peuvent s'infiltrer dans la tondeuse et/ou le compartiment de la pile et endommager les composants électroniques et/ou le bloc-pile, ce qui peut entraîner un court-circuit, augmenter le risque d'incendie, choc électrique ou des blessures corporelles graves. Enlever toute accumulation d'herbes ou de feuilles sur ou autour du corp de la tondeuse et/ou en dessous de la plateforme de la tondeuse. Essuyer la tondeuse de temps en temps avec un linge sec.

AVIS :

Inspecter périodiquement au complet le produit afin de s'assurer qu'aucune pièce (vis, écrous, boulons, chapeaux, etc.) n'est endommagée, manquante ou desserrée. Serrer solidement toutes les pièces de fixation et les chapeaux et ne pas utiliser le produit tant que toutes les pièces manquantes ou endommagées n'ont pas été remplacées. Pour obtenir de l'aide, veuillez communiquer avec le Service à la clientèle ou un centre de réparations agréé.

ENTRETIEN GÉNÉRAL

Évitez d'utiliser des solvants quand vous nettoyez des pièces en plastique. La plupart des plastiques résistent mal aux plusieurs types de solvants de commerce et peuvent être endommagés par leur utilisation. Utilisez des chiffons secs pour enlever la saleté, la poussière, l'huile, la graisse, etc.

AVERTISSEMENT :

Ne permettez jamais à ce que les liquides pour freins, la gazoline, les produits à base de pétrole, les huiles dégrippantes, etc entrent en contact avec les pièces en plastique. Les produits chimiques peuvent endommager, affaiblir ou détruire le plastique ce qui peut résulter en des blessures graves.

Enlevez toute accumulation d'herbe ou des feuilles sur ou autour du couvercle du moteur. Essayez la tondeuse avec un chiffon sec à l'occasion. N'utilisez pas de l'eau.

LUBRIFICATION

Tous les roulements de cet outil sont lubrifiés à l'aide d'une quantité suffisante de lubrifiant de haute qualité pour toute la durée de l'outil dans des conditions normales d'utilisation. Alors, aucune lubrification ultérieure n'est nécessaire.

AVERTISSEMENT :

Protégez toujours vos mains en portant des gants épais ou en enveloppant les bords tranchants de la lame avec des chiffons ou d'autre matériau quand vous effectuez l'entretien de la lame. Contact avec la lame résulter en des blessures graves.

REPLACEMENT DE LA LAME

Voir les figures 14 et 15.

NOTE : Utiliser seulement des pièces de remplacement lames.

- Arrêtez le moteur et coupez l'alimentation électrique et retirez la clé de démarrage. Attendez que la lame s'immobilise complètement.
- Retirer la clé de démarrage, les bloc-piles et débranchez le cordon d'alimentation.
- Tournez la tondeuse de côté.
- Mettez une pièce de bois entre la lame et le châssis de la tondeuse pour empêcher la lame de tourner.

ENTRETIEN

- Desserrez l'écrou de la lame en le tournant dans le sens antihoraire (par rapport au bas de la tondeuse) en utilisant une clé de démarrage de 15 mm ou une douille (non fournies).
- Enlevez l'écrou de lame, l'écarteur, l'isolant de lame et la lame.
- Placez la nouvelle lame sur l'arbre contre le ventilateur. S'assurer que la lame est bien appuyée sur l'arbre. Celui-ci doit passer dans le trou central de la lame et les deux tiges pour lame doivent s'insérer dans leur trou respectif sur la lame. Assurez-vous que les bouts incurvés soient orientés en direction du châssis de la tondeuse et non en direction du sol. Une fois bien appuyée, la lame devrait être à plat contre l'ensemble ventilateur.
- Remettez l'isolant de lame et l'écarteur, vissez l'écrou de lame sur l'arbre et serrez à main.

NOTE : Assurez-vous que toutes les pièces soient replacées dans l'ordre exact dans lequel elles ont été enlevées.

- Serrez l'écrou de lame sens horaire en utilisant une clé de démarrage dynamométrique (non fournie) pour s'assurer que l'écrou est bien serré. Le couple de serrage recommandé pour l'écrou de lame est de 350–400 po-lbs.

AVERTISSEMENT :

S'assurer que la lame est assise correctement et que l'écrou de lame est serré au couple indiqué ci-dessus. Ne pas fixer correctement la lame peut provoquer un relâchement de cette dernière et représenter un risque de blessure grave.

ENTREPOSAGE DE LA TONDEUSE

Voir la figure 16.

- Retirez la clé de démarrage, les bloc-piles et débranchez le cordon d'alimentation et emmagasinez dans un emplacement assuré de la portée d'enfants.
- Avant de ranger le produit, essuyez toute saleté ou tout débris se trouvant dans l'environnement de la pile.
- Tournez la tondeuse sur un côté et nettoyez les brins d'herbe accumulés en dessous du châssis de la tondeuse.
- Essuyez la tondeuse avec un chiffon sec.
- Vérifiez si les écrous, les boulons, les boutons, les vis, les attaches, etc sont serrés.
- Vérifiez si les pièces détachables ne sont pas endommagées, brisées ou usées. Faites réparer toutes les pièces manquantes ou endommagées. Vérifier si la lame est endommagée ou si elle est usée de façon inégale ou excessive, et la remplacer le cas échéant.
- Abaissez la ensemble de poignée, tel que décrit précédemment dans ce manuel.
- Entrez la tondeuse à l'intérieur dans un endroit propre et sec, loin de la portée des enfants.
- N'entrez pas près des matériaux corrosifs tels que les engrais ou le sel gemme.

DÉPANNAGE

SI LES PRÉSENTES SOLUTIONS NE RÉSOLVENT PAS LE PROBLÈME, CONTACTER LE CENTRE DE RÉPARATIONS AGRÉÉ.

PROBLÈME	CAUSE POSSIBLE	SOLUTION
Poignée en mauvaise position.	Verrous de poignée ouverts.	Fermer les verrous des poignées supérieure et inférieure.
La tondeuse ne démarre pas.	La clé de démarrage doivent être réinitialisés. Les blocs-piles doivent être réinitialisés. La charge du bloc-piles est faible ou le branchement à une source d'alimentation n'a pas été établi.	Retirer et réinstaller la clé de démarrage. Retirer et réinstaller les blocs-piles. Charger le bloc-pile.
La tondeuse coupe l'herbe de façon inégale.	La pelouse est raboteuse ou la hauteur de la coupe n'est pas bien réglée.	Régler la hauteur de coupe.
La tondeuse ne broie pas correctement.	Des brins d'herbe humides sont collés au-dessous du châssis.	Attendez que l'herbe sèche avant de tondre.
Il est difficile de pousser la tondeuse.	L'herbe est haute, l'arrière du carter de la tondeuse et la lame traînent dans de l'herbe épaisse ou la hauteur de coupe est trop basse.	Augmentez la hauteur de coupe.
La tondeuse n'ensache pas l'herbe adéquatement.	La hauteur de coupe est trop basse.	Augmentez la hauteur de coupe.
La tondeuse vibre à une vitesse élevée.	La lame est déséquilibrée, usée de façon excessive ou inégale. L'arbre du moteur plié.	Remplacer la lame. Arrêtez le moteur, retirer la clé de démarrage et la pile ou déconnectez la fiche de la source de courant. Inspecter les pièces afin de s'assurer qu'elles ne sont pas endommagées. Faites réparer par un centre de réparations agréé avant de redémarrer.
Si le moteur s'arrête pendant la tonte de la pelouse.	La hauteur de coupe est trop basse.	Augmentez la hauteur de coupe.



TIREZ LE MEILLEUR PARTI DE VOTRE ACHAT!

Ce produit a été entièrement testé avant expédition pour assurer la complète satisfaction de l'utilisateur.

Pour toute question concernant l'utilisation ou l'entretien du produit, appeler le service d'assistance téléphonique RYOBI !

Ce produit est accompagné d'une garantie limitée de trois (3) ans pour utilisation personnel, familiales ou domestiques (90 jours pour utilisation affaires ou commerciaux). Pour obtenir les détails de la garantie, visiter le site www.ryobitools.com ou appeler (sans frais) au 1-800-860-4050.

INSTRUCCIONES DE SEGURIDAD IMPORTANTES



ADVERTENCIA:

LEA Y COMPRENDA TODAS LAS INSTRUCCIONES. El incumplimiento de las instrucciones señaladas abajo y en la máquina puede causar descargas eléctricas, incendios y/o lesiones serias.

LEA TODAS LAS INSTRUCCIONES

- Esta máquina de corte es capaz de amputar manos y pies, y de lanzar objetos. La inobservancia de todas las instrucciones de seguridad puede causar lesiones serias o la muerte.
- Evite ambientes peligrosos — No use la podadora de pasto en condiciones húmedas o mojadas ni la utilice en la lluvia.
- Mantenga alejados a los niños — Mantenga alejados a todos los circunstantes, niños y animales a una distancia mínima de 30,5 m (100 pies). Detenga la máquina si alguien ingresa al área.
- Pueden producirse accidentes trágicos si el operador no está alerta a la presencia de niños. Los niños suelen sentirse atraídos por la máquina y la actividad de la podadora. Nunca dé por sentado que los niños permanecerán donde los vio por última vez.
 - Mantenga a los niños alejados del área de podado y bajo la cuidadosa supervisión de un adulto responsable que no sea el operador.
 - Esté alerta y apague la podadora si un niño entra en el área.
 - Nunca permita que un niño utilice la máquina.
 - Tenga cuidado extremo al acercarse a esquinas ciegas, arbustos, árboles u otros objetos que puedan impedirle ver a un niño.
- Vístase adecuadamente — Póngase pantalones largos de tela gruesa, mangas largas, botas y guantes. No se ponga ropa holgada o pantalones cortos, sandales ni ande descalzo. No se ponga joyas de ninguna clase. Pueden quedar atrapadas en las piezas móviles.
- Ne pas travailler hors de portée — Toujours se tenir bien campé et en équilibre. Se puede perder el equilibrio al tratar de alcanzar demasiado lejos.
- No accione el equipo cuando esté descalzo o al llevar puestas sandalias o calzado liviano similar. Use calzado de seguridad que le proteja sus pies y mejore su postura en superficies resbaladizas.
- No deje desatendida la podadora de pasto mientras la tenga encendida o con la llave de arranque instalada.
- Mantenga las manos y los pies alejados del área de corte. Manténgase alejado de la abertura de descarga en todo momento.
- Utilice la podadora de pasto únicamente a la luz del día o con buena luz artificial.
- Siempre use gafas de seguridad con protección lateral. Los anteojos comunes sólo tienen lentes resistentes a los impactos. NO son anteojos de seguridad. Con el cumplimiento de esta regla se reduce el riesgo de posibles lesiones oculares. Use una careta si la operación genera mucho polvo.
- Utilice gafas de seguridad — Siempre utilice protección para los ojos con escudos laterales que cumplan con ANSI Z87.1. Si el proceso es polvoriento, utilice una careta.
- Utilice el aparato adecuado para la tarea — No utilice la podadora de pasto para ninguna función diferente de las especificadas.
- No fuerce la podadora de pasto — Efectúa el trabajo mejor y de manera más segura, si se utiliza a la velocidad para la que está diseñada.
- No cargue la cortadora de césped bajo la lluvia o en ubicaciones húmedas.
- Permanezca alerta — Preste atención a lo que esté haciendo y use el sentido común al utilizar la podadora de pasto. No utilice la podadora cuando está cansado, molesto o bajo la influencia de drogas, alcohol o medicamentos. Un momento de descuido al utilizar la podadora de pasto puede causar lesiones serias.
- Mantenga la podadora de pasto con cuidado - Mantenga la máquina en buenas condiciones de trabajo. Mantenga las cuchillas afiladas, y las protecciones en su lugar y en buenas condiciones de trabajo. Reemplace las cuchillas dañadas o desgastadas de forma irregular antes de usar la podadora para obtener el mejor desempeño.
- Revise el apriete de todas las tuercas, pernos y tornillos con frecuencia para verificar la seguridad de las condiciones de funcionamiento del equipo. Las cuchillas de la podadora son filosas. Envuelva la cuchilla o utilice guantes y sea extremadamente precavido cuando las repare.
- No deseche la batería en el fuego. Las baterías pueden estallar. Verifique los códigos de la localidad para conocer posibles instrucciones especiales para desecharlas.
- Apague el motor y espere hasta que la cuchilla se detenga completamente y retire la llave de arranque de fusible y paquete de baterías antes de dar servicio a la unidad, de limpiar la podadora de pasto, retirar el receptor de hierba o extraer el tapón para trituración de pasto para fertilizar.
- **Nunca use una manguera, agua ni otros líquidos para limpiar o enjuagar la podadora.** Los líquidos corrosivos, el agua, los fertilizantes y los productos químicos utilizados con las podadoras pueden ingresar a la unidad o al compartimiento de la batería y dañar los componentes eléctricos o el paquete de la batería, lo que podría resultar en un corto circuito, mayor riesgo de incendio, descarga eléctrica y lesiones personales graves. Retire la acumulación de pasto y hojas alrededor de la carcasa de la podadora o debajo de la plataforma

INSTRUCCIONES DE SEGURIDAD IMPORTANTES

de la podadora. Limpie la podadora con un trapo seco de manera ocasional.

- Cambie la cuchilla si está doblada o fisurada. Una cuchilla mal equilibrada ocasiona vibraciones que podrían dañar la unidad impulsora del motor o causar lesiones personales. Afíle la cuchilla desafilada de la misma manera en cada extremo para mantener el equilibrio. Limpie profundamente la cuchilla y verifique el equilibrio apoyándola horizontalmente sobre un clavo delgado a través del orificio central. El clavo debe encontrarse en posición horizontal. Si alguno de los extremos del a cuchilla gira hacia abajo, extraiga algo de metal de la parte pesada del extremo inferior hasta que la cuchilla quede equilibrada. La cuchilla estará equilibrada cuando ninguno de los extremos gire hacia abajo.
- Cuando no está en uso, la podadora debe guardarse en el interior, en un lugar seco y cerrado con llave de arranque, lejos del alcance de los niños. Retire la llave de arranque y guárdela en un lugar apartado fuera del alcance de los niños.
- Siempre utilice dispositivos de protección. No utilice la podadora si no tiene el receptor de hierba, la protección de descarga, el tapón para trituración de pasto y la puerta de descarga trasera en sus debidos lugares y en perfectas condiciones de funcionamiento.
- No abra ni dañe el paquete de pilas. El electrolito emitido es corrosivo y puede causar daños en los ojos y en la piel. Puede ser tóxico si se ingiere.
- Siga las instrucciones del fabricante para el correcto manejo e instalación de los accesorios. Sólo utilice accesorios aprobados por el fabricante.
- Tenga cuidado cuando maneje baterías a fin de no realizar un cortocircuito en la batería con materiales conductores como anillos, brazaletes y llaves. La batería o el conductor pueden recalentarse y provocar quemaduras.
- Para reducir el riesgo de una descarga eléctrica, este producto dispone de clavija polarizada (una patilla es más ancha que la otra) y requiere un cordón de extensión polarizado. La clavija del artefacto encaja en el cordón de extensión polarizado solo en una dirección. Si la clavija no entra completamente en el cordón de extensión, invierta la posición de la misma. Si aún así no entra la clavija, obtenga un cordón de extensión polarizado correcto. El cordón de extensión polarizado requiere el uso de un tomacorrientes de pared polarizado. Esta clavija encaja de una sola forma en un tomacorriente polarizado. Si la clavija no entra completamente en el tomacorriente de pared, invierta la posición de la clavija. Si aún así no entra la clavija, contrate a un electricista calificado para encargarle la instalación de una toma de pared adecuada. No cambie de ninguna manera la clavija del producto, ni el enchufe o la clavija del cordón de extensión.
- Los circuitos o las tomas de corriente donde se conecta este producto deben estar protegidos con un interruptor de circuito accionado por falla de conexión a tierra (GFCI). Hay receptáculos con la protección de un GFCI integrado, y pueden utilizarse para contar con esta característica de seguridad.
- Inspeccione periódicamente el cordón de la podadora, y si está dañado, permita que lo reparen en un establecimiento de servicio autorizado. Revise periódicamente los prolongadores y reemplácelos si están dañados. Mantenga los mangos secos, limpios y sin aceite ni grasa.
- Advertencia — Para reducir el riesgo de descarga eléctrica, utilice solo con un cordón de extensión adecuado para el uso exterior, como el cordón de extensión tipos SW, SOW, STW, STOW, SJW, SJOW, SJTW, or SJTOW.
- Cordón de extensión - Asegúrese de que esté en buen estado el cordón de extensión. Al utilizar un cordón de extensión, utilice uno del suficiente calibre para soportar la corriente que consume el producto. Para largos menores a 15,2 metros (50 pies) se debe usar un cable de extensión calibre 14 AWG. Un cordón de un grueso insuficiente causa una caída en el voltaje de línea, y produce recalentamiento y pérdida de potencia. Para reducir la probabilidad de que la podadora se desconecte del conjunto del cable durante su uso, use el retén de cable que se describe en este manual (Figura 9).
- No haga mal uso del cordón — Nunca tire de la podadora desde el cable ni tire de él para desconectarlo del receptáculo. Mantenga el cordón eléctrico alejado del calor, del aceite y de los bordes afilados.
- Existe riesgo de muerte o de lesiones físicas graves si entra en contacto con líneas de conducción o cables eléctricos. Nunca accione la podadora sobre de fuentes de electricidad o cables.
- Despeje el área de trabajo cada vez antes de utilizar esta herramienta. Retire todos los objetos como piedras, palos, metal, alambre, huesos, juguetes u otros objetos que puedan ser lanzados por la cuchilla. Permanezca detrás del mango mientras el motor esté en funcionamiento.
- Evite pozos, surcos, montículos, rocas, estacas que indican los límites de la propiedad u otros objetos ocultos. El terreno desnivelado puede causar un accidente por resbalón y caída.
- No pade el pasto cerca de precipicios, zanjas o terraplenes.
- Pude atravesando el frente de las pendientes; nunca hacia arriba ni hacia abajo. Tenga mucha precaución al cambiar de dirección en una pendiente.
- Planifique su patrón de podado para evitar la descarga de material en caminos, aceras, circunstancias y demás. Además, evite descargar material contra una pared u obstrucción que pueda hacer que el material rebote hacia el operador.
- No pade la hierba cuando está mojada ni en pendientes excesivamente empinadas. Una postura mal afirmada

INSTRUCCIONES DE SEGURIDAD IMPORTANTES

puede causar un accidente por resbalón y caída. Camine, no corra nunca.

- Tenga cuidado extremo al acercarse a esquinas ciegas, arbustos, árboles u otros objetos que puedan impedirle ver.
- No tire de la podadora hacia atrás a menos que sea absolutamente necesario. Si debe retroceder la podadora para alejarla de una pared u obstrucción, primero mire hacia abajo y hacia atrás para evitar tropezar o tirando la podadora hacia los pies.
- Nunca dirija el material descargado hacia una persona. Evite descargar el material contra una pared u obstrucción. El material puede rebotar hacia el operador. Detenga la cuchilla cuando cruce por superficies de grava.
- Los objetos golpeados por la cuchilla de la podadora de pasto pueden causar graves heridas a las personas. Siempre debe examinarse el pasto con cuidado y despejarlo de cualquier objeto antes de cada poda.
- Si la podadora de pasto golpea un objeto extraño, siga estos pasos:
 - Detenga la podadora de césped soltando el palanca de control de la hoja, espere hasta que la cuchilla se detenga por completo y luego desconecte la clavija del suministro de corriente.
 - Retire la llave de arranque.
 - Inspeccione minuciosamente la podadora para ver si tiene daños.
 - Reemplace la cuchilla si presenta algún tipo de daño. Repare todo daño antes de volver a arrancar la podadora y continuar utilizándola.
- Detenga el motor, espere hasta que la cuchilla se detenga por completo y retire la llave de arranque de fusible, paquete de baterías y desconecte la clavija del suministro de corriente. antes de limpiar la bolsa colectora. La cuchilla continúa girando durante algunos segundos después de que se apaga el motor. Nunca coloque ninguna parte del cuerpo en el área de la cuchilla hasta que esté seguro de que la cuchilla ha dejado de girar.
- Si la podadora comienza a vibrar de manera anormal, detenga el motor e inspecciónela inmediatamente para determinar la causa. Reemplace la cuchilla si presenta algún tipo de daño o si se ha desgastado de forma irregular. La vibración es generalmente una advertencia de problemas.
- Sólo personal de reparación calificado debe dar servicio al producto. Todo servicio o mantenimiento efectuado por personal no calificado puede significar un riesgo de lesiones al usuario, y de daños físicos al producto.
- Al dar servicio a este producto, sólo utilice únicamente repuestos idénticos. Utilice solo cuchillas de repuesto idénticas a las originales. El empleo de piezas no autorizadas puede significar un riesgo de lesiones serias al usuario, o de daños físicos al producto.
- Mantenga las etiquetas de instrucciones de seguridad en buen estado o cámbielas, según sea necesario.
- Desconecte el enchufe de la fuente de corriente, retire la llave de arranque de fusible y el paquete de baterías – Desconecte el enchufe de la fuente de corriente o retire la llave de arranque de fusible y el paquete de baterías antes de guardar la herramienta, servicio, o cambie los aditamentos como una hojas. Tales medidas preventivas de seguridad reducen el riesgo de poner en marcha accidentalmente la herramienta.
- Apague la unidad y desconecte el enchufe de la fuente de corriente, retire paquete de baterías y llave de arranque cuando no esté en uso. Traslade o transporte la unidad con el motor apagado y la llave de arranque y el paquete de baterías ya retirados de la podadora.
- Las herramientas de baterías no se necesitan conectar a una toma de corriente; por lo tanto, siempre están en condiciones de funcionamiento. Esté consciente de los posibles peligros cuando no esté usando la herramienta de baterías o cuando esté cambiando los accesorios de la misma. Con el cumplimiento de esta regla se reduce el riesgo de una descarga eléctrica, incendio o lesión corporal seria.
- No use aparatos accionados por baterías en la lluvia.
- Quite o desconecte la batería antes de proporcionarle servicio, realizarle una limpieza o quitar material del aparato para el cuidado del jardín.
- Usar este producto únicamente con la baterías y el cargadors indicados en el folleto de la herramienta/ aparato/paquete de baterías/cargador complementario 987000-432.
- Guarde en el interior los aparatos que no se están usando — Cuando no se está usando, se debe guardar la recortadora de hilo en el interior, en un lugar seco y cerrado con llave de arranque, inaccesible a los niños. También debe extraer la llave de arranque y los paquetes de baterías y almacenarlos en una ubicación separada lejos del alcance de los niños.
- Siga las instrucciones para lubricar y cambiar accesorios.
- Mantenga las protecciones en su lugar y en perfectas condiciones.
- Mantenga las cuchillas afiladas.
- Mantenga las manos y los pies alejados del área de corte.
- Solo permita que esta máquina sea operada por personas adultas responsables que estén familiarizadas con las instrucciones.
- Nunca opere la máquina en un espacio cerrado.
- Nunca altere los dispositivos de seguridad. Compruebe periódicamente que la máquina funcione correctamente.
- Guarde estas instrucciones. Consúltelas con frecuencia y empléelas para instruir a otras personas que puedan utilizar esta herramienta. Si presta a alguien esta herramienta, facilítele también las instrucciones.

ASPECTOS ELÉCTRICOS (corr. alt.)

DOBLE AISLAMIENTO

El doble aislamiento es una característica de seguridad de las herramientas eléctricas, la cual elimina la necesidad de usar el típico cordón eléctrico de tres conductores con conexión a tierra. Todas las partes metálicas expuestas están aisladas de los componentes metálicos internos del motor por medio de aislamiento de protección. No es necesario conectar a tierra las herramientas con doble aislamiento.

ADVERTENCIA:

El sistema de doble aislamiento está destinado a proteger al usuario contra las descargas eléctricas resultantes de la ruptura del aislamiento interno de la herramienta. Observe todas las precauciones de seguridad para evitar descargas eléctricas.

NOTA: El mantenimiento de un producto con doble aislamiento requiere sumo cuidado y conocimiento del sistema, y únicamente deben realizarlo técnicos de servicio calificados. Para el servicio de la producto, le sugerimos llevarla al centro de servicio autorizado más cercano para toda reparación. Siempre utilice piezas de repuesto de la fábrica original al dar servicio a la unidad.

CONEXIÓN ELÉCTRICA

Este producto dispone de un motor eléctrico fabricado con precisión. Debe conectarse únicamente a **un suministro de voltaje que tenga capacidad de 120 V/60 Hz CA (típico circuito hogareño de EE. UU.)**. Una caída de voltaje significativa provocará una pérdida de alimentación y se sobrecalentará el motor, excepto cuando está instalado el paquete de baterías. Si el producto no funciona al conectarla en una toma de corriente, vuelva a verificar el suministro de voltaje.

GFCI

Los circuitos o las tomas de corriente donde se conecta este producto deben estar protegidos con un interruptor de circuito accionado por falla de conexión a tierra (GFCI). Hay receptáculos con la protección de un GFCI integrado, y pueden utilizarse para contar con esta característica de seguridad.

CORDONES DE EXTENSIÓN

Al utilizar un producto eléctrica a una distancia considerable de la fuente de voltaje, asegúrese de utilizar un cordón de extensión con la suficiente capacidad para soportar la corriente de consumo de el producto. Un cordón de un calibre insuficiente causa una caída en el voltaje de línea, la cual a su vez produce recalentamiento y pérdida de potencia. Básese en la tabla suministrada para determinar el grueso mínimo requerido del cordón de extensión. Solamente deben utilizarse cordones con forro redondo registrados en Underwriter's Laboratories (UL).

Al trabajar a la intemperie con un producto, utilice un cordón de extensión fabricado para uso en el exterior. Este tipo de cordón lleva las letras "W-A" o "W" en el forro.

Antes de utilizar un cordón de extensión, inspecciónelo para ver si tiene conductores flojos o expuestos y aislamiento cortado o gastado.

Asegúrese de que el cordón de extensión estén conectados de manera segura como se muestra en la figura 9, luego conecte el extremo de la clavija en el extremo del receptáculo del cable de extensión. Verifique que la conexión es segura.

**Amperaje (aparece en la placa de datos de el producto)

0-2,0 2,1-3,4 3,5-5,0 5,1-7,0 7,1-12,0 12,1-16,0

Longitud del cordón	Calibre conductores (A.W.G.)					
	16	16	16	16	14	14
25'	16	16	16	16	14	14
50'	16	16	16	14	14	12
100'	16	16	14	12	10	—

**Se usa en los circuitos de calibre 12, de 20 amperes

NOTA: AWG = American Wire Gauge

ADVERTENCIA:

Mantenga el cordón de extensión fuera del área de trabajo. Al trabajar con una herramienta eléctrica, coloque el cordón de tal manera que no pueda enredarse en la madera, herramientas ni en otras obstrucciones. La inobservancia de esta advertencia puede causar lesiones serias.

ADVERTENCIA:

Inspeccione los cordones de extensión cada vez antes de usarlos. Si están dañados reemplácelos de inmediato. Nunca utilice la producto con un cordón dañado, ya que si toca la parte dañada puede producirse una descarga eléctrica, y las consecuentes lesiones serias.




Para reducir el riesgo de una descarga eléctrica, este producto dispone de clavija polarizada (una patilla es más ancha que la otra) y requiere un cordón de extensión polarizado. La clavija del artefacto encaja en el cordón de extensión polarizado solo en una dirección. Si la clavija no entra completamente en el cordón de extensión, invierta la posición de la misma. Si aún así no entra la clavija, obtenga un cordón de extensión polarizado correcto. El cordón de extensión polarizado requiere el uso de un tomacorrientes de pared polarizado. Esta clavija encaja en una sola forma en un tomacorriente polarizado. Si la clavija no entra completamente en el tomacorriente de pared, invierta la posición de la clavija. Si aún así no entra la clavija, contrate a un electricista calificado para encargarle la instalación de una toma de pared adecuada. No cambie de ninguna manera la clavija del producto, ni el enchufe o la clavija del cordón de extensión.

ADVERTENCIA:










Para reducir el riesgo de descarga eléctrica, utilice solo con un cordón de extensión adecuado para el uso exterior, como el cordón de extensión tipos SW-A, SOW-A, STW-A, STOW-A, SJW-A, SJOW-A, SJTW-A. o SJTOW-A.

SÍMBOLOS

Las siguientes palabras de señalización y sus significados tienen el objeto de explicar los niveles de riesgo relacionados con este producto.





SÍMBOLO	SEÑAL	SIGNIFICADO
	PELIGRO:	Indica una situación peligrosa, la cual, si no se evita, causará la muerte o lesiones serias.
	ADVERTENCIA:	Indica una situación peligrosa, la cual, si no se evita, podría causar la muerte o lesiones serias.
	PRECAUCIÓN:	Indica una situación peligrosa la cual, si no se evita, puede causar lesiones leves o moderadas.
	AVISO:	(Sin el símbolo de alerta de seguridad) Indica la información que se considera importante, pero no relacionada con lesiones potenciales (por ej. en relación a daños a la propiedad).

Es posible que se empleen en este producto algunos de los siguientes símbolos. Le suplicamos estudiarlos y aprender su significado. Una correcta interpretación de estos símbolos le permitirá utilizar mejor y de manera más segura el producto.

SÍMBOLO	NOMBRE	DENOMINACIÓN/EXPLICACIÓN
	Alerta de seguridad	Indica un peligro posible de lesiones personales.
	Lea manual del operador	Para reducir el riesgo de lesiones, el usuario debe leer y comprender el manual del operador antes de usar este producto.
	Protección ocular	Siempre póngase protección ocular con protección lateral con la marca de cumplimiento de la norma ANSI Z87.1.
	No pade sobre cables eléctricos	Existe riesgo de muerte o de lesiones físicas graves si se entra en contacto con las líneas de conducción o cables eléctricos. Nunca utilice la podadora sobre fuentes de electricidad, cables o alambres.
	Alerta de condiciones húmedas	Riesgo de incendio y quemaduras. No exponga la batería, el compartimento de la batería o componentes electrónicos a la lluvia, el agua o líquidos. Cierre la tapa durante el uso. No use la herramienta en pisos húmedos.
	Descarga eléctrica	Si no se usa la unidad en condiciones secas y no se observan prácticas seguras de trabajo, puede producirse una descarga eléctrica.
	Mantenga las manos y los pies alejados.	Mantenga las manos y los pies alejados de las cuchillas y del área de corte.
	No extenderse	No extienda las manos o los pies por debajo de la cubierta de la podadora.
	No utilizar sobre pendientes	No utilice la podadora sobre pendientes superiores a los 15°. Corte sobre la superficie de las pendientes y nunca de arriba a abajo.

SÍMBOLOS

Es posible que se empleen en este producto algunos de los siguientes símbolos. Le suplicamos estudiarlos y aprender su significado. Una correcta interpretación de estos símbolos le permitirá utilizar mejor y de manera más segura el producto.

SÍMBOLO	NOMBRE	DENOMINACIÓN/EXPLICACIÓN
	Mantenga alejados a los niños y circunstantes	Mantenga a los niños y otras personas alejadas a una distancia mínima de 30,5 m (100 pies).
	Rebote	Cualquier objeto lanzado puede rebotar y producir lesiones personales o daños físicos.
	Símbolo de reciclado	Este producto utiliza baterías de iones de litio (Li-ion). Es posible que algunas leyes municipales, estatales o federales prohíban desechar las baterías en la basura normal. Consulte a las autoridades reguladoras de desechos para obtener información en relación con las alternativas de reciclado y desecho disponibles.
V	Volts	Voltaje
A	Amperes	Corriente
Hz	Hertz	Frecuencia (ciclos por segundo)
W	Watts	Potencia
hrs	Horas	Tiempo
≡	Corriente continua	Tipo o característica de corriente
~	Corriente alterna	Tipo de corriente
	Outil de classe II	Fabricación con doble aislamiento

CARACTERÍSTICAS

ESPECIFICACIONES DEL PRODUCTO

Motor..... 18 V DC
capacidad de 120 V/60 Hz CA únicamente, 7 A
Trayectoria de corte..... 406,4 mm (16 pulg.)

Ajustes de altura..... 31,8 mm à 88,9 mm
(1,25 pulg. à 3,5 pulg.)
Tamaño de las ruedas..... 152,4 mm (6 pulg.) delanteras
203,2 mm (8 pulg.) traseras

FAMILIARÍCESE CON SU PODADORA DE PASTO

Vea la figura 1.

Para usar este producto con la debida seguridad se debe comprender la información indicada en el producto mismo y en este manual, y se debe comprender también el trabajo que intenta realizar. Antes de usar este producto, familiarícese con todas las características de funcionamiento y normas de seguridad del mismo.

TAPA DE LAS BATERÍAS

La tapa de las baterías protege el compartimiento de las baterías de los residuos.

MOTOR SIN ESCOBILLAS

Este producto cuenta con un motor sin escobillas que maximiza la potencia y el desempeño, así como el tiempo de funcionamiento de la batería.

MANGO DE ACARREO

La podadora cuenta con un mango de acarreo para facilitar el traslado.

RETÉN PARA EL CABLE

Un conveniente retén para el cable ayuda a sujetar la conexión del cable de extensión durante el funcionamiento de la recortadora de hilo.

PUERTOS DE BATERÍAS DOBLES

Este producto cuenta con puertos de baterías dobles para maximizar la potencia y minimizar el tiempo de inactividad durante el funcionamiento. Las baterías funcionan conjuntamente para proporcionar potencia continua a la unidad durante el funcionamiento.

RECEPTOR DE HIERBA

El receptor de hierba acumula lo que ya ha cortado y evita que se desparrame mientras continúa cortando el césped.

PALANCA DE AJUSTE DE ALTURA

La palanca de ajuste de altura brinda ajustes de la altura de corte.

CONJUNTO DE CONTROL DEL MOTOR/CUCHILLA

El control de la motriz/hoja, localizado en el asidero superior del cortacésped, comprometiendo y suelta el motor y la hoja.

TAPÓN PARA TRITURACIÓN

La podadora está equipada con un tapón para trituración que cubre la abertura de descarga trasera y que permite que las cuchillas de la podadora corten y recorten el césped más fino.

LLAVE DE ARRANQUE

La llave de arranque debe introducirse antes de arrancar la podadora.

ARMADO

DESEMPAQUETADO

Este producto requiere armarse.

- Extraiga cuidadosamente de la caja la herramienta y los accesorios. Asegúrese de que estén presentes todos los artículos enumerados en la lista de empaquetado.

ADVERTENCIA:

No utilice este producto si alguna pieza incluida en la lista de empaquetado ya está ensamblada al producto cuando lo desempaqueta. El fabricante no ensambla las piezas de esta lista en el producto. Éstas deben ser instaladas por el usuario. El uso de un producto que puede haber sido ensamblado de forma inadecuada podría causar lesiones personales graves.

- Inspeccione cuidadosamente la herramienta para asegurarse de que no haya sufrido ninguna rotura o daño durante el transporte.
- No deseche el material de empaquetado sin haber inspeccionado cuidadosamente la herramienta y haberla utilizado satisfactoriamente.
- Si hay piezas dañadas o faltantes, le suplicamos llamar al 1-800-860-4050, donde le brindaremos asistencia.

ADVERTENCIA:

Si hay piezas dañadas o faltantes, no utilice este producto sin haber reemplazado todas las piezas. Usar este producto con partes dañadas o faltantes puede causar lesiones serias al operador.

ADVERTENCIA:

No intente modificar este producto ni hacer accesorios no recomendados para el mismo. Cualquier alteración o modificación constituye maltrato y puede causar una condición peligrosa, y como consecuencia posibles lesiones serias.

ADVERTENCIA:

No meta llave de arranque, paquetes de baterías o conecte el enchufe de la fuente de corriente haber terminado de armarla y usted está listo para cortar. De lo contrario la unidad puede ponerse en marcha accidentalmente, con el consiguiente riesgo de lesiones serias.

ADVERTENCIA:

Para prevenir empezar accidental, no hace ningún ajuste ni las instalaciones con la llave de arranque o paquete de baterías o el enchufe de la fuente de corriente metida. El arranque accidental de la podadora durante el armado puede causar lesiones graves.

ADVERTENCIA:

Nunca utilice la podadora sin que los dispositivos de seguridad adecuados estén colocados y en funcionamiento. Nunca utilice la podadora con dispositivos de seguridad dañados. El funcionamiento de la podadora con piezas dañadas o faltantes puede ocasionar lesiones graves.

LISTA DE EMPAQUETADO

Podadora
Llave de arranque
Tapón para trituración
Receptor de hierba
Manual del operador

DESPLEGAR Y AJUSTAR EL CONJUNTO DE MANGOS

Vea las figuras 2 y 3.

Para levantar el conjunto de los mangos:

- Abra las trabas del mango inferior.
- Tire hacia arriba y hacia atrás del mango inferior hasta que quede alineado con la ranura que se encuentra entre las trabas del mango y la carcasa de la podadora.

NOTA: Si le resulta difícil mover el mango inferior, gire las trabas del mango inferior en el sentido en el sentido contrario a las agujas del reloj para liberar el mango.

- Para fijar el mango inferior en su posición, cierre las trabas del mango inferior.

NOTA: Si el mango inferior está flojo o si no está totalmente asentado en la ranura, gire las trabas en el sentido contrario a las agujas del reloj para fijarlo.

- Abra las trabas del mango superior.
- Tire hacia arriba y hacia atrás del mango superior para elevarlo hasta la posición de operación. Asegúrese de que el mango inferior esté asentado en las ranuras de la parte inferior del mango superior.

AVISO:

No permita que se pellizque o se enreden el cable del arrancador al subir el mango.

ARMADO

- Para fijar el mango superior en su posición, cierre las trabas del mango superior.

NOTA: Si el mango superior está flojo o separado del mango inferior, apriete las perillas de las trabas del mango superior haciéndolas girar en el sentido de las agujas del reloj.

Para bajar el conjunto de los mangos:

- Abra las trabas del mango superior.

NOTA: Si le resulta difícil abrir la traba del mango, afloje las perillas de las trabas del mango superior haciéndolas girar en sentido contrario a las agujas del reloj.

- Baje el mango superior.
- Abra la traba del mango inferior.
- Ejerza presión hacia afuera sobre cada uno de los laterales del mango inferior hasta que salga de la ranura. Posteriormente, pliegue el mango hacia la parte frontal de la unidad. Evite doblar o atrapar cables.

INSTALACIÓN DEL TAPÓN PARA TRITURACIÓN (PARA LA OPERACIÓN DE TRITURACIÓN)

Vea la figura 4.

NOTA: Cuando se usa la tapón para trituración, no instala el receptor de hierba.

- Retire la llave de arranque de fusible, el paquete de baterías y desconecte el suministro de alimentación.
- Levante y sujete la puerta de descarga posterior.
- Sostenga la tapón para trituración del mango e insértelo inclinándolo levemente, como se muestra.
- Empuje firmemente el tapón para trituración en su lugar.
- Suelte la puerta de descarga posterior.
- Vuelva a instalar la llave de arranque y el paquete de baterías o el suministro de alimentación cuando esté listo para podar el pasto.

INSTALACIÓN DEL RECEPTOR DE HIERBA (OPERACIÓN DE ENSACADO TRASERO)

Vea la figura 5 y 6.

NOTA: Cuando se usa el receptor de hierba, no instala el tapón para trituración.

- Retire la llave de arranque de fusible, el paquete de baterías y desconecte el suministro de alimentación.
- Levante la puerta de descarga posterior.
- Levante el receptor de hierba por su mango y colóquelo debajo de la puerta de descarga posterior de modo que los ganchos del receptor de hierba queden asentados en la caja del podadora.
- Suelte la puerta de descarga posterior.
- Vuelva a instalar la llave de arranque y el paquete de baterías o el suministro de alimentación cuando esté listo para podar el pasto.

AJUSTE DE LA ALTURA DE LA CUCHILLA

Vea la figura 7.

Para enviarlas, las ruedas de la podadora se ajustan en una posición de corte bajo. Antes de usar la podadora por primera vez, ajuste la posición de corte a la altura más adecuada para su pasto. El pasto promedio debe tener una longitud de entre 38 mm (1-1/2 pulg.) y 51 mm (2 pulg.) durante los meses fríos, y entre 51 mm (2 pulg.) y 83 mm (3-1/4 pulg.) durante los meses calurosos.

Para ajustar la altura de la cuchilla:

- Retire la llave de arranque de fusible, el paquete de baterías y desconecte el suministro de alimentación.
baterías.
- Para levantar la altura de la cuchilla, tome la palanca de ajuste de altura y muévala hacia la parte posterior de la podadora.
- Para bajar la altura de la cuchilla, tome la palanca de ajuste de altura y muévala hacia la parte delantera de la podadora.
- Vuelva a instalar la llave de arranque y el paquete de baterías o el suministro de alimentación cuando esté listo para podar el pasto.

FUNCIONAMIENTO

PELIGRO:

Existe riesgo de muerte o de lesiones físicas graves si se entra en contacto con las líneas de conducción o cables eléctricos. Nunca utilice la podadora sobre fuentes de electricidad, cables o alambres.

ADVERTENCIA:

No permita que su familiarización con este tipo de producto lo vuelva descuidado. Tenga presente que un descuido de un instante es suficiente para causar una lesión grave.

ADVERTENCIA:

Siempre utilice protección para los ojos con escudos laterales que cumplan con ANSI Z87.1. La inobservancia de esta advertencia puede causar el lanzamiento de objetos a los ojos, y por consecuencia posibles lesiones serias.

ADVERTENCIA:

No utilice ningún aditamento o accesorio no recomendado por el fabricante de este producto. El empleo de aditamentos o accesorios no recomendados puede causar lesiones serias.

ADVERTENCIA:

Antes de cada uso, inspeccione todo el producto para detectar algún daño, partes faltantes o sueltas la cuchilla no esté dañada o desgastada. El funcionamiento de la podadora con piezas dañadas o faltantes puede ocasionar lesiones graves.

ADVERTENCIA:

Desconecte siempre el suministro de alimentación, retire el paquete de baterías y llave de arranque de la herramienta antes de instalar las piezas, realizar ajustes, limpiarla o cuando no la utilice. Retirar el paquete de baterías y llave de arranque evitará que la unidad se accione accidentalmente y provoque lesiones graves.

USOS

Esta herramienta puede emplearse para el fin señalado abajo:

- Podar el pasto

PARA DESMONTAR Y MONTAR EL PAQUETE DE BATERÍAS

Vea la figura 8.

Para conectar:

- Abra la tapa de las baterías.
- Coloque el paquete de baterías en la podadora. Alinee la costilla realzada exterior del paquete de baterías con la ranura interior del receptáculo para pilas de la podadora.
- Antes de empezar a utilizar la unidad, asegúrese de que los pestillos situados en ambos lados del paquete de baterías entren completamente en su lugar con un chasquido, y de que el paquete quede bien fijo en la podadora.

AVISO:

Al colocar el paquete de baterías en la herramienta, asegúrese que la costilla realzada del mismo quede alineada con la parte inferior de la herramienta y de que los pestillos entren adecuadamente en su lugar. Si no se instala debidamente el paquete de baterías pueden dañarse los componentes internos.

NOTA: Para evitar lesiones corporales serias, siempre desmonte de la herramienta el paquete de baterías y mantenga manos vacías del botón del seguro al llevar herramienta.

Para el desmontaje:

- Localice los pestillos situados en el costado del paquete de baterías y oprímalos en ambos lados para liberar éste de la podadora.

ADVERTENCIA:

Para evitar un arranque accidental que pueda provocar lesiones personales graves, siempre extraiga la llave de arranque cuando mueva o transporte la podadora.

Para obtener instrucciones específicas de carga, lea el manual del operador que se incluye con el cargador y la batería.

INSTALACIÓN/DESMONTAR DEL CORDONES DE EXTENSIÓN

Vea la figura 9.

- Retire la llave de arranque de fusible y el paquetes de baterías.
- Inserte el extremo hembra del cable de alimentación dentro del producto como se muestra.
- Conecte el extremo macho del cable de alimentación a la fuente de alimentación.
- Asegúrese de que el cable de alimentación esté asegurado antes de comenzar con el funcionamiento.

FUNCIONAMIENTO

AVISO:

Siempre utilice un retén para cables de manera de conectar correctamente el cable de extensión a la podadora. Si no utiliza un retén para cables, puede dañar la podadora y/o el cable de extensión.

ENCENDIDO Y APAGADO DE LA PODADORA

Vea las figuras 10 y 11.

- Abra la tapa de las baterías.
- Deslice el interruptor de selección de energía hacia la fuente de energía que va a usar.
- Instalar el paquete de baterías o conecte el suministro de alimentación.

NOTA: La unidad funcionará con solo un paquete de baterías instalado. Utilizar la unidad con un paquete de baterías disminuirá el tiempo de funcionamiento significativamente.

- Coloque la llave de arranque en la ranura al lado de la receptáculo para baterías.
- Cierre la tapa de las baterías.
- Oprima y no suelte el botón de arranque. Tire del palanca hacia el mango y suelte el botón para arrancar la podadora.
- Para detener la podadora, suelte el palanca.

SUGERENCIAS PARA EL PODADO

- Asegúrese de que el pasto no tenga piedras, palos, alambres ni otros objetos que puedan dañar las cuchillas o el motor de la podadora de pasto. No corte sobre estacas que indican los límites de la propiedad o sobre otros postes metálicos. Dichos objetos podrían ser dañados o lanzados accidentalmente por la podadora en cualquier dirección y provocar lesiones serias al operador y a otras personas.
- Para tener un pasto saludable, siempre corte un tercio o menos de la longitud total de la hierba.
- Al cortar hierba frondosa, reduzca la velocidad mientras camina para poder obtener un corte más eficaz y una descarga adecuada de los recortes.
- No corte la hierba cuando esté mojada. Se pegará a la parte inferior del piso e impedirá evita el embolsado o la trituración adecuada del césped cortado.
- La hierba nueva o gruesa puede requerir un corte más bajo o una mayor altura de corte.
- Limpie la parte inferior del piso de la podadora después de cada uso para eliminar recortes de hierba, hojas, suciedad y otros desechos acumulados.

NOTA: Siempre detenga la podadora, permita que las hojas se detengan completamente, retire la llave de arranque, extraiga el paquete de baterías del puerto de la batería y desconecte el suministro de alimentación antes de limpiar debajo de la podadora.

MANEJO EN PENDIENTES

Vea la figura 12.



ADVERTENCIA:

Las pendientes son una de las causas principales de accidentes por resbalones y caídas que pueden provocar lesiones graves. El manejo en pendientes requiere precaución extra. Si se siente inseguro en una pendiente, no la podes. Para su seguridad, no intente podar pendientes de más de 15 grados.

- Podes atravesando las pendientes; no hacia arriba ni hacia abajo. Tenga mucha precaución al cambiar de dirección en una pendiente.
- Tenga cuidado con los pozos, surcos, piedras, objetos ocultos o montículos que puedan provocar que se resbale o tropiece. La hierba alta puede ocultar obstáculos. Retire todos los objetos como piedras, ramas de árboles, etc., que puedan provocar tropezones o ser lanzados por la cuchilla.
- Siempre asegúrese de su postura. Un resbalón y caída puede provocar lesiones serias. Si siente que está perdiendo el equilibrio, suelte el palanca superior inmediatamente.
- No podes el pasto cerca de precipicios, zanjas o terraplenes; podría perder la firmeza de la postura o el equilibrio.

VACIADO DEL RECEPTOR DE HIERBA

Vea la figura 13.

- Detenga la podadora, y espere a que las cuchillas se detengan por completo.
- Abra la tapa de las baterías.
- Retire la llave de arranque de fusible, el paquete de baterías y desconecte el suministro de alimentación.
- Levante la puerta de descarga posterior.
- Levante el receptor de césped del mango para retirarlo de la podadora.
- Vacíe los recortes de hierba.
- Levante la puerta trasera y reinstale el receptor de césped como se indicó anteriormente en este manual.
- Vuelva a instalar la llave de arranque y el paquete de baterías o el suministro de alimentación cuando esté listo para podar el pasto.

MANTENIMIENTO

ADVERTENCIA:

Al dar servicio a la unidad, asegúrese de que la baterías y la llave de arranque se hayan retirado y desconecte el suministro de corriente para evitar el arranque accidental y posibles lesiones graves.

ADVERTENCIA:

Siempre póngase protección ocular con protección lateral con la marca de cumplimiento de la norma ANSI Z87.1. Si no cumple esta advertencia, los objetos que salen despedidos pueden producirle lesiones serias en los ojos.

ADVERTENCIA:

Al dar servicio a la unidad, sólo utilice piezas de repuesto autorizadas. El empleo de piezas diferentes puede causar un peligro o dañar el producto.

ADVERTENCIA:

Nunca use una manguera, agua ni otros líquidos para limpiar o enjuagar la podadora. Los líquidos corrosivos, el agua, los fertilizantes y los productos químicos utilizados con las podadoras pueden ingresar a la unidad o al compartimiento de la batería y dañar los componentes eléctricos o el paquete de la batería, lo que podría resultar en un corto circuito, mayor riesgo de incendio, descarga eléctrica y lesiones personales graves. Retire la acumulación de pasto y hojas alrededor de la carcasa de la podadora o debajo de la plataforma de la podadora. Limpie la podadora con un trapo seco de manera ocasional.

AVISO:

Inspeccione periódicamente todo el producto para detectar partes dañadas, faltantes o sueltas, como tornillos, tuercas, pernos, tapas, etc. Apriete firmemente todos los sujetadores y las tapas y no accione este producto hasta que todas las partes faltantes o dañadas sean reemplazadas. Póngase en contacto con el servicio al cliente o con un centro de servicio autorizado para obtener ayuda.

MANTENIMIENTO GENERAL

Evite el empleo de solventes al limpiar piezas de plástico. La mayoría de los plásticos son susceptibles a diferentes tipos de solventes comerciales y pueden resultar dañados. Utilice paños limpios para eliminar la suciedad, el polvo, el aceite, la grasa, etc.

ADVERTENCIA:

No permita en ningún momento que fluidos para frenos, gasolina, productos a base de petróleo, aceites penetrantes, etc., lleguen a tocar las piezas de plástico. Las sustancias químicas pueden dañar, debilitar o destruir el plástico, lo cual a su vez puede producir lesiones corporales serias.

Elimine la hierba y las hojas acumuladas sobre la cubierta del motor o a su alrededor. Limpie ocasionalmente la podadora con un paño seco. No utilice agua.

LUBRICACIÓN

Todos los cojinetes de este producto están lubricados con suficiente cantidad de aceite de alta calidad para toda la vida útil de la unidad en condiciones normales de funcionamiento. Por lo tanto, no se necesita lubricación adicional de los cojinetes.

ADVERTENCIA:

Siempre protéjase las manos usando guantes gruesos y/o envolviendo los bordes de corte de la cuchilla con paños y otro material al realizar el mantenimiento de la cuchilla. Contacto con la hoja podría causar lesiones serias.

REEMPLAZO DE LA CUCHILLA

Vea las figuras 14 y 15.

NOTA: Utilice únicamente piezas de repuesto autorizadas.

- Apague el motor y retire la llave de arranque. Permita que la cuchilla se detenga por completo.
- Retire la llave de arranque de fusible y el paquete de baterías y desconecte el suministro de alimentación.
- Gire la podadora sobre su costado.
- Introduzca a presión un bloque de madera entre la cuchilla y el piso de la podadora para evitar que la cuchilla gire.
- Afloje la tuerca de la cuchilla al girarlo a la izquierda (como se observa en la base de la podadora) usando una llave de arranque de tuercas o de boca tubular de 15 mm (no se suministra).
- Retire la tuerca de la cuchilla, el separador, el aislante de cuchilla y la cuchilla.
- Coloque la cuchilla nueva en el eje contra el conjunto del ventilador. Asegúrese de que la cuchilla esté correctamente asentada con el eje pasando por el orificio central de la cuchilla y los dos postes insertados en los respectivos orificios sobre la cuchilla. Asegúrese de que esté instalada con los extremos curvos orientados hacia arriba, donde está el piso de la podadora, y no hacia abajo, donde está el suelo. Si está asentada correctamente, la cuchilla permanecerá plana contra el conjunto del ventilador.

MANTENIMIENTO

- Vuelva a colocar el aislante de cuchilla y el separador; luego, enrosque la tuerca de la cuchilla en el eje y apriétela con los dedos.

NOTA: Asegúrese de volver a colocar todas las piezas en el orden exacto en que fueron retiradas.

- Apriete la tuerca de la cuchilla derecha usando una llave de arranque dinamoétrica (no suministrada) para asegurar que el perno esté apretado correctamente. La fuerza de torsión recomendada para la tuerca de la cuchilla es de 350–400 lb-pulg.



ADVERTENCIA:

Asegúrese de que la hoja esté correctamente asentada y que la tuerca de la hoja esté ajustada según las especificaciones de par de torsión anteriores. Si no conecta la hoja correctamente, puede aflojarse y generar posibles lesiones personales graves.

GUARDADO DE LA PODADORA

Vea la figura 16.

- Retire la llave de arranque de fusible, el paquete de baterías y desconecte el suministro de alimentación y

almacena en una ubicación segura fuera del alcance de niños.

- Antes de guardar, limpie el polvo o los residuos del área de la batería.
- Gire la podadora sobre su costado y limpie los recortes de hierba que se acumularon en la parte inferior del piso de la podadora.
- Limpie la podadora con un paño seco.
- Verifique el apriete de todos los pernos, tuercas, perillas, tornillos, sujetadores, etcétera.
- Inspeccione las piezas móviles para ver si hay daños, rupturas y desgaste. Haga que reparen todas las piezas dañadas o faltantes. Verifique que la cuchilla no esté dañada o desgastada excesivamente en forma irregular y reemplácela si existen estas condiciones.
- Abaisser la ensemble de poignée como se indicó anteriormente en este manual.
- Guarde la podadora en el interior, en un lugar limpio y seco, lejos del alcance de los niños.
- No la guarde cerca de materiales corrosivos como fertilizantes o sal gema.

CORRECCIÓN DE PROBLEMAS

SI CON ESTAS SOLUCIONES NO SE RESUELVE EL PROBLEMA, COMUNÍQUESE CON EL CONCESIONARIO DE SERVICIO AUTORIZADO DE SU PREFERENCIA.

PROBLEMA	CAUSA POSIBLE	SOLUCIÓN
El mango no está en posición.	Las trabas de los mangos no están cerradas.	Cierre las trabas del mango superior y del mango inferior.
La podadora no enciende.	Es necesario volver a configurar la llave de arranque. Es necesario volver a configurar los paquetes de baterías. La batería tiene poca carga o el suministro de energía no está conectado.	Quite y vuelva a instalar la llave de arranque. Quite y vuelva a instalar los paquetes de batería. Cargue la batería o conecte al suministro de corriente.
La podadora no corta la hierba uniformemente.	El pasto está áspero o desperejo, o la altura de corte no está ajustada correctamente.	Ajuster la altura de corte.
La podadora no tritura el pasto correctamente.	Hay recortes de hierba mojada pegados en la parte inferior del piso.	Espere hasta que la hierba se seque antes de podar.
Es difícil empujar la podadora.	La hierba está alta, la parte posterior del alojamiento de la podadora y la cuchilla se arrastran por hierba frondosa, o la altura de corte es demasiado baja.	Levante la altura de corte.
La podadora no recolecta correctamente.	La altura de corte es muy baja.	Levante la altura de corte.
La podadora vibra a mayor velocidad.	La cuchilla está desequilibrada, gastada excesivamente o en forma irregular. El eje del motor está doblado.	Reemplace la cuchilla. Apague el motor, desconecte la llave de arranque y paquete de baterías o desconecte el enchufe de la fuente de corriente. Inspeccione la unidad para ver si están dañadas. Lleve la unidad a un centro de servicio autorizado para que la reparen antes de volver a encenderla.
Motor se detiene mientras corta el césped.	La altura de corte es muy baja.	Levante la altura de corte.

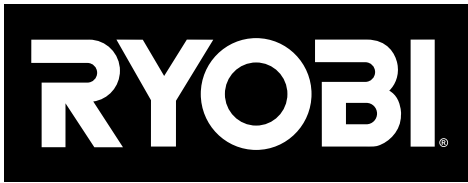


APROVECHE AL MÁXIMO SU COMPRA!

Este producto ha sido probado enteramente antes de embarcarse para asegurar la completa satisfacción del consumidor.

¡Si tiene preguntas sobre el funcionamiento o el mantenimiento del producto, llame al teléfono de atención al consumidor de RYOBI!

Este producto tiene una garantía limitada de tres años para fines personales, familiares o domésticos (90 días para usos trabajo o comercial). Para obtener detalles sobre la garantía, diríjase a www.ryobitools.com o llame sin cargo al 1-800-860-4050.



OPERATOR'S MANUAL

MANUEL D'UTILISATION / MANUAL DEL OPERADOR 18 VOLT HYBRID LAWN MOWER

18 V TONDEUSE HYBRIDE
18 V PODADORA HÍBRIDA

P1102

• **PARTS AND SERVICE:** Prior to requesting service or purchasing replacement parts, please obtain your item, manufacturing, and serial numbers from the product data plate.

ITEM NO. _____

MANUFACTURING NO. _____

SERIAL NO. _____

HOW TO OBTAIN REPLACEMENT PARTS: Replacement parts can be purchased online at www.ryobitools.com or by calling 1-800-860-4050. Replacement parts can also be obtained at one of our service centers.

HOW TO LOCATE A SERVICE CENTER: Service centers can be located online at www.ryobitools.com or by calling 1-800-860-4050.

HOW TO OBTAIN CUSTOMER OR TECHNICAL SUPPORT: To obtain customer or technical support please contact us at 1-800-860-4050.

RYOBI is a registered trademark of Ryobi Limited and is used pursuant to a license granted by Ryobi Limited.

• **PIÈCES ET SERVICE :** Avant de faire la demande de service ou l'achat de pièces de remplacement, veuillez obtenir le numéro d'article, le numéro de fabrication et le numéro de série à partir de la plaque de données du produit.

NUMÉRO D'ARTICLE _____

NUMÉRO DE FABRICATION _____

NUMÉRO DE SÉRIE _____

COMMENT OBTENIR LES PIÈCES DE REMPLACEMENT : Les pièces de remplacement peuvent être achetées en ligne sur le site www.ryobitools.com ou par téléphone au 1-800-860-4050. Les pièces de remplacement peuvent être obtenues à un de nos centres de service.

COMMENT TROUVER UN CENTRE DE SERVICE : Les centres de service peuvent être localisés en ligne au www.ryobitools.com ou en téléphonant au 1-800-860-4050.

COMMENT OBTENIR DE L'AIDE EN CONTACTANT LE SERVICE À LA CLIENTÈLE : Pour contacter le service à la clientèle pour une question technique ou pour tout autre renseignement, veuillez nous téléphoner au 1-800-860-4050.

RYOBI est une marque déposée de Ryobi Limited et est utilisée en vertu d'une licence accordée par Ryobi Limited.

• **PIEZAS DE REPUESTO Y SERVICIO:** Antes de solicitar servicio técnico o comprar piezas de repuesto, obtenga su número de artículo, el número de fabricación y el número de serie de la placa de datos del producto.

NÚMERO DE ARTÍCULO _____

NÚMERO DE FABRICACIÓN _____

NÚMERO DE SERIE _____

CÓMO OBTENER PIEZAS DE REPUESTO: Las piezas de repuesto se pueden comprar en nuestro sitio en la red mundial, en la dirección www.ryobitools.com o llamando al 1-800-860-4050. Las piezas de repuesto también se pueden obtener en uno de nuestros centros de servicio.

CÓMO LOCALIZAR UN CENTRO DE SERVICIO: Puede encontrar los centros de servicio visitando nuestro sitio en la red mundial, en la dirección www.ryobitools.com or by calling 1-800-860-4050.

CÓMO OBTENER SERVICIO O ASISTENCIA TÉCNICA AL CONSUMIDOR: Para obtener servicio o asistencia técnica al consumidor, sírvase comunicarse con nosotros llamando al 1-800-860-4050.

RYOBI es una marca registrada de Ryobi Limited y se utiliza conforme a una licencia otorgada por Ryobi Limited.

TECHTRONIC INDUSTRIES POWER EQUIPMENT

991000690
1-24-19 (REV:03)

1428 Pearman Dairy Road, Anderson, SC 29625 USA
1-800-860-4050 • www.ryobitools.com