



# OPERATOR'S MANUAL

## 80 VOLT LITHIUM-ION BATTERY PACK

### OP801720

To register your RYOBI product, please visit: <http://register.ryobitools.com>  
Use this battery pack for RYOBI 80 V cordless products only. Refer to the Operator's Manual provided with product. Always mention the model number above when communicating with us regarding this battery pack.

## SAFETY RULES

**WARNING!**  
**READ AND UNDERSTAND ALL INSTRUCTIONS.** Failure to follow all instructions listed below, may result in electric shock, fire and/or serious personal injury.

- **Battery tools do not have to be plugged into an electrical outlet; therefore, they are always in operating condition. Be aware of possible hazards when not using your battery tool or when changing accessories.** Following this rule will reduce the risk of electric shock, fire, or serious personal injury.
- **Do not place battery tools or their batteries near fire or heat.** This will reduce the risk of explosion and possibly injury.
- **Do not crush, drop or damage battery pack. Do not use a battery pack or charger that has been dropped or received a sharp blow.** A damaged battery is subject to explosion. Properly dispose of a dropped or damaged battery immediately.
- **Batteries can explode in the presence of a source of ignition, such as a pilot light.** To reduce the risk of serious personal injury, never use any cordless product in the presence of open flame. An exploded battery can propel debris and chemicals. If exposed, flush with water immediately.
- **Charge only with RYOBI™ 80V battery chargers. Use of other chargers may result in personal injury, fire, or damage.**
- **Do not charge in an area of extreme heat or cold. It will work best at normal room temperature.** To reduce the risk of serious personal injury, do not store outside or in vehicles.
- **Under extreme usage or temperature conditions, battery leakage may occur. If liquid comes in contact with your skin, wash immediately with soap and water. If liquid gets into your eyes, flush them with clean water for at least 10 minutes, then seek immediate medical attention.** Following this rule will reduce the risk of serious personal injury.
- **When battery pack is not in use, keep it away from other metal objects like: paper clips, coins, keys, nails, screws, or other small metal objects that can make a connection from one terminal to another.** Shorting the battery terminals together may cause sparks, burns, or a fire.
- **Always remove battery pack from your tool when you are assembling parts, making adjustments, cleaning, or when not in use.** Removing battery pack will prevent accidental starting that could cause serious personal injury.
- **Always remove battery pack before storing the device.**
- **When battery becomes fully charged, unplug the charger from the power supply and remove the charger from the battery pack.**
- **Always wear eye protection with side shields marked to comply with ANSI Z87.1.** Failure to do so could result in objects being thrown into your eyes and other possible serious injuries.
- **Keep battery pack dry, clean, and free from oil and grease.** Always use a clean cloth when cleaning. Never use brake fluids, gasoline, petroleum-based products, or any solvents to clean battery pack.
- **Do not use a battery pack that is damaged or modified.** Damaged or modified batteries may exhibit unpredictable behavior resulting in fire, explosion or risk of injury.

- **Do not modify or attempt to repair a battery pack that has been damaged.**
- **Do not expose a battery pack or appliance to fire or excessive temperature.** Exposure to fire or temperature above 265°F (130°C) may cause explosion.
- **Have servicing performed by a qualified repair person using only identical replacement parts.** This will ensure that the safety of the product is maintained.
- **Follow all charging instructions and do not charge the battery pack or appliance outside of the temperature range specified in the instructions.** Charging improperly or at temperatures outside of the specified range may damage the battery and increase the risk of fire.
- **Save these instructions.** Refer to them frequently and use them to instruct others who may use this tool. If you loan someone this tool, loan them these instructions also.

## SAVE THESE INSTRUCTIONS

### OPERATION

#### LITHIUM-ION BATTERY PACKS

Lithium-ion batteries deliver fade free power for their entire run time. Lithium-ion tools will not gradually lose power due to decreasing battery charge. Instead, power from the battery pack will drop from full to zero once the full charge has been drained from the battery. Once this happens, recharging of the battery is required. It is not necessary to drain the battery pack completely before recharging.

#### BATTERY PROTECTION FEATURES

Lithium-ion battery packs are designed with features that protect the lithium-ion cells and maximize battery life.

If the tool stops during use, release the trigger to reset and resume operation. If the tool still does not work, the battery needs to be recharged.

#### COLD WEATHER OPERATION

The lithium-ion battery pack can be used in temperatures down to -4°F. Put the battery pack on a tool and use the tool in a light duty application. After about a minute, the pack will warm up and begin operating normally.

#### DIGITAL DISPLAY

See Figures 1 and 3.

Press and release on/off button to show the current condition of the battery pack:

- **State of charge** - displays how much charge remains in a battery pack that isn't being charged; blinks when less than 5% of charge remains.
- **Charging**- blinking bolt icon indicates that the battery is being charged.
- **Temperature Delay**- Blinking thermometer icon indicates that the battery cell temperature is too hot or too cold to accept a charge or discharge.
- **Error** - shows an error code for the battery pack; contact customer service for support.

#### CHARGING THE BATTERY PACK

See Figure 2.

Battery packs are shipped in a low charge condition to prevent possible problems. Therefore, you should charge prior to first use. If the charger does not charge the battery pack under normal circumstances, return both the battery pack and charger to your nearest Authorized Service Center for electrical check.

- Charge the battery pack only with the recommended charger.
- Refer to charger operator's manual for charging instructions.

#### CHARGING A HOT BATTERY PACK

When using a tool continuously, the battery pack may become hot. A charger may be connected to a hot battery pack but charging will not begin until the battery temperature cools to within acceptable temperature range. When a charger is connected to a hot battery pack, the charger may indicate the pack is not ready to charge. Please refer to charger operator's manual. When the battery pack cools, the charger will automatically begin charging.

#### CHARGING A COLD BATTERY PACK

A charger may be connected to a cold battery pack but charging will not begin until the battery temperature warms to within acceptable temperature range. When a charger is connected to a cold battery pack, the charger may indicate the pack is not ready to charge. Please refer to charger operator's manual. When the battery pack warms, the charger will automatically begin charging.

## MAINTENANCE

#### BATTERIES

These batteries have been designed to provide maximum trouble-free life. However, like all batteries, they will eventually wear out. Do not disassemble battery pack and attempt to replace the batteries. Handling of these batteries, especially when wearing rings and jewelry, could result in a serious burn.

To obtain the longest possible battery life, we suggest the following:

- Remove the battery pack from the charger once it is fully charged and ready for use.
- For battery pack storage longer than 30 days:
  - Store the battery pack where the temperature is below 80°F and away from moisture.
  - Store battery packs in a 30%-50% charged condition.
  - Every six months of storage, charge the pack as normal.

#### BATTERY PACK REMOVAL AND PREPARATION FOR RECYCLING



To preserve natural resources, please recycle or dispose of batteries properly.

This product contains lithium-ion batteries. Local, state or federal laws may prohibit disposal of lithium-ion batteries in ordinary trash.

Consult your local waste authority for information regarding available recycling and/or disposal options.

#### WARNING:

Upon removal, cover the battery pack's terminals with heavy-duty adhesive tape. Do not attempt to destroy or disassemble battery pack or remove any of its components. Batteries must be recycled or disposed of properly. Also, never touch both terminals with metal objects and/or body parts as short circuit may result. Keep away from children. Failure to comply with these warnings could result in fire and/or serious injury.

#### WARNING:

**NEVER IMMERSE OR EXPOSE YOUR BATTERY PACK, TOOL, OR CHARGER TO CORROSIVE OR CONDUCTIVE FLUIDS OR ALLOW THESE FLUIDS TO FLOW INSIDE THESE ITEMS.**

Corrosive or conductive fluids, such as seawater, chlorine, certain industrial chemicals, and bleach or bleach containing products, etc., can cause a short circuit in the battery pack.

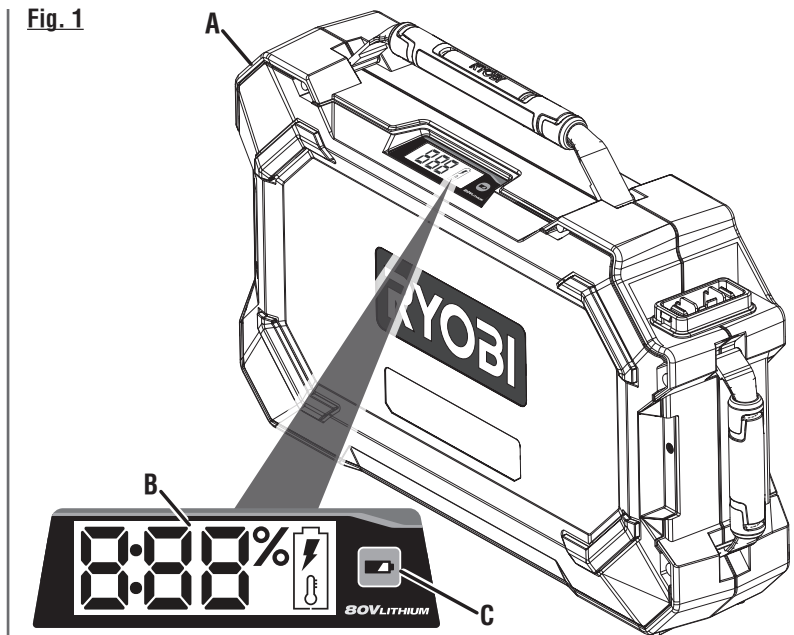
If your battery pack is exposed to a corrosive or conductive fluid, do not attempt to use or charge the battery pack and immediately perform the following steps:

- Wear appropriate personal protective equipment, including eye protection and rubber gloves.
- Place your exposed battery pack in a large bucket, such as a 5 gallon or similar bucket, and fill the bucket with regular tap water. Do not place more than one pack in the bucket.
- Locate the bucket outdoors in an area inaccessible to children and pets and away from all buildings, garages/sheds, structures, vehicles, and combustible/flammable materials.
- Leave the battery pack(s) in the bucket filled with tap water and call Customer Service at 1-800-525-2579 for additional instructions on the proper disposal of the exposed battery pack(s).

Battery packs exposed to corrosive or conductive fluids and failure to follow the steps above in the event of exposure to these fluids can result in smoke/fire, serious personal injury, and/or property damage.

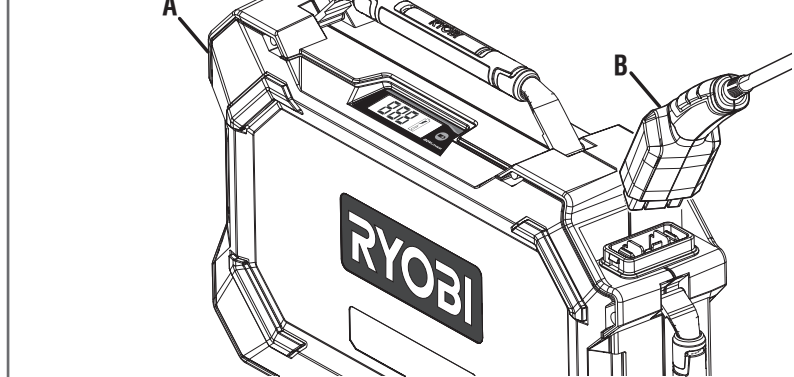
**This product has a three-year limited warranty. This warranty is extended to five years if the product has been properly registered at [www.ryobitools.com](http://www.ryobitools.com). For warranty details go to [www.ryobitools.com](http://www.ryobitools.com).**

Fig. 1



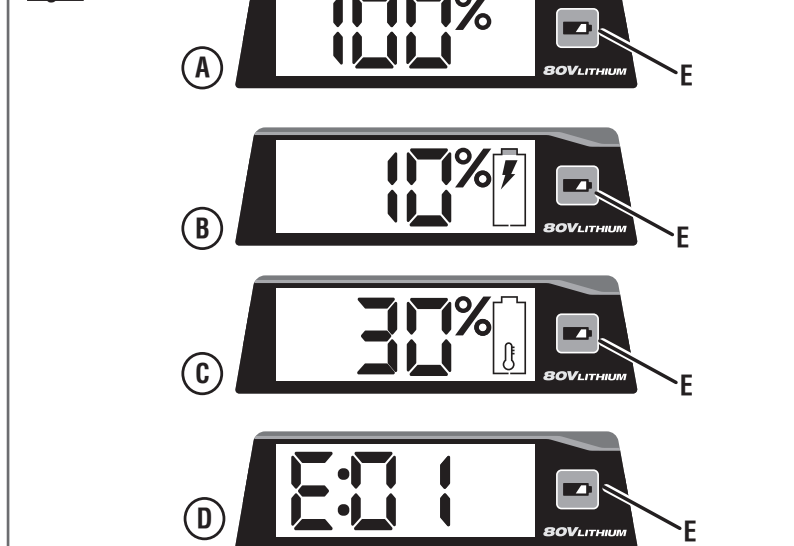
A - Battery pack (bloc-piles, paquete de baterías)  
B - Digital display (afficheur numérique, pantalla digital)  
C - Digital display on/off button (bouton marche/arrêt du afficheur numérique, botón de encendido/apagado del pantalla digital)

Fig. 2



A - Battery pack (bloc-piles, paquete de baterías)  
B - Battery charger (not included) [chargeur de piles (non compris), cargador de baterías (no incluida)]

Fig. 3



A - State of charge (état de charge, estado de carga)  
B - Charging (charge, cargando)  
C - Temperature delay (délai d'attente causé par la température, retardo por temperatura)  
D - Error (erreur, error)  
E - Digital display on/off button (bouton marche/arrêt du afficheur numérique, botón de encendido/apagado del pantalla digital)

