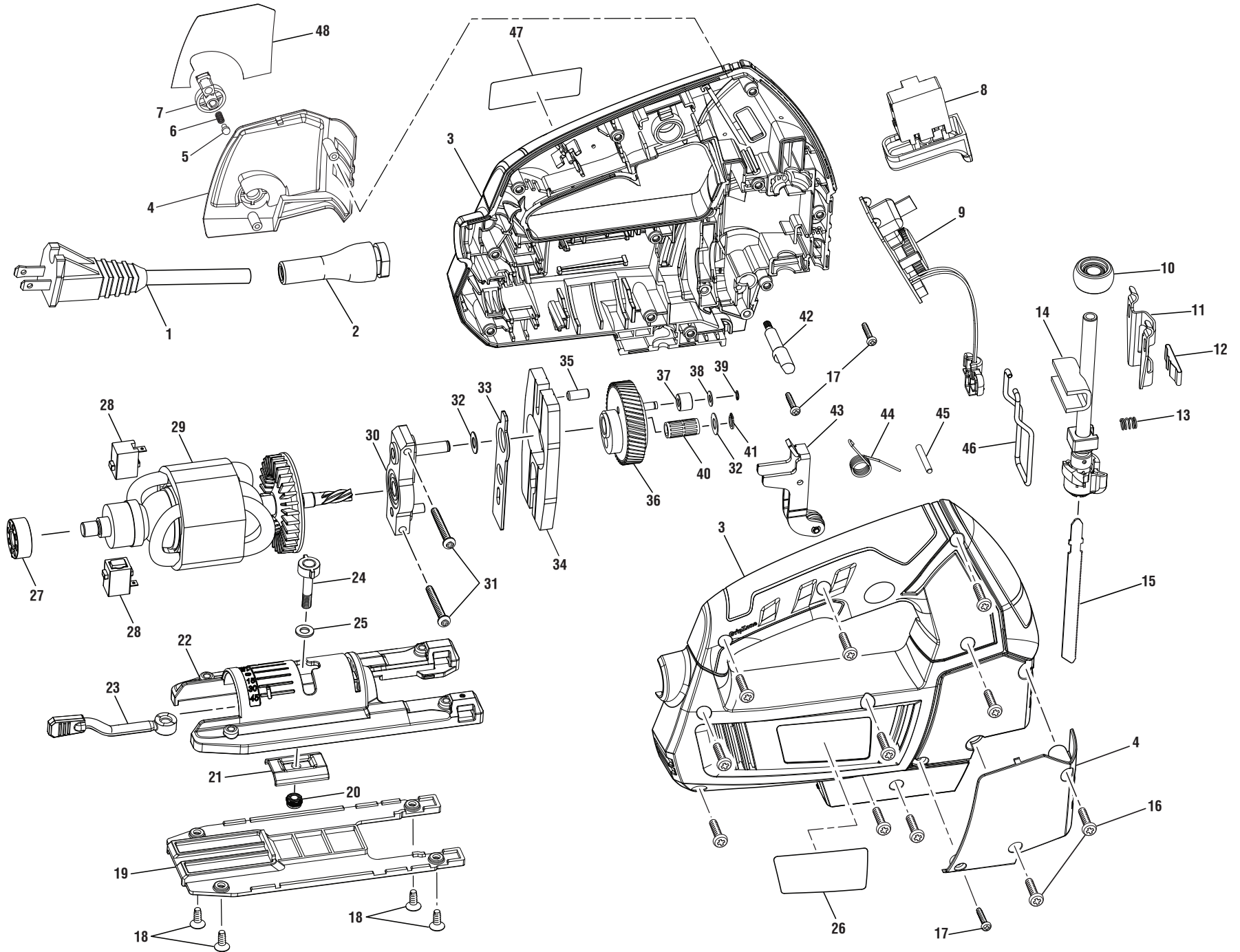


**RYOBI
ORBITAL JIG SAW
MODEL NUMBER JS481L
REPAIR SHEET**

RYOBI ORBITAL JIG SAW – MODEL NUMBER JS481L



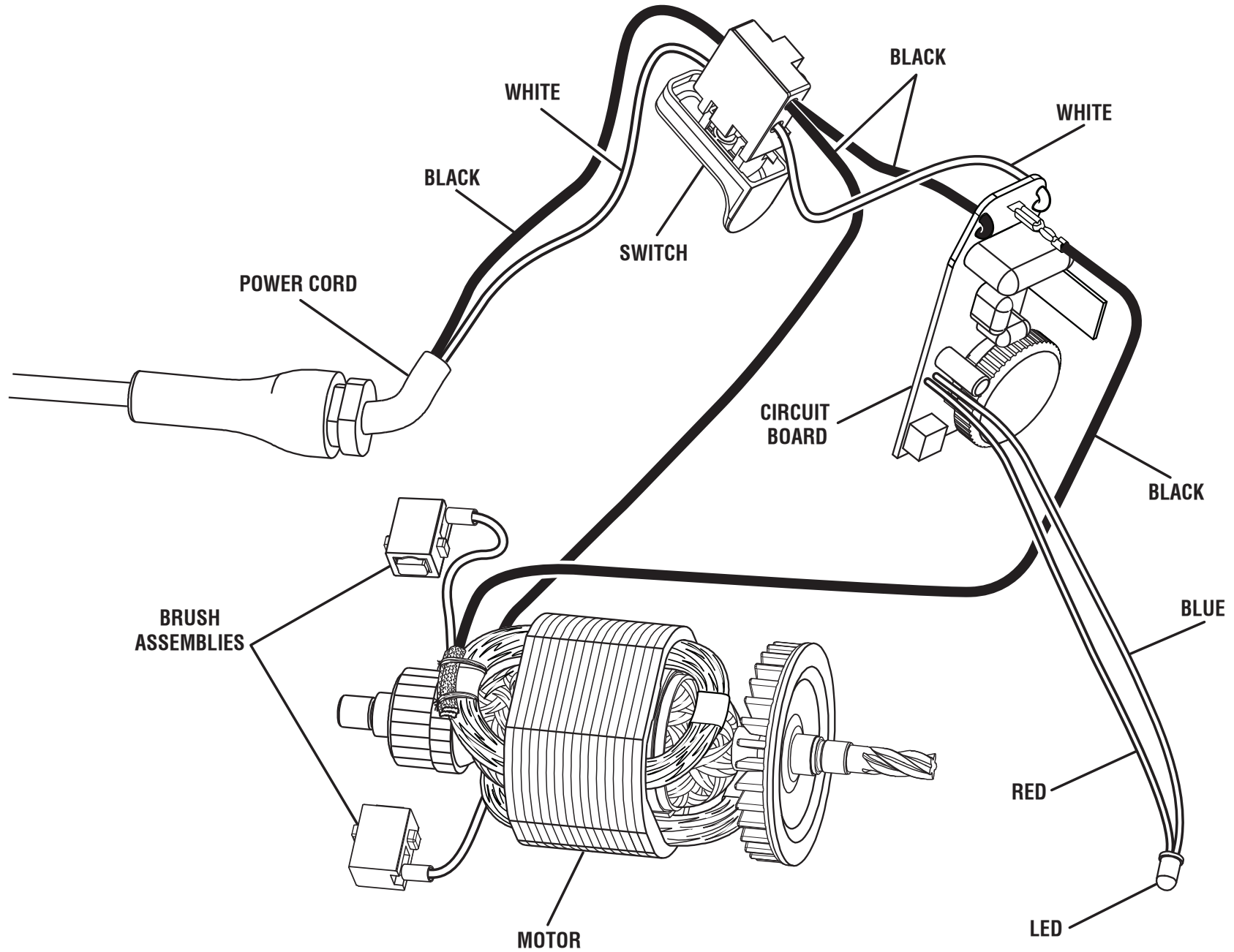
RYOBI ORBITAL JIG SAW – MODEL NUMBER JS481L

The model number will be found on a label attached to the motor housing. Always mention the model number in all correspondence regarding your **ORBITAL JIG SAW** or when ordering parts.

PARTS LIST

KEY NO.	PART NUMBER	DESCRIPTION	QTY	KEY NO.	PART NUMBER	DESCRIPTION	QTY
1	730372033	Power Cord.....	1	28	291118002	Brush Assembly.....	2
2	551060001	Bend Relief	1	29	291085001	Motor Assembly.....	1
3	202137001	Housing Assembly.....	1	30	202224001	Bearing Plate Assembly.....	1
4	202141001	Cover Assembly.....	1	31	660436009	Screw (M4 x 30 mm).....	2
5	550424001	Detent Button	1	32	680335076	Washer (OD12 x ID6 x 0.5t)	2
6	680909001	Spring	1	33	631081003	Drive Plate.....	1
7	524208001	Orbital Adjustment Knob	1	34	611712001	Counterbalance	1
8	760476002	Switch Assembly	1	35	681071001	Pin (5 x 12 mm).....	1
9	280202002	Circuit Board Assembly	1	36	611629001	Gear Assembly	1
10	611841001	Bushing.....	1	37	693176001	Drive Sleeve.....	1
11	630845001	Guide Plate	1	38	634134001	Washer (OD12 x ID5 x 1t)	1
12	631252001	Spring Plate	1	39	692821001	Retaining Ring	1
13	693232001	Spring	1	40	681597001	Needle Bearing	1
14	304944002	Saw Bar Assembly.....	1	41	670704001	Retaining Ring	1
15	690227083	Wood Cutting Blade.....	1	42	621355001	Orbital Adjustment Rod	1
16	6620802	Screw (M4 x 18 mm, Pan Hd.).....	11	43	305086001	Blade Guide Assembly	1
17	660007002	Screw (M3 x 12 mm).....	3	44	693114002	Torsion Spring.....	1
18	660165017	Screw (M4 x 8 mm).....	4	45	671143001	Pin.....	1
19	524163001	Base Plate.....	1	46	671147006	Guard Wire.....	1
20	670974003	Insert Nut (M5)	1	47	941002005	Logo Label.....	1
21	634115001	Clamp Pad	1	48	941001010	Orbital Label	1
22	640783004	Saw Base.....	1	Not Shown:			
23	301010011	Base Adjustment Lever Assembly.....	1	039076003101	Optional Edge Guide Kit		
24	301008001	Positive Stop Screw.....	1	301009001	Optional Dust Port Assembly		
25	678050001	Washer (OD11.2 x ID5.2 x 0.8t)	1	988000859	Operator's Manual		
26	941121005	Data Label.....	1	3-6-14			
27	671419002	Ball Bearing (KEJIE 608ZZ).....	1	(Rev:07)			

RYOBI ORBITAL JIG SAW – MODEL NUMBER JS481L



WIRING DIAGRAM