



OPERATOR'S MANUAL

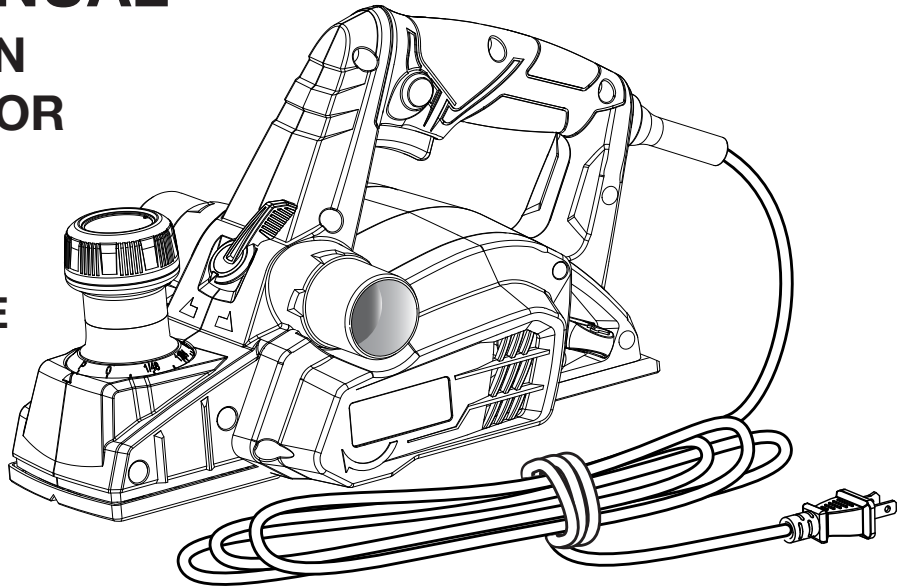
MANUEL D'UTILISATION MANUAL DEL OPERADOR

POWER PLANER DOUBLE INSULATED

RABOTEUSE ÉLECTRIQUE DOUBLE ISOLATION

CEPILLO ELÉCTRICO DOBLE AISLAMIENTO

HPL52



INCLUDES: Planer, Dust Bag, Edge Guide, Blade Wrench, Tool Bag, Operator's Manual

INCLUT : Raboteuse électrique, sac à poussière , guide de chant, clé à lame, sacoche ,manual del utilisation

INCLUYE: Cepillo eléctrico, saco captapolvo, guía para de cantos, llave de las cuchillas, bolsa de herramientas, manual del operador

TABLE OF CONTENTS

- General Power Tool Safety Warnings2-3
- Planer Safety Warnings3
- Symbols.....4
- Electrical.....5
- Features.....6
- Assembly6
- Operation.....7-9
- Maintenance.....9-10
- Accessories 10
- Illustrations11-13
- Parts Ordering / Service Back Page

TABLE DES MATIÈRES

- Avertissements de sécurité générales relatives aux outils électriques.....2-3
- Avertissements de sécurité relatifs au raboteuse électrique.....3
- Symboles.....4
- Caractéristiques électriques.....5
- Caractéristiques6
- Assemblage.....6
- Utilisation.....7-9
- Entretien9-10
- Accessoires 10
- Illustrations11-13
- Commande de pièces / réparation.....Page arrière

ÍNDICE DE CONTENIDO

- Advertencias de seguridad generales para la herramienta eléctrica 2-3
- Advertencias de seguridad específicas cepillo3
- Símbolos4
- Aspectos eléctricos.....5
- Características6
- Armado.....6
- Funcionamiento.....7-9
- Mantenimiento.....9-10
- Accesorios..... 10
- Ilustraciones11-13
- Pedidos de piezas / servicio..... Pág. posterior

⚠ WARNING: To reduce the risk of injury, the user must read and understand the operator's manual before using this product.

⚠ AVERTISSEMENT : Pour réduire les risques de blessures, l'utilisateur doit lire et veiller à bien comprendre le manuel d'utilisation avant d'employer ce produit.

⚠ ADVERTENCIA: Para reducir el riesgo de lesiones, el usuario debe leer y comprender el manual del operador antes de usar este producto.

SAVE THIS MANUAL FOR FUTURE REFERENCE

CONSERVER CE MANUEL POUR FUTURE RÉFÉRENCE

GUARDE ESTE MANUAL PARA FUTURAS CONSULTAS

GENERAL POWER TOOL SAFETY WARNINGS

WARNING

Read all safety warnings and all instructions. Failure to follow the warnings and instructions may result in electric shock, fire and/or serious injury.

Save all warnings and instructions for future reference. The term “power tool” in the warnings refers to your mains-operated (corded) power tool or battery-operated (cordless) power tool.

WORK AREA SAFETY

- **Keep work area clean and well lit.** Cluttered or dark areas invite accidents.
- **Do not operate power tools in explosive atmospheres, such as in the presence of flammable liquids, gases or dust.** Power tools create sparks which may ignite the dust or fumes.
- **Keep children and bystanders away while operating a power tool.** Distractions can cause you to lose control.

ELECTRICAL SAFETY

- **Power tool plugs must match the outlet. Never modify the plug in any way. Do not use any adapter plugs with earthed (grounded) power tools.** Unmodified plugs and matching outlets will reduce risk of electric shock.
- **Avoid body contact with earthed or grounded surfaces such as pipes, radiators, ranges and refrigerators.** There is an increased risk of electric shock if your body is earthed or grounded.
- **Do not expose power tools to rain or wet conditions.** Water entering a power tool will increase the risk of electric shock.
- **Do not abuse the cord. Never use the cord for carrying, pulling or unplugging the power tool. Keep cord away from heat, oil, sharp edges or moving parts.** Damaged or entangled cords increase the risk of electric shock.
- **When operating a power tool outdoors, use an extension cord suitable for outdoor use.** Use of a cord suitable for outdoor use reduces the risk of electric shock.
- **If operating a power tool in a damp location is unavoidable, use a ground fault circuit interrupter (GFCI) protected supply.** Use of a GFCI reduces the risk of electric shock.

PERSONAL SAFETY

- **Stay alert, watch what you are doing and use common sense when operating a power tool. Do not use a power tool while you are tired or under the influence of drugs, alcohol or medication.** A moment of inattention while operating power tools may result in serious personal injury.

- **Use personal protective equipment. Always wear eye protection.** Protective equipment such as dust mask, non-skid safety shoes, hard hat, or hearing protection used for appropriate conditions will reduce personal injuries.
- **Prevent unintentional starting. Ensure the switch is in the off-position before connecting to power source and/or battery pack, picking up or carrying the tool.** Carrying power tools with your finger on the switch or energising power tools that have the switch on invites accidents.
- **Remove any adjusting key or wrench before turning the power tool on.** A wrench or a key left attached to a rotating part of the power tool may result in personal injury.
- **Do not overreach. Keep proper footing and balance at all times.** This enables better control of the power tool in unexpected situations.
- **Dress properly. Do not wear loose clothing or jewellery. Keep your hair, clothing and gloves away from moving parts.** Loose clothes, jewellery or long hair can be caught in moving parts.
- **If devices are provided for the connection of dust extraction and collection facilities, ensure these are connected and properly used.** Use of dust collection can reduce dust-related hazards.
- **Do not wear loose clothing or jewelry. Contain long hair.** Loose clothes, jewelry, or long hair can be drawn into air vents.
- **Do not use on a ladder or unstable support.** Stable footing on a solid surface enables better control of the power tool in unexpected situations.

POWER TOOL USE AND CARE

- **Do not force the power tool. Use the correct power tool for your application.** The correct power tool will do the job better and safer at the rate for which it was designed.
- **Do not use the power tool if the switch does not turn it on and off.** Any power tool that cannot be controlled with the switch is dangerous and must be repaired.
- **Disconnect the plug from the power source and/or the battery pack from the power tool before making any adjustments, changing accessories, or storing power tools.** Such preventive safety measures reduce the risk of starting the power tool accidentally.
- **Store idle power tools out of the reach of children and do not allow persons unfamiliar with the power tool or these instructions to operate the power tool.** Power tools are dangerous in the hands of untrained users.
- **Maintain power tools. Check for misalignment or binding of moving parts, breakage of parts and any other condition that may affect the power tool's operation. If damaged, have the power tool repaired before use.** Many accidents are caused by poorly maintained power tools.

GENERAL POWER TOOL SAFETY WARNINGS

- **Keep cutting tools sharp and clean.** Properly maintained cutting tools with sharp cutting edges are less likely to bind and are easier to control.
- **Use the power tool, accessories and tool bits etc. in accordance with these instructions, taking into account the working conditions and the work to be performed.** Use of the power tool for operations different from those intended could result in a hazardous situation.

SERVICE

- **Have your power tool serviced by a qualified repair person using only identical replacement parts.** This will ensure that the safety of the power tool is maintained.
- **When servicing a power tool, use only identical replacement parts. Follow instructions in the Maintenance section of this manual.** Use of unauthorized parts or failure to follow Maintenance instructions may create a risk of shock or injury.

PLANER SAFETY WARNINGS




- **Wait for the cutter to stop before setting the tool down.** An exposed rotating cutter may engage the surface leading to possible loss of control and serious injury.
- **Hold the power tool by insulated gripping surfaces only, because the cutter may contact its own cord.** Cutting a “live” wire may make exposed metal parts of the power tool “live” and could give the operator an electric shock.
- **Use clamps or another practical way to secure and support the workpiece to a stable platform.** Holding the work by your hand or against the body leaves it unstable and may lead to loss of control.
- **Know your power tool. Read operator’s manual carefully. Learn its applications and limitations, as well as the specific potential hazards related to this tool.** Following this rule will reduce the risk of electric shock, fire, or serious injury.
- **Always wear eye protection with side shields marked to comply with ANSI Z87.1.** Following this rule will reduce the risk of serious personal injury.
- **Protect your lungs. Wear a face or dust mask if the operation is dusty.** Following this rule will reduce the risk of serious personal injury.
- **Protect your hearing. Wear hearing protection during extended periods of operation.** Following this rule will reduce the risk of serious personal injury.
- **Inspect tool cords periodically and, if damaged, have repaired at your nearest Authorized Service Center.**

Constantly stay aware of cord location. Following this rule will reduce the risk of electric shock or fire.






- **Check damaged parts. Before further use of the tool, a guard or other part that is damaged should be carefully checked to determine that it will operate properly and perform its intended function. Check for alignment of moving parts, binding of moving parts, breakage of parts, mounting, and any other conditions that may affect its operation. A guard or other part that is damaged should be properly repaired or replaced by an authorized service center.** Following this rule will reduce the risk of shock, fire, or serious injury.
- **Make sure your extension cord is in good condition. When using an extension cord, be sure to use one heavy enough to carry the current your product will draw. A wire gauge size (A.W.G.) of at least 14 is recommended for an extension cord 50 feet or less in length. A cord exceeding 100 feet is not recommended. If in doubt, use the next heavier gauge. The smaller the gauge number, the heavier the cord. An undersized cord will cause a drop in line voltage resulting in loss of power and overheating.**
- **Inspect for and remove all nails and/or staples from lumber before using this tool.** Following this rule will reduce the risk of serious personal injury.
- **Save these instructions.** Refer to them frequently and use them to instruct others who may use this tool. If you loan someone this tool, loan them these instructions also.

SYMBOLS

The following signal words and meanings are intended to explain the levels of risk associated with this product.

SYMBOL	SIGNAL	MEANING
	DANGER:	Indicates a hazardous situation, which, if not avoided, will result in death or serious injury.
	WARNING:	Indicates a hazardous situation, which, if not avoided, could result in death or serious injury.
	CAUTION:	Indicates a hazardous situation, that, if not avoided, may result in minor or moderate injury.
	NOTICE:	(Without Safety Alert Symbol) Indicates information considered important, but not related to a potential injury (e.g. messages relating to property damage).

Some of the following symbols may be used on this product. Please study them and learn their meaning. Proper interpretation of these symbols will allow you to operate the product better and safer.

SYMBOL	NAME	DESIGNATION/EXPLANATION
	Safety Alert	Indicates a potential personal injury hazard.
	Read Operator's Manual	To reduce the risk of injury, user must read and understand operator's manual before using this product.
	Eye Protection	Always wear eye protection with side shields marked to comply with ANSI Z87.1.
	Wet Conditions Alert	Do not expose to rain or use in damp locations.
V	Volts	Voltage
A	Amperes	Current
Hz	Hertz	Frequency (cycles per second)
min	Minutes	Time
~	Alternating Current	Type of current
n_0	No Load Speed	Rotational speed, at no load
	Class II Construction	Double-insulated construction
.../min	Per Minute	Revolutions, strokes, surface speed, orbits etc., per minute

ELECTRICAL

DOUBLE INSULATION

Double insulation is a concept in safety in electric power tools, which eliminates the need for the usual three-wire grounded power cord. All exposed metal parts are isolated from the internal metal motor components with protecting insulation. Double insulated tools do not need to be grounded.

WARNING:

The double insulated system is intended to protect the user from shock resulting from a break in the tool's internal insulation. Observe all normal safety precautions to avoid electrical shock.

NOTE: Servicing of a tool with double insulation requires extreme care and knowledge of the system and should be performed only by a qualified service technician. For service, we suggest you return the tool to your nearest authorized service center for repair. Always use original factory replacement parts when servicing.

ELECTRICAL CONNECTION

This tool has a precision-built electric motor. It should be connected to a **power supply that is 120 volts, AC only (normal household current), 60 Hz.** Do not operate this tool on direct current (DC). A substantial voltage drop will cause a loss of power and the motor will overheat. If the tool does not operate when plugged into an outlet, double-check the power supply.

EXTENSION CORDS

When using a power tool at a considerable distance from a power source, be sure to use an extension cord that has the capacity to handle the current the tool will draw. An undersized cord will cause a drop in line voltage, resulting in overheating and loss of power. Use the chart to determine the minimum wire size required in an extension cord. Only round jacketed cords listed by Underwriter's Laboratories (UL) should be used.

When working outdoors with a tool, use an extension cord that is designed for outside use. This type of cord is designated with "WA" or "W" on the cord's jacket.

Before using any extension cord, inspect it for loose or exposed wires and cut or worn insulation.

**Ampere rating (on tool data plate)

	0-2.0	2.1-3.4	3.5-5.0	5.1-7.0	7.1-12.0	12.1-16.0
Cord Length	Wire Size (A.W.G.)					
25'	16	16	16	16	14	14
50'	16	16	16	14	14	12
100'	16	16	14	12	10	—

**Used on 12 gauge - 20 amp circuit.

NOTE: AWG = American Wire Gauge

WARNING:

Keep the extension cord clear of the working area. Position the cord so that it will not get caught on lumber, tools or other obstructions while you are working with a power tool. Failure to do so can result in serious personal injury.

WARNING:

Check extension cords before each use. If damaged replace immediately. Never use tool with a damaged cord since touching the damaged area could cause electrical shock resulting in serious injury.

FEATURES

PRODUCT SPECIFICATIONS

Maximum Planing Depth	1/8 in.	No Load Speed	16,500/min.
Maximum Planing Width	3-1/4 in.	Input	120 V, AC only, 6 Amps, 60 Hz,
Maximum Rabbet Depth	1/2 in.		

ASSEMBLY

 **WARNING:**

Do not use this product if it is not completely assembled or if any parts appear to be missing or damaged. Use of a product that is not properly and completely assembled or with damaged or missing parts could result in serious personal injury.

 **WARNING:**

Do not attempt to modify this product or create accessories or attachments not recommended for use with this product. Any such alteration or modification is misuse and could result in a hazardous condition leading to possible serious personal injury.

If any parts are damaged or missing, please call 1-800-525-2579 for assistance.

OPERATION

WARNING:

Do not allow familiarity with tools to make you careless. Remember that a careless fraction of a second is sufficient to inflict serious injury.

WARNING:

Always wear eye protection with side shields marked to comply with ANSI Z87.1. Failure to do so could result in objects being thrown into your eyes resulting in possible serious injury.

WARNING:

Do not use any attachments or accessories not recommended by the manufacturer of this product. The use of attachments or accessories not recommended can result in serious personal injury.

APPLICATIONS

You may use this tool for the purposes listed below:

- Planing the edge of a wooden door or shelf
- Planing the edge of a piece of lumber
- Making rabbet cuts in wood

ATTACHING THE DUST BAG

See Figure 1, page 11.

- Unplug the planer.
- Slide the collar of the dust bag onto the exhaust port.

NOTE: To remove the dust bag, pull it straight out of the exhaust port.

NOTICE:

The dust bag fills quickly. Empty it often to prevent damage to the product.

ADJUSTING THE EXHAUST DIRECTION

See Figure 2, page 11.

WARNING:

Collected dust from planing surface coatings such as polyurethanes, linseed oil, etc., can self-ignite in the planer dust bag or elsewhere and cause fire. To reduce the risk of fire, always empty the dust bag frequently while planing. NEVER store or leave a planer without totally emptying its dust bag. Also follow the recommendations of the coatings manufacturers.

Change the direction of the exhaust to either the right or left to control the direction of debris when working in confined areas.

To adjust the exhaust direction and dust bag:

- Unplug the planer.
- **To adjust exhaust to the right:** Move the exhaust direction knob so the arrow points right (the handle will point left). Install the dust bag on the right exhaust port.
- **To adjust exhaust to the left:** Move the exhaust direction knob so the arrow points left (the handle will point right). Install the dust bag on the left exhaust port.

PLANING DEPTH

See Figure 3, page 11.

When you begin planing a rough piece of material, the planer will only remove the high spots at first. Successive passes will remove more and more material. By removing no more than 1/64 in. with each pass, you will achieve the smoothest finish, even from the roughest workpiece.

Always begin by making test cuts in scrap wood to make sure that the planer is removing the desired amount of wood.

To set the planing depth:

- Unplug the planer.
- Turn the depth adjustment knob clockwise to reach the maximum depth of cut up to 1/8 inch.

NOTE: To protect the blades during storage, transporting, etc., turn the depth adjustment knob counterclockwise to **P** to park the blade.

STARTING/STOPPING THE PLANER

See Figure 4, page 12.

- **To start the planer:** Push the lock-off button, and then depress the switch trigger.
- **To stop the planer:** Release the switch trigger.

OPERATING THE PLANER

- Clamp the work securely.
- Support the work so that the operation is to your side.

WARNING:

Work moving during a cut could result in loss of control of the planer and cause serious injury.

- Hold the planer with both hands. Hold the depth adjustment knob with one hand and the handle with your other hand.
- Plane slowly and empty the dust bag often.

NOTICE:

Planing too fast results in a poor finish and increases chip build-up in the chip exhaust. Chip build-up restricts air flow and can cause motor overheating.

OPERATION

WARNING:

Do not attempt to clear a blocked chip exhaust until the blades stop and you have disconnected the product from the power source. Failure to heed this warning can result in serious personal injury.

WARNING:

Keep the cord away from the work area and the blades. Do not allow the cord to hang on the work while planing. Using the planer with a damaged or hanging cord could result in an electric shock or serious personal injury.

KICKSTAND

See Figure 5, page 12.

The planer has been equipped with an automatic pivoting kickstand that will prevent the blades from contacting the workbench when not in use. As you begin the planing operation, the kickstand will automatically retract as it passes over the edge of the workpiece. When setting the planer down on the workbench, the kickstand will automatically pivot down to prevent the blade from making any contact.

WARNING:

Make sure the kickstand operates freely at all times and that the area surrounding the kickstand is clear of debris. Failure to do so could result in serious personal injury.

PLANING

See Figure 6, page 12.

- Clamp the work securely.
- Adjust the planing depth. Refer to **Planing Depth** earlier in this manual.
- Hold the depth adjustment knob with one hand and the handle with your other hand.

WARNING:

Always use two hands on the tool for any operation; this assures that you maintain control and avoid risk of serious personal injury. Always properly support and clamp the work so that both hands are free to control the planer. Never operate the tool overhead or inverted from the proper operating position; serious personal injury may result.

- Place the front shoe on the edge of work to be planed.
NOTE: Make sure the blades are not touching the work.
- Apply pressure to the depth adjustment knob so that the front shoe is completely flat on the work.
- Start the planer and let the motor reach maximum speed.

- Hold the planer firmly and push it forward into the work, using a slow, steady motion.
- Apply downward pressure toward the rear handle as you reach the end of the planed cut. This helps keep the rear section of the planer base in contact with the work and prevents the front of the planer from gouging the cut.

WARNING:

Be careful to avoid hitting nails or staples during planing operation; this action could nick, crack, or damage blades.

NOTE: We suggest that you always keep an extra set of blades on hand. As soon as the blades in the planer show signs of becoming dull, replace them. The blades are reversible and can be reversed until both sides become dull.

CHAMFERING

See Figure 7, page 12.

The planer is designed with a chamfering groove in the front shoe to chamfer corners of boards as shown. Before making a cut on good lumber, practice cutting on scrap lumber to determine the amount to be removed.

- Clamp the work securely.
- Hold the depth adjustment knob with one hand and the handle with your other hand.
- Place the chamfering groove on the surface to be cut.
- Start the planer and let the motor reach maximum speed.
- Hold the planer firmly and push it forward into the work, using a slow, steady motion.
- Apply downward pressure to keep the planer flat at the beginning and the end of the work surface.

PLANING EDGES AND MAKING RABBET CUTS

The planer comes with an adjustable edge guide for precision edge planing and rabbet cutting. Attach the edge guide to either side of the planer for planing edges and attach the edge guide to the left side for making rabbet cuts.

ATTACHING THE EDGE GUIDE FOR PLANING EDGES

See Figure 8, page 12.

- Unplug the planer.
- Attach the bracket to the desired side of the planer and tighten the knob bolt securely.
- Attach the edge guide to the bracket using the knob nut and the carriage head bolt.
- Tighten the knob nut securely.

OPERATION

PLANING EDGES

See Figure 9, page 12.

Follow the directions in the **Planing** section earlier in this manual. Hold the edge guide firmly against the edge of the work surface.

ATTACHING THE EDGE GUIDE FOR MAKING RABBET CUTS

See Figure 8, page 12.

- Unplug the planer.
- Attach the bracket to the left side of the planer and tighten the knob bolt securely.
- Attach the edge guide loosely to the bracket using the knob nut and the carriage head bolt (do not tighten).

- Adjust the edge guide to the desired width for the rabbet cut.
- Tighten the knob nut securely.

TO MAKE RABBET CUTS

See Figure 10, page 12.

Follow the directions in the **Planing** section earlier in this manual. Rest the edge guide firmly against the edge of the work surface.

The depth of the rabbet is determined by the depth of the cut and the number of passes made along the work surface. The maximum depth of the rabbet cut is 1/2 in. and has to be cut in 1/8 in. passes or less to reach the desired depth. The width of the rabbet cut is adjustable by moving the edge guide.

MAINTENANCE

WARNING:

When servicing, use only identical replacement parts. Use of any other parts may create a hazard or cause product damage.

WARNING:

Always wear eye protection with side shields marked to comply with ANSI Z87.1. Failure to do so could result in objects being thrown into your eyes resulting in possible serious injury.

GENERAL MAINTENANCE

Avoid using solvents when cleaning plastic parts. Most plastics are susceptible to damage from various types of commercial solvents and may be damaged by their use. Use clean cloths to remove dirt, dust, oil, grease, etc.

WARNING:

Do not at any time let brake fluids, gasoline, petroleum-based products, penetrating oils, etc., come in contact with plastic parts. Chemicals can damage, weaken or destroy plastic which may result in serious personal injury.

Electric tools used on fiberglass material, wallboard, spackling compounds, or plaster are subject to accelerated wear and possible premature failure because the fiberglass chips and grindings are highly abrasive to bearings, brushes, commutators, etc. Consequently, we do not recommend using this tool for extended work on these types of materials. However, if you do work with any of these materials, it is extremely important to clean the tool using compressed air.

LUBRICATION

All of the bearings in this tool are lubricated with a sufficient amount of high grade lubricant for the life of the unit under normal operating conditions. Therefore, no further lubrication is required.

POWER SUPPLY CORD REPLACEMENT

If replacement of the power supply cord is necessary, this must be done by an authorized service center in order to avoid a safety hazard.

CLEANING THE EXHAUST PORT AND EMPTYING THE DUST BAG

See Figure 11, page 12.

After using the planer for an extended period of time or when planing wet or green lumber, chips may build-up in the exhaust port and require cleaning. Chip build-up restricts air flow and causes the motor to overheat. Clean the exhaust port and empty the dust bag regularly.

- Unplug the planer.
- Remove the dust bag from the exhaust port.
- Clean the chip or dust build-up from the exhaust port of the planer with a small piece of wood. Do not use your hands or fingers.
- Empty all debris from the dust bag and ensure that the collar is free of debris.
- Replace the dust bag.

MAINTENANCE

REPLACING BLADES

See Figures 12 - 14, page 13.

The planer blades are reversible. When one edge becomes dull, the blade can be reversed so that the other side can be used.

Always replace or reverse blades in pairs. Do not attempt to sharpen blades. If the blades in the planer show signs of becoming dull, chipped, or damaged in any way, replace them.

When replacing the blades, use recommended replacement blade only, RYOBI part number 039821001057.

WARNING:

Always wear heavy leather gloves and use caution when loosening blade screws and handling and/or changing blades. Blades are sharp and can cause serious personal injury.

- Unplug the planer.
- Secure the planer in an upside-down position.
- Loosen the three screws securing the blade on the blade holder by turning counterclockwise with the provided blade wrench.

NOTE: Do not over-loosen the screws. If screws are too loose, alignment of the new blade will not be accurate.

NOTE: Before removing the old blades, take notice of the direction of cut as well as how the tapered edge of the old blades are oriented. The tapered edge of the new blades must be in the same orientation as the original blades, with the tapered edge on the same side as the screw heads and the flat edge facing the cutter block.

- Depress the spring-loaded blade guard.
- Push the blade holder out of the cutter block assembly using the tip of a screwdriver.
- Remove the old blade from the blade holder by sliding the blade out.

NOTE: If blade cannot be easily pushed out of blade holder after loosening blade securing screws, use a block of wood to break the blade loose from the blade holder with a short sharp blow. Then push the blade with a screwdriver to remove. If necessary, tap the block of wood sharply with a small hammer to break the blade loose.

- Clean any sawdust or wood chips from around the blade area.
- Slide the new blade into the slot of the blade holder.
- Use a screwdriver to push the blade into the blade holder until it is centered into position.
- Depress the spring-loaded blade guard.
- Insert the blade holder into the cutter block assembly.
- Retighten the three blade securing screws using the blade wrench.
- Repeat the above procedure to change the other blade.

REPLACING THE BELT

See Figures 15 - 16, page 13.

When replacing the belt, use the recommended replacement belt only, RYOBI part number 039821001042.

- Unplug the planer.
- Remove belt cover screws.
- Remove the belt cover.
- Force the old belt from the small pulley by turning in the direction shown. As you turn the belt, pull and work it off the small pulley until it has been completely removed from both pulleys.
- Install the new belt over the large pulley. As you turn the belt, push and work it onto the small pulley until it is in place.
- Replace the belt cover.
- Install belt cover screws and tighten securely.

NOTE: Do not overtighten the screws.

ACCESSORIES

Look for these accessories where you purchased this product or call 1-800-525-2579.

Planer Blades	039821001057
Belt	039821001042

**NOTE: ILLUSTRATIONS START ON PAGE 11
AFTER FRENCH AND SPANISH LANGUAGE SECTIONS.**

AVERTISSEMENTS DE SÉCURITÉ GÉNÉRALES RELATIVES AUX OUTILS ÉLECTRIQUES



AVERTISSEMENT

Lire tous les avertissements et toutes les instructions.

Ne pas suivre l'ensemble des avertissements et des instructions peut entraîner une électrocution, un incendie ou des blessures graves.

Conserver les avertissements et les instructions à des fins de référence ultérieure. Le terme « outil motorisé », utilisé dans tous les avertissements ci-dessous désigne tout outil fonctionnant sur secteur (câblé) ou sur piles (sans fil).

SÉCURITÉ DU LIEU DE TRAVAIL

- **Garder le lieu de travail propre et bien éclairé.** Les endroits encombrés ou sombres sont propices aux accidents.
- **Ne pas utiliser d'outils électriques dans des atmosphères explosives, par exemple en présence de liquides, gaz ou poussières inflammables.** Les outils électriques produisent des étincelles risquant d'enflammer les poussières ou vapeurs.
- **Garder les enfants et badauds à l'écart pendant l'utilisation d'un outil électrique.** Les distractions peuvent causer une perte de contrôle.

SÉCURITÉ ÉLECTRIQUE

- **Les fiches des outils électriques doivent correspondre à la prise secteur utilisée. Ne jamais modifier la fiche, de quelque façon que ce soit. Ne jamais utiliser d'adaptateurs de fiche avec des outils mis à la terre.** Les fiches et prises non modifiées réduisent le risque de choc électrique.
- **Éviter tout contact du corps avec des surfaces mises à la terre, telles que tuyaux, radiateurs, cuisinières et réfrigérateurs.** Le risque de choc électrique est accru lorsque le corps est mis à la terre.
- **Ne pas exposer les outils électriques à l'eau ou l'humidité.** La pénétration d'eau dans ces outils accroît le risque de choc électrique.
- **Ne pas maltraiter le cordon d'alimentation. Ne jamais utiliser le cordon d'alimentation pour transporter l'outil et ne jamais débrancher ce dernier en tirant sur le cordon. Garder le cordon à l'écart de la chaleur, de l'huile, des objets tranchants et des pièces en mouvement.** Un cordon endommagé ou emmêlé accroît le risque de choc électrique.
- **Pour les travaux à l'extérieur, utiliser un cordon spécialement conçu à cet effet.** Utiliser un cordon conçu pour l'usage extérieur pour réduire les risques de choc électrique.
- **S'il est nécessaire d'utiliser l'outil électrique dans un endroit humide, employer un dispositif interrupteur de défaut à la terre (GFCI).** L'utilisation d'un GFCI réduit le risque de décharge électrique.

SÉCURITÉ PERSONNELLE

- **Rester attentif, prêter attention au travail et faire preuve de bon sens lors de l'utilisation de tout outil électrique. Ne pas utiliser cet outil en état de fatigue ou sous l'influence**

de l'alcool, de drogues ou de médicaments. Un moment d'inattention pendant l'utilisation d'un outil électrique peut entraîner des blessures graves.

- **Utiliser l'équipement de sécurité. Toujours porter une protection oculaire.** L'équipement de sécurité, tel qu'un masque filtrant, de chaussures de sécurité, d'un casque ou d'une protection auditive, utilisé dans des conditions appropriées réduira le risque de blessures.
- **Éviter les démarrages accidentels. S'assurer que le commutateur est en position d'arrêt avant de brancher l'outil.** Porter un outil avec le doigt sur son commutateur ou brancher un outil dont le commutateur est en position de marche peut causer un accident.
- **Retirer les clés de réglage avant de mettre l'outil en marche.** Une clé laissée sur une pièce rotative de l'outil peut causer des blessures.
- **Ne pas travailler hors de portée. Toujours se tenir bien campé et en équilibre.** Ceci permettra de mieux contrôler l'outil en cas de situation imprévue.
- **Porter une tenue appropriée. Ne porter ni vêtements amples, ni bijoux. Garder les cheveux, les vêtements et les gants à l'écart des pièces en mouvement.** Les vêtements amples, bijoux et cheveux longs peuvent se prendre dans les pièces en mouvement.
- **Si les outils sont équipés de dispositifs de dépoussiérage, s'assurer qu'ils sont connectés et correctement utilisés.** L'usage de ces dispositifs de dépoussiérage peut réduire les dangers présentés par la poussière.
- **Ne porter ni vêtements amples, ni bijoux. Attacher ou couvrir les cheveux longs.** Les vêtements amples, bijoux et cheveux longs peuvent se prendre dans les ouïes d'aération.
- **Ne pas utiliser l'outil sur une échelle ou un support instable.** Une bonne tenue et un bon équilibre permettent de mieux contrôler l'outil en cas de situation imprévue.

UTILISATION ET ENTRETIEN DES OUTILS ÉLECTRIQUES

- **Ne pas forcer l'outil. Utiliser l'outil approprié pour l'application.** Un outil approprié exécutera le travail mieux et de façon moins dangereuse s'il est utilisé dans les limites prévues.
- **Ne pas utiliser l'outil si le commutateur ne permet pas de le mettre en marche ou de l'arrêter.** Tout outil qui ne peut pas être contrôlé par son commutateur est dangereux et doit être réparé.
- **Débrancher l'outil et/ou retirer le bloc-piles avant d'effectuer des réglages, de changer d'accessoire ou de remiser l'outil.** Ces mesures de sécurité préventives réduisent les risques de démarrage accidentel de l'outil.
- **Ranger les outils motorisés hors de la portée des enfants et ne laisser personne n'étant pas familiarisé avec l'outil ou ces instructions utiliser l'outil.** Dans les mains de personnes n'ayant pas reçu des instructions adéquates, les outils sont dangereux.
- **Entretenir les outils motorisés. Vérifier qu'aucune pièce mobile n'est mal alignée ou bloquée, qu'aucune pièce**

AVERTISSEMENTS DE SÉCURITÉ GÉNÉRALES RELATIVES AUX OUTILS ÉLECTRIQUES

n'est brisée et s'assurer qu'aucun autre problème ne risque d'affecter le bon fonctionnement de l'outil. En cas de dommages faire réparer l'outil avant de l'utiliser de nouveau. Beaucoup d'accidents sont causés par des outils mal entretenus.

- **Garder les outils bien affûtés et propres.** Des outils correctement entretenus et dont les tranchants sont bien affûtés risquent moins de se bloquer et sont plus faciles à contrôler.
- **Utiliser l'outil, les accessoires et embouts, etc. conformément à ces instructions pour les applications pour lesquelles ils sont conçus, en tenant compte des conditions et du type de travail à exécuter.** L'usage d'un outil motorisé pour des applications pour lesquelles il n'est pas conçu peut être dangereux.

DÉPANNAGE




- **Les réparations doivent être confiées à un technicien qualifié, utilisant exclusivement des pièces identiques à celles d'origine.** Ceci assurera le maintien de la sécurité de l'outil.
- **Utiliser exclusivement des pièces identiques à celles d'origine pour les réparations. Se conformer aux instructions de la section Entretien de ce manuel.** L'usage de pièces non autorisées ou le non-respect des instructions peut présenter des risques de choc électrique ou de blessures.

AVERTISSEMENTS DE SÉCURITÉ RELATIFS AU RABOTEUSE ÉLECTRIQUE






- **Attendre l'arrêt de la lame avant de poser l'outil.** La lame en rotation exposée pourrait mordre dans la surface à raboter et causer une perte de contrôle pouvant entraîner des blessures graves.
- **Lorsque l'outil est utilisé pour un travail risquant de le mettre en contact avec des fils électriques cachés, le tenir par les surfaces de prise isolées.** Le contact d'un accessoire de coupe avec un fil sous tension « électrifie » les pièces métalliques exposées de l'outil et peut électrocuter l'utilisateur.
- **Utiliser des serre-joints ou un autre moyen pratique de fixer et de soutenir une pièce à travailler sur une plate-forme stable.** Une pièce tenue à la main ou contre son corps est instable et peut causer une perte de contrôle.
- **Apprendre à connaître l'outil. Lire attentivement le manuel d'utilisation. Apprendre les applications et les limites de l'outil, ainsi que les risques spécifiques relatifs à son utilisation.** Le respect de cette consigne réduira les risques d'incendie, de choc électrique et de blessures graves.
- **Toujours porter une protection oculaire avec écrans latéraux certifiée conforme à la norme ANSI Z87.1.** Le respect de cette règle réduira les risques de blessures graves.
- **Protection respiratoire. Porter un masque facial ou un masque anti-poussière si le travail produit de la poussière.** Le respect de cette consigne réduira les risques de blessures graves.
- **Protection auditive. Porter une protection auditive lors de l'utilisation prolongée.** Le respect de cette règle réduira les risques de blessures graves.
- **Inspecter régulièrement les cordons d'alimentation des outils et, s'ils sont endommagés, les confier au centre de réparations agréé le plus proche. Toujours être conscient de l'emplacement du cordon.** Le respect de cette règle réduira les risques de choc électrique et d'incendie.
- **Vérifier l'état des pièces. Avant d'utiliser l'outil de nouveau examiner soigneusement les pièces et dispositifs de protection qui semblent endommagés afin de déterminer s'ils fonctionnent correctement et s'ils remplissent les fonctions prévues. Vérifier l'alignement des pièces mobiles, s'assurer qu'aucune pièce n'est bloquée ou cassée, vérifier la fixation de chaque pièce et s'assurer qu'aucun autre problème ne risque d'affecter le bon fonctionnement de l'outil. Toute protection ou pièce endommagée doit être correctement réparée ou remplacée dans un centre de réparations agréé.** Le respect de cette consigne réduira les risques de choc électrique, d'incendie et de blessures graves.
- **S'assurer que le cordon prolongateur est en bon état. Si un cordon prolongateur est utilisé, s'assurer que sa capacité est suffisante pour supporter le courant de fonctionnement de l'outil. Un calibre de fil (A.W.G) d'au minimum 16 est recommandé pour un cordon prolongateur de 15 m (50 pi) ou moins. L'usage d'un cordon de plus de 30 m (100 pi) est déconseillé. En cas de doute, utiliser un cordon du calibre immédiatement supérieur. Moins le numéro de calibre est élevé, plus la capacité du fil est grande.** Un cordon de capacité insuffisante causerait une baisse de la tension de ligne, entraînant une perte de puissance et une surchauffe.
- **Inspecter la pièce et retirer les clous éventuels avant d'utiliser cet outil.** Le respect de cette consigne réduira les risques de blessures graves.
- **Conserver ces instructions.** Les consulter fréquemment et les utiliser pour instruire les autres utilisateurs éventuels. Si cet outil est prêté, il doit être accompagné de ces instructions.

SYMBOLES

Les termes de mise en garde suivants et leur signification ont pour but d'expliquer le degré de risques associé à l'utilisation de ce produit.

SYMBOLE	SIGNAL	SIGNIFICATION
	DANGER :	Indique une situation dangereuse qui, si elle n'est pas évitée, aura pour conséquences des blessures graves ou mortelles.
	AVERTISSEMENT :	Indique une situation dangereuse qui, si elle n'est pas évitée, pourrait entraîner des blessures graves ou mortelles.
	ATTENTION :	Indique une situation dangereuse qui, si elle n'est pas évitée, pourrait entraîner des blessures légères ou de gravité modérée.
	AVIS :	(Sans symbole d'alerte de sécurité) Indique les informations jugées importantes sans toutefois représenter un risque de blessure (ex. : messages concernant les dommages matériels).

Certains des symboles ci-dessous peuvent être utilisés sur produit. Veiller à les étudier et à apprendre leur signification. Une interprétation correcte de ces symboles permettra d'utiliser produit plus efficacement et de réduire les risques.

SYMBOLE	NOM	DÉSIGNATION / EXPLICATION
	Symbole d'alerte de sécurité	Indique un risque de blessure potentiel.
	Lire le manuel d'utilisation	Pour réduire les risques de blessures, l'utilisateur doit lire et veiller à bien comprendre le manuel d'utilisation avant d'utiliser ce produit.
	Protection oculaire	Toujours porter une protection oculaire avec écrans latéraux certifiée conforme à la norme ANSI Z87.1.
	Avertissement concernant l'humidité	Ne pas exposer à la pluie ou l'humidité.
V	Volts	Tension
A	Ampères	Intensité
Hz	Hertz	Fréquence (cycles par seconde)
min	Minutes	Temps
~	Courant alternatif	Type de courant
n_0	Vitesse à vide	Vitesse de rotation à vide
	Outil de la classe II	Construction à double isolation
.../min	Par minute	Tours, coups, vitesse périphérique, orbites, etc., par minute

CARACTÉRISTIQUES ÉLECTRIQUES

DOUBLE ISOLATION

La double isolation est un dispositif de sécurité utilisé sur les outils à moteur électriques, éliminant le besoin de cordon d'alimentation habituel à trois fils avec terre. Toutes les pièces métalliques exposées sont isolées des composants internes du moteur par l'isolation protectrice. Les outils à double isolation ne nécessitent pas de mise à la terre.



AVERTISSEMENT

Le système à double isolation est conçu pour protéger l'utilisateur contre les chocs électriques causés par une rupture de l'isolation interne de l'outil. Prendre toutes les précautions de sécurité normales pour éviter les chocs électriques.

NOTE : La réparation d'un outil à double isolation exigeant des précautions extrêmes ainsi que la connaissance du système, elle ne doit être confiée qu'à un réparateur qualifié. En ce qui concerne les réparations, nous recommandons de confier l'outil au centre de réparation le plus proche. Utiliser exclusivement des pièces d'origine pour les réparations.

CONNEXIONS ÉLECTRIQUES

Cet outil est équipé d'un moteur électrique de précision. Elle doit être branchée uniquement sur une **alimentation 120 V, c.a. (courant résidentiel standard), 60 Hz**. Ne pas utiliser cet outil sur une source de courant continu (c.c.). Une chute de tension importante causerait une perte de puissance et une surchauffe du moteur. Si l'outil ne fonctionne pas une fois branché, vérifier l'alimentation électrique.

CORDONS PROLONGATEURS

Lors de l'utilisation d'un outil électrique à grande distance d'une prise secteur, veiller à utiliser un cordon prolongateur d'une capacité suffisante pour supporter l'appel de courant de l'outil. Un cordon de capacité insuffisante causerait une baisse de la tension de ligne, entraînant une perte de puissance et une surchauffe. Se reporter au tableau ci-dessous pour déterminer le calibre minimum de fil requis pour un cordon donné. Utiliser exclusivement des cordons à gaine cylindrique homologués par Underwriter's Laboratories (UL).

Pour le travail à l'extérieur, utiliser un cordon prolongateur spécialement conçu à cet effet. Ce type de cordon porte l'inscription « WA » ou « W » sur sa gaine.

Avant d'utiliser un cordon prolongateur, vérifier que ses fils ne sont ni détachés ni exposés et que son isolation n'est ni coupée, ni usée.

**Intensité nominale (sur la plaquette signalétique de l'outil)

	0-2,0	2,1-3,4	3,5-5,0	5,1-7,0	7,1-12,0	12,1-16,0
Longueur du cordon	Calibre de fil (A.W.G.)					
25'	16	16	16	16	14	14
50'	16	16	16	14	14	12
100'	16	16	14	12	10	—

**Utilisé sur circuit de calibre 12 – 20 A

NOTE : AWG = American Wire Gauge



AVERTISSEMENT

Maintenir le cordon prolongateur à l'écart de la zone de travail. Lors du travail avec un cordon électrique, placer le cordon de manière à ce qu'il ne risque pas de se prendre dans les pièces de bois, outils et autres obstacles. Ne pas prendre cette précaution peut entraîner des blessures graves.



AVERTISSEMENT

Vérifier l'état des cordons prolongateurs avant chaque utilisation. Remplacer immédiatement tout cordon endommagé. Ne jamais utiliser un outil dont le cordon d'alimentation est endommagé, car tout contact avec la partie endommagée pourrait causer un choc électrique et des blessures graves.

CARACTÉRISTIQUES

FICHE TECHNIQUE

Profondeur de rabotage maximum3 mm (1/8 po)

Largeur de rabotage maximum 83 mm (3-1/4 po)

Profondeur de feuilure maximum 12,7 mm (1/2 po)

Vitesse à vide 16 500 r/min

Alimentation..... 120 V, c.a. seulement, 6 A, 60 Hz

ASSEMBLAGE



AVERTISSEMENT

Ne pas utiliser le produit s'il n'est pas complètement assemblé ou si des pièces semblent manquantes ou endommagées. L'utilisation d'un produit dont l'assemblage est incorrect ou incomplet ou comportant des pièces endommagées ou absentes représente un risque de blessures graves.



AVERTISSEMENT

Ne pas essayer de modifier cet outil ou de créer des pièces et accessoires non recommandés. De telles altérations ou modifications sont considérées comme un usage abusif et peuvent créer des conditions dangereuses, risquant d'entraîner des blessures graves.

Si des pièces manquent ou sont endommagées, veuillez appeler au 1-800-525-2579 pour obtenir de l'aide.

UTILISATION

AVERTISSEMENT

Ne pas laisser la familiarité avec l'outillage faire oublier la prudence. Ne pas oublier qu'une fraction de seconde d'inattention peut entraîner des blessures graves.

AVERTISSEMENT

Toujours porter une protection oculaire avec écrans latéraux certifiée conforme à la norme ANSI Z87.1. Si cette précaution n'est pas prise, des objets peuvent être projetés dans les yeux et causer des lésions graves.

AVERTISSEMENT

Ne pas utiliser d'accessoires ou d'outils non recommandés par le fabricant de cet outil. L'utilisation de pièces et accessoires non recommandés peut entraîner des blessures graves.

APPLICATIONS

Cet outil peut être utilisé pour les applications ci-dessous :

- Rabotage du bord d'une porte ou d'une tablette en bois
- Rabotage du bord d'une pièce de bois
- Coupe de feuillures

INSTALLATION DU SAC À POUSSIÈRE

Voir la figure 1, page 11.

- Débrancher la raboteuse.
- Glisser le collier du sac à poussière sur l'orifice d'évacuation.

NOTE : Pour enlever le sac à poussière, le tirer en droite ligne de l'orifice d'évacuation.

AVIS :

Le sac se remplit rapidement. Le vider fréquemment pour éviter des dommages à l'outil.

RÉGLAGE D'ORIENTATION DE L'ÉVACUATION

Voir la figure 2, page 11.

L'évacuation peut être orientée à droite ou à gauche pour permet de contrôler la direction de l'éjection des copeaux lors du travail dans des espaces confinés.

Pour régler la direction de l'évacuation et du sac à poussière :

- Débrancher la raboteuse.
- **Pour diriger l'échappement vers la droite :** Déplacer le bouton de direction de l'échappement de manière à ce que la flèche pointe vers la droite (la poignée étant le point gauche). Installer le sac à poussière sur l'orifice d'aspiration droit.

- **Pour diriger l'échappement vers la gauche :** Déplacer le bouton de direction de l'échappement de manière à ce que la flèche pointe vers la gauche (la poignée étant le point droit). Installer le sac à poussière sur l'orifice d'aspiration gauche.

PROFONDEUR DE RABOTAGE

Voir la figure 3, page 11.

Lors du rabotage d'une pièce brute, le rabot n'aplanit au départ que les parties saillantes. Les passages successifs enlèvent de plus en plus de matière à la surface. En n'enlevant pas plus de 0,40 mm (1/64 po) à chaque coup de rabot, vous obtiendrez le fini le plus lisse de la pièce la plus brute.

Toujours commencer en faisant un essai sur une chute de bois afin de s'assurer que les lames coupent l'épaisseur souhaitée.

Réglage de la profondeur de rabotage :

- Débrancher la raboteuse.
- Tourner le bouton de réglage de la profondeur dans le sens des aiguilles d'une montre pour atteindre la profondeur de coupe maximale.

NOTE : Pour protéger les lames lors du rangement, du transport et autres, tourner le bouton de réglage de profondeur vers la gauche (P) afin d'immobiliser la lame.

MISE EN MARCHÉ ET ARRÊT DE LA RABOTEUSE

Voir la figure 4, page 12.

- **Pour mettre la raboteuse en marche :** Appuyer le bouton de verrouillage et presser la gâchette.
- **Pour l'arrêter :** Relâcher la gâchette.

UTILISATION DE LA RABOTEUSE

- Assujettir solidement la pièce à raboter.
- Soutenir la planche de manière à ce qu'elle se trouve à droite.

AVERTISSEMENT

Le déplacement de la pièce pendant le rabotage peut causer une perte de contrôle pouvant entraîner des blessures graves.

- Tenir la raboteuse à deux mains. Tenir le bouton de réglage de la profondeur avec la main gauche et la poignée arrière, avec la main droite.
- Raboter lentement et vider le sac à poussière fréquemment.

AVIS :

Un rabotage trop rapide nuit à la qualité de la finition et augmente l'accumulation de copeaux dans l'orifice d'évacuation. Cette accumulation bloque la circulation de l'air, ce qui peut causer une surchauffe du moteur.

UTILISATION

AVERTISSEMENT

Ne pas essayer de débloquent l'évacuation avant que les lames soient parvenues à un arrêt complet et que l'outil ait été débranché. Le non respect de cette mise en garde peut entraîner des blessures graves.

AVERTISSEMENT

Garder le cordon d'alimentation à l'écart de la zone de rabotage et les lames. Ne pas le laisser pendre sur la pièce pendant le rabotage. L'utilisation d'une raboteuse dont le cordon est endommagé pourrait causer un choc électrique et des blessures graves.

BÉQUILLE

Voir la figure 5, page 12.

Cette raboteuse est équipée d'une béquille pivotante automatique qui empêche les lames de toucher le bois lorsque l'outil n'est pas en usage. Dès que le rabotage commence, la béquille se rétracte automatiquement lorsqu'elle atteint le bord de la pièce. Lorsque la raboteuse est posée sur l'établi ou la pièce, la béquille pivote automatiquement pour empêcher la lame de toucher le bois.

AVERTISSEMENT

Toujours s'assurer que la béquille fonctionne librement et que des débris se trouvant à proximité ne risquent pas de la bloquer. Ne pas prendre cette précaution peut entraîner des blessures graves.

RABOTAGE

Voir la figure 6, page 12.

- Assujettir solidement la pièce à raboter.
- Régler la profondeur de rabotage. Voir **Profondeur de rabotage**, plus haut dans ce manuel.
- Tenir le bouton de réglage de la profondeur avec la main gauche et la poignée arrière avec la main droite.

AVERTISSEMENT

Toujours garder les deux mains sur l'outil, quel que soit le travail, afin d'en garder le contrôle et d'éviter des blessures graves. Toujours soutenir et assujettir correctement la pièce à raboter, de façon à avoir les deux mains libres pour contrôler la raboteuse. Ne jamais faire fonctionner l'outil au-dessus de sa tête ou de manière contraire à la position d'utilisation adéquate. Le non-respect de cette règle de sécurité peut entraîner des blessures graves.

- Placer le sabot avant sur le bord de la pièce à raboter.
NOTE : S'assurer que les lames ne touchent pas la pièce.
- Appuyer sur le bouton de réglage de la profondeur, de manière à ce que le sabot avant repose parfaitement à plat sur la pièce.

- Mettre la raboteuse en marche et laisser le moteur parvenir à sa vitesse maximum.
- Tenir la raboteuse fermement et la pousser en avant sur la pièce, avec un mouvement lent et régulier.
- Pousser la poignée arrière vers le bas lorsque la raboteuse parvient en fin de passe. Ceci aide à garder l'arrière de la semelle de la raboteuse en contact avec la pièce et à empêcher l'avant d'entamer le bois.

AVERTISSEMENT

Veiller à ne pas heurter de clous pendant le rabotage car ceux-ci pourraient ébrécher, fendre ou endommager les lames.

NOTE : Nous recommandons de garder un jeu de lame de rechange à portée de la main. Dès que les lames de la raboteuse deviennent émoussées, les remplacer. Les lames sont réversibles et peuvent donc être retournée lorsqu'un tranchant est émoussé.

CHANFREINS

Voir la figure 7, page 12.

Le sabot avant de la raboteuse comporte une gorge permettant de chanfreiner le bord des planches, comme illustré. Avant de chanfreiner une pièce, pratiquer le chanfrein sur des chutes, afin de déterminer la quantité de bois à éliminer.

- Assujettir solidement la pièce.
- Tenir le bouton de réglage de la profondeur avec la main gauche et la poignée arrière avec la main droite.
- Placer la gorge à chanfrein sur la pièce.
- Mettre la raboteuse en marche et laisser le moteur parvenir à sa vitesse maximum.
- Tenir la raboteuse fermement et la pousser en avant sur la pièce, avec un mouvement lent et régulier.
- Appuyer sur la poignée arrière au début et en fin de passe afin de maintenir la semelle à plat sur la pièce.

RABOTAGE DE CHANFREIN ET FEUILLURE

Un guide réglable, fourni avec l'outil, permet d'effectuer des rabotages de chant et des feuillures de précision. Pour le rabotage de chant le guide peut être installé sur le côté droit ou gauche et pour la feuillure, il doit être monté sur le côté gauche.

INSTALLATION DU GUIDE POUR LE RABOTAGE DE CHANTS

Voir la figure 8, page 12.

- Débrancher la raboteuse.
- Installer le guide sur le côté désiré de la raboteuse, au moyen du boulon à bouton.
- Fixer le guide sur le support au moyen du écrou à bouton et du boulon traversant.
- Serrer le écrou à bouton.

UTILISATION

RABOTAGE DE CHANTS

Voir la figure 9, page 12.

Se conformer aux instructions de la section **Rabotage** de ce manuel. Tenir le guide fermement appuyé sur le chant à raboter.

INSTALLATION DU GUIDE POUR LA FEUILLURE

Voir la figure 8, page 12.

- Débrancher la raboteuse.
- Installer le guide sur le côté gauche de la raboteuse, au moyen du boulon à bouton.
- Fixer le guide sur le support au moyen du écrou à bouton et du boulon traversant (ne pas serrer).

- Régler le guide à la largeur de feuillure désirée.
- Serrer le écrou à bouton.

FEUILLURES

Voir la figure 10, page 12.

Se conformer aux instructions de la section **Rabotage** de ce manuel. Tenir le guide fermement appuyé sur le chant à raboter.

La profondeur de la feuillure est déterminée par le réglage de profondeur et le nombre de passes effectuées. Nous recommandons de ne pas effectuer de feuillures de plus de 12,7 mm (1/2 po) de profondeur totale et de ne pas utiliser un réglage de plus de 3,2 mm (1/8 po) à chaque passe. Largeur de feuillure se règle en déplaçant le guide.

ENTRETIEN



AVERTISSEMENT

Utiliser exclusivement des pièces identiques à celles d'origine pour les réparations. L'usage de toute autre pièce pourrait créer une situation dangereuse ou endommager l'outil.



AVERTISSEMENT

Toujours porter une protection oculaire avec écrans latéraux certifiée conforme à la norme ANSI Z87.1. Si cette précaution n'est pas prise, des objets peuvent être projetés dans les yeux et causer des lésions graves.

ENTRETIEN GÉNÉRAL

Éviter d'utiliser des solvants pour le nettoyage des pièces en plastique. La plupart des matières plastiques peuvent être endommagées par divers types de solvants du commerce. Utiliser un chiffon propre pour éliminer la saleté, la poussière, l'huile, la graisse, etc.



AVERTISSEMENT

Ne jamais laisser de liquides tels que le fluide de freins, l'essence, les produits à base de pétrole, les huiles pénétrantes, etc., entrer en contact avec les pièces en plastique. Les produits chimiques peuvent endommager, affaiblir ou détruire le plastique, ce qui peut entraîner des blessures graves.

Les outils électriques utilisés sur la fibre de verre, le placoplâtre, les mastics de bouchage ou le plâtre s'usent plus vite et sont susceptibles de défaillance prématurée, car les particules et les éclats de fibre de verre sont fortement

abrasifs pour les roulements, balais, commutateurs, etc. Toutefois, si l'outil a été utilisé sur l'un de ces matériaux, il est extrêmement important de le nettoyer à l'air comprimé.

LUBRIFICATION

Tous les roulements de cet outil sont enduits d'une quantité suffisante de lubrifiant de haute qualité pour la durée de vie de l'outil, dans des conditions d'utilisation normales. Aucune autre lubrification n'est donc nécessaire.

REMPACEMENT DU CORDON D'ALIMENTATION

S'il y a lieu, le cordon d'alimentation doit être remplacé par un un centre de réparation agréé afin d'éviter tout risque.

NETTOYAGE DE L'ORIFICE D'ÉVACUATION ET VIDAGE DU SAC À POUSSIÈRE

Voir la figure 11, page 12.

Lorsque la raboteuse a été utilisée pour un travail de longue durée ou sur du bois vert ou humide, des copeaux peuvent s'accumuler dans l'orifice d'évacuation, qui devra alors être nettoyé. L'accumulation de copeaux bloque la circulation de l'air, ce qui peut causer une surchauffe du moteur. Nettoyer l'orifice d'évacuation et vider le sac à poussière régulièrement.

- Débrancher la raboteuse.
- Retirer le sac à poussière de l'orifice d'évacuation.
- Débarrasser l'orifice d'évacuation des copeaux à l'aide d'un petit morceau de bois. Ne pas utiliser les mains ou les doigts.
- Vider complètement le sac et s'assurer que le collier est propre.
- Remettre le sac à poussière en place.

ENTRETIEN

REPLACEMENT DES LAMES

Voir les figures 12 à 14, page 13.

Les lames du rabot sont réversibles. Lorsqu'un bord est émoussé, la lame peut être inversée pour utiliser l'autre côté.

Les lames doivent toujours être remplacées ou permutées en paires. Ne pas essayer de les affûter. Remplacer les lames de la raboteuse si elles commencent à s'émousser, s'ébrécher ou si elles sont endommagées.

N'utiliser que les lames RYOBI recommandées, réf. 039821001057 lors du remplacement.

AVERTISSEMENT

Toujours porter des gants en cuir épais et être prudent lors du dévissage des vis de la lame et pendant la manipulation et le changement de lames. Les lames sont coupantes et peuvent causer des blessures graves..

- Débrancher la raboteuse.
- Bloquer la raboteuse posée à l'envers.
- Dévisser les trois vis fixant la lame au support de lame en tournant vers la gauche avec la clé pour lame fournie.

NOTE : Ne pas trop desserrer les vis. Si les vis sont trop desserrées la nouvelle lame ne sera pas alignée correctement.

NOTE : Avant de retirer les lames usées, noter leur sens de coupe, ainsi que l'orientation de leur biseau. L'orientation du biseau des nouvelles lames doit être la même que celle des lames d'origine, le biseau se trouvant du même côté que les têtes des vis et le bord plat face au bloc de coupe.

- Appuyer sur le protège-lame à ressort.
- Pousser le support de lame vers l'extérieur de la tête porte-lame en utilisant la pointe d'un tournevis.
- Retirer la lame usagée du support de lame en la glissant vers l'extérieur.

NOTE : Si la lame ne peut pas être retirée facilement de son support après avoir retiré les vis, la frapper d'un coup sec avec un morceau de bois pour la débloquent. Ensuite, la pousser hors du support avec un tournevis. Au besoin, frapper le morceau de bois avec un marteau pour débloquent la lame.

- Débarrasser le pourtour de la lame de la sciure et des copeaux éventuels.
- Glisser la nouvelle lame dans la fente du support.
- Utiliser un tournevis pour centrer le support de lame.
- Appuyer sur le protège-lame à ressort.
- Insérer le support de lame dans l'assemblage de la tête porte-lame.
- Resserrer les trois vis de lame à l'aide de la clé fournie.
- Répéter la procédure ci-dessus pour remplacer l'autre lame.

REPLACEMENT DE LA COURROIE

Voir les figures 15 et 16, page 13.

N'utiliser que la courroie RYOBI recommandée, réf. 039821001042 lors du remplacement.

- Débrancher la raboteuse.
- Retirer les vis du carter de courroie.
- Retirer le carter.
- Forcer la courroie usée hors de la petite poulie en tournant dans le sens indiqué. À mesure de la rotation, tirer la courroie vers l'extérieur de la petite poulie jusqu'à ce qu'elle soit complètement libérée des deux poulies.
- Engager la nouvelle courroie sur la nouvelle poulie. À mesure de la rotation, pousser la courroie sur la petite poulie jusqu'à ce qu'elle soit complètement engagée.
- Remettre le carter de courroie en place.
- Réinstaller les vis du carter et les serrer.

NOTE : Ne pas trop serrer les vis.

ACCESSOIRES

Rechercher ces accessoires où le produit a été acheté ou appeler au 1 800 525-2579.

Lames pour raboteuse039821001057
Courroie.....039821001042

**NOTE : ILLUSTRATIONS COMMENÇANT
SUR 11 DE PAGE APRÈS LE SECTION ESPAGNOL.**

ADVERTENCIAS DE SEGURIDAD PARA HERRAMIENTAS ELÉCTRICAS



ADVERTENCIA

Lea todas las advertencias de seguridad y las instrucciones. La inobservancia de las advertencias e instrucciones puede causar descargas eléctricas, incendios o lesiones graves.

Guarde todas las advertencias e instrucciones para consultarlas en el futuro. El término “herramienta eléctrica” en las advertencias se refiere a las herramientas eléctricas que funcionan con corriente (con cordón) o las que funcionan con batería (inalámbricas).

ÁREA DE TRABAJO

- **Mantenga limpia y bien iluminada el área de trabajo.** Un área de trabajo mal despejada o mal iluminada propicia accidentes.
- **No utilice herramientas motorizadas en atmósferas explosivas, como las existentes alrededor de líquidos, gases y polvos inflamables.** Las herramientas eléctricas generan chispas que pueden encender el polvo y los vapores inflamables.
- **Mantenga alejados a los niños y circunstancias al maniobrar una herramienta eléctrica.** Toda distracción puede causar la pérdida del control de la herramienta.

SEGURIDAD ELÉCTRICA

- **Las clavijas de las herramientas eléctricas deben corresponder a las tomas de corriente donde se conectan. Nunca modifique la clavija de ninguna forma. No utilice ninguna clavija adaptadora con herramientas eléctricas dotadas de contacto a tierra.** Conectando las clavijas originales en las tomas de corriente donde corresponden se disminuye el riesgo de una descarga eléctrica.
- **Evite el contacto del cuerpo con las superficies de objetos conectados a tierra, como las tuberías, radiadores, estufas y refrigeradores.** Existe un mayor riesgo de descargas eléctricas si el cuerpo está haciendo tierra.
- **No exponga las herramientas eléctricas a la lluvia ni a condiciones de humedad.** La introducción de agua en una herramienta eléctrica aumenta el riesgo de descargas eléctricas.
- **No maltrate el cordón eléctrico. Nunca utilice el cordón para trasladar, desconectar o tirar de la herramienta eléctrica. Mantenga el cordón lejos del calor, aceite, bordes afilados y piezas móviles.** Los cordones eléctricos dañados o enredados aumentan el riesgo de descargas eléctricas.
- **Al utilizar una herramienta eléctrica a la intemperie, use un cordón de extensión apropiado para el exterior.** Usando un cordón adecuado para el exterior se disminuye el riesgo de descargas eléctricas.
- **Si debe operar una herramienta en lugares húmedos, use un suministro protegido por un interruptor de circuito con pérdida a tierra (GFCI).** El uso de un GFCI reduce el riesgo de descargas eléctricas.

SEGURIDAD PERSONAL

- **Permanezca alerta, preste atención a lo que esté haciendo y aplique el sentido común al utilizar herramientas eléctricas.**

No utilice la herramienta eléctrica si está cansado o se encuentra bajo los efectos de alguna droga, alcohol o medicamento. Un momento de inatención al utilizar una herramienta eléctrica puede causar lesiones corporales serias.

- **Utilice protección el equipo otros. Siempre póngase protección ocular.** El uso de equipo protector como mascarilla para el polvo, calzado de seguridad, casco y protección para los oídos en las circunstancias donde corresponda disminuye el riesgo de lesiones.
- **Evite que la herramienta se active accidentalmente. Asegúrese de que el interruptor esté en la posición de apagado antes de conectar la herramienta a un suministro de corriente o de colocar un paquete de baterías.** Transportar herramientas eléctricas con el dedo en el interruptor o enchufar herramientas eléctricas que tienen el interruptor encendido puede ocasionar accidentes.
- **Retire toda llave o herramienta de ajuste antes de encender la herramienta eléctrica.** Toda llave o herramienta de ajuste dejada en una pieza giratoria de la herramienta eléctrica puede causar lesiones.
- **No estire el cuerpo para alcanzar mayor distancia. Mantenga una postura firme y buen equilibrio en todo momento.** De esta manera se logra un mejor control de la herramienta eléctrica en situaciones inesperadas.
- **Vístase adecuadamente. No vista ropas holgadas ni joyas. Mantenga el cabello, la ropa y los guantes alejados de las piezas móviles.** Las ropas holgadas y las joyas, así como el cabello largo, pueden engancharse en las piezas móviles.
- **Si se suministran dispositivos para conectar mangueras de extracción y captación de polvo, asegúrese de que éstas estén bien conectadas y se usen correctamente.** El uso de la captación de polvo puede reducir los peligros relacionados con éste.
- **No vista ropas holgadas ni joyas. Recójase el cabello si está largo.** Las ropas holgadas y las joyas, así como el cabello largo, pueden resultar atraídas hacia el interior de las aberturas de ventilación.
- **No utilice la unidad al estar en una escalera o en un soporte inestable.** Una postura estable sobre una superficie sólida permite un mejor control de la herramienta eléctrica en situaciones inesperadas.

EMPLEO Y CUIDADO DE LA HERRAMIENTA ELÉCTRICA

- **No fuerce la herramienta eléctrica. Utilice la herramienta eléctrica adecuada para cada trabajo.** La herramienta eléctrica adecuada efectúa mejor y de manera más segura el trabajo, si además se maneja a la velocidad para la que está diseñada.
- **No utilice la herramienta si el interruptor no enciende o no apaga.** Cualquier herramienta eléctrica que no pueda controlarse con el interruptor es peligrosa y debe repararse.
- **Desconecte la clavija del suministro de corriente o retire el paquete de baterías de la herramienta eléctrica, según sea el caso, antes de efectuarle cualquier ajuste, cambiarle accesorios o guardarla.** Tales medidas preventivas de seguridad reducen el riesgo de poner en marcha accidentalmente la herramienta.
- **Guarde las herramientas eléctricas desocupadas fuera del alcance de los niños y no permita que las utilicen**

ADVERTENCIAS DE SEGURIDAD PARA HERRAMIENTAS ELÉCTRICAS

personas no familiarizadas con las mismas o con estas instrucciones. Las herramientas eléctricas son peligrosas en manos de personas no capacitadas en el uso de las mismas.

- **Preste servicio a las herramientas eléctricas. Revise para ver si hay desalineación o atoramiento de piezas móviles, ruptura de piezas o cualquier otra condición que pueda afectar el funcionamiento de la herramienta. Si está dañada la herramienta eléctrica, permita que la reparen antes de usarla.** Numerosos accidentes son causados por herramientas eléctricas mal cuidadas.
- **Mantenga las herramientas de corte afiladas y limpias.** Las herramientas de corte bien cuidadas y con bordes bien afilados, tienen menos probabilidad de atascarse en la pieza de trabajo y son más fáciles de controlar.
- **Utilice la herramienta eléctrica, los accesorios y brocas, hojas y cuchillas de corte, ruedas de esmeril, etc. de**

conformidad con estas instrucciones, tomando en cuenta las condiciones de trabajo y la tarea por realizar. Si se utiliza la herramienta eléctrica para operaciones diferentes de las indicadas podría originar una situación peligrosa.

SERVICIO

- **Permita que un técnico de reparación calificado preste servicio a la herramienta eléctrica, y sólo con piezas de repuesto idénticas.** De esta manera se mantiene la seguridad de la herramienta eléctrica.
- **Al dar servicio a una herramienta eléctrica, sólo utilice piezas de repuesto idénticas. Siga las instrucciones señaladas en la sección Mantenimiento de este manual.** El empleo de piezas no autorizadas o el incumplimiento de las instrucciones de mantenimiento puede significar un riesgo de descarga eléctrica o de lesiones.

ADVERTENCIAS DE SEGURIDAD ESPECÍFICAS CEPILLO




- **Espera a que se detengan las cuchillas el portacuchillas antes de poner en reposo la herramienta.** El portacuchillas giratorias expuesto puede coger la superficie donde se deposite la herramienta, causando posiblemente la pérdida del control de la misma y lesiones serias.
- **Sujete la herramienta eléctrica por las superficies aisladas de sujeción al efectuar una operación en la cual la herramienta de corte pueda entrar en contacto con su propio cordón eléctrico.** Todo contacto de una herramienta con un cable cargado carga las piezas metálicas expuestas de la herramienta y da una descarga eléctrica al operador.
- **Utilice prensas o cualquier otro medio práctico de asegurar y sostener la pieza de trabajo en una plataforma segura.** Sostener la pieza de trabajo con la mano o contra el cuerpo la deja inestable y puede causar la pérdida de control de la misma.
- **Familiarícese con su herramienta eléctrica. Lea cuidadosamente el manual del operador. Aprenda sus usos y limitaciones, así como los posibles peligros específicos de esta herramienta.** Con el cumplimiento de esta regla se reduce el riesgo de una descarga eléctrica, incendio o lesión seria.
- **Siempre póngase protección ocular con protección lateral con la marca de cumplimiento de la norma ANSI Z87.1.** Con el cumplimiento de esta regla se reduce el riesgo de lesiones corporales serias.
- **Protéjase los pulmones. Use una careta o mascarilla contra el polvo si la operación genera mucho polvo.** Con el cumplimiento de esta regla se reduce el riesgo de lesiones serias.
- **Protéjase los oídos. Durante períodos prolongados de utilización del producto, póngase protección para los oídos.** Con el cumplimiento de esta regla se reduce el riesgo de lesiones corporales serias.
- **Inspeccione periódicamente los cordones eléctricos de las herramientas, y si están dañados, permita que los reparen**

en el centro de servicio autorizado más cercano de la localidad. Tenga presente constantemente la ubicación del cordón eléctrico. El cumplimiento de esta norma reduce el riesgo de una descarga eléctrica o incendio.






- **Revise para ver si hay piezas dañadas. Antes de seguir utilizando la herramienta, es necesario inspeccionar cuidadosamente toda protección o pieza dañada para determinar si funcionará correctamente y desempeñará la función a la que está destinada. Verifique la alineación de las partes móviles, que no haya atoramiento de partes móviles, que no haya piezas rotas, el montaje de las piezas y cualquier otra condición que pudiera afectar su funcionamiento. Toda protección o pieza que esté dañada debe repararse apropiadamente o reemplazarse en un centro de servicio autorizado.** Con el cumplimiento de esta regla se reduce el riesgo de una descarga eléctrica, incendio o lesión grave.
- **Asegúrese de que esté en buen estado el cordón de extensión. Al utilizar un cordón de extensión, utilice uno del suficiente calibre para soportar la corriente que consume el producto. Se recomienda que los conductores sean de calibre 16 (A.W.G.) por lo menos, para un cordón de extensión de 15 m (50 pies) de largo o menos. No se recomienda utilizar un cordón con más de 30 m (100 pies) de largo. Si tiene dudas, utilice un cordón del calibre más grueso siguiente. Cuanto menor es el número de calibre, mayor es el grueso del cordón.** Un cordón de un calibre insuficiente causa una caída en el voltaje de línea, y produce recalentamiento y pérdida de potencia.
- **Inspeccione la madera y elimine todos los clavos presentes en la misma antes de usar esta herramienta.** Con el cumplimiento de esta regla se reduce el riesgo de lesiones serias.
- **Guarde estas instrucciones.** Consúltelas con frecuencia y empléelas para instruir a otras personas que puedan utilizar esta herramienta. Si presta a alguien esta herramienta, facilítele también las instrucciones.

SÍMBOLOS

Las siguientes palabras de señalización y sus significados tienen el objeto de explicar los niveles de riesgo relacionados con este producto.

SÍMBOLO	SEÑAL	SIGNIFICADO
	PELIGRO:	Indica una situación peligrosa, la cual, si no se evita, causará la muerte o lesiones serias.
	ADVERTENCIA:	Indica una situación peligrosa, la cual, si no se evita, podría causar la muerte o lesiones serias.
	PRECAUCIÓN:	Indica una situación peligrosa, la cual, si no se evita, podría causar lesiones menores o leves.
	AVISO:	(Sin el símbolo de alerta de seguridad) Indica la información que se considera importante, pero no relacionada con lesiones potenciales (por ej. en relación a daños a la propiedad).

Es posible que se empleen en este producto algunos de los siguientes símbolos. Le suplicamos estudiarlos y aprender su significado. Una correcta interpretación de estos símbolos le permitirá utilizar mejor y de manera más segura el producto.

SÍMBOLO	NOMBRE	DENOMINACIÓN/EXPLICACIÓN
	Alerta de seguridad	Indica un peligro posible de lesiones personales.
	Lea el manual del operador	Para reducir el riesgo de lesiones, el usuario debe leer y comprender el manual del operador antes de usar este producto.
	Protección ocular	Siempre póngase la protección ocular con protección lateral marcada conforme al ANSI Z87.1.
	Alerta de condiciones húmedas	No exponga la unidad a la lluvia ni la use en lugares húmedos.
V	Volts	Voltaje
A	Amperes	Corriente
Hz	Hertz	Frecuencia (ciclos por segundo)
min	Minutos	Tiempo
~	Corriente alterna	Tipo de corriente
n ₀	Velocidad en vacío	Velocidad de rotación, en vacío
	Fabricación Clase II	Fabricación con doble aislamiento
.../min	Por minuto	Revoluciones, carreras, velocidad superficial, órbitas, etc., por minuto

ASPECTOS ELÉCTRICOS

DOBLE AISLAMIENTO

El doble aislamiento es una característica de seguridad de las herramientas eléctricas, la cual elimina la necesidad de usar el típico cordón eléctrico de tres conductores con conexión a tierra. Todas las partes metálicas expuestas están aisladas de los componentes metálicos internos del motor por medio de aislamiento de protección. No es necesario conectar a tierra las herramientas con doble aislamiento.



ADVERTENCIA

El sistema de doble aislamiento está destinado a proteger al usuario contra las descargas eléctricas resultantes de la ruptura del aislamiento interno de la herramienta. Observe todas las precauciones de seguridad para evitar descargas eléctricas.

NOTA: El mantenimiento de una herramienta con doble aislamiento requiere sumo cuidado y conocimiento del sistema, y únicamente deben realizarlo técnicos de servicio calificados. Para el servicio de la herramienta, le sugerimos llevarla al centro de servicio autorizado más cercano para toda reparación. Siempre utilice piezas de repuesto de la fábrica original al dar servicio a la unidad.

CONEXIÓN ELÉCTRICA

Esta herramienta dispone de un motor eléctrico fabricado con precisión. Debe conectarse únicamente a una **línea de voltaje de 120 Volts, de corriente alterna solamente (corriente normal para uso doméstico), 60 Hertz**. No utilice esta herramienta con corriente continua (CC). Una caída considerable de voltaje causa una pérdida de potencia y el recalentamiento del motor. Si la herramienta no funciona al conectarla en una toma de corriente, vuelva a verificar el suministro de voltaje.

CORDONES DE EXTENSIÓN

Al utilizar una herramienta eléctrica a una distancia considerable de la fuente de voltaje, asegúrese de utilizar un cordón de extensión con la suficiente capacidad para soportar la corriente de consumo de la herramienta. Un cordón de un calibre insuficiente causa una caída en el voltaje de línea, la cual a su vez produce recalentamiento y pérdida de potencia. Báse en la tabla suministrada para determinar el grueso mínimo requerido del cordón de extensión. Solamente deben utilizarse cordones con forro redondo registrados en Underwriter's Laboratories (UL).

Al trabajar a la intemperie con una herramienta, utilice un cordón de extensión fabricado para uso en el exterior. Este tipo de cordón lleva las letras "WA" o "W" en el forro.

Antes de utilizar un cordón de extensión, inspecciónelo para ver si tiene conductores flojos o expuestos y aislamiento cortado o gastado.

**Amperaje (aparece en la placa de datos)

Longitud del cordón	Calibre conductores (A.W.G.)					
	0-2,0	2,1-3,4	3,5-5,0	5,1-7,0	7,1-12,0	12,1-16,0
25'	16	16	16	16	14	14
50'	16	16	16	14	14	12
100'	16	16	14	12	10	—

**Se usa en los circuitos de calibre 12, de 20 amperes.

NOTA: AWG = American Wire Gauge



ADVERTENCIA

Mantenga el cordón de extensión fuera del área de trabajo. Al trabajar con una herramienta eléctrica, coloque el cordón de tal manera que no pueda enredarse en la madera, herramientas ni en otras obstrucciones. La inobservancia de esta advertencia puede causar lesiones serias.



ADVERTENCIA

Inspeccione los cordones de extensión cada vez antes de usarlos. Si están dañados reemplácelos de inmediato. Nunca utilice la herramienta con un cordón dañado, ya que si toca la parte dañada puede producirse una descarga eléctrica, y las consecuentes lesiones serias.

CARACTERÍSTICAS

ESPECIFICACIONES

Profundidad máxima de cepillado..... (3 mm) 1/8 pulg.

Anchura máxima de cepillado..... (83 mm) 3-1/4 pulg.

Profundidad máxima de rebajado (12,7 mm) 1/2 pulg.

Velocidad sin Carga..... 16 500 rev./min.

Corriente de entrada 120 V, sólo corr. alt., 6 A, 60 Hz

ARMADO

ADVERTENCIA:

No use este producto si no está totalmente ensamblado o si alguna pieza falta o está dañada. El uso de un producto que no está adecuadamente y completamente ensamblado o posee partes dañadas o faltantes puede resultar en lesiones personales graves.

ADVERTENCIA:

No intente modificar este producto ni crear aditamentos o accesorios que no estén recomendados para usar con este producto. Dichas alteraciones o modificaciones constituyen un uso indebido y podrían provocar una situación de riesgo que cause posibles lesiones personales graves.

Si hay piezas dañadas o faltantes, le suplicamos llamar al 1-800-525-2579, donde le brindaremos asistencia.

FUNCIONAMIENTO

ADVERTENCIA:

No permita que su familiarización con las herramientas lo vuelva descuidado. Tenga presente que un descuido de un instante es suficiente para causar una lesión grave.

ADVERTENCIA:

Siempre póngase protección ocular con protección lateral con la marca de cumplimiento de la norma ANSI Z87.1. Si no cumple esta advertencia, los objetos que salen despedidos pueden producirle lesiones serias en los ojos.

ADVERTENCIA:

No utilice ningún aditamento o accesorio no recomendado por el fabricante de este producto. El empleo de aditamentos o accesorios no recomendados podría causar lesiones serias.

USOS

Esta herramienta puede emplearse para los fines enumerados abajo:

- Cepillar la superficie de una puerta de madera o anaquel
- Cepillar los cantos de una pieza de madera
- Efectuar rebajos en madera

MONTAJE DEL SACO CAPTAPOLVO

Vea la figura 1, página 11.

- Desconecte el cepillo.
- Con un movimiento de deslizamiento monte el saco captapolvo en el escape de salida de desechos.

NOTA: Para desmontar el saco captapolvo, tire del mismo para extraerlo del escape de salida de desechos.

AVISO:

El saco captapolvo se llena rápidamente. Vacíelo con frecuencia para evitar dañar el producto.

AJUSTE DE LA DIRECCIÓN DEL ESCAPE DE SALIDA DE DESECHOS

Vea la figura 2, página 11.

ADVERTENCIA:

El polvo acumulado al cepillar recubrimientos en superficies, como poliuretanos, aceite de linasa, etc., pueden inflamarse en la bolsa para polvo del cepillo o algún otro lugar, y provocar un incendio. Para evitar riesgos de incendio, siempre vacíe la bolsa para polvo con frecuencia al cepillar. **NUNCA** guarde ni abandone el cepillo sin vaciar la bolsa para polvo. También siga las recomendaciones de los fabricantes de acabados.

Cambie la dirección del escape de salida de desechos ya sea hacia la derecha o hacia la izquierda. Al trabajar en áreas confinadas controle la dirección de salida de desechos.

Para ajustar la dirección del escape y el saco captapolvo:

- Desconecte el cepillo.
- **Para ajustar el escape hacia la derecha:** Mueva la perilla de dirección del escape de manera que la flecha apunte hacia la derecha (el mango apuntará a la izquierda). Instale la bolsa para polvo en el puerto derecho del escape.
- **Para ajustar el escape hacia la izquierda:** Mueva la perilla de dirección del escape de manera que la flecha apunte hacia la izquierda (el mango apuntará a la derecha). Instale la bolsa para polvo en el puerto izquierdo del escape.

PROFUNDIDAD DE CEPILLADO

Vea la figura 3, página 11.

Cuando usted comienza a cepillar una pieza de material sin cepillar, al principio el cepillo sólo elimina las partes más elevadas. Mediante pasadas sucesivas se elimina gradualmente más material. Eliminando no más de 1/64 pulg. (0,4 mm) en cada pasada se logra el acabado más liso, incluso en las piezas más ásperas.

Siempre comience efectuando pruebas en madera de desecho para asegurarse de que el cepillo esté eliminando la cantidad deseada de madera.

Para fijar la profundidad de cepillado:

- Desconecte el cepillo.
- Gire a la derecha la perilla de ajuste de profundidad para alcanzar la máxima profundidad de corte.

NOTA: Para proteger las hojas durante el almacenamiento, transporte, etc., gire la perilla de ajuste de profundidad hacia la izquierda hasta la posición **P** para fijar la hoja.

ENCENDIDO Y APAGADO DEL CEPILLO

Vea la figura 4, página 12.

- **Para encender el cepillo:** Oprima el botón del seguro de apagado y después oprima el gatillo del interruptor.
- **Para apagar el cepillo:** Suelte el gatillo del interruptor.

UTILIZACIÓN DEL CEPILLO

- Fije firmemente con prensas la pieza de trabajo.
- Fije la pieza de trabajo de manera que la operación le quede a la derecha.

ADVERTENCIA:

Si la pieza de trabajo se mueve durante el cepillado puede producirse una pérdida de control del cepillo, y por consecuencia lesiones serias.

- Sujete el cepillo firmemente con ambas manos. Sujete la perilla de ajuste de profundidad con la mano izquierda y el mango trasero con la mano derecha.
- Cepille lentamente y vacíe con frecuencia el saco captapolvo.

FUNCIONAMIENTO

AVISO:

Si se cepilla con demasiada rapidez se produce un acabado deficiente y se aumenta la acumulación de virutas en el escape de salida de desechos. La acumulación de virutas limita el flujo de aire y puede causar el recalentamiento del motor.

⚠️ ADVERTENCIA:

Si está obstruido el escape de salida de desechos, no intente despejarlo hasta que se detengan las cuchillas y usted haya desconectado la herramienta del suministro de voltaje. La inobservancia de esta advertencia puede causar lesiones corporales serias.

⚠️ ADVERTENCIA:

Mantenga el cordón eléctrico alejado del área de trabajo y cuchillas. No permita que el cordón se enganche en la pieza de trabajo durante el cepillado. Si utiliza el cepillo con el cordón dañado puede producirse una descarga eléctrica, y posibles lesiones serias.

SOPORTE PROTECTOR

Vea la figura 5, página 12.

El cepillo está equipado de un soporte protector automático de pivote que impide a las cuchillas tocar el banco de trabajo cuando no está en uso. Al iniciarse la operación de cepillado, el soporte protector se retrae automáticamente al pasar por el borde de la pieza de trabajo. Al depositarse el cepillo en el banco de trabajo, el soporte protector se voltea hacia abajo automáticamente para impedir a la cuchilla tocar cualquier objeto.

⚠️ ADVERTENCIA:

Asegúrese de que el soporte protector funcione con libertad en todo momento y de que el área alrededor del mismo esté siempre libre de desechos. La inobservancia de esta advertencia puede causar lesiones corporales serias.

CEPILLADO

Vea la figura 6, página 12.

- Fije firmemente con prensas la pieza de trabajo.
- Ajuste la profundidad de cepillado. Consulte el apartado **Profundidad de cepillado**, más arriba en este manual.
- Sujete la perilla de ajuste de profundidad con la mano izquierda y el mango trasero con la mano derecha.

⚠️ ADVERTENCIA:

Siempre sujete la herramienta con ambas manos para cualquier operación; de esta manera se asegura de mantener el control y evita el riesgo de lesiones corporales serias. Siempre coloque la pieza de trabajo sobre un soporte adecuado y fíjela firmemente con prensas de manera que tenga ambas manos libres para controlar el cepillo. Nunca use la herramienta en áreas elevadas o de forma invertida de la posición de funcionamiento adecuada, puede causar lesiones personales graves.

- Coloque la zapata delantera sobre el canto de la pieza de trabajo que va a cepillar.
NOTA: Asegúrese de que las cuchillas no estén tocando la pieza de trabajo.
- Aplique presión al perilla de ajuste de profundidad de manera que la zapata delantera quede completamente plana sobre la pieza de trabajo.
- Arranque el cepillo y permita al motor alcanzar su velocidad máxima.
- Sujete firmemente el cepillo y empújelo hacia adelante sobre la pieza de trabajo, con un movimiento lento y estable.
- Aplique presión hacia abajo, en la dirección del mango trasero, a medida que alcanza el extremo del tramo por cepillar. Esto ayuda a mantener la sección trasera de la base del cepillo en contacto con la pieza de trabajo y se evita que la parte delantera del cepillo deje marcas en la madera cepillada.

⚠️ ADVERTENCIA:

Tenga cuidado de evitar tocar los clavos de la madera durante la operación de cepillado; esta acción puede mellar, agrietar o dañar las cuchillas.

NOTA: Le sugerimos mantener siempre a la mano un juego extra de cuchillas. Tan pronto como las cuchillas del cepillo muestren señales de estar desafiladas, cámbielas. Las cuchillas son invertibles y pueden invertirse hasta que se desafilen ambos lados.

ACHAFLANADO

Vea la figura 7, página 12.

El cepillo está diseñado con una ranura de achaflanar en la zapata delantera para achaflanar los cantos de las tablas, como se muestra. Antes de proceder a cepillar una pieza buena de madera, practique con madera de desperdicio para determinar la cantidad de madera por eliminar.

- Fije firmemente con prensas la pieza de trabajo.
- Sujete la perilla de ajuste de profundidad con la mano izquierda y el mango trasero con la mano derecha.
- Coloque la ranura de achaflanar en la superficie por cepillar.
- Arranque el cepillo y permita al motor alcanzar su velocidad máxima.
- Sujete firmemente el cepillo y empújelo hacia adelante sobre la pieza de trabajo, con un movimiento lento y estable.

FUNCIONAMIENTO

- Aplique presión hacia abajo para mantener horizontal el cepillo del inicio al final de la superficie de trabajo.

CEPILLADO Y REBAJADO DE CANTOS

El cepillo viene con una guía ajustable para el cepillado y rebajado de cantos de precisión. Para cepillar cantos fije la guía en cualquiera de los dos lados del cepillo, y para efectuar rebajos fíjela en el lado izquierdo.

MONTAJE DE LA GUÍA PARA CEPILLAR CANTOS

Vea la figura 8, página 12.

- Desconecte el cepillo.
- Fije el soporte en el lado deseado del cepillo con la tornillo de la perilla.
- Fije la guía en el soporte con la tuerca de la perilla y el perno de cuello cuadrado.
- Apriete firmemente la tuerca de la perilla.

CEPILLADO DE CANTOS

Vea la figura 9, página 12.

Siga las instrucciones señaladas en el apartado **Cepillado**, más arriba en este manual. Mantenga la guía firmemente contra el canto de la superficie de trabajo.

MONTAJE DE LA GUÍA PARA EFECTUAR REBAJOS

Vea la figura 8, página 12.

- Desconecte el cepillo.
- Fije el soporte en el lado izquierdo del cepillo con la tornillo de la perilla.
- Fije la guía holgadamente en el soporte con la tuerca de la perilla y el perno de cuello cuadrado (no apriete).
- Ajuste la guía al ancho deseado para el rebajo.
- Apriete firmemente la tuerca de la perilla.

REBAJADO DE CANTOS

Vea la figura 10, página 12.

Siga las instrucciones señaladas en el apartado **Cepillado**, más arriba en este manual. Mantenga la guía firmemente contra el canto de la superficie de trabajo.

La profundidad de los rebajos se determina por la profundidad del corte y el número de pasadas efectuadas a lo largo de la superficie de trabajo. La profundidad máxima de los cortes de rebajo es 12,7 mm (1/2 pulg.) y debe lograrse en pasadas graduales de 3,2 mm (1/8 pulg.) o menos hasta alcanzar la profundidad deseada. La anchura del corte de rebajo se ajusta moviendo la guía de cantos.

MANTENIMIENTO

ADVERTENCIA:

Al dar servicio a la unidad, sólo utilice piezas de repuesto idénticas. El empleo de piezas diferentes puede presentar un peligro o causar daños al producto.

ADVERTENCIA:

Siempre póngase protección ocular con protección lateral con la marca de cumplimiento de la norma ANSI Z87.1. Si no cumple esta advertencia, los objetos que salen despedidos pueden producirle lesiones serias en los ojos.

MANTENIMIENTO GENERAL

Evite el empleo de solventes al limpiar piezas de plástico. La mayoría de los plásticos son susceptibles a diferentes tipos de solventes comerciales y pueden resultar dañados. Utilice paños limpios para eliminar la suciedad, el polvo, el aceite, la grasa, etc.

ADVERTENCIA:

No permita en ningún momento que fluidos para frenos, gasolina, productos a base de petróleo, aceites penetrantes, etc., lleguen a tocar las piezas de plástico. Las sustancias químicas pueden dañar, debilitar o destruir el plástico, lo cual a su vez puede producir lesiones corporales serias.

Las herramientas eléctricas que se utilizan en materiales de fibra de vidrio, paneles de yeso para paredes, compuestos de resana o yeso, están sujetas a desgaste acelerado y posible fallo prematuro porque las partículas y limaduras de fibra de vidrio son altamente abrasivas para los cojinetes, escobillas, conmutadores, etc. Por consiguiente, no recomendamos el uso de esta herramienta durante períodos prolongados de trabajo en estos tipos de materiales. Sin embargo, si usted trabaja con cualquiera de estos materiales, es sumamente importante limpiar la herramienta con aire comprimido.

LUBRICACIÓN

Todos los cojinetes de esta herramienta están lubricados con suficiente cantidad de aceite de alta calidad para toda la vida útil de la unidad en condiciones normales de funcionamiento. Por lo tanto, no se necesita lubricación adicional.

REEMPLAZO DEL CORDÓN DE CORRIENTE

Un centro de servicio autorizado deben cambiar el cordón de corriente, en caso de que sea necesario, para evitar peligros.

LIMPIEZA DEL ESCAPE DE SALIDA DE DESECHOS Y VACIADO DEL SACO CAPTAPOLVO

Vea la figura 11, página 12.

Después de utilizar el cepillo durante un período prolongado de tiempo, o al cepillar madera húmeda o recién cortada,

MANTENIMIENTO

pueden acumularse virutas en el escape de salida de desechos y requiere limpieza. La acumulación de virutas limita el flujo de aire y causa el recalentamiento del motor. Limpie el escape y vacíe el saco captapolvo con regularidad.

- Desconecte el cepillo.
- Retire del escape el saco captapolvo.
- Con un trozo de madera pequeño limpie los desechos y polvo acumulados en el escape. No use directamente las manos ni los dedos.
- Vacíe todos los desechos del saco captapolvo y asegúrese de que esté limpio de desechos el collar.
- Vuelva a instalar el saco captapolvo.

CAMBIO DE LAS CUCHILLAS

Veá las figuras 12 a 14, página 13.

Las cuchillas del cepillo son invertibles. Cuando se desafilan un filo, la cuchilla puede invertirse para utilizar el otro lado.

Siempre cambie o invierta en pares las cuchillas. No intente afilar las cuchillas. Si las cuchillas del cepillo muestran señales de estar desafiladas, melladas o dañadas de cualquier forma, reemplácelas.

Al cambiar las cuchillas sólo utilice la cuchilla de repuesto recomendada, la pieza número 039821001057 de RYOBI.

ADVERTENCIA:

Utilice siempre guantes de cuero pesados y tenga cuidado cuando afloje los tornillos de la hoja y manipule y/o cambie las hojas. Las hojas son filosas y pueden provocar lesiones personales graves.

- Desconecte el cepillo.
- Asegure el cepillo cabeza abajo.
- Afloje los tres tornillos que fijan la hoja en el porta hojas girando hacia la izquierda con la llave de hojas provista.

NOTA: No afloje excesivamente los tornillos. Si están demasiado flojos los tornillos, no quedan alineadas con precisión las nuevas cuchillas.

NOTA: Antes de retirar las cuchillas viejas, observe la dirección del corte así como la manera en que está orientado el borde afilado de las mismas. El borde afilado de las nuevas cuchillas debe quedar con la misma orientación que tenían las cuchillas viejas, con el borde afilado en el mismo lado donde están las cabezas de los tornillos y con el borde plano de cara al portacuchillas.

- Presione la protección de la hoja cargada a resorte.
- Poussez le support de lame vers l'extérieur de la tête porte-lame en utilisant la pointe d'un tournevis.
- Retire la hoja vieja del porta hojas deslizando la hoja hacia afuera.
NOTA: Si no puede empujar con facilidad la cuchilla hacia afuera del portacuchillas después de aflojar los tornillos de fijación de la cuchilla, con un bloque de madera afloje del portacuchillas la cuchilla dándole un golpe corto firme. Después empuje la cuchilla con un destornillador para retirarla. Si es necesario, golpee sólidamente el bloque de madera con un martillo pequeño para aflojar la cuchilla.
- Limpie todo el aserrín y las virutas de madera presentes alrededor de las cuchillas.
- Con un movimiento de deslizamiento introduzca la nueva cuchilla en la ranura del portacuchillas.
- Con un destornillador empuje la cuchilla hacia adentro del portacuchillas hasta que quede centrada en su lugar.
- Presione la protección de la hoja cargada a resorte.
- Insert the blade holder into the cutter block assembly.
- Apriete los tres tornillos de fijación con la llave de las cuchillas.
- Con la otra cuchilla repita el procedimiento descrito arriba.

CAMBIO DE LA CORREA

Veá las figuras 15 y 16, página 13.

Al cambiar la correa, sólo utilice la correa de repuesto recomendada, la pieza número 039821001042 de RYOBI.

- Desconecte el cepillo.
- Retire los tornillos de la cubierta de la correa.
- Retire la cubierta de la correa.
- Fuerce la correa vieja a salir de la polea pequeña; para ello, desplácela en la dirección mostrada. A medida que impulsa la correa, tire de la misma y extráigala de la polea pequeña hasta sacarla completamente de ambas poleas.
- Instale la nueva correa en la polea grande. A medida que impulsa la correa, empújela y móntela en la polea pequeña hasta dejarla completamente montada en su lugar.
- Vuelva a colocar la cubierta de la correa.
- Coloque los tornillos de la cubierta de la correa.

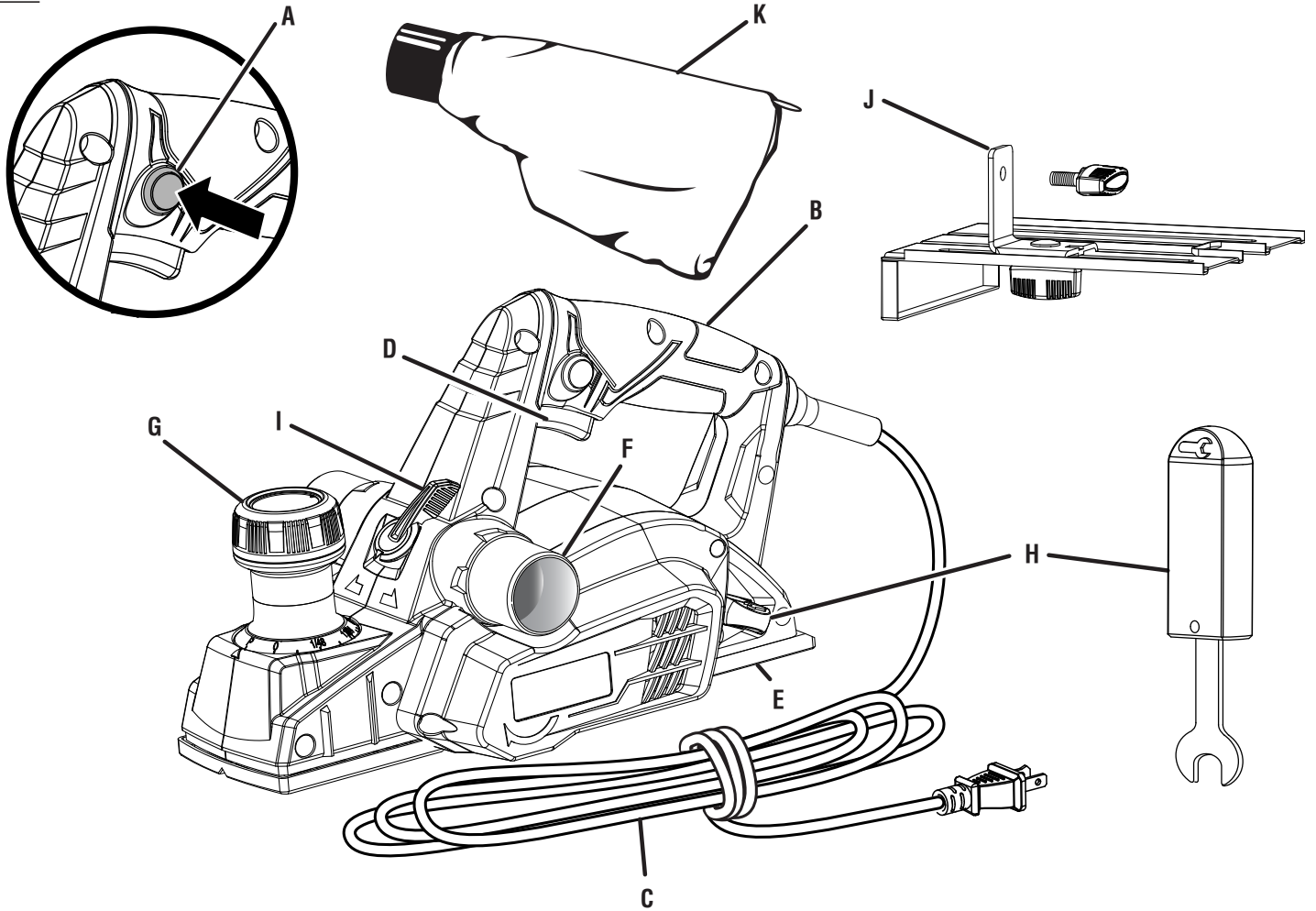
NOTA: No apriete excesivamente los tornillos.

ACCESORIOS

Busque estos accesorios donde adquirió este producto o llame al 1-800-525-2579.

Hojas para cepillo eléctrico 039821001057
Cinturón..... 039821001042

HPL52

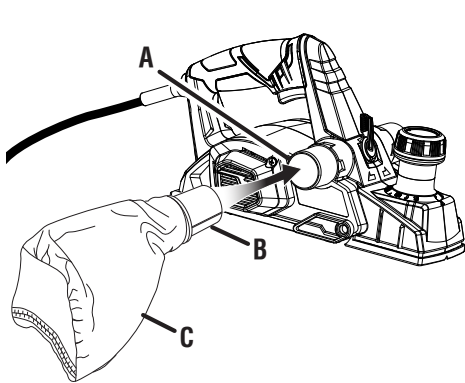


- A - Lock-off button (bouton de verrouillage, botón del seguro de apagado)
- B - Rear handle (poignée arrière, mango posterior)
- C - Power cord (cordon d'alimentation, cordón eléctrico)
- D - Switch trigger (gâchette, gatillo del interruptor)
- E - Kickstand (béquille, soporte protector)

- F - Exhaust port (orifice d'échappement, escape de salida de desechos)
- G - Depth adjustment knob/front handle (bouton de réglage de profondeur / poignée avant, perilla de ajuste de profundidad/mango delantero)
- H - Blade wrench (clé à lame, llave de las cuchillas)

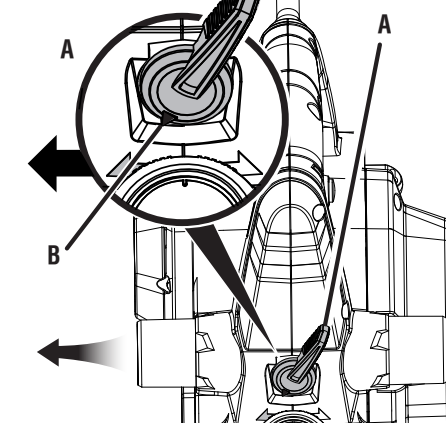
- I - Exhaust direction dial (réglage d'orientation d'évacuation, perilla de dirección del escape)
- J - Edge guide/rabbit guide (guide de chant / guide de feuillure, guía para cepillado y rebajado de cantos)
- K - Dust bag (sac à poussière, sacco captapolvero)

Fig. 1



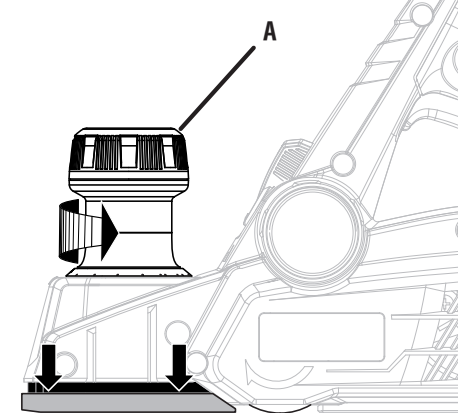
- A - Exhaust port (orifice d'évacuation, escape de salida de desechos)
- B - Collar (collier, collar)
- C - Dust bag (sac à poussière, sacco captapolvero)

Fig. 2



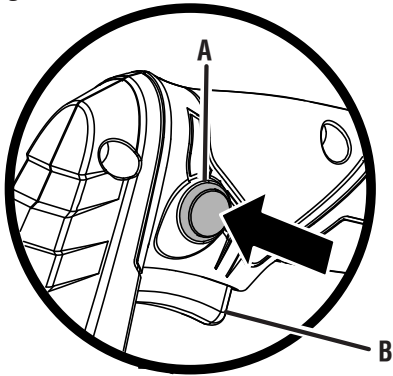
- A - Exhaust direction dial (réglage d'orientation d'évacuation, perilla de dirección del escape)
- B - Directional arrow (flèche de direction, flecha direccional)

Fig. 3



- A - Depth adjustment knob (bouton de réglage de profondeur, perilla de ajuste de profundidad)

Fig. 4



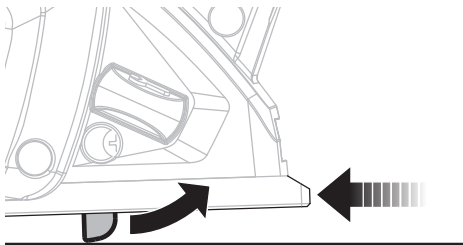
A - Lock-off button (bouton de verrouillage, botón del seguro de apagado)
 B - Switch trigger (gâchette, gatillo del interruptor)

Fig. 5

THE KICKSTAND PIVOTS DOWN WHEN THE PLANER IS NOT IN USE

LA BÉQUILLE PIVOTE VERS LE BAS LORSQUE LA RABOTEUSE N'EST PAS EN FONCTIONNEMENT

EL SOPORTE PROTECTOR SE VOLTEA HACIA ABAJO CUANDO NO ESTÁ UTILIZÁNDOSE EL CEPILLO



THE KICKSTAND RETRACTS WHEN THE PLANER IS IN USE

LA BÉQUILLE SE RÉTRACTE LORSQUE LA RABOTEUSE EST EN FONCTIONNEMENT

EL SOPORTE PROTECTOR SE RETRAE CUANDO ESTÁ UTILIZÁNDOSE EL CEPILLO

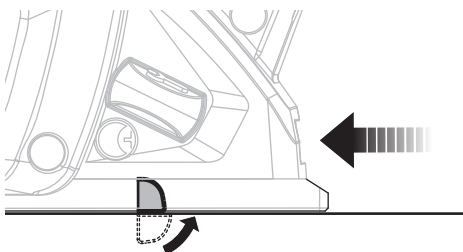
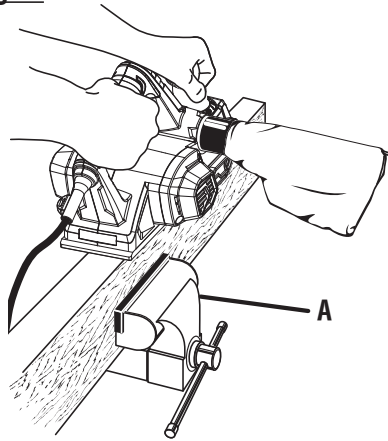


Fig. 6



A - Clamp (bride, abrazadera)

Fig. 7

CHAMFERING CORNERS
CHANFREINER LE BORD DES COINS
ACHAFLANAR LOS ESQUINAS DE LAS TABLAS

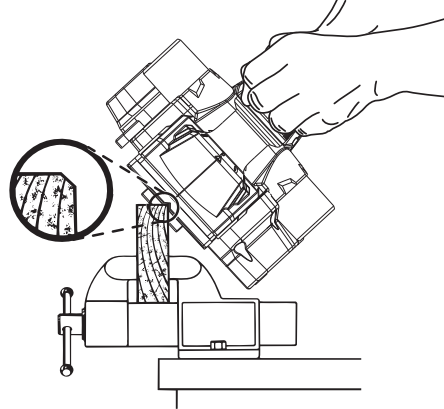
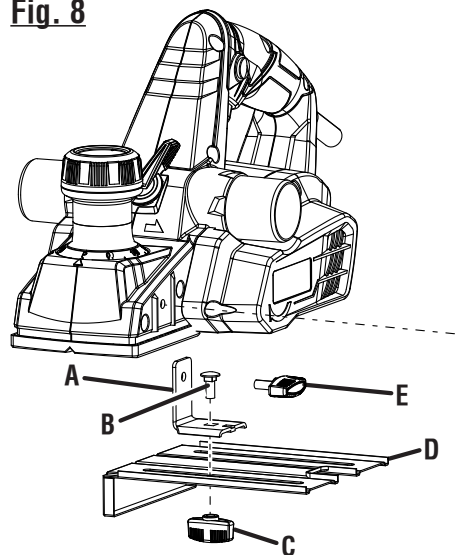


Fig. 8



A - Bracket (support, soporte)
 B - Carriage head bolt (boulon traversant, perno de cuello cuadrado)
 C - Knob nut (écrou à bouton, tuerca de la perilla)
 D - Edge guide (guide, guía)
 E - Knob bolt (boulon à bouton, tornillo de la perilla)

Fig. 9

PLANING EDGES
RABOTAGE DE CHANTS
CEPILLADO DE CANTOS

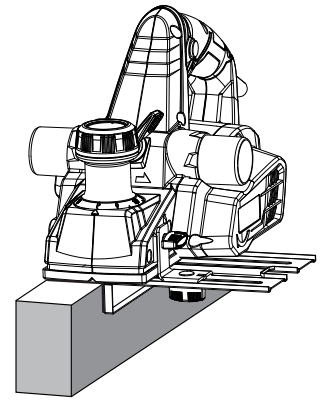


Fig. 10

MAKING RABBET CUTS
FEUILLURES
REBAJADO DE CANTOS

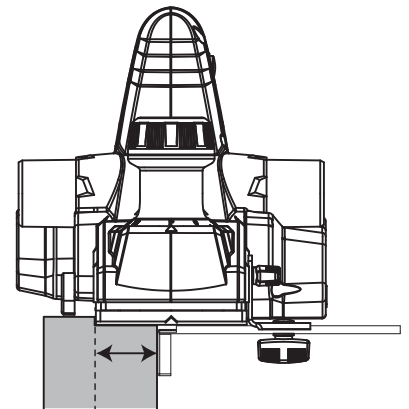


Fig. 11

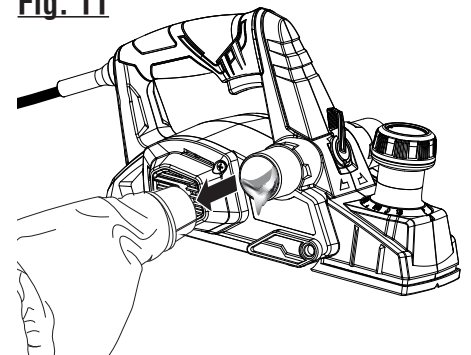
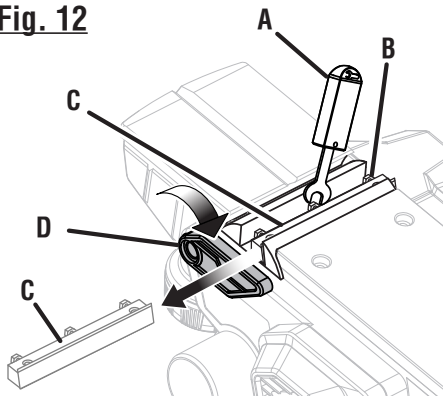
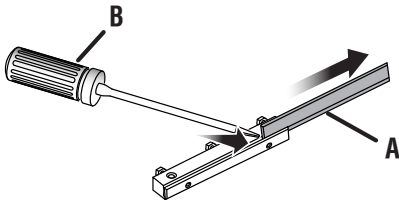


Fig. 12



- A - Blade wrench (clé à lame, llave de las cuchillas)
B - Screw (vis, tornillo)
C - Blade holder (support de lame, portacuchillas)
D - Spring-loaded blade guard (le protège-lame à ressort, la protección de la hoja cargada a resorte)
E - Loosen (desserrer, para aflojar)
F - Tighten (serrer, apriete)

Fig. 13



- A - Blade (lame, cuchilla)
B - Screwdriver (tournevis, destornillador)

Fig. 14

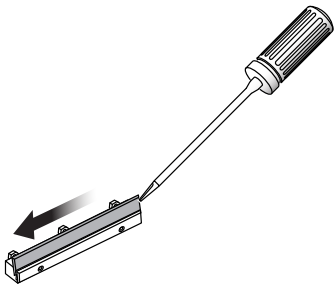
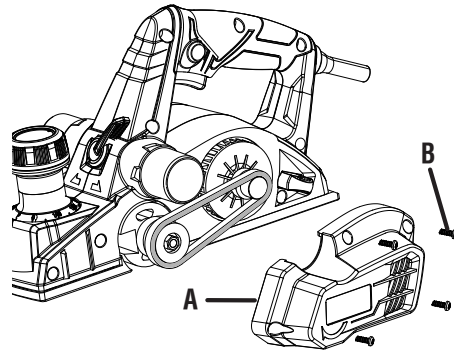
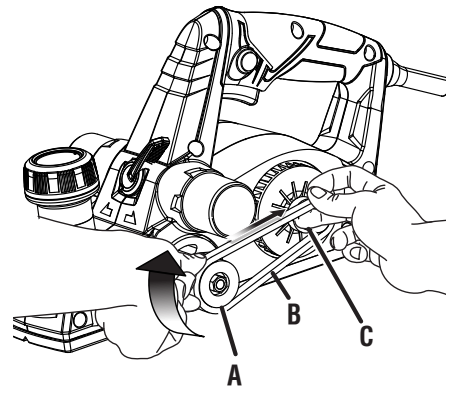


Fig. 15



- A - Belt cover (carter de courroie, cubierta de la correa)
B - Screw (vis, tornillo)

Fig. 16



- A - Large pulley (grande poulie, polea grande)
B - Belt (courroie, correa)
C - Small pulley (petite poulie, polea pequeña)



OPERATOR'S MANUAL / POWER PLANER
MANUEL D'UTILISATION / RABOTEUSE ÉLECTRIQUE
MANUAL DEL OPERADOR / CEPILLO ELÉCTRICO
HPL52

To request service, purchase replacement parts,
locate an Authorized Service Center and obtain Customer or Technical Support:

Visit **www.ryobitools.com** or call **1-800-525-2579**

If any parts or accessories are damaged or missing,
do not return this product to the store. Call **1-800-525-2579** for immediate service.

Please obtain your model and serial number from the product data plate.

This product is covered under a 3-year limited Warranty. Proof of purchase is required.

MODEL NUMBER _____ SERIAL NUMBER _____

RYOBI is a registered trademark of Ryobi Limited and is used pursuant to a license granted by Ryobi Limited.

Pour faire une demande de réparations ou obtenir des pièces de rechange, trouver un
Centre de réparations agréé pour obtenir un soutien technique ou le Service à la clientèle :

Visiter **www.ryobitools.com** ou en téléphonant au **1-800-525-2579**

Si des pièces ou accessoires sont manquantes ou endommagées, ne pas retourner
ce produit au magasin. Appeler immédiatement au **1-800-525-2579** pour obtenir de l'aide.

Inscrire les numéros de modèle et de série inscrits sur la plaque d'identification du produit.

Ce produit est couvert par une garantie limitée de trois (3) ans. Une preuve d'achat est exigée.

NUMÉRO DE MODÈLE _____ NUMÉRO DE SÉRIE _____

RYOBI est une marque déposée de Ryobi Limited et est utilisée en vertu d'une licence accordée par Ryobi Limited.

Para obtener servicio, comprar piezas de repuesto, localizar un centro de servicio autorizado
y obtener Servicio o Asistencia Técnica al Consumidor:

Visite **www.ryobitools.com** o llame al **1-800-525-2579**

Si hay alguna pieza ou accesorios dañada o faltante, no devuelva este producto a la tienda.
Llame al **1-800-525-2579** para servicio técnico inmediato.

Obtenga su modelo y número de serie de la placa de datos del producto.

Este producto está cubierto con una garantía limitada de 3 años. Se solicita prueba de la compra.

NÚMERO DE MODELO _____ NÚMERO DE SERIE _____

RYOBI es una marca registrada de Ryobi Limited y se utiliza conforme a una licencia otorgada por Ryobi Limited.

ONE WORLD TECHNOLOGIES, INC.

P.O. Box 1288, Anderson, SC 29622 • Phone 1-800-525-2579

États-Unis, Téléphone 1-800-525-2579 • USA, Teléfono 1-800-525-2579

www.ryobitools.com