

OPERATOR'S MANUAL MANUEL D'UTILISATION MANUAL DEL OPERADOR

SECURITY CAMERA ACCESSORY FOR RYOBI GARAGE DOOR OPENERS

ACCESSOIRE DE CAMÉRA DE SÉCURITÉ
POUR OUVRE-PORTE DE GARAGE DE RYOBI

ACCESORIO DE CÁMARA DE SEGURIDAD
PARA EL SISTEMA DE APERTURA PARA PORTÓN DE GARAJE DE RYOBI

GDM610

SAFETY RULES FOR SECURITY CAMERA

⚠ WARNING:

To reduce the risk of injury, do not attempt to use this product until you have read thoroughly and understand completely this operator's manual and the operator's manual for your RYOBI garage door opener. Ensure compatibility and fit before using this accessory. Do not use this accessory if a part is damaged or missing.

- Do not overreach. Keep proper footing and balance at all times. Proper footing and balance enable better control of the accessory in unexpected situations.
- Do not use the accessory if the indoor keypad or smartphone app does not turn it on or off. A accessory that cannot be controlled with the keypad or app is dangerous and must be repaired.
- Deactivate accessory ports before making adjustments, cleaning, or changing accessories. Such preventive safety measures reduce the risk of starting the accessory accidentally.
- Keep the accessory dry, clean and free from oil and grease. Always use a clean cloth when cleaning. Never use brake fluids, gasoline, petroleum-based products, or any strong solvents to clean your accessory. Following this rule will reduce the risk of loss of control and deterioration of the enclosure plastic.
- Clean only with dry cloth.
- Do not operate near any heat sources such as radiators, heat registers, stoves, or other apparatus (including amplifiers) that produce heat.
- Save these instructions. Refer to them frequently and use them to instruct others who may use this tool. If you loan someone this tool, loan them these instructions also to prevent misuse of the product and possible injury.

SYMBOLS

The following signal words and meanings are intended to explain the levels of risk associated with this product.

SYMBOL	SIGNAL	MEANING
	DANGER:	Indicates a hazardous situation, which, if not avoided, will result in death or serious injury.
	WARNING:	Indicates a hazardous situation, which, if not avoided, could result in death or serious injury.
	CAUTION:	Indicates a hazardous situation, that, if not avoided, may result in minor or moderate injury.
	NOTICE:	(Without Safety Alert Symbol) Indicates information considered important, but not related to a potential injury (e.g. messages relating to property damage).

Some of the following symbols may be used on this product. Please study them and learn their meaning. Proper interpretation of these symbols will allow you to operate the product better and safer.

SYMBOL	NAME	DESIGNATION/EXPLANATION
	Safety Alert	Indicates a potential personal injury hazard.
	Read Operator's Manual	To reduce the risk of injury, user must read and understand operator's manual before using this product.
	Electrocution/Electric Shock	Do not touch electrical connections, do not install with wet hands, and keep accessory away from water to reduce the risk of electrocution or electric shock.
	A Wi-Fi router connected to the internet in your home is required to use the app.	You will not be able to open your garage door or receive other information from the accessories using the Ryobi Garage Door Opener Accessory System App, including your Security Camera Accessory, if your home's Wi-Fi connection with your garage door opener is not connected or functioning properly.

ONE WORLD TECHNOLOGIES, INC.

1428 Pearman Dairy Road, Anderson, SC 29625 • Phone 1-877-205-5714
États-Unis, Téléphone 1-877-205-5714 • USA, Teléfono 1-877-205-5714

www.ryobitools.com

FEATURES

PRODUCT SPECIFICATIONS:

Lens Field of View: 100°
MicroSD Card: 16GB
Expected Video Recording Time with 16GB MicroSD Card: approximately 30 Hours
Communication Encryption Method: openssl/wolfssl

KNOW YOUR SECURITY CAMERA

See Figure 1.

The safe use of this product requires an understanding of the information on the product and in this operator's manual as well as a knowledge of the project you are attempting. Before use of this product, familiarize yourself with all operating features and safety rules.

WI-FI BUTTON

Pressing this button will restart the connection process.

LENS

Lens covers a field of view of 100° in the direction in which it is aimed.

SPEAKER

Speaker can broadcast sound when connected to RYOBI GDO System smart phone app.

MICROPHONE

Microphone can pick up and record sound when connected to RYOBI GDO System smart phone app.

LED LIGHT

The LED light displays the status of your camera at a glance.

ASSEMBLY

PACKING LIST

Security Camera Accessory, Antenna, and Operator's Manual.

⚠ WARNING:

Ensure accessories are properly and securely connected to their port on the garage door opener. Failure to properly secure the accessory can cause it to fall and could result in serious personal injury or property damage.

⚠ WARNING:

Use extreme care if you need to stand on a ladder to install or adjust this accessory. Ensure someone is holding the ladder on the ground to keep it stable. Failure to safely use a ladder can cause a fall and result in death or serious personal injury.

INSTALLING THE ANTENNA

See Figure 2.

Locate the antenna inside the package and connect to the accessory as shown.

INSTALLING/REMOVING THE SECURITY CAMERA ACCESSORY

See Figure 3.

It is recommended to install the security camera accessory in port #7 to face the garage door and into the drive once the door is opened. The security camera accessory will, however, operate in any of the ports on the RYOBI Garage Door Opener.

- Assemble and mount the garage door opener as described in the garage door opener manual.
- Connect the garage door opener to an AC power supply.
- Select one of the seven DC accessory ports to power your accessory.
- Attach the accessory to the side of the garage door opener by inserting the hooks on the accessory into the slots on the accessory port. Ensure the bottom latch on the accessory is secured to the port on the garage door opener.
- Depress latch to release and remove the accessory.

OPERATION

⚠ WARNING:

Always deactivate accessory ports when you are assembling parts, making adjustments, cleaning, or when not in use. Deactivating accessory ports will prevent accidental starting that could cause serious personal injury.

NOTICE:

This security camera is not connected to law enforcement, emergency responders, and is not monitored to automatically protect your home or property.

NOTICE:

The operator is responsible for ensuring that all applicable laws and ordinances are followed regarding the use of a security camera, including possible requirements to post signs or notices that a security camera is in use and that its images are being recorded.

NOTICE:

This security camera will only function when connected to your RYOBI garage door opener that is connected to AC power. The camera does not have a battery back-up feature and will not function in the event of a power outage.

CONNECTING THE SECURITY CAMERA ACCESSORY

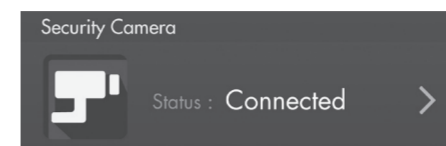
See Figure 4.

Before connecting the security camera accessory, make sure you have downloaded the RYOBI GDO System app available from Google Play or the App Store. You must have the app installed and register a user account before you can use the security camera accessory. Make sure the Wi-Fi from the house to the RYOBI garage door opener is connected and functioning properly.

Unlike other RYOBI garage door opener accessories, you will not be using the indoor keypad to activate or deactivate your security camera. The unit will activate when motion is detected by the lens on the front of the camera.

OPERATION

- Insert the security camera accessory into the desired port on your garage door opener. The pairing process begins immediately.
NOTE: The LED will flash blue indicating the pairing process has begun.
- Launch the RYOBI GDO System app. Allow up to 30 seconds for the camera to populate on the app.



- Once connected, tap the arrow and follow the directions on the screen to finish connecting to your security camera accessory.

The following chart explains the different LED displays:

LED INDICATION	CAMERA STATUS
Red Solid	Camera is starting up
Blue Flashing Slowly	Camera is connecting to wireless access point
Red Flashing Slowly	Scanning for QR code
Red Flashing Quickly	Hardware issue—call customer service
Blue Flashing Quickly	Camera is connecting to video server
Blue Solid	Camera is connected to video server
Red and Blue Flashing Alternately	Camera is updating
Magenta (Red and Blue) Solid	Video recording

- After the Wi-Fi is connected, the images from the security camera accessory can be viewed with the RYOBI GDO System app.

NOTICE:

A flashing red LED indicates a Wi-Fi connection failure. Press the Wi-Fi button to restart the connection process. The security camera will not function, provide video to the RYOBI GDO System app, or record video unless it is connected to the internet.

ADJUSTING THE LENS

See Figure 5.

NOTICE:

This security camera can only provide video coverage and record video in the area in which the lens is aimed. The images displayed on the smartphone app indicate the area covered and areas outside of this area will not be displayed on the smartphone app or recorded. Ensure that the lens is aimed in the area of desired coverage.

The security camera lens adjusts in two different ways. Manually rotate the outer ring left to right or raise and lower the center lens, as shown, to achieve the desired viewing area.

MICRO SD CARD FOR STORAGE

See Figure 6.

The included MicroSD card can store pictures or videos captured by the security camera accessory. Always remove the camera from the opener before installing or removing the SD card.

To install:

- Insert card into the slot as shown and press and release to lock into place.

To remove:

- Press card to release and remove from slot.

SMART PHONE APP

See instructions on smart phone app to use security camera with app and to set-up notifications.

FCC COMPLIANCE

NOTICE:

Changes or modifications to this unit not expressly approved by the party responsible for compliance could void the user's authority to operate the equipment.

This device complies with part 15 of the FCC rules. Operation is subject to the following two conditions: (1) this device may not cause harmful interference, and (2) this device must accept any interference received, including interference that may cause undesired operation.

NOTE: The grantee is not responsible for any changes or modifications not expressly approved by the party responsible for compliance. Such modifications could void the user's authority to operate the equipment.

NOTE: This equipment has been tested and found to comply with the limits for a Class B digital device, pursuant to part 15 of the FCC Rules. These limits are designed to provide reasonable protection against harmful interference in a residential installation. This equipment generates, uses and can radiate radio frequency energy and, if not installed and used in accordance with the instructions, may cause harmful interference to radio communications. However, there is no guarantee that interference will not occur in a particular installation. If this equipment does cause harmful interference to radio or television reception, which can be determined by turning the equipment off and on, the user is encouraged to try to correct the interference by one or more of the following measures:

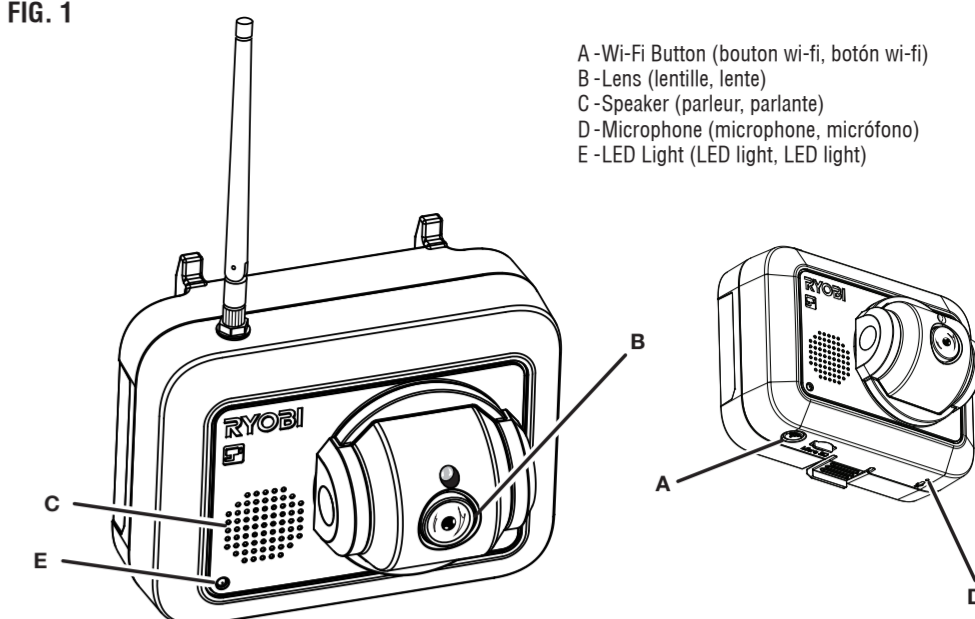
- Reorient or relocate the receiving antenna.
- Increase the separation between the equipment and receiver.
- Connect the equipment into an outlet on a circuit different from that to which the receiver is connected.
- Consult the dealer or an experienced radio/TV technician for help.

This device complies with Industry Canada license-exempt RSS standard(s). Operation is subject to the following two conditions: (1) this device may not cause interference, and (2) this device must accept any interference, including interference that may cause undesired operation of the device.

Under Industry Canada regulations, this radio transmitter may only operate using an antenna of a type and maximum (or lesser) gain approved for the transmitter by Industry Canada. To reduce potential radio interference to other users, the antenna type and its gain should be so chosen that the equivalent isotropically radiated power (e.i.r.p.) is not more than that necessary for successful communication.

**This product has a Three-Year Limited Warranty.
For Warranty details go to www.ryobitools.com**

FIG. 1



- A - Wi-Fi Button (bouton wi-fi, botón wi-fi)
- B - Lens (lentille, lente)
- C - Speaker (parleur, parlante)
- D - Microphone (microphone, micrófono)
- E - LED Light (LED light, LED light)

FIG. 2

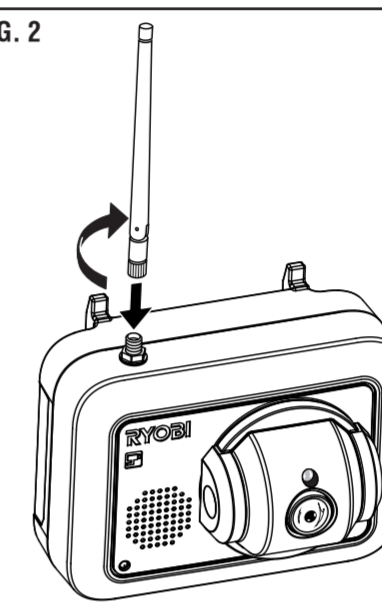
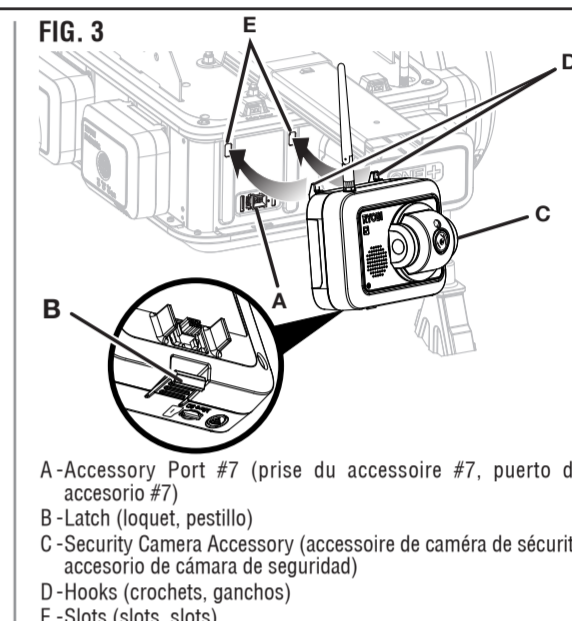
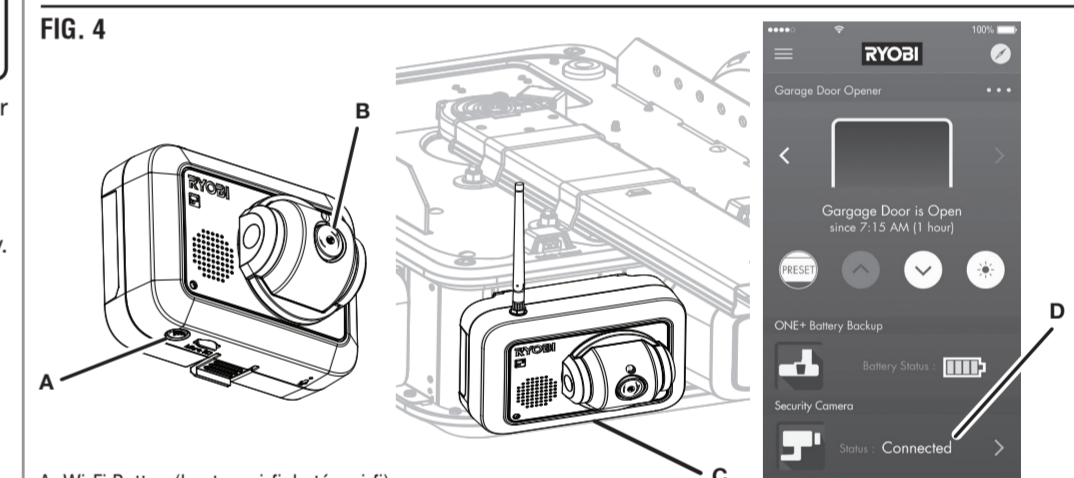


FIG. 3



- A - Accessory Port #7 (prise du accessoire #7, puerto del accesorio #7)
- B - Latch (loquet, pestillo)
- C - Security Camera Accessory (accessoire de caméra de sécurité, accesorio de cámara de seguridad)
- D - Hooks (crochets, ganchos)
- E - Slots (slots, slots)

FIG. 4



- A - Wi-Fi Button (bouton wi-fi, botón wi-fi)
- B - Lens (lentille, lente)
- C - Accessory Port #7 (prise du accessoire #7, puerto del accesorio #7)
- D - Camera connected (la caméra est connectée, cámara conectada)

FIG. 5

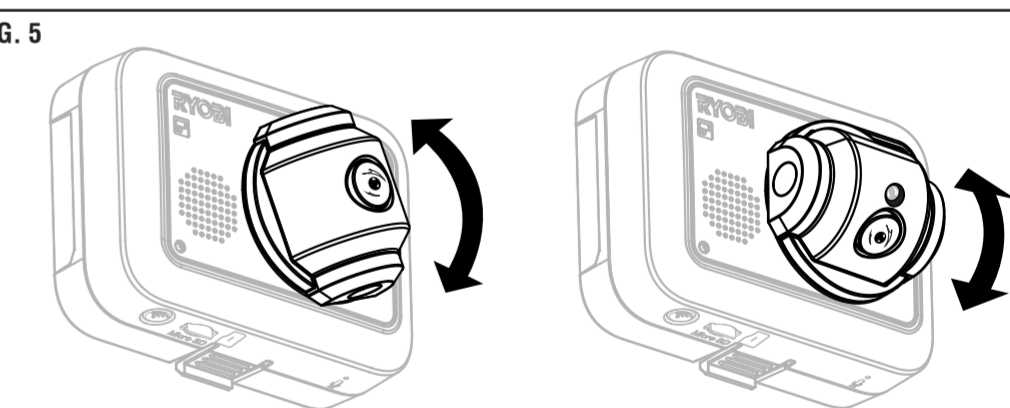


FIG. 6

