

GD125 QUICK REFERENCE GUIDE

WARNING:

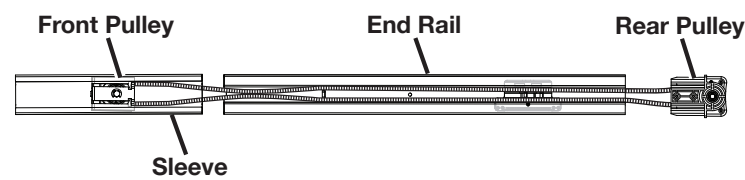
This Quick Reference Guide is not a substitute for reading the operator's manual. To reduce the risk of injury or death, user must read and understand operator's manual before installing or using this product. All page references refer to the operator's manual.



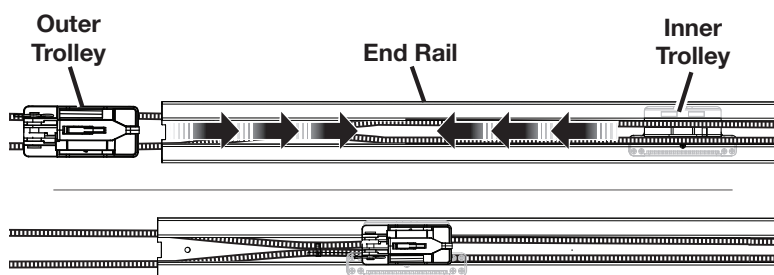
An installation video can be found by searching YouTube for "Official Ryobi Garage Door Opener GD125 Rails and Opener Installation Video".
 Une vidéo d'installation peut être trouvée en effectuant une recherche sur YouTube pour « Official Ryobi Garage Door Opener GD125 Rails and Opener Installation Video » (vidéo officielle pour installation de rails et de ouvre-porte de garage GD125).
 Puede encontrar un video de instalación buscando "Official Ryobi Garage Door Opener GD125 Rails and Opener Installation Video" (video oficial para instalación de rieles y la sistema de apertura para portón de garage GD125) en YouTube.

ASSEMBLY

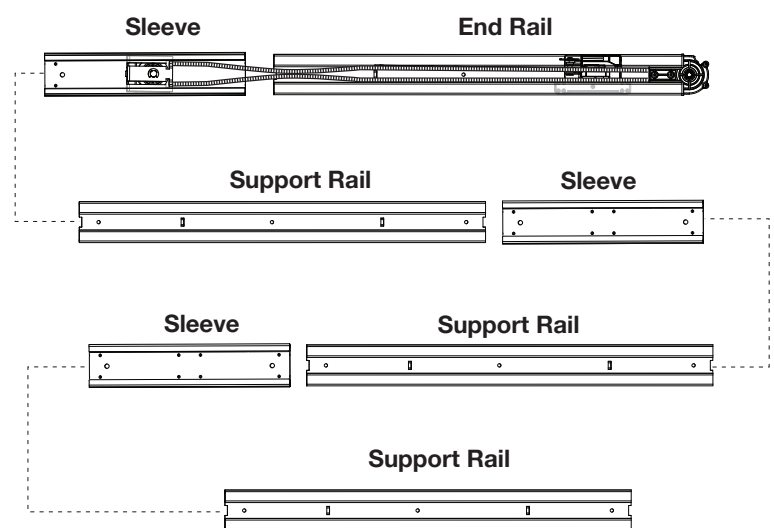
1 Insert rear pulley into end rail. Pull the front pulley through the end rail and into a sleeve. (See page 15.)



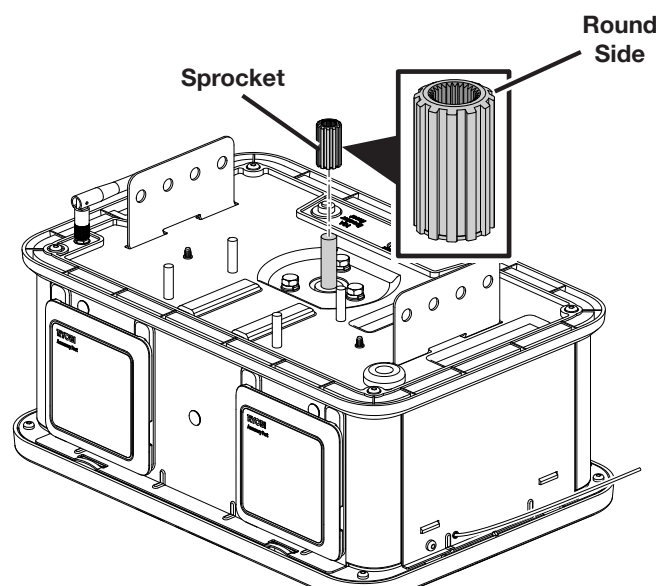
2 Insert outer trolley into the end rail. Slide the inner and outer trolleys together until they engage. (See page 15.)



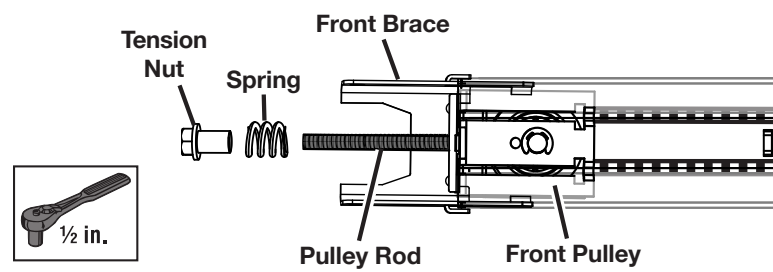
3 Assemble the rails. (See pages 15 and 16.)



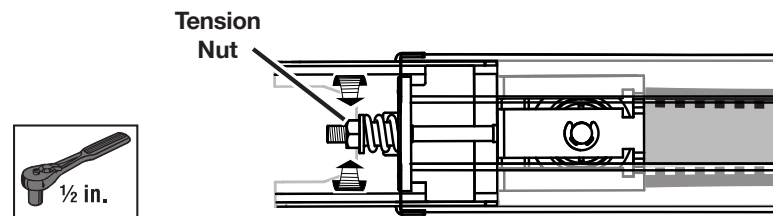
4 Place sprocket onto power head. (See page 17.)



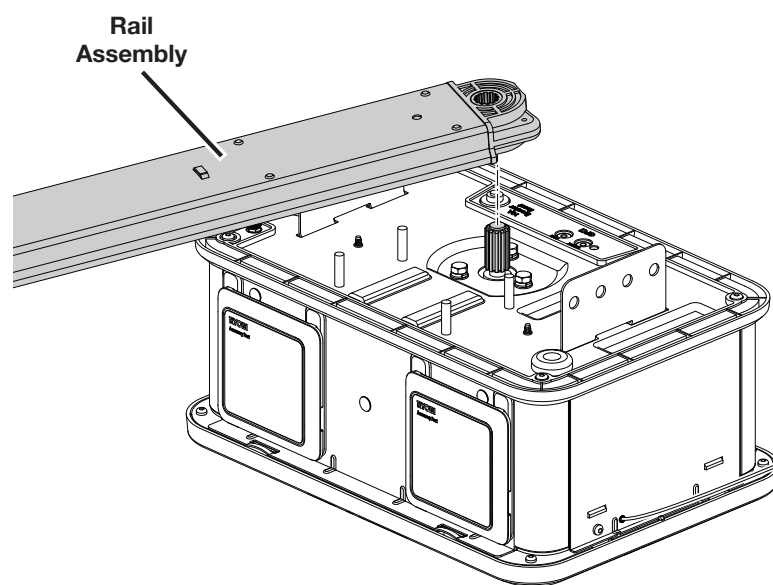
5 Install pulley rod and front brace. (See page 17.)



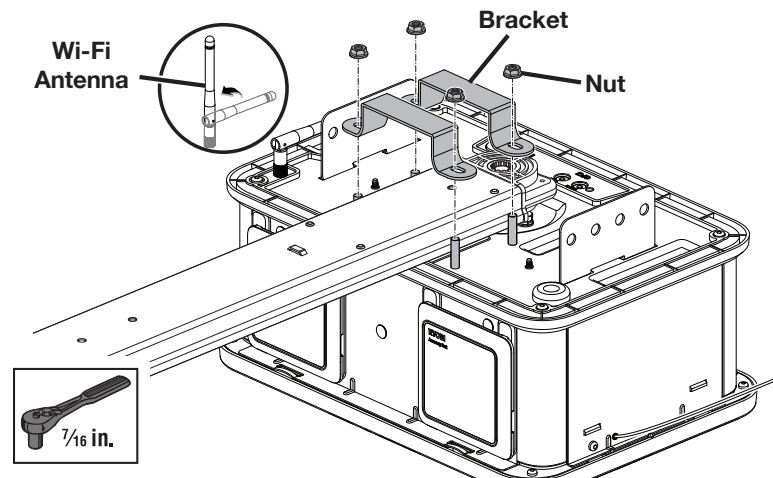
6 Adjust belt tension. (See page 17.)



7 Place rail assembly onto power head. (See page 18.)



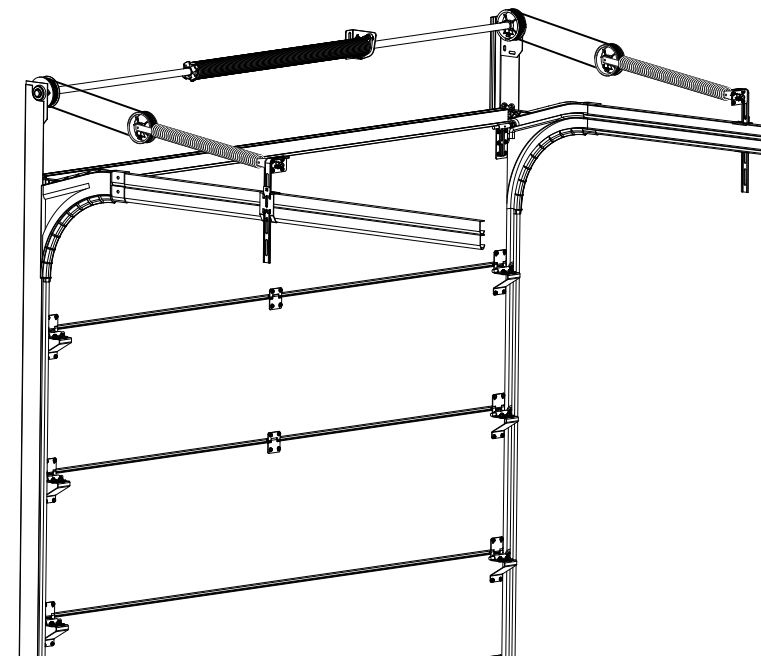
8 Secure rail assembly to power head. Raise Wi-Fi antenna to upright position. (See page 18.)



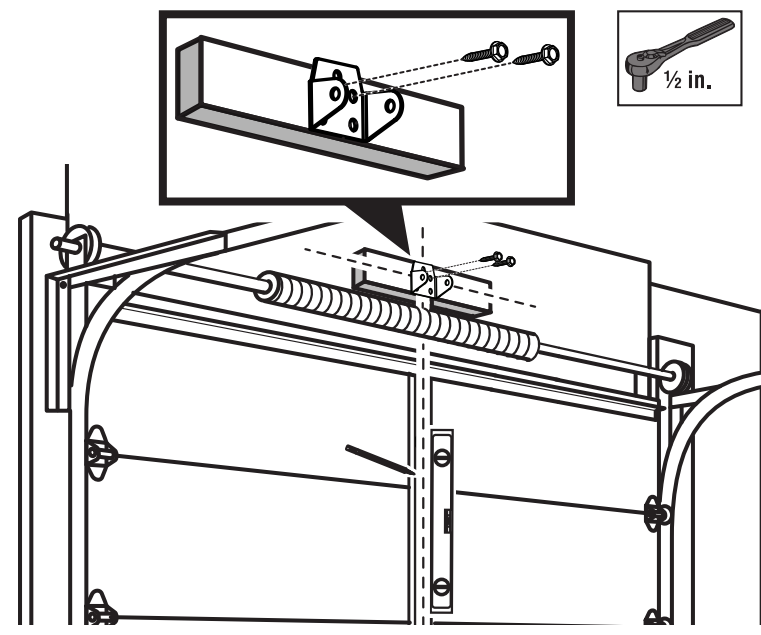
Make the most of your purchase! Go to www.ryobitools.com and register your new tool online. For questions about operating or maintaining your product, please call, 1-877-205-5714.

INSTALLATION

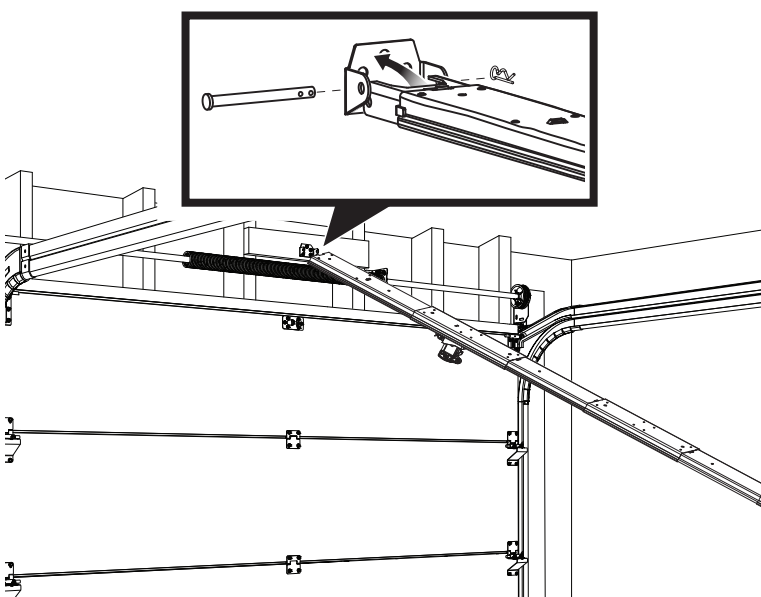
1 Check the condition of the door and identify the spring type. (See page 20.)



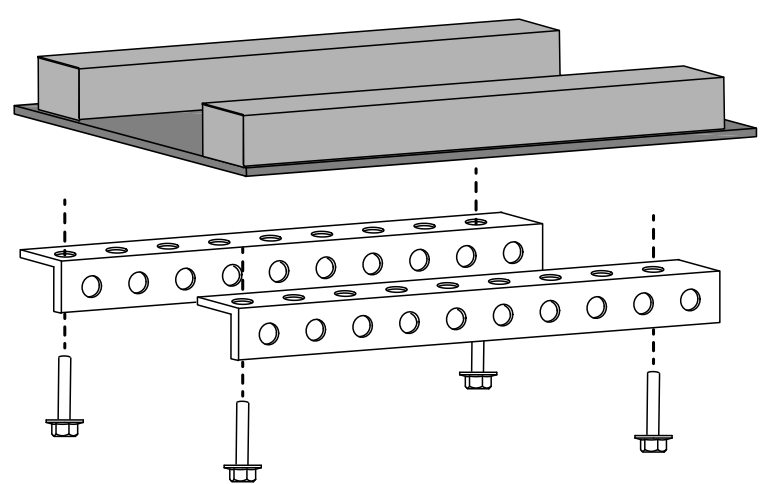
2 Install the header bracket. (See page 22.)



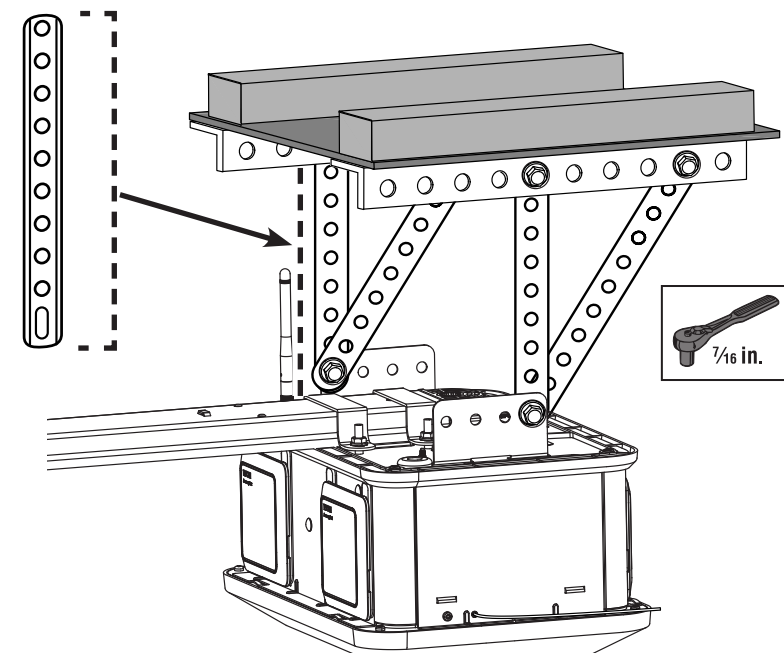
3 Attach rail assembly to header bracket. (See page 23.)



4 Install center brackets (not included) to joists. (See page 25.)

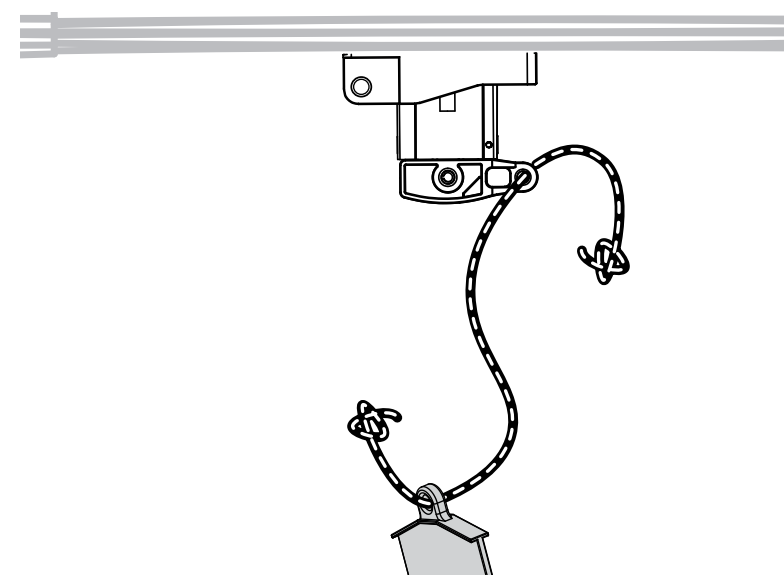


5 Measure and cut mounting straps that are a half inch longer than the distance between the header bracket and the ceiling. Mount power head to the ceiling. (See page 25.)
 NOTE: The proper configuration and placement of mounting straps will vary based on the design and construction of your garage ceiling.

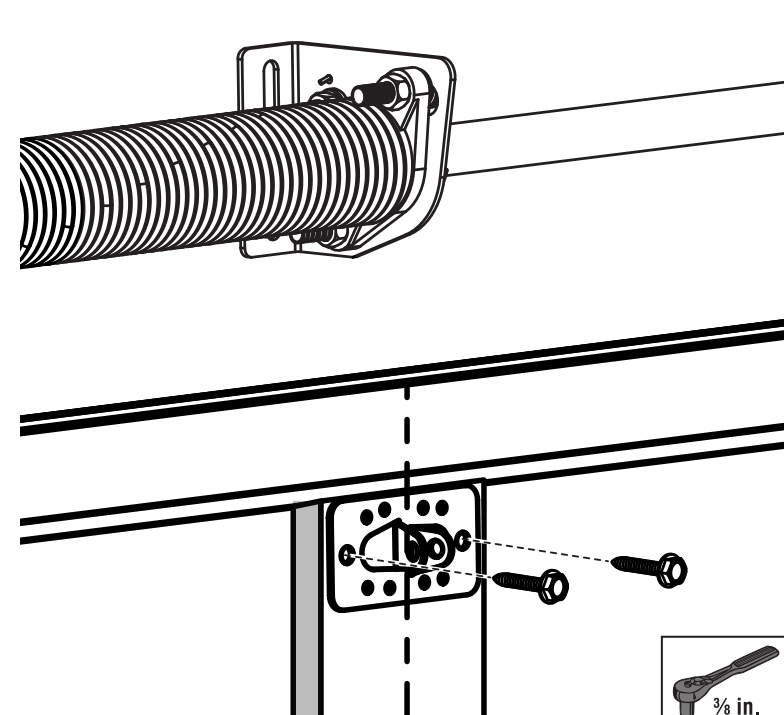


Remove tape and position RF antenna beneath the garage door opener for better signal reception between your opener and the outdoor keypad.

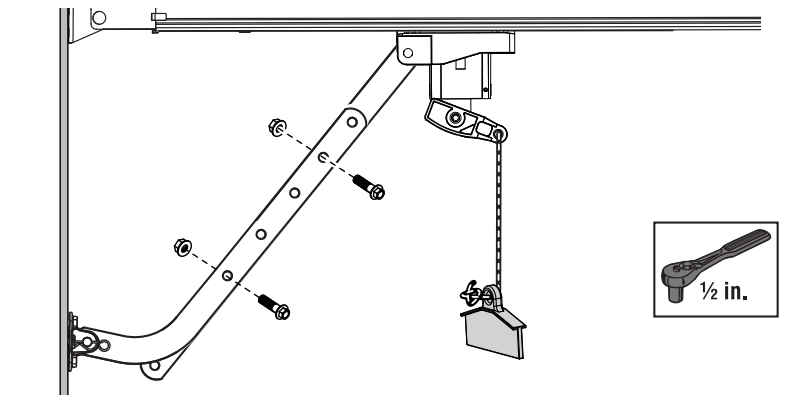
6 Attach the emergency release rope. (See page 26.)



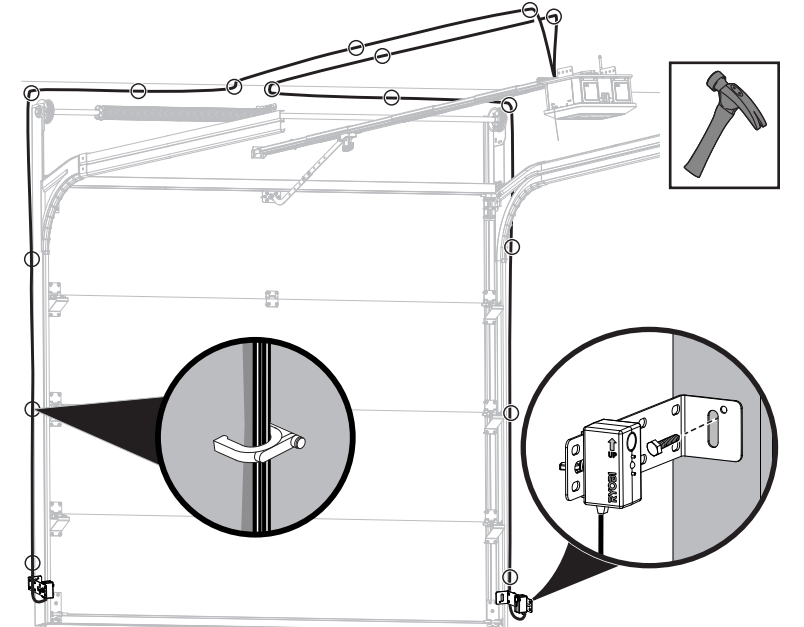
7 Install the door bracket. (See page 26.)
 NOTE: Installation varies for single panel and wooden garage doors. See page 27 for details.



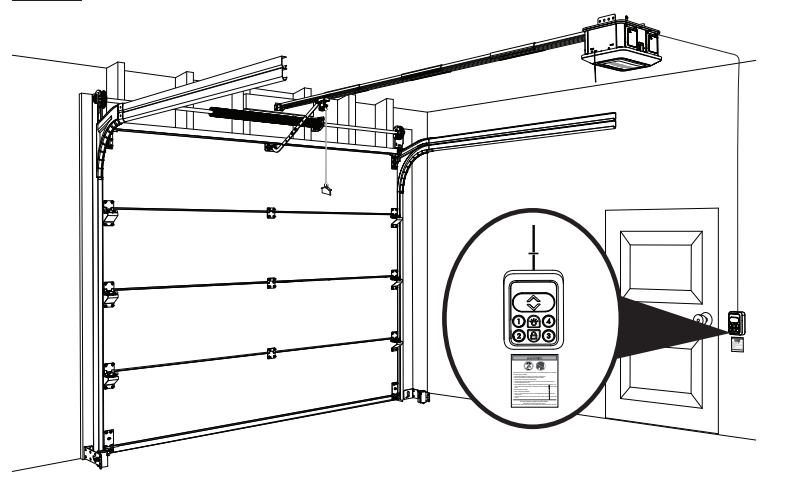
8 Connect door bracket to outer trolley. (See page 28.)
 NOTE: Installation varies for single panel doors. See page 29 for details.



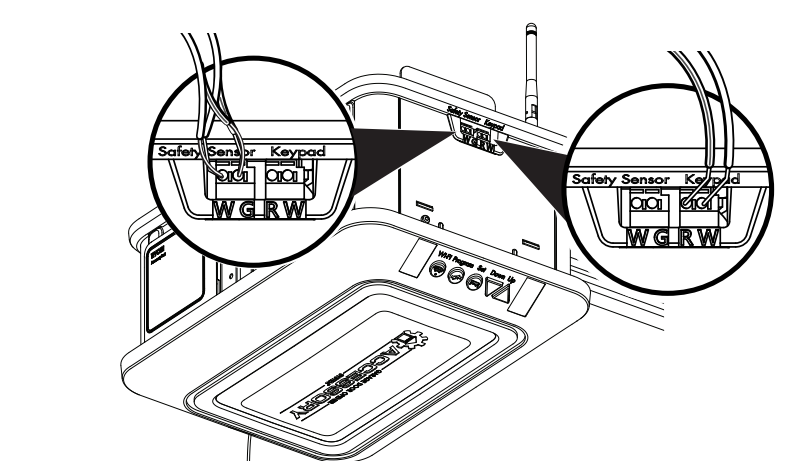
9 Assemble and install safety sensors. (See page 29.)
 Align sensors until they are directly facing each other. (See page 33.)



10 Install indoor keypad and entrapment label. (See page 31.)



11 Wire indoor keypad and safety sensors. (See pages 30 - 32.)
 NOTE: Strip 1/2 in. of insulation from the ends of each wire prior to installation.



The garage door opener will not open or close until the travel limits have been properly set. Refer to page 36 of the operator's manual for details.