



OPERATOR'S MANUAL

MANUEL D'UTILISATION

MANUAL DEL OPERADOR

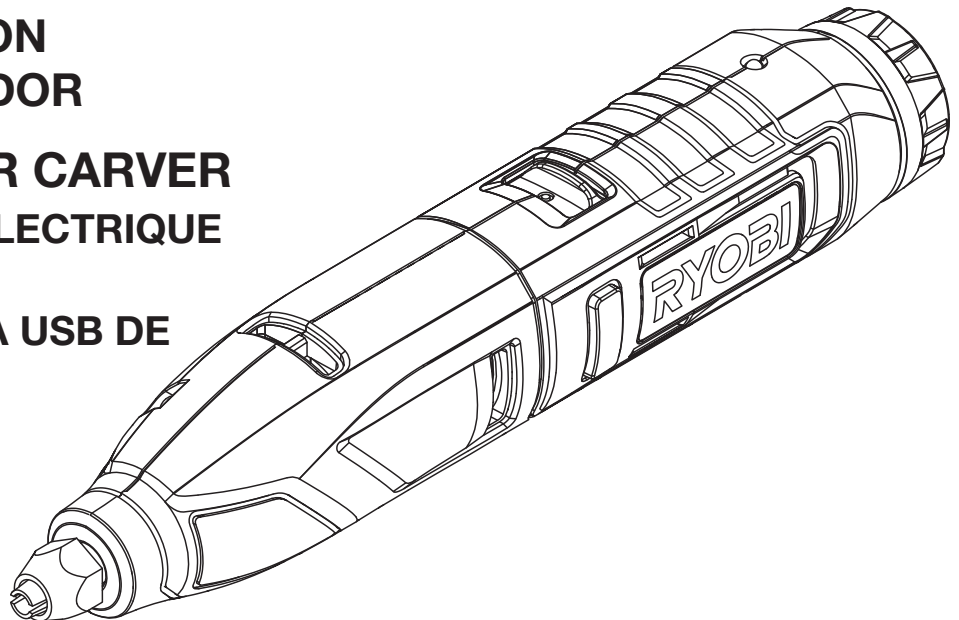
USB LITHIUM POWER CARVER

OUTIL DE SCULPTURE ÉLECTRIQUE

USB AU LITHIUM

GRABADORA ELÉCTRICA USB DE LITIO

FVH51



INCLUDES: Power carver, various power carver accessories, USB cable, wrench, operator's manual

TABLE OF CONTENTS

- General Power Tool Safety Warnings.....2-3
- Power Carver Safety Warnings 4
- Symbols.....5
- Features.....6
- Assembly6
- Operation.....6-8
- Maintenance.....8
- Illustrations9-10
- Parts Ordering and ServiceBack page

INCLUT : Outil de sculpture électrique, différents accessoires de l'outil de sculpture électrique, câble USB, clé à douille, manuel de l'opérateur

TABLE DES MATIÈRES

- Règles de sécurité générales relatives aux outils électriques.....2-3
- Avertissements de sécurité relatifs à l'outil de sculpture électrique.....4-5
- Symboles.....5-6
- Caractéristiques6
- Assemblage.....6
- Utilisation7-8
- Entretien8
- Illustrations9-10
- Commande de pièces et dépannagePage arrière

INCLUYE: Grabadora eléctrica, varios accesorios de la grabadora eléctrica, cable USB, llave del portaherramientas, manual del operador

ÍNDICE DE CONTENIDO

- Advertencias de seguridad para herramientas eléctrica..... 2-3
- Advertencias de seguridad de la grabadora eléctrica..... 4-5
- Símbolos..... 5-6
- Características.....6
- Armado6
- Funcionamiento 7-8
- Mantenimiento.....8
- Ilustraciones..... 9-10
- Pedidos de piezas y servicio..... Pág. posterior

WARNING:

To reduce the risk of injury, the user must read and understand the operator's manual before using this product.

AVERTISSEMENT :

Pour réduire les risques de blessures, l'utilisateur doit lire et veiller à bien comprendre le manuel d'utilisation avant d'utiliser ce produit.

ADVERTENCIA:

Para reducir el riesgo de lesiones, el usuario debe leer y comprender el manual del operador antes de usar este producto.

SAVE THIS MANUAL FOR FUTURE REFERENCE

CONSERVER CE MANUEL POUR FUTURE RÉFÉRENCE

GUARDE ESTE MANUAL PARA FUTURAS CONSULTAS

GENERAL POWER TOOL SAFETY WARNINGS

WARNING:

Read all safety warnings, instructions, illustrations and specifications provided with this power tool. Failure to follow all instructions listed below may result in electric shock, fire and/or serious injury.

Save all warnings and instructions for future reference. The term “power tool” in the warnings refers to your mains-operated (corded) power tool or battery-operated (cordless) power tool.

WORK AREA SAFETY

- **Keep work area clean and well lit.** Cluttered or dark areas invite accidents.
- **Do not operate power tools in explosive atmospheres, such as in the presence of flammable liquids, gases or dust.** Power tools create sparks which may ignite the dust or fumes.
- **Keep children and bystanders away while operating a power tool.** Distractions can cause you to lose control.

ELECTRICAL SAFETY

- **Power tool plugs must match the outlet. Never modify the plug in any way. Do not use any adapter plugs with earthed (grounded) power tools.** Unmodified plugs and matching outlets will reduce risk of electric shock.
- **Avoid body contact with earthed or grounded surfaces, such as pipes, radiators, ranges and refrigerators.** There is an increased risk of electric shock if your body is earthed or grounded.
- **Do not expose power tools to rain or wet conditions.** Water entering a power tool will increase the risk of electric shock.
- **Do not abuse the cord. Never use the cord for carrying, pulling or unplugging the power tool. Keep cord away from heat, oil, sharp edges or moving parts.** Damaged or entangled cords increase the risk of electric shock.
- **When operating a power tool outdoors, use an extension cord suitable for outdoor use.** Use of a cord suitable for outdoor use reduces the risk of electric shock.

- **If operating a power tool in a damp location is unavoidable, use a ground fault circuit interrupter (GFCI) protected supply.** Use of a GFCI reduces the risk of electric shock.
- **Use only UL listed USB sources to charge this device.** Use of any non-UL Listed USB sources may create a risk of fire.

PERSONAL SAFETY

- **Stay alert, watch what you are doing and use common sense when operating a power tool. Do not use a power tool while you are tired or under the influence of drugs, alcohol or medication.** A moment of inattention while operating power tools may result in serious personal injury.
- **Use personal protective equipment. Always wear eye protection.** Protective equipment such as dust mask, non-skid safety shoes, hard hat, or hearing protection used for appropriate conditions will reduce personal injuries.
- **Prevent unintentional starting. Ensure the switch is in the off-position before connecting to power source and/or battery pack, picking up or carrying the tool.** Carrying power tools with your finger on the switch or energizing power tools that have the switch on invites accidents.
- **Remove any adjusting key or wrench before turning the power tool on.** A wrench or a key left attached to a rotating part of the power tool may result in personal injury.
- **Do not overreach. Keep proper footing and balance at all times.** This enables better control of the power tool in unexpected situations.
- **Dress properly. Do not wear loose clothing or jewelry. Keep your hair and clothing away from moving parts.** Loose clothes, jewelry or long hair can be caught in moving parts.
- **If devices are provided for the connection of dust extraction and collection facilities, ensure these are connected and properly used.** Use of dust collection can reduce dust-related hazards.

GENERAL POWER TOOL SAFETY WARNINGS

- **Do not let familiarity gained from frequent use of tools allow you to become complacent and ignore tool safety principles.** A careless action can cause severe injury within a fraction of a second.

POWER TOOL USE AND CARE

- **Do not force the power tool. Use the correct power tool for your application.** The correct power tool will do the job better and safer at the rate for which it was designed.
- **Do not use the power tool if the switch does not turn it on and off.** Any power tool that cannot be controlled with the switch is dangerous and must be repaired.
- **Disconnect the plug from the power source and/or remove the battery pack, if detachable, from the power tool before making any adjustments, changing accessories, or storing power tools.** Such preventive safety measures reduce the risk of starting the power tool accidentally.
- **Store idle power tools out of the reach of children and do not allow persons unfamiliar with the power tool or these instructions to operate the power tool.** Power tools are dangerous in the hands of untrained users.
- **Maintain power tools and accessories. Check for misalignment or binding of moving parts, breakage of parts and any other condition that may affect the power tool's operation. If damaged, have the power tool repaired before use.** Many accidents are caused by poorly maintained power tools.
- **Keep cutting tools sharp and clean.** Properly maintained cutting tools with sharp cutting edges are less likely to bind and are easier to control.
- **Use the power tool, accessories and tool bits etc. in accordance with these instructions, taking into account the working conditions and the work to be performed.** Use of the power tool for operations different from those intended could result in a hazardous situation.
- **Keep handles and grasping surfaces dry, clean and free from oil and grease.** Slippery handles and grasping surfaces do not allow for safe handling and control of the tool in unexpected situations.

BATTERY TOOL USE AND CARE

- **Recharge only with the charger specified by the manufacturer.** A charger that is suitable for one type of battery pack may create a risk of fire when used with another battery pack.
- **Use power tools only with specifically designated battery packs.** Use of any other battery packs may create a risk of injury and fire.
- **When battery pack is not in use, keep it away from other metal objects, like paper clips, coins, keys, nails, screws or other small metal objects, that can make a connection from one terminal to another.** Shorting the battery terminals together may cause burns or a fire.
- **Under abusive conditions, liquid may be ejected from the battery; avoid contact. If contact accidentally occurs, flush with water. If liquid contacts eyes, additionally seek medical help.** Liquid ejected from the battery may cause irritation or burns.
- **Do not use a battery pack or tool that is damaged or modified.** Damaged or modified batteries may exhibit unpredictable behavior resulting in fire, explosion or risk of injury.
- **Do not expose a battery pack or tool to fire or excessive temperature.** Exposure to fire or temperature above 265°F may cause explosion.
- **Follow all charging instructions and do not charge the battery pack or tool outside the temperature range specified in the instructions.** Charging improperly or at temperatures outside the specified range may damage the battery and increase the risk of fire.

SERVICE

- **Have your power tool serviced by a qualified repair person using only identical replacement parts.** This will ensure that the safety of the power tool is maintained.
- **Never service damaged battery packs.** Service of battery packs should only be performed by the manufacturer or authorized service providers.

POWER CARVER SAFETY WARNINGS




- **Do not use accessories which are not specifically designed and recommended by the tool manufacturer.** Just because the accessory can be attached to your power tool, it does not assure safe operation.
- **The rated speed of accessories must be at least equal to the operating speed setting marked on the power tool.** Accessories running faster than their rated speed can break and fly apart.
- **The outside diameter and the thickness of your accessory must be within the capacity rating of your power tool.** Incorrectly sized accessories cannot be adequately controlled.
- **Wear personal protective equipment. Depending on application, use face shield, safety goggles or safety glasses. As appropriate, wear dust mask, hearing protectors, gloves and workshop apron capable of stopping small abrasive or workpiece fragments.** The eye protection must be capable of stopping flying debris generated by various operations. The dust mask or respirator must be capable of filtering particles generated by your operation. Prolonged exposure to high intensity noise may cause hearing loss.
- **Keep bystanders a safe distance away from work area. Anyone entering the work area must wear personal protective equipment.** Fragments of workpiece or of a broken accessory may fly away and cause injury beyond immediate area of operation.
- **Hold the power tool by insulated gripping surfaces, when performing an operation where the cutting accessory may contact hidden wiring.** Cutting accessory contacting a “live” wire may make exposed metal parts of the power tool “live” and could give the operator an electric shock.
- **Use clamps or another practical way to secure and support the workpiece to a stable platform.** Holding the workpiece by hand or against your body leaves it unstable and may lead to loss of control.
- **Always hold the tool firmly in your hand(s) during the start-up.** The reaction torque of the motor, as it accelerates to full speed, can cause the tool to twist.
- **Do not operate the power tool near flammable materials.** Sparks could ignite these materials.
- **Protect your hearing. Wear hearing protection during extended periods of operation.** Following this rule will reduce the risk of serious personal injury.
- **Check damaged parts. Before further use of the tool, a guard or other part that is damaged should be carefully checked to determine that it will operate properly and perform its intended function. Check for alignment of moving parts, binding of moving parts, breakage of parts, mounting, and any other conditions that may affect its operation. A guard or other part that is damaged should be properly repaired or replaced by an authorized service center.** Following this rule will reduce the risk of shock, fire, or serious injury.
- **Inspect for and remove all nails from lumber before using this tool.** Following this rule will reduce the risk of serious personal injury.
- **Battery tools do not have to be plugged into an electrical outlet; therefore, they are always in operating condition. Be aware of possible hazards when not using your battery tool or when changing accessories.** Following this rule will reduce the risk of electric shock, fire, or serious personal injury.
- **Do not place battery tools or their batteries near fire or heat.** This will reduce the risk of explosion and possibly injury.
- **Do not crush, drop or damage battery pack. Do not use a battery pack or charger that has been dropped or received a sharp blow.** A damaged battery is subject to explosion. Properly dispose of a dropped or damaged battery immediately.
- **Batteries can explode in the presence of a source of ignition, such as a pilot light.** To reduce the risk of serious personal injury, never use any cordless product in the presence of open flame. An exploded battery can propel debris and chemicals. If exposed, flush with water immediately.
- **Under extreme usage or temperature conditions, battery leakage may occur. If liquid comes in contact with your skin, wash immediately with soap and water. If liquid gets into your eyes, flush them with clean water for at least 10 minutes, then seek immediate medical attention.** Following this rule will reduce the risk of serious personal injury.
- **Accessory blades should not be stored in the tool.** Tool and accessory should be stored separately when not in use.
- **Save these instructions.** Refer to them frequently and use them to instruct others who may use this product. If you loan someone this product, loan them these instructions also.

ADDITIONAL SAFETY RULES






- **Know your power tool. Read operator’s manual carefully. Learn its applications and limitations, as well as the specific potential hazards related to this tool.** Following this rule will reduce the risk of electric shock, fire, or serious injury.
- **Always wear eye protection with side shields marked to comply with ANSI Z87.1.** Following this rule will reduce the risk of serious personal injury.
- **Protect your lungs. Wear a face or dust mask if the operation is dusty.** Following this rule will reduce the risk of serious personal injury.

SYMBOLS

The following signal words and meanings are intended to explain the levels of risk associated with this product.

SYMBOL	SIGNAL	MEANING
	DANGER:	Indicates a hazardous situation, which, if not avoided, will result in death or serious injury.
	WARNING:	Indicates a hazardous situation, which, if not avoided, could result in death or serious injury.
	CAUTION:	Indicates a hazardous situation, that, if not avoided, may result in minor or moderate injury.
	NOTICE:	(Without Safety Alert Symbol) Indicates information considered important, but not related to a potential injury (e.g. messages relating to property damage).

Some of the following symbols may be used on this product. Please study them and learn their meaning. Proper interpretation of these symbols will allow you to operate the product better and safer.

SYMBOL	NAME	DESIGNATION/EXPLANATION
	Safety Alert	Indicates a potential personal injury hazard.
	Read Operator's Manual	To reduce the risk of injury, user must read and understand operator's manual before using this product.
	Eye and Breathing Protection	Always wear eye protection with side shields marked to comply with ANSI Z87.1. Breathing protection may also be required depending on the type of attachment used and as prescribed elsewhere in this Operator's Manual.
	Wet Conditions Alert	Do not expose to rain or use in damp locations.
	Recycle Symbol	This product uses lithium-ion (Li-ion) batteries. Local, state or federal laws may prohibit disposal of batteries in ordinary trash. Consult your local waste authority for information regarding available recycling and/or disposal options.
V	Volts	Voltage
min	Minutes	Time
==	Direct Current	Type or a characteristic of current
n_0	No Load Speed	Rotational speed, at no load
.../min	Per Minute	Revolutions, strokes, surface speed, orbits etc., per minute

FEATURES

PRODUCT SPECIFICATIONS

Strokes Per Minute..... 14,000 s/min (SPM)

ASSEMBLY

WARNING:

Do not use this product if it is not completely assembled or if any parts appear to be missing or damaged. Use of a product that is not properly and completely assembled or with damaged or missing parts could result in serious personal injury.

WARNING:

Do not attempt to modify this product or create accessories or attachments not recommended for use with this product. Any such alteration or modification is misuse and could result in a hazardous condition leading to possible serious personal injury.

If any parts are damaged or missing, please call 1-800-525-2579 for assistance.

OPERATION

WARNING:

Do not allow familiarity with this product to make you careless. Remember that a careless fraction of a second is sufficient to inflict serious injury.

WARNING:

Always remove battery pack from the tool when you are assembling parts, making adjustments, changing accessories, cleaning, or when not in use. Removing battery pack will prevent accidental starting that could cause serious personal injury.

WARNING:

Always wear eye protection with side shields marked to comply with ANSI Z87.1. Hearing protection may also be required depending on the type of attachment used and as prescribed elsewhere in this Operator's Manual. Failure to do so could result in objects being thrown into your eyes and other possible serious injuries.

WARNING:

Do not use any attachments or accessories not recommended by the manufacturer of this product. The use of attachments or accessories not recommended can result in serious personal injury.

NOTICE:

To prevent damage to the spindle or spindle lock, always allow motor to come to a complete stop before engaging the spindle lock.

APPLICATIONS

You may use this product for the purposes of wood carving.

INSTALLING/REMOVING BATTERY PACK

See Figure 1, page 9.

To install:

- Unscrew and remove the battery cap.
- Insert the battery pack into the product as shown.

OPERATION

- Place the cap over the battery pack and push down until the cap meets the threads at the end of the tool.
- Screw the cap on securely.
NOTE: Do not attempt to use this product if the battery cap is not securely closed.

To remove:

- Unscrew and remove the battery cap.
- Remove the battery pack from the tool.

LED LIGHT FUNCTIONS

See Figure 1, page 9.

When a charged battery pack is installed in the tool, the LED light will indicate the status of the battery.

BATTERY STATUS	LED LIGHT SCENARIO
Charged	Solid Green
Low Battery (5- 25%)	Solid Red
Low Battery (0- 5%)	Flashing Red (3 Flashes)
Overload Protection	Flashing Red (6 Flashes)
High Temperature Protection	Flashing Red (9 Flashes)

OVERLOAD PROTECTION

When the tool is forced or the motor is overloaded, the tool will automatically shut off. To reset the tool, wait 5 seconds, slide the on/off switch to the OFF position and then slide it to the ON position to resume operation. If the tool still does not resume operation, remove and reinsert the battery. Do not force the tool.

HIGH TEMPERATURE PROTECTION

This tool is equipped with a high temperature protection feature that automatically deactivates the tool when it is overheated. To resume operation, allow the tool to cool and then turn the tool on.

INSTALLING/REMOVING ACCESSORIES

See Figures 2 - 3, pages 9

To install:

- Remove the battery pack from the tool.
- Choose an accessory that fits the collet and is suitable for the application you are attempting.
- Using your hand, rotate the clamp nut counterclockwise to loosen.

NOTE: If desired, the nut can be loosened with a wrench. Place the wrench on the nut securely and turn counterclockwise to loosen.

- Insert the shank of the blade accessory into the center of the clamp nut until the shank is secure.
- Rotate the clamp nut clockwise until the blade is secure. Avoid excess tightening of the clamp nut

NOTE: If desired, the clamp nut can be tightened with a wrench. Place the wrench on the hexed area of the nut and turn clockwise to tighten.

To remove:

- Remove the battery pack from the tool.
- Loosen the clamp nut.
- Remove the accessory.



DANGER:

If you are changing an accessory immediately after use, be careful not to touch the collet or the accessory with your hands or fingers. You will get burned because of the heat build-up from operation. Always use the wrench provided or allow the collet to cool.

TURNING THE POWER CARVER ON/OFF

See Figure 4, page 9.

To turn the power carver ON, slide the on/off switch to the ON position. To turn it OFF, slide the on/off switch to the OFF position.

OPERATING THE POWER CARVER

See Figures 5 - 6, page 10.

Learning to use the power carver:

- Hold the tool in your hand and get used to its weight, balance, and the taper of the housing. This taper permits the tool to be grasped like a pencil or in a "golf grip" method.
- Examine the power carver accessories carefully. Damaged accessories can fly apart as they come up to speed and should not be used. The use of damaged accessories can result in serious personal injury.
- Practice on scrap materials first to see how the tool operates. Keep in mind that the work is done by the speed of the tool and by the accessory in the collet. You should not lean on or push the tool into the work.

OPERATION

It is best to make a series of passes with the tool rather than attempt to do all the work in one pass. Remove a little material on each pass until you reach the desired depth. For most work, a gentle touch is best; you will have greater control, make fewer errors, and get the most efficient work out of the accessory.

For the best control in close work, grip the tool like a pencil between your thumb and forefinger.

A “golf grip” method of holding the tool is used for operations such as grinding a flat surface.

To operate the power carver:

- Hold the tool in front and away from you.
- Lower the tool gradually until the accessory contacts the workpiece.
- Apply pressure onto the workpiece to begin carving.
- Move the tool continuously at a steady, consistent pace.
- Lift the tool away from the workpiece before turning off the tool.

MAINTENANCE

WARNING:

When servicing, use only identical replacement parts. Use of any other parts could create a hazard or cause product damage.

GENERAL MAINTENANCE

Avoid using solvents when cleaning plastic parts. Most plastics are susceptible to damage from various types of commercial solvents and may be damaged by their use. Use clean cloths to remove dirt, dust, oil, grease, etc.

**NOTE: ILLUSTRATIONS START ON PAGE 9
AFTER FRENCH AND SPANISH LANGUAGE SECTIONS.**

RÈGLES DE SÉCURITÉ GÉNÉRALES RELATIVES AUX OUTILS ÉLECTRIQUES

AVERTISSEMENT :

Lire les avertissements de sécurité, les instructions et les précisions et consulter les illustrations fournis avec cet outil électrique. Le fait de ne pas se conformer à l'ensemble des consignes présentées ci-dessous risque d'entraîner des décharges électriques, un incendie et/ou des blessures graves.

Conserver les avertissements et les instructions à des fins de référence ultérieure. Le terme « outil électrique », utilisé dans tous les avertissements ci-dessous désigne tout outil fonctionnant sur secteur (câblé) ou sur piles (sans fil).

SÉCURITÉ DU LIEU DE TRAVAIL

- **Garder le lieu de travail propre et bien éclairé.** Les endroits encombrés ou sombres sont propices aux accidents.
- **Ne pas utiliser d'outils électriques dans des atmosphères explosives, par exemple en présence de liquides, gaz ou poussières inflammables.** Les outils électriques produisent des étincelles risquant d'enflammer les poussières ou vapeurs.
- **Garder les enfants et badauds à l'écart pendant l'utilisation d'un outil électrique.** Les distractions peuvent causer une perte de contrôle.

SÉCURITÉ ÉLECTRIQUE

- **Les fiches des outils électriques doivent correspondre à la prise secteur utilisée. Ne jamais modifier la fiche, de quelque façon que ce soit. Ne jamais utiliser d'adaptateurs de fiche avec des outils mis à la terre.** Les fiches et prises non modifiées réduisent le risque de choc électrique.
- **Éviter tout contact du corps avec des surfaces mises à la terre, telles que tuyaux, radiateurs, cuisinières et réfrigérateurs.** Le risque de choc électrique est accru lorsque le corps est mis à la terre.
- **Ne pas exposer les outils électriques à l'eau ou l'humidité.** La pénétration d'eau dans ces outils accroît le risque de choc électrique.
- **Ne pas maltraiter le cordon d'alimentation. Ne jamais utiliser le cordon d'alimentation pour transporter l'outil et ne jamais débrancher ce dernier en tirant sur le cordon. Garder le cordon à l'écart de la chaleur, de l'huile, des objets tranchants et des pièces en mouvement.** Un cordon endommagé ou emmêlé accroît le risque de choc électrique.
- **Pour les travaux à l'extérieur, utiliser un cordon spécialement conçu à cet effet.** Utiliser un cordon conçu pour l'usage extérieur pour réduire les risques de choc électrique.

- **S'il est nécessaire d'utiliser l'outil électrique dans un endroit humide, employer un dispositif interrupteur de défaut à la terre (GFCI).** L'utilisation d'un GFCI réduit le risque de décharge électrique.
- **Utiliser uniquement des sources USB répertoriées UL pour charger cet appareil.** L'utilisation de sources USB non répertoriées UL peut créer un risque d'incendie.

SÉCURITÉ PERSONNELLE

- **Rester attentif, prêter attention au travail et faire preuve de bon sens lors de l'utilisation de tout outil électrique. Ne pas utiliser cet outil en état de fatigue ou sous l'influence de l'alcool, de drogues ou de médicaments.** Un moment d'inattention pendant l'utilisation d'un outil électrique peut entraîner des blessures graves.
- **Utiliser l'équipement de sécurité. Toujours porter une protection oculaire.** L'équipement de sécurité, tel qu'un masque filtrant, de chaussures de sécurité, d'un casque ou d'une protection auditive, utilisé dans des conditions appropriées réduira le risque de blessures.
- **Éviter les démarrages accidentels. S'assurer que le commutateur est en position d'arrêt avant de brancher l'outil.** Porter un outil avec le doigt sur son commutateur ou brancher un outil dont le commutateur est en position de marche peut causer un accident.
- **Retirer les clés de réglage avant de mettre l'outil en marche.** Une clé laissée sur une pièce rotative de l'outil peut causer des blessures.
- **Ne pas travailler hors de portée. Toujours se tenir bien campé et en équilibre.** Ceci permettra de mieux contrôler l'outil en cas de situation imprévue.
- **Porter une tenue appropriée. Ne porter ni vêtements amples, ni bijoux. Garder les cheveux et les vêtements à l'écart des pièces en mouvement.** Les vêtements amples, bijoux et cheveux longs peuvent se prendre dans les pièces en mouvement.
- **Si les outils sont équipés de dispositifs de dépoussiérage, s'assurer qu'ils sont connectés et correctement utilisés.** L'usage de ces dispositifs de dépoussiérage peut réduire les dangers présentés par la poussière.
- **Malgré votre expérience acquise par l'utilisation fréquente des outils, soyez toujours vigilant et respectez les principes de sécurité relatifs aux outils.** Il s'agit d'une fraction de seconde pour qu'un geste irréfléchi puisse causer de graves blessures.

RÈGLES DE SÉCURITÉ GÉNÉRALES RELATIVES AUX OUTILS ÉLECTRIQUES

UTILISATION ET ENTRETIEN DES OUTILS ÉLECTRIQUES

- **Ne pas forcer l'outil. Utiliser l'outil approprié pour l'application.** Un outil approprié exécutera le travail mieux et de façon moins dangereuse s'il est utilisé dans les limites prévues.
- **Ne pas utiliser l'outil si le commutateur ne permet pas de le mettre en marche ou de l'arrêter.** Tout outil qui ne peut pas être contrôlé par son commutateur est dangereux et doit être réparé.
- **Débrancher l'outil et/ou retirer le bloc-piles avant d'effectuer des réglages, de changer d'accessoire ou de remiser l'outil.** Ces mesures de sécurité préventives réduisent les risques de démarrage accidentel de l'outil.
- **Ranger les outils motorisés hors de la portée des enfants et ne laisser personne n'étant pas familiarisé avec l'outil ou ces instructions utiliser l'outil.** Dans les mains de personnes n'ayant pas reçu des instructions adéquates, les outils sont dangereux.
- **Entretenir les outils motorisés. Vérifier qu'aucune pièce mobile n'est mal alignée ou bloquée, qu'aucune pièce n'est brisée et s'assurer qu'aucun autre problème ne risque d'affecter le bon fonctionnement de l'outil. En cas de dommages faire réparer l'outil avant de l'utiliser de nouveau.** Beaucoup d'accidents sont causés par des outils mal entretenus.
- **Garder les outils bien affûtés et propres.** Des outils correctement entretenus et dont les tranchants sont bien affûtés risquent moins de se bloquer et sont plus faciles à contrôler.
- **Utiliser l'outil, les accessoires et embouts, etc. conformément à ces instructions pour les applications pour lesquelles ils sont conçus, en tenant compte des conditions et du type de travail à exécuter.** L'usage d'un outil motorisé pour des applications pour lesquelles il n'est pas conçu peut être dangereux.
- **Gardez les poignées et les surfaces de prise sèches, propres et exemptes d'huile et de graisse.** Des poignées et des surfaces de prise glissantes empêchent la manipulation et le contrôle sécuritaires de l'outil dans des circonstances imprévues.

UTILISATION ET ENTRETIEN DE LA PILE

- **Ne recharger qu'avec l'appareil spécifié par le fabricant.** Un chargeur approprié pour un type de pile peut créer un risque d'incendie s'il est utilisé avec un autre type de pile.
- **Utiliser exclusivement le bloc-pile spécifiquement indiqué pour l'outil.** L'usage de tout autre bloc peut créer un risque de blessures et d'incendie.
- **Lorsque le bloc-piles n'est pas en usage, le garder à l'écart d'articles tels qu'attaches trombones, pièces de monnaie, clous, vis ou autres petits objets métalliques risquant d'établir le contact entre les deux bornes.** La mise en court-circuit des bornes de piles peut causer des étincelles, des brûlures ou un incendie.
- **En cas d'usage abusif, du liquide peut s'échapper des piles. Éviter tout contact avec ce liquide. En cas de contact accidentel, rincer immédiatement les parties atteintes avec de l'eau. En cas d'éclaboussure dans les yeux consulter un médecin.** Le liquide s'échappant des piles peut causer des irritations ou des brûlures.
- **Ne pas utiliser un bloc-piles ou un outil endommagé ou modifié.** Les piles endommagées ou modifiées peuvent produire un comportement imprévisible pouvant provoquer un incendie, une explosion ou des blessures.
- **Ne pas exposer le bloc-piles ou l'outil près d'un incendie ou à une température extrême.** L'exposition à un incendie ou à une température supérieure à 130°C (265°F) représente un risque d'explosion.
- **Suivre toutes les instructions afférentes à la recharge et ne pas recharger le bloc-piles ou l'outil hors des températures spécifiées dans les instructions.** Une recharge incorrecte ou hors des températures spécifiées peut endommager la pile et augmenter les risques de feu.

DÉPANNAGE

- **Les réparations doivent être confiées à un technicien qualifié, utilisant exclusivement des pièces identiques à celles d'origine.** Ceci assurera le maintien de la sécurité de l'outil.
- **Ne réparez jamais de blocs-piles endommagés.** Seuls le fabricant et les fournisseurs de service autorisés doivent effectuer la réparation ou l'entretien des blocs-piles.

AVERTISSEMENTS DE SÉCURITÉ RELATIFS À L'OUTIL DE SCULPTURE ÉLECTRIQUE

- **Ne pas utiliser des accessoires qui ne sont pas spécialement conçus pour le modèle d'outil ou qui ne sont pas recommandés par le fabricant.** Le simple fait qu'un accessoire peut s'ajuster sur l'outil électrique ne signifie pas qu'il peut être utilisé en toute sécurité.
- **La vitesse nominale des accessoires doit au moins être égale à la vitesse d'opération indiquée sur l'outil électrique.** Les accessoires qui sont utilisés à une vitesse supérieure à leur vitesse nominale peuvent se briser et se détacher.
- **Le diamètre extérieur et l'épaisseur de l'accessoire doivent être conformes à la capacité de l'outil électrique.** Il est impossible de contrôler adéquatement un accessoire de dimension inappropriée.
- **Porter de l'équipement de protection individuelle. Selon le type d'opération, porter un masque de protection ou des lunettes de sécurité. Au besoin, porter également un masque antipoussières, un protecteur d'oreille, des gants et un tablier d'atelier résistant aux petits fragments abrasifs ou aux fragments provenant des pièces à travailler. La protection oculaire utilisée doit résister aux débris projetés lors des différentes opérations.** La protection oculaire utilisée doit résister aux débris projetés lors des différentes opérations. Le masque anti-poussières et le masque filtrant doivent filtrer les particules produites lors de l'opération. Une exposition prolongée à un bruit fort peut entraîner une perte auditive.
- **S'assurer que personne ne se tient à proximité du lieu de travail. Toute personne qui entre sur le lieu de travail doit porter l'équipement de protection requis.** Des fragments provenant de la pièce à travailler ou d'un accessoire brisé peuvent être projetés et causer des blessures, même à des personnes se tenant à une certaine distance du lieu de travail immédiat.
- **Tenir l'outil par ses surfaces de préhension isolées lors des opérations pendant lesquelles l'accessoire de coupe peut entrer en contact avec du câblage caché.** Le contact d'un accessoire de coupe avec un fil sous tension « électrifie » les pièces métalliques exposées de l'outil et could give the operator an electric shock.
- **Utiliser des pinces ou une autre méthode pratique pour fixer, en plus de soutenir, la pièce de travail à une plateforme stable.** Le fait de tenir la pièce de travail dans sa main ou contre son corps crée de l'instabilité et peut mener à une perte de contrôle.
- **Toujours tenir fermement l'outil dans vos mains lors du démarrage.** Le couple de réaction du moteur, lorsque ce dernier accélère jusqu'à pleine vitesse, peut faire tourner l'outil.
- **Ne pas faire fonctionner l'outil électrique à proximité de matériaux inflammables.** Les étincelles peuvent enflammer ces matériaux.

RÈGLES SUPPLÉMENTAIRES DE SÉCURITÉ




- **Apprendre à connaître l'outil. Lire attentivement le manuel d'utilisation. Apprendre les applications et les limites de l'outil, ainsi que les risques spécifiques relatifs à son utilisation.** Le respect de cette consigne réduira les risques d'incendie, de choc électrique et de blessures graves.
- **Toujours porter une protection oculaire munie d'écrans latéraux certifiée conforme à la norme ANSI Z87.1 lors du montage des pièces, du fonctionnement de l'outil ou au moment de l'entretien.** Le respect de cette règle réduira les risques de blessures graves.
- **Protection respiratoire. Porter un masque facial ou un masque anti-poussière si le travail produit de la poussière.** Le respect de cette consigne réduira les risques de blessures graves.
- **Protection auditive. Porter une protection auditive lors de l'utilisation prolongée.** Le respect de cette règle réduira les risques de blessures graves.
- **Vérifier l'état des pièces. Avant d'utiliser l'outil de nouveau examiner soigneusement les pièces et dispositifs de protection qui semblent endommagés afin de déterminer s'ils fonctionnent correctement et s'ils remplissent les fonctions prévues. Vérifier l'alignement des pièces mobiles, s'assurer qu'aucune pièce n'est bloquée ou cassée, vérifier la fixation de chaque pièce et s'assurer qu'aucun autre problème ne risque d'affecter le bon fonctionnement de l'outil. Toute protection ou pièce endommagée doit être correctement réparée ou remplacée dans un centre de réparations agréé.** Le respect de cette consigne réduira les risques de choc électrique, d'incendie et de blessures graves.
- **Inspecter la pièce et retirer les clous éventuels avant d'utiliser cet outil.** Le respect de cette consigne réduira les risques de blessures graves.
- **Les outils fonctionnant sur piles n'ayant pas besoin d'être branchés sur une prise secteur, ils sont toujours en état de fonctionnement. Tenir compte des dangers possibles lorsque l'outil n'est pas en usage et lors du remplacement des piles.** Le respect de cette consigne réduira les risques d'incendie, de choc électrique et de blessures graves.
- **Ne pas placer les outils électriques sans fil ou leurs piles à proximité de flammes ou d'une source de chaleur.** Ceci réduira les risques d'explosion et de blessures.
- **Ne pas écraser, faire tomber ou endommager le bloc-piles. Ne jamais utiliser un bloc-piles ou un chargeur qui est tombé, a été écrasé, a reçu un choc violent ou a été endommagé de quelque façon que ce soit.** Une pile endommagée risque d'exploser. Éliminer immédiatement toute pile endommagée, selon une méthode appropriée.

AVERTISSEMENTS DE SÉCURITÉ RELATIFS À L'OUTIL DE SCULPTURE ÉLECTRIQUE





- **Les piles peuvent exploser en présence d'une source d'allumage, telle qu'une veilleuse.** Pour réduire les risques de blessures graves, ne jamais utiliser un appareil sans fil, quel qu'il soit, en présence d'une flamme vive. En explosant, une pile peut projeter des débris et des produits chimiques. En cas d'exposition, rincer immédiatement les parties atteintes avec de l'eau.
- **Si l'outil est utilisé de façon intensive ou sous des températures extrêmes, des fuites de pile peuvent se produire. En cas de contact du liquide avec la peau, rincer immédiatement la partie atteinte avec de l'eau. En cas d'éclaboussure dans les yeux, les rincer à l'eau fraîche pendant au moins 10 minutes, puis contacter immédiatement un médecin.** Le respect de cette règle réduira les risques de blessures graves.
- **Les lames de l'accessoire ne devraient pas être rangées dans l'outil.** L'outil et l'accessoire devraient être rangés séparément lorsqu'on ne les utilise pas.
- **Conserver ces instructions.** Les consulter fréquemment et les utiliser pour instruire les autres utilisateurs éventuels. Si cet outil est prêté, il doit être accompagné de ces instructions.

SYMBOLES

Les termes de mise en garde suivants et leur signification ont pour but d'expliquer le degré de risques associé à l'utilisation de ce produit.


SYMBOLE	SIGNAL	SIGNIFICATION
	DANGER :	Indique une situation dangereuse qui, si elle n'est pas évitée, aura pour conséquences des blessures graves ou mortelles.
	AVERTISSEMENT :	Indique une situation dangereuse qui, si elle n'est pas évitée, pourrait entraîner des blessures graves ou mortelles.
	ATTENTION :	Indique une situation dangereuse qui, si elle n'est pas évitée, pourrait entraîner des blessures légères ou de gravité modérée.
	AVIS :	(Sans symbole d'alerte de sécurité) Indique les informations jugées importantes sans toutefois représenter un risque de blessure (ex. : messages concernant les dommages matériels).

Certains des symboles ci-dessous peuvent être utilisés sur produit. Veiller à les étudier et à apprendre leur signification. Une interprétation correcte de ces symboles permettra d'utiliser produit plus efficacement et de réduire les risques.

SYMBOLE	NOM	DÉSIGNATION/EXPLICATION
	Symbole d'alerte de sécurité	Indique un risque de blessure potentiel.
	Lire le manuel d'utilisation	Pour réduire les risques de blessures, l'utilisateur doit lire et veiller à bien comprendre le manuel d'utilisation avant d'utiliser ce produit.
	Protection oculaire	Toujours porter une protection oculaire avec écrans latéraux certifiée conforme à la norme ANSI Z87.1. Selon le type d'accessoire utilisé et comme il est indiqué ailleurs dans le Manuel d'utilisation, une protection respiration peut être nécessaire.
	Avertissement concernant l'humidité	Ne pas exposer à la pluie ou l'humidité.

SYMBOLES

Certains des symboles ci-dessous peuvent être utilisés sur produit. Veiller à les étudier et à apprendre leur signification. Une interprétation correcte de ces symboles permettra d'utiliser produit plus efficacement et de réduire les risques.

SYMBOLE	NOM	DÉSIGNATION/EXPLICATION
	Symbole de recyclage	Ce produit utilise les piles de Lithium-ion (Li-ion). Les réglementations locales ou gouvernementales peuvent interdire de jeter les piles dans les ordures ménagères. Consulter les autorités locales compétentes pour les options de recyclage et/ou l'élimination.
V	Volts	Tension
min	Minutes	Temps
==	Courant continu	Type ou caractéristique du courant
n_0	Vitesse à vide	Vitesse de rotation à vide
.../min	Par minute	Tours, coups, vitesse périphérique, orbites, etc., par minute

CARACTÉRISTIQUES

FICHE TECHNIQUE

Coups par minute.....14 000 s/min (SPM)

ASSEMBLAGE

AVERTISSEMENT :

Ne pas utiliser le produit s'il n'est pas complètement assemblé ou si des pièces semblent manquantes ou endommagées. Le fait d'utiliser un produit assemblé de façon inadéquate ou incomplète peut entraîner des blessures graves.

AVERTISSEMENT :

Ne pas essayer de modifier cet produit ou de créer des accessoires non recommandés pour l'produit. De telles altérations ou modifications sont considérées comme un usage abusif et peuvent créer des conditions dangereuses, risquant d'entraîner des blessures graves.

Si des pièces sont manquantes ou endommagées, appeler le 1-800-525-2579.

UTILISATION

⚠ AVERTISSEMENT :

Ne pas laisser la familiarité avec l'outil faire oublier la prudence. Ne pas oublier qu'une fraction de seconde d'inattention peut entraîner des blessures graves.

⚠ AVERTISSEMENT :

Toujours retirer le bloc-pile de l'outil au moment d'assembler des pièces, d'effectuer des réglages, changer d'accessoire, de procéder au nettoyage, ou lorsque l'outil n'est pas utilisé. Si cette précaution n'est pas prise, des objets peuvent être projetés dans les yeux et causer des lésions graves.

⚠ AVERTISSEMENT :

Toujours porter des lunettes de protection dotées d'écrans latéraux conformes à la norme Z87.1 de l'ANSI. Une protection auditive peut également être requise selon le type d'accessoire utilisé et conformément à ce qui est indiqué ailleurs dans le présent manuel d'utilisation. Tout manquement à cette directive pourrait faire en sorte que des objets soient projetés dans vos yeux et ainsi causer des blessures graves.

⚠ AVERTISSEMENT :

Ne pas utiliser d'outils ou accessoires non recommandés par le fabricant pour cet outil. L'utilisation de pièces et accessoires non recommandés peut entraîner des blessures graves.

AVIS :

Afin d'éviter d'endommager la broche ou la commande de verrouillage de la broche, toujours attendre l'arrêt complet du moteur avant d'enclencher la commande de verrouillage de la broche.

APPLICATIONS

Vous pouvez utiliser ce produit pour réaliser des sculptures sur bois.

INSTALLATION/RETRAIT DU BLOC-PILES

Voir la figure 1, page 9.

Pour installer

- Dévisser et retirer le bouchon de piles.
- Insérer la pile dans l'outil comme illustré.
- Placer le couvercle sur le bloc-piles et appuyer dessus jusqu'à ce qu'il rejoigne les filets situés à l'extrémité du outil

- Visser le couvercle solidement.

NOTE : Ne pas tenter d'utiliser ce produit si le couvercle du compartiment des piles n'est pas fixé solidement.

Pour retirer :

- Dévisser et retirer le bouchon de piles.
- Retirer le bloc de piles de l'outil.

FONCTIONS DES TÉMOINS DEL

Voir la figure 1, page 9.

Lorsqu'un bloc-batterie chargé est installé dans l'outil, la lampe à DEL indiquera l'état de la batterie.

ÉTAT DE L'OUTIL	SCÉNARIO DES LUMIÈRES DEL
Pile complètement chargée	Vert en continu
Niveau bas de la pile (5-25%)	Rouge fixe
Niveau bas de la pile (0-5%)	Rouge clignotant (3 clignotements)
Protection contre les surcharges	Rouge clignotant (6 clignotements)
Protection contre les hautes températures	Rouge clignotant (9 clignotements)

PROTECTION CONTRE LES SURCHARGES

La outil arrêtera automatiquement si elle est forcée ou lors d'une surcharge du moteur. Afin de réinitialiser l'outil, attendre 5 secondes, faire glisser le commutateur marche/arrêt à la position « OFF » (arrêt), puis le faire glisser à la position « ON » (marche) pour reprendre le travail. Si l'outil ne fonctionne toujours pas, retirer et réinstaller les bloc-pile. Ne pas forcer l'outil.

PROTECTION CONTRE LES HAUTES TEMPÉRATURES

Le outil est équipé d'un dispositif de protection contre les hautes températures qui désactive automatiquement le produit en cas de surchauffe. Avant de poursuivre le travail, laisser refroidir l'outil, puis mettre le outil.

INSTALLATION/RETRAIT DES ACCESSOIRES

Voir les figures 2 et 3, page 9.

Pour installer :

- Retirer le bloc de piles de l'outil.
- Choisir un accessoire adapté au collet et à l'application tentée.
- En utilisant une de ses mains, faire tourner l'écrou de serrage dans le sens contraire des aiguilles d'une montre pour le desserrer.

UTILISATION

NOTE : Si désiré, l'écrou peut être desserré à l'aide d'une clé. Poser fermement la clé sur l'écrou et tourner dans le sens contraire des aiguilles d'une montre pour le desserrer.

- Insérer la tige de l'accessoire de la lame au centre de l'écrou de serrage jusqu'à ce que la tige soit bien fixée.
- Faire tourner l'écrou de serrage dans le sens des aiguilles d'une montre jusqu'à ce que la lame soit bien fixée. Éviter de trop serrer l'écrou de serrage.

NOTE : Si désiré, l'écrou peut être serré à l'aide d'une clé. Placer la clé sur la partie hexagonale de l'écrou et tourner dans le sens des aiguilles d'une montre pour le serrer.

Retrait :

- Retirer le bloc de piles de l'outil.
- Desserrer l'écrou de serrage.
- Enlever l'accessoire.

DANGER :

Si vous changez un accessoire immédiatement après l'utilisation, assurez-vous de ne pas toucher la douille ou l'accessoire avec vos mains ou vos doigts. Vous allez vous brûler à cause de la chaleur accumulée pendant le fonctionnement. Toujours utiliser les clés qui ont été fournis ou laisser le collet refroidir.

METTRE EN MARCHÉ/ARRÊTER L'OUTIL DE SCULPTURE ELECTRIQUE

Voir la figure 4, page 9.

Pour METTRE EN MARCHÉ l'outil de sculpture électrique, faire glisser l'interrupteur marche-arrêt à la position « ON » (marche). Pour l'ARRÊTER, faire glisser l'interrupteur marche-arrêt à la position « OFF » (arrêt).

FAIRE FONCTIONNER L'OUTIL DE SCULPTURE ELECTRIQUE

Voir les figures 5 et 6 page 10.

Apprendre à utiliser l'outil de sculpture électrique :

- Tenir l'outil dans la main et s'habituer à son poids, équilibre et la forme de son boîtier. Cette forme permet d'empoigner l'outil comme s'il s'agissait d'un crayon ou selon une méthode « prise de type golf ».
- Examiner attentivement les accessoires de l'outil de sculpture électrique. Des accessoires endommagés peuvent se séparer en morceaux lorsqu'ils atteignent une certaine vitesse et ils ne devraient pas être utilisés. L'utilisation des accessoires endommagés pourrait résulter en des blessures corporelles graves.
- Pratiquer d'abord sur des matériaux de rebut pour voir comment l'outil fonctionne. Ne pas oublier pas que le travail est effectué par la vitesse de l'outil et par l'accessoire monté dans la douille de serrage. Vous ne devez pas vous appuyer sur l'outil ni pousser celui-ci dans le matériau.

Il est mieux de passer l'outil plusieurs fois plutôt que de tenter de faire tout le travail d'une seule fois. Retirer un peu de matière à chaque passe jusqu'à l'atteinte de la profondeur voulue. Pour la plupart des tâches, l'approche douce est la meilleure. Vous aller avoir plus de contrôle, faire moins d'erreurs et effectuer un travail efficace avec l'accessoire.

Pour assurer le meilleur contrôle possible pour du travail de précision, tenir l'outil entre le pouce et l'index.

La méthode de prise de l'outil « prise de type golf » est utilisée pour des tâches telles que le ponçage d'une surface plate.

Pour faire fonctionner l'outil de sculpture électrique :

- Tenir l'outil éloigné devant vous, en faisant attention à ce que l'accessoire de l'outil ne touche pas à la pièce à travailler.
- Abaisser l'outil progressivement jusqu'à ce que l'accessoire entre en contact avec la pièce à travailler.
- Appliquer de la pression sur la pièce de travail qui doit être sculptée.
- Bouger l'outil continuellement de façon égale et uniforme.
- Éloigner l'outil de la pièce à travailler avant d'éteindre l'outil.

ENTRETIEN

AVERTISSEMENT :

Utiliser exclusivement des pièces d'origine pour les réparations. L'usage de toute autre pièce pourrait créer une situation dangereuse ou endommager l'produit.

ENTRETIEN GÉNÉRAL

Éviter d'utiliser des solvants pour le nettoyage des pièces en plastique. La plupart des matières plastiques peuvent être endommagées par divers types de solvants du commerce. Utiliser un chiffon propre pour éliminer la saleté, la poussière, l'huile, la graisse, etc.

**ILLUSTRATIONS COMMENÇANT SUR 9 DE PAGE
APRÈS LE SECTION ESPAGNOL.**

ADVERTENCIAS DE SEGURIDAD PARA HERRAMIENTAS ELÉCTRICAS

ADVERTENCIA:

Lea todas las advertencias, instrucciones, ilustraciones y especificaciones proporcionadas con esta herramienta eléctrica. No seguir las instrucciones indicadas a continuación puede provocar descargas eléctricas, incendios o lesiones graves.

Guarde todas las advertencias e instrucciones para consultarlas en el futuro. El término “herramienta eléctrica” en las advertencias se refiere a las herramientas eléctricas que funcionan con corriente (con cordón) o las que funcionan con batería (inalámbricas).

ÁREA DE TRABAJO

- **Mantenga limpia y bien iluminada el área de trabajo.** Un área de trabajo mal despejada o mal iluminada propicia accidentes.
- **No utilice herramientas motorizadas en atmósferas explosivas, como las existentes alrededor de líquidos, gases y polvos inflamables.** Las herramientas eléctricas generan chispas que pueden encender el polvo y los vapores inflamables.
- **Mantenga alejados a los niños y circunstancias al maniobrar una herramienta eléctrica.** Toda distracción puede causar la pérdida del control de la herramienta.

SEGURIDAD ELÉCTRICA

- **Las clavijas de las herramientas eléctricas deben corresponder a las tomas de corriente donde se conectan. Nunca modifique la clavija de ninguna forma. No utilice ninguna clavija adaptadora con herramientas eléctricas dotadas de contacto a tierra.** Conectando las clavijas originales en las tomas de corriente donde corresponden se disminuye el riesgo de una descarga eléctrica.
- **Evite el contacto del cuerpo con las superficies de objetos conectados a tierra, como las tuberías, radiadores, estufas y refrigeradores.** Existe un mayor riesgo de descargas eléctricas si el cuerpo está haciendo tierra.
- **No exponga las herramientas eléctricas a la lluvia ni a condiciones de humedad.** La introducción de agua en una herramienta eléctrica aumenta el riesgo de descargas eléctricas.
- **No maltrate el cordón eléctrico. Nunca utilice el cordón para trasladar, desconectar o tirar de la herramienta eléctrica. Mantenga el cordón lejos del calor, aceite, bordes afilados y piezas móviles.** Los cordones eléctricos dañados o enredados aumentan el riesgo de descargas eléctricas.

- **Al utilizar una herramienta eléctrica a la intemperie, use un cordón de extensión apropiado para el exterior.** Usando un cordón adecuado para el exterior se disminuye el riesgo de descargas eléctricas.
- **Si debe operar una herramienta en lugares húmedos, use un suministro protegido por un interruptor de circuito con pérdida a tierra (GFCI).** El uso de un GFCI reduce el riesgo de descargas eléctricas.
- **Use solamente fuentes USB con certificación “UL Listed” para cargar el dispositivo.** Si no usa una fuente USB con certificación “UL Listed”, podría sufrir un incendio.

SEGURIDAD PERSONAL

- **Permanezca alerta, preste atención a lo que esté haciendo y aplique el sentido común al utilizar herramientas eléctricas. No utilice la herramienta eléctrica si está cansado o se encuentra bajo los efectos de alguna droga, alcohol o medicamento.** Un momento de inatención al utilizar una herramienta eléctrica puede causar lesiones corporales serias.
- **Utilice protección el equipo otros. Siempre póngase protección ocular.** El uso de equipo protector como mascarilla para el polvo, calzado de seguridad, casco y protección para los oídos en las circunstancias donde corresponda disminuye el riesgo de lesiones.
- **Evite que la herramienta se active accidentalmente. Asegúrese de que el interruptor esté en la posición de apagado antes de conectar la herramienta a un suministro de corriente o de colocar un paquete de baterías.** Transportar herramientas eléctricas con el dedo en el interruptor o enchufar herramientas eléctricas que tienen el interruptor encendido puede ocasionar accidentes.
- **Retire toda llave o herramienta de ajuste antes de encender la herramienta eléctrica.** Toda llave o herramienta de ajuste dejada en una pieza giratoria de la herramienta eléctrica puede causar lesiones.
- **No estire el cuerpo para alcanzar mayor distancia. Mantenga una postura firme y buen equilibrio en todo momento.** De esta manera se logra un mejor control de la herramienta eléctrica en situaciones inesperadas.
- **Vístase adecuadamente. No vista ropas holgadas ni joyas. Mantenga el cabello, y la ropa alejados de las piezas móviles.** Las ropas holgadas y las joyas, así como el cabello largo, pueden engancharse en las piezas móviles.
- **Si se suministran dispositivos para conectar mangueras de extracción y captación de polvo, asegúrese de que éstas estén bien conectadas y se usen correctamente.** El uso de la captación de polvo puede reducir los peligros relacionados con éste.

ADVERTENCIAS DE SEGURIDAD PARA HERRAMIENTAS ELÉCTRICAS

- **No permita que la familiaridad obtenida por el uso frecuente de las herramientas lo vuelva complaciente e ignore los principios de seguridad de las herramientas.** Una acción descuidada puede causar lesiones graves en una fracción de segundo.

EMPLEO Y CUIDADO DE LA HERRAMIENTA ELÉCTRICA

- **No fuerce la herramienta eléctrica. Utilice la herramienta eléctrica adecuada para cada trabajo.** La herramienta eléctrica adecuada efectúa mejor y de manera más segura el trabajo, si además se maneja a la velocidad para la que está diseñada.
- **No utilice la herramienta si el interruptor no enciende o no apaga.** Cualquier herramienta eléctrica que no pueda controlarse con el interruptor es peligrosa y debe repararse.
- **Desconecte el enchufe de la fuente de alimentación o retire el paquete de baterías, si es desmontable, de la herramienta eléctrica antes de realizar ajustes, cambiar accesorios o almacenar herramientas eléctricas.** Tales medidas preventivas de seguridad reducen el riesgo de poner en marcha accidentalmente la herramienta.
- **Guarde las herramientas eléctricas desocupadas fuera del alcance de los niños y no permita que las utilicen personas no familiarizadas con las mismas o con estas instrucciones.** Las herramientas eléctricas son peligrosas en manos de personas no capacitadas en el uso de las mismas.
- **Mantenimiento de las herramientas eléctricas y accesorios. Revise para ver si hay desalineación o atoramiento de piezas móviles, ruptura de piezas o toda otra condición que pueda afectar el funcionamiento de la herramienta eléctrica. Si está dañada la herramienta eléctrica, permita que la reparen antes de usarla.** Numerosos accidentes son causados por herramientas eléctricas mal cuidadas.
- **Mantenga las herramientas de corte afiladas y limpias.** Las herramientas de corte bien cuidadas y con bordes bien afilados, tienen menos probabilidad de atascarse en la pieza de trabajo y son más fáciles de controlar.
- **Use la herramienta eléctrica, los accesorios, las brocas, etc. según estas instrucciones, teniendo en cuenta las condiciones de trabajo y la tarea que se va a realizar.** Si se utiliza la herramienta eléctrica para operaciones diferentes de las indicadas podría originar una situación peligrosa.
- **Mantenga los mangos y superficies de agarre limpias y libres de aceite y grasa.** Los mangos y superficies de agarre resbalosas no permiten la manipulación y control seguro de la herramienta en situaciones inesperadas.

EMPLEO Y CUIDADO DE LA HERRAMIENTA DE BATERÍAS

- **Sólo cargue el paquete de baterías con el cargador especificado por el fabricante.** Un cargador adecuado para un tipo paquete de baterías puede significar un riesgo de incendio si se emplea con un paquete de baterías diferente.
- **Utilice las herramientas eléctricas sólo con los paquetes de baterías específicamente indicados.** El empleo de paquetes de baterías diferentes puede presentar un riesgo de incendio.
- **Cuando no esté utilizándose el paquete de baterías, manténgalo lejos de otros objetos metálicos, como clips, monedas, llaves, clavos, tornillos o otros objetos metálicos, pequeños que puedan establecer conexión entre ambas terminales.** Establecer una conexión directa entre las dos terminales de las baterías puede causar quemaduras o incendios.
- **Si se maltratan las baterías, puede derramarse líquido de las mismas; evite todo contacto con éste. En caso de contacto, lávese con agua. Si el líquido llega a tocar los ojos, además busque atención médica.** El líquido de las baterías puede causar irritación y quemaduras.
- **No utilice un paquete de baterías o una herramienta que esté dañado o modificado.** Las baterías dañadas o modificadas pueden tener un funcionamiento impredecible que provoque incendios, explosiones o riesgo de lesiones.
- **No exponga el paquete de baterías o una herramienta al fuego o a temperaturas excesivas.** La exposición al fuego o a temperatura sobre los 130°C (265°F) puede provocar explosiones.
- **Siga todas las instrucciones de carga y no cargue el paquete de baterías ni la herramienta fuera del rango de temperaturas especificado en las instrucciones.** Si realiza la carga en forma incorrecta o fuera de las temperaturas del rango especificado puede dañar la batería y aumentar el riesgo de incendios.

SERVICIO

- **Permita que un técnico de reparación calificado preste servicio a la herramienta eléctrica, y sólo con piezas de repuesto idénticas.** De esta manera se mantiene la seguridad de la herramienta eléctrica.
- **Nunca repare paquetes de baterías dañados.** La reparación de paquetes de baterías solo puede ser realizada por el fabricante o proveedores de servicio autorizados.

ADVERTENCIAS DE SEGURIDAD DE LA GRABADORA ELÉCTRICA

- **No utilice accesorios que no estén específicamente diseñados y recomendados por el fabricante de la herramienta.** El hecho de que el accesorio pueda acoplarse a su herramienta eléctrica no significa que su funcionamiento sea seguro.
- **La velocidad nominal de los accesorios debe ser, al menos, igual a la configuración de velocidad operativa que se indica en la herramienta eléctrica.** Los accesorios que se utilizan a una mayor velocidad que su velocidad nominal pueden romperse y salir lanzados.
- **El diámetro exterior y el espesor del accesorio deben tener la capacidad nominal de su herramienta eléctrica.** Los accesorios de un tamaño incorrecto no pueden controlarse de forma adecuada.
- **Use un equipo de protección personal. Según la aplicación, use protectores faciales, gafas o lentes de seguridad. Según corresponda, use máscaras contra polvo, protectores auditivos, guantes y delantales de trabajo que puedan detener pequeños fragmentos y abrasivos o de la pieza de trabajo. La protección ocular debe proteger de los residuos suspendidos en el aire que se generan por varias operaciones.** La protección ocular debe proteger de los residuos suspendidos en el aire que se generan por varias operaciones. La máscara contra polvo o el respirador deben filtrar las partículas generadas durante el funcionamiento. La exposición prolongada a ruidos de alta intensidad puede producir pérdida auditiva.
- **Mantenga a las personas presentes a una distancia segura del área de trabajo. Todas las personas que ingresen al área de trabajo deben usar equipo de protección personal.** Los fragmentos de la pieza de trabajo o de un accesorio roto pueden salir despedidos y causar lesiones más allá del área próxima al funcionamiento.
- **Sostenga la herramienta eléctrica por los asideros aislados sólo cuando realice una operación en la que el accesorio de corte pueda entrar en contacto con cables ocultos.** El accesorio de corte en contacto con un cable “vivo” puede “cargar” las partes metálicas expuestas de la herramienta eléctrica y dar una descarga eléctrica al operador.
- **Utilice abrazaderas u otra forma práctica de asegurar y apoyar la pieza de trabajo en una plataforma estable.** Si sostiene la pieza de trabajo con la mano o contra el cuerpo, podría ser inestable y ocasionar la pérdida de control.
- **Sostenga siempre la herramienta con las manos de manera firme al encender la herramienta.** El par de torsión de reacción del motor podría hacer que la herramienta gire, ya que acelera a toda velocidad.
- **No utilice la herramienta eléctrica cerca de materiales inflamables.** Las chispas pueden encender estos materiales.

REGLAS ADICIONALES DE SEGURIDAD

- **Familiarícese con su herramienta eléctrica. Lea cuidadosamente el manual del operador. Aprenda sus usos y limitaciones, así como los posibles peligros específicos de esta herramienta.** Con el cumplimiento de esta regla se reduce el riesgo de una descarga eléctrica, incendio o lesión seria.
- **Siempre use protección ocular con laterales protectores con la marca de cumplimiento con la norma ANSI Z87.1 al ensamblar piezas, utilizar la herramienta o llevar a cabo tareas de mantenimiento.** Con el cumplimiento de esta regla se reduce el riesgo de lesiones corporales serias.
- **Protéjase los pulmones. Use una careta o mascarilla contra el polvo si la operación genera mucho polvo.** Con el cumplimiento de esta regla se reduce el riesgo de lesiones serias.
- **Protéjase los oídos. Durante períodos prolongados de utilización del producto, póngase un protecteur d'oreille.** Con el cumplimiento de esta regla se reduce el riesgo de lesiones corporales serias.
- **Revise para ver si hay piezas dañadas. Antes de seguir utilizando la herramienta, es necesario inspeccionar cuidadosamente toda protección o pieza dañada para determinar si funcionará correctamente y desempeñará la función a la que está destinada. Verifique la alineación de las partes móviles, que no haya atoramiento de partes móviles, que no haya piezas rotas, el montaje de las piezas y cualquier otra condición que pudiera afectar su funcionamiento. Toda protección o pieza que esté dañada debe repararse apropiadamente o reemplazarse en un centro de servicio autorizado.** Con el cumplimiento de esta regla se reduce el riesgo de una descarga eléctrica, incendio o lesión grave.
- **Inspeccione la madera y elimine todos los clavos presentes en la misma antes de usar esta herramienta eléctrica.** Seguir esta regla reduce el riesgo de lesiones graves.
- **No se necesita conectar a una toma de corriente las herramientas de baterías; por lo tanto, siempre están en condiciones de funcionamiento. Esté consciente de los posibles peligros cuando no esté usando la herramienta de baterías o cuando esté cambiando los accesorios de la misma.** Con el cumplimiento de esta regla se reduce el riesgo de una descarga eléctrica, incendio o lesión corporal seria.
- **No coloque herramientas de baterías ni las baterías mismas cerca del fuego o del calor.** De esta manera se reduce el riesgo de explosiones y de lesiones.
- **No aplaste, deje caer o dañe de baterías. Nunca utilice una batería o cargador que se ha caído, aplastado, recibido un golpe contundente o ha sido dañado(a) de alguna manera.** Las baterías dañadas pueden sufrir explosiones. Deseche de inmediato toda batería que haya sufrido una caída o cualquier daño.

ADVERTENCIAS DE SEGURIDAD DE LA GRABADORA ELÉCTRICA

- **Las baterías pueden explotar en presencia de fuentes de inflamación, como los pilotos de gas.** Para reducir el riesgo de lesiones serias, nunca use un producto inalámbrico en presencia de llamas expuestas. La explosión de una batería puede lanzar fragmentos y compuestos químicos. Si ha quedado expuesto a la explosión de una batería, lávese de inmediato con agua.
- **En condiciones extremas de uso o temperatura las baterías pueden emanar líquido. Si el líquido llega a tocarle la piel, lávese de inmediato con agua y jabón. Si le entra líquido en los ojos, láveselos con agua limpia por lo menos 10 minutos, y después busque de inmediato atención médica.** Con el cumplimiento de esta regla se reduce el riesgo de lesiones corporales serias.
- **Las hojas accesorias no deben almacenarse en la herramienta.** La herramienta y el accesorio deben almacenarse por separado cuando no estén en uso.
- **Guarde estas instrucciones.** Consúltelas con frecuencia y empléelas para instruir a otras personas que puedan utilizar esta herramienta. Si presta a alguien esta herramienta, facilítele también las instrucciones.

SÍMBOLOS

Las siguientes palabras de señalización y sus significados tienen el objeto de explicar los niveles de riesgo relacionados con este producto.


SÍMBOLO	SEÑAL	SIGNIFICADO
	PELIGRO:	Indica una situación peligrosa, la cual, si no se evita, causará la muerte o lesiones serias.
	ADVERTENCIA:	Indica una situación peligrosa, la cual, si no se evita, podría causar la muerte o lesiones serias.
	PRECAUCIÓN:	Indica una situación peligrosa, la cual, si no se evita, podría causar lesiones menores o leves.
	AVISO:	(Sin el símbolo de alerta de seguridad) Indica la información que se considera importante, pero no relacionada con lesiones potenciales (por ej. en relación a daños a la propiedad).

Es posible que se empleen en este producto algunos de los siguientes símbolos. Le suplicamos estudiarlos y aprender su significado. Una correcta interpretación de estos símbolos le permitirá utilizar mejor y de manera más segura el producto.

SÍMBOLO	NOMBRE	DENOMINACIÓN/EXPLICACIÓN
	Alerta de seguridad	Indica un peligro posible de lesiones personales.
	Lea el manual del operador	Para reducir el riesgo de lesiones, el usuario debe leer y comprender el manual del operador antes de usar este producto.
	Protección ocular	Siempre póngase protección ocular con la marca de cumplimiento de la norma ANSI Z87.1. Es posible que se también requiera una protección respirar, según el tipo de accesorio usado y según se describe en otra parte de éste Manual del operador.
	Alerta de condiciones húmedas	No exponga la unidad a la lluvia ni la use en lugares húmedos.

SÍMBOLOS

Es posible que se empleen en este producto algunos de los siguientes símbolos. Le suplicamos estudiarlos y aprender su significado. Una correcta interpretación de estos símbolos le permitirá utilizar mejor y de manera más segura el producto.

SÍMBOLO	NOMBRE	DENOMINACIÓN/EXPLICACIÓN
	Símbolo de reciclado	Este producto utiliza baterías de iones de litio (Li-ion). Es posible que algunas leyes municipales, estatales o federales prohíban desechar las baterías en la basura normal. Consulte a las autoridades reguladoras de desechos para obtener información en relación con las alternativas de reciclado y desecho disponibles.
V	Volts	Voltaje
min	Minutos	Tiempo
==	Corriente continua	Tipo o característica de corriente
n_0	Velocidad en vacío	Velocidad de rotación, en vacío
.../min	Por minuto	Revoluciones, carreras, velocidad superficial, órbitas, etc., por minuto

CARACTERÍSTICAS

ESPECIFICACIONES DEL PRODUCTO

Carreras por minuto14 000 s/min (SPM)

ARMADO

ADVERTENCIA:

No use este producto si no está totalmente ensamblado o si alguna pieza falta o está dañada. El uso de un producto que no está adecuadamente y completamente ensamblado o posee partes dañadas o faltantes puede resultar en lesiones personales graves.

ADVERTENCIA:

No intente modificar este producto ni hacer accesorios no recomendados para la misma. Cualquier alteración o modificación constituye maltrato, el cual puede causar una condición peligrosa, y como consecuencia posibles lesiones corporales serias.

Si hay piezas dañadas o faltantes, le suplicamos llamar al 1-800-525-2579, donde le brindaremos asistencia.

FUNCIONAMIENTO

⚠ ADVERTENCIA:

No permita que su familiarización con las herramientas lo vuelva descuidado. Tenga presente que un descuido de un instante es suficiente para causar una lesión grave.

⚠ ADVERTENCIA:

Siempre retire el paquete de baterías de la herramienta cuando esté ensamblando partes, realizando ajustes, limpiando o cuando ésta no esté en uso. Retirando el paquete de baterías se evita arrancar accidentalmente la unidad, lo cual puede causar lesiones serias.

⚠ ADVERTENCIA:

Use siempre protección para los ojos que cumpla con ANSI Z87.1. Es posible que también requiera protección auditiva según el tipo de accesorio utilizado y según se prescriba en otra parte de este Manual del operador. Si no lo hace, podrían saltarle objetos a los ojos y podría sufrir otras posibles lesiones graves.

⚠ ADVERTENCIA:

No utilice ningún aditamento o accesorio no recomendado por el fabricante de este producto. El empleo de aditamentos o accesorios no recomendados podría causar lesiones serias.

AVISO:

Para evitar daños en el husillo o el bloqueo del husillo, siempre deje que el motor se detenga por completo antes de activar el bloqueo del husillo.

APLICACIONES

Puede utilizar este producto para tallar madera.

INSTALACIÓN/DESMONTAR DEL PAQUETE DE BATERÍAS

Vea la figura 1, página 9.

Para instalar

- Desatornille y retire la cubierta de baterías.
- Coloque el paquete de baterías en el producto como se muestra.
- Coloque la tapa sobre el paquete de baterías y empuje hasta que la tapa toque las roscas que se encuentran en el extremo de la herramienta.

- Enrosque la tapa firmemente

NOTA: No intente usar este producto si la tapa del paquete de baterías no está firmemente cerrada

Para retirar:

- Desatornille y retire la cubierta de baterías.
- Retire de la herramienta el paquete de baterías.

FUNCIONES DE LAS LUCES LED

Vea la figura 1, página 9.

Cuando haya una batería instalada cargada en la herramienta, la luz LED indicará el estado de la batería.

ESTADO DE LA BATERÍA	ESCENARIO DE LUZ LED
Batería con carga completa	Verde solido
Batería baja (5- 25%)	Rojo sólido
Batería baja (0- 5%)	Rojo parpadeante (3 parpadeos)
Protección contra sobrecargas	Rojo parpadeante (6 parpadeos)
Protección contra alta temperatura	Rojo parpadeante (9 parpadeos)

PROTECCIÓN CONTRA SOBRECARGAS

Cuando se fuerce la herramienta o se sobrecargue el motor, la herramienta se apagará automáticamente. Para restablecer la herramienta, espere 5 segundos, deslice el interruptor de encendido/apagado a la posición de APAGADO y luego deslícelo a la posición de ENCENDIDO para reanudar el funcionamiento. Si la herramienta aún no reanuda el funcionamiento, retire y vuelva a insertar la batería. No fuerce la herramienta.

PROTECCIÓN CONTRA ALTA TEMPERATURA

Su producto cuenta con una función de protección de temperatura alta que desactiva el producto automáticamente si está sobrecalentado. Para reanudar el funcionamiento, permita que la herramienta se enfríe y, luego, encendido la herramienta.

INSTALACIÓN/DESMONTAJE DE LOS ACCESORIOS

Vea las figuras 2 y 3, página 9.

Para instalar:

- Retire de la herramienta el paquete de pilas.
- Elija un accesorio que se ajuste al portaherramientas y que sea adecuado para la aplicación en cuestión.
- Con la mano, gire la tuerca de la abrazadera hacia la izquierda para aflojarla.

NOTA: Si lo desea, puede aflojar la tuerca con una llave. Coloque la llave en la tuerca de forma segura y gírela hacia la izquierda para aflojarla.

FUNCIONAMIENTO

- Inserte el vástago de la hoja accesoria en el centro de la tuerca de la abrazadera hasta que el vástago quede seguro.
- Gire la tuerca de la abrazadera hacia la derecha hasta que la hoja quede segura. Evite apretar excesivamente la tuerca de la abrazadera

NOTA: Si lo desea, puede apretar la tuerca de la abrazadera con una llave. Coloque la llave en el área hexagonal de la tuerca y gire hacia la derecha para apretar.

Para el desmontaje:

- Retire de la herramienta el paquete de pilas.
- Afloje la tuerca de la abrazadera.
- Retire el accesorio.



PELIGRO:

Si planea cambiar un accesorio inmediatamente después de usarlo, tenga cuidado de no tocar el portaherramientas ni el accesorio con las manos o los dedos. Puede quemarse debido al calor acumulado durante su uso. Siempre use la llave suministrada o deje que el portaherramientas se enfríe.

ENCIENDA O APAGUE LA GRABADORA

Vea la figura 4, página 9.

Para encender la grabadora eléctrica, deslice el interruptor de encendido/apagado a la posición de encendido. Para apagar la grabadora eléctrica, deslice el interruptor a la posición de apagado.

CÓMO USAR LA GRABADORA ELÉCTRICA

Vea las figuras 5 y 6, página 10.

Aprenda a usar la grabadora eléctrica

- Sostenga la herramienta con la mano y acostúmbrese a su peso, equilibrio y a la porción cónica del armazón. Esta porción cónica permite sujetar la herramienta como si fuera un lápiz o con el método de “agarre tipo golf”.
- Examine los accesorios de la grabadora eléctrica con cuidado. Los accesorios dañados pueden salir lanzados al tomar velocidad y, por lo tanto, no se los debe utilizar. El uso de accesorios dañados puede producir lesiones serias.
- Practique primero con materiales de desecho para ver cómo funciona la herramienta. Tenga presente que el trabajo es realizado por la velocidad de la herramienta y el accesorio que se encuentra en el portaherramientas. Usted no debe inclinarse sobre la herramienta ni empujarla contra la pieza de trabajo.

Se recomienda hacer una serie de pasadas con la herramienta en lugar de intentar completar todo el trabajo en una sola pasada. Retire un poco de material en cada pasada hasta que alcance la profundidad deseada. Para la mayoría de los trabajos, es mejor usar la herramienta con suavidad; tendrá mayor control, cometerá menos errores y logrará que el accesorio realice un trabajo más eficiente.

Para tener mayor control en un trabajo minucioso, sujete la herramienta como si fuera un lápiz colocándola entre el pulgar y el índice.

Se utiliza el método de “agarre tipo golf” para sujetar la herramienta para operaciones como el esmerilado de una superficie plana.

Para operar la grabadora eléctrica:

- Sostenga la herramienta al frente y lejos de usted, sin que el accesorio de la herramienta toque la pieza de trabajo.
- Encienda la herramienta y deje que el motor y el accesorio alcancen la máxima velocidad.
- Aplique presión sobre la pieza de trabajo para comenzar a grabar.
- Mueva continuamente la herramienta, a un paso estable y uniforme.
- Levante la herramienta para separarla de la pieza de trabajo antes de apagarla.

MANTENIMIENTO



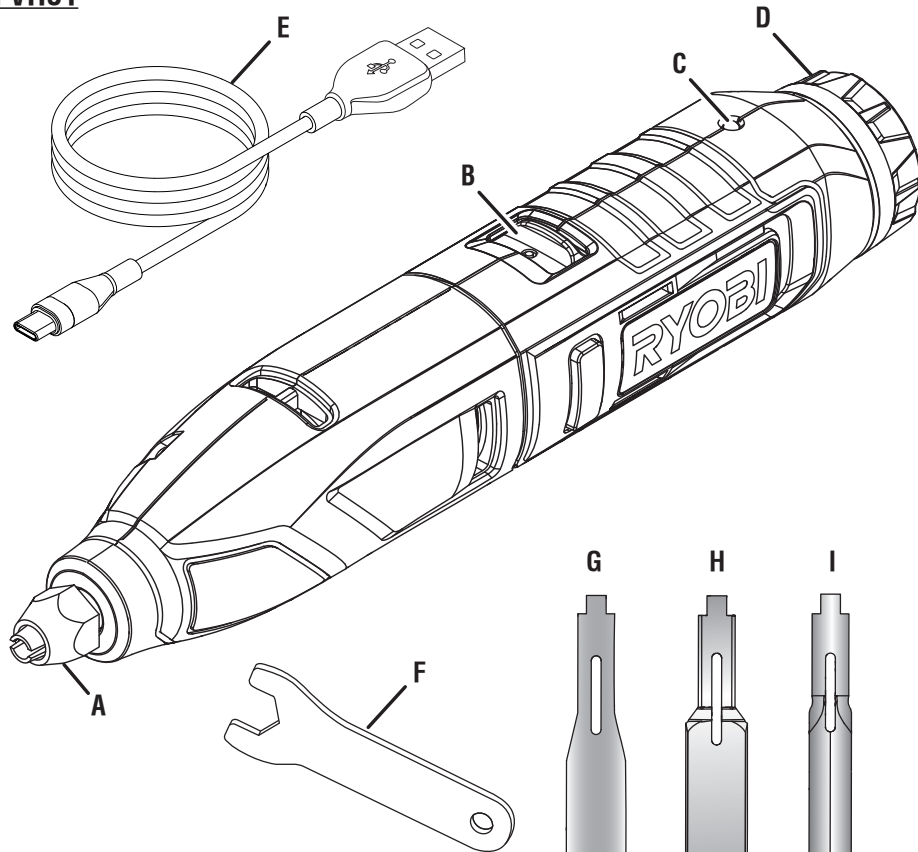
ADVERTENCIA:

Al dar servicio a la unidad, sólo utilice piezas de repuesto idénticas. El empleo de piezas diferentes podría causar un peligro o dañar el producto.

MANTENIMIENTO GENERAL

Evite el empleo de solventes al limpiar piezas de plástico. La mayoría de los plásticos son susceptibles a diferentes tipos de solventes comerciales y pueden resultar dañados. Utilice paños limpios para eliminar la suciedad, el polvo, el aceite, la grasa, etc.

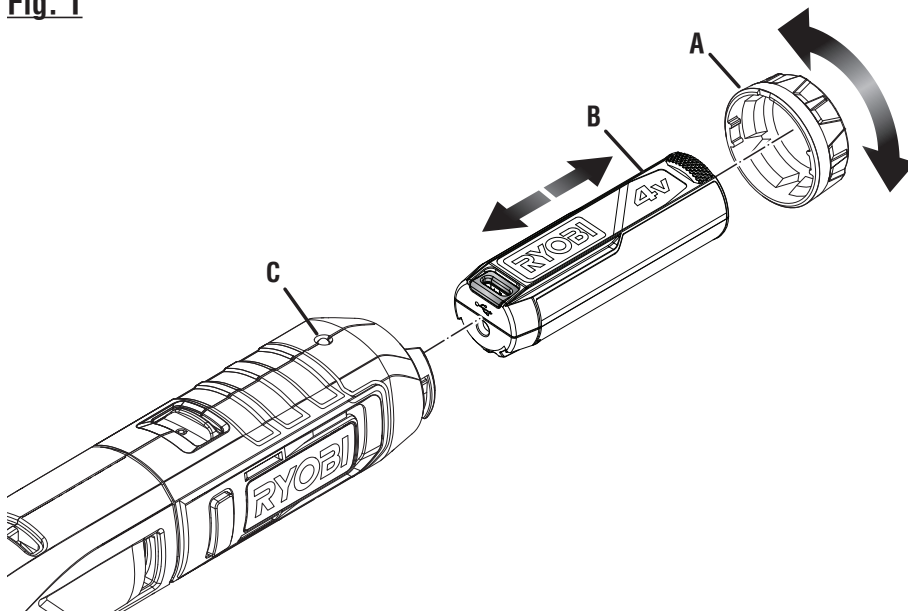
FVH51



- A - Clamp nut (écrou de serrage, tuerca de abrazadera)
- B - On/off switch (commutateur marche/arrêt, interruptor de encendido/apagado)
- C - LED indicator (témoin de DEL, luz indicadora de LED)
- D - Battery cap (bouchon de piles, cubierta de baterías)
- E - USB cable (câble USB, cable USB)
- F - Wrench (clé, llave)

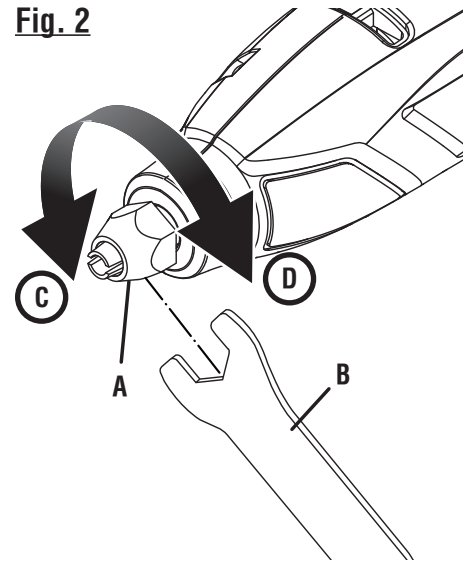
- G - Gouge blade (lame à rainure, hoja gubia)
- H - Straight chisel blade (lame à ciseau droit, hoja de cincel recta)
- I - V-chisel blade (lame à ciseau en V, hoja de cincel en V)

Fig. 1



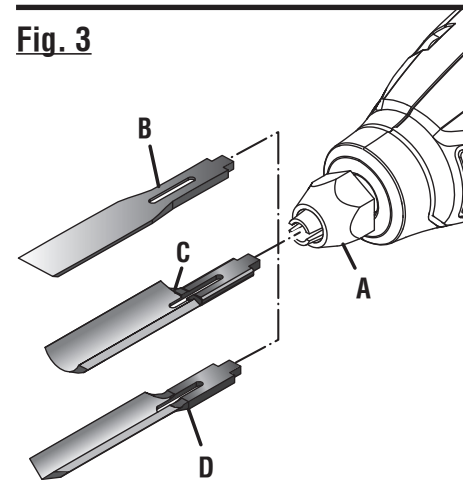
- A - Battery cap (bouchon de piles, cubierta de baterías)
- B - Battery pack (bloc-pile, paquete de batería)
- C - LED indicator (témoin de DEL, luz indicadora de LED)

Fig. 2



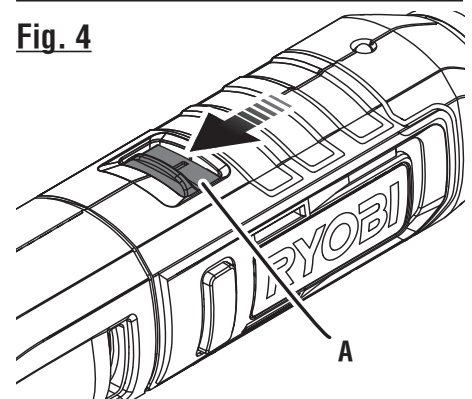
- A - Clamp nut (écrou de serrage, tuerca de abrazadera)
- B - Wrench (clé, llave)
- C - Loosen clamp nut (desserrer l'écrou de serrage, afloje la tuerca de la abrazadera)
- D - Tighten clamp nut (serrer l'écrou de serrage, ajuste la tuerca de la abrazadera)

Fig. 3



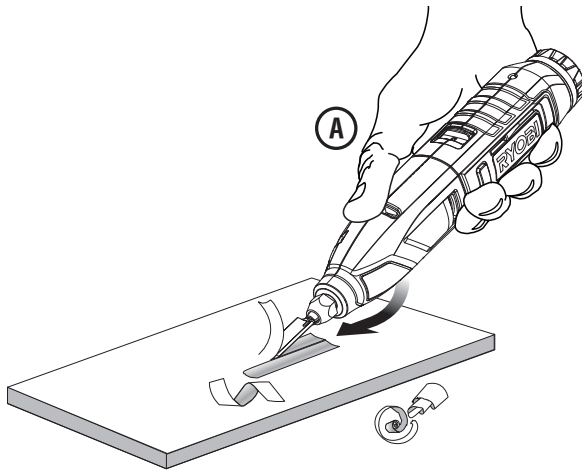
- A - Clamp nut (écrou de serrage, tuerca de abrazadera)
- B - Straight chisel blade (lame à ciseau droit, hoja de cincel recta)
- C - Gouge blade (lame à rainure, hoja gubia)
- D - V-chisel blade (lame à ciseau en V, hoja de cincel en V)

Fig. 4



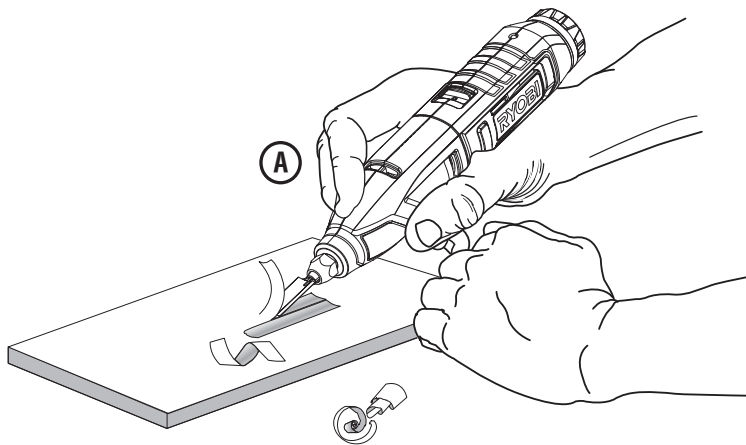
- A - On/off switch (commutateur marche/arrêt, interruptor de encendido/apagado)

Fig. 5

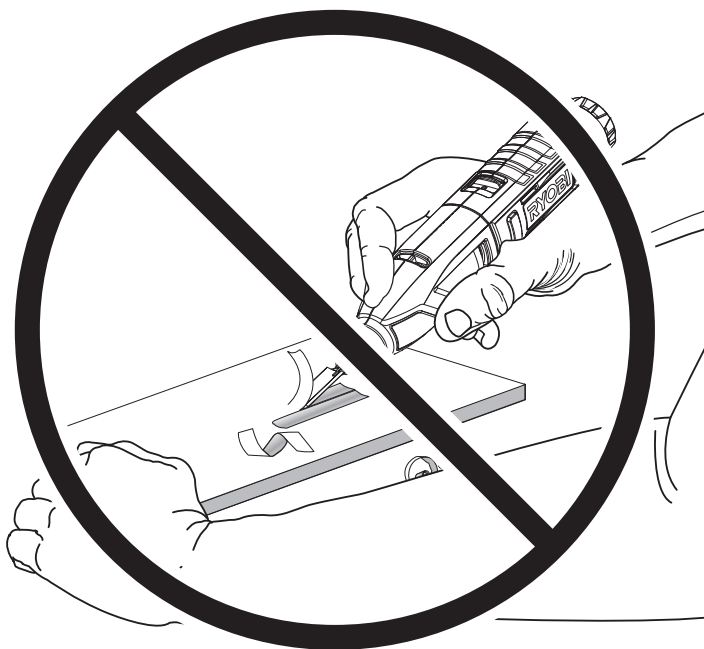


A - "Golf grip" method (méthode « prise de type golf », método de "agarre tipo golf")

Fig. 6



A - "Pencil grip" method (méthode « prise de type crayon », método de "agarre tipo lápiz")





OPERATOR'S MANUAL/USB LITHIUM POWER CARVER
MANUEL D'UTILISATION/OUTIL DE SCULPTURE ÉLECTRIQUE
USB AU LITHIUM
MANUAL DEL OPERADOR/ GRABADORA ELÉCTRICA USB DE
LITIO
FVH51

- **PARTS AND SERVICE:** Prior to requesting service or purchasing replacement parts, please obtain your item, manufacturing, and serial numbers from the product data plate.

ITEM NO.* _____ **MANUFACTURING NO.** _____
SERIAL NO. _____

** Model/item number on product may have additional letters at the end. These letters designate manufacturing information and should be provided when calling for service.*

HOW TO OBTAIN REPLACEMENT PARTS: Replacement parts can be purchased online at www.ryobitools.com or by calling 1-800-525-2579. Replacement parts can also be obtained at one of our service centers.

HOW TO LOCATE A SERVICE CENTER: Service centers can be located online at www.ryobitools.com or by calling 1-800-525-2579.

HOW TO OBTAIN CUSTOMER OR TECHNICAL SUPPORT: To obtain customer or technical support please contact us at 1-800-525-2579.

RYOBI is a registered trademark of Ryobi Limited and is used pursuant to a license granted by Ryobi Limited.

- **PIÈCES ET SERVICE :** Avant de faire la demande de service ou l'achat de pièces de remplacement, veuillez obtenir le numéro d'article, le numéro de fabrication et le numéro de série à partir de la plaque de données du produit.

NUMÉRO D'ARTICLE* _____ **NUMÉRO DE FABRICATION** _____
NUMÉRO DE SÉRIE _____

** Le numéro de modèle/article sur le produit peut contenir des lettres supplémentaires à la fin. Ces lettres désignent les informations du fabricant et doivent être fournies lors d'un appel de demande de service.*

COMMENT OBTENIR LES PIÈCES DE REMPLACEMENT : Les pièces de remplacement peuvent être achetées en ligne sur le site www.ryobitools.com ou par téléphone au 1-800-525-2579. Les pièces de remplacement peuvent être obtenues à un de nos centres de service.

COMMENT TROUVER UN CENTRE DE SERVICE : Les centres de service peuvent être localisés en ligne au www.ryobitools.com ou en téléphonant au 1-800-525-2579.

COMMENT OBTENIR DE L'AIDE EN CONTACTANT LE SERVICE À LA CLIENTÈLE : Pour contacter le service à la clientèle pour une question technique ou pour tout autre renseignement, veuillez nous téléphoner au 1-800-525-2579.

RYOBI est une marque déposée de Ryobi Limited et est utilisée en vertu d'une licence accordée par Ryobi Limited.

- **PIEZAS DE REPUESTO Y SERVICIO:** Antes de solicitar servicio técnico o comprar piezas de repuesto, obtenga su número de artículo, el número de fabricación y el número de serie de la placa de datos del producto.

NÚMERO DE ARTÍCULO* _____ **NÚMERO DE FABRICACIÓN** _____
NÚMERO DE SERIE _____

** El número de modelo/artículo que figura en el producto podría tener letras adicionales al final. Estas designan información de fabricación y deben suministrarse cuando llame para obtener asistencia o servicio.*

CÓMO OBTENER PIEZAS DE REPUESTO: Las piezas de repuesto se pueden comprar en nuestro sitio en la red mundial, en la dirección www.ryobitools.com o llamando al 1-800-525-2579. Las piezas de repuesto también se pueden obtener en uno de nuestros centros de servicio.

CÓMO LOCALIZAR UN CENTRO DE SERVICIO: Puede encontrar los centros de servicio visitando nuestro sitio en la red mundial, en la dirección www.ryobitools.com or by calling 1-800-525-2579.

CÓMO OBTENER SERVICIO O ASISTENCIA TÉCNICA AL CONSUMIDOR: Para obtener servicio o asistencia técnica al consumidor, sírvase comunicarse con nosotros llamando al 1-800-525-2579.

RYOBI es una marca registrada de Ryobi Limited y se utiliza conforme a una licencia otorgada por Ryobi Limited.

TECHTRONIC INDUSTRIES POWER EQUIPMENT

P.O. Box 1288, Anderson, SC 29622, USA
1-800-525-2579 • www.ryobitools.com