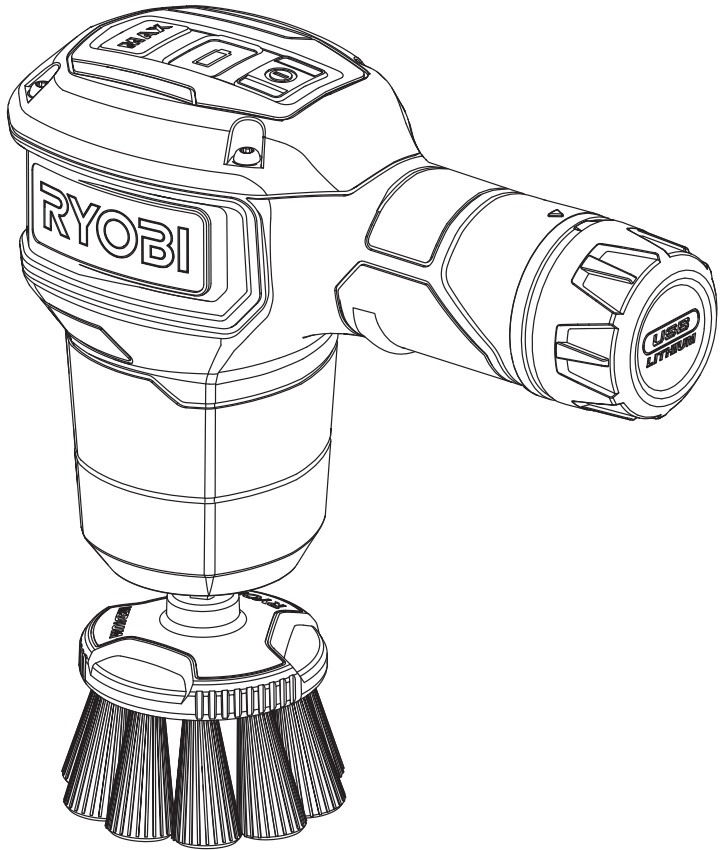




OPERATOR'S MANUAL
MANUEL D'UTILISATION
MANUAL DEL OPERADOR

USB LITHIUM
POWER SCRUBBER
BROSSEUSE ÉLECTRIQUE
DE USB AU LITHIUM
LIMPIADOR ELÉCTRICO
DE IONES DE LITIO USB

FVG51



EN MEXICO:
PARA MÁS INFORMACIÓN
WWW.RYOBITOOLS.MX
CENTROS DE SERVICIO
800-843-1111




TABLE OF CONTENTS

- Important Safety Instructions 2-3
- Power Scrubber Safety Warnings .. 3-4
- Symbols..... 4
- Features.....5
- Assembly5
- Operation..... 5-6
- Maintenance..... 7
- Illustrations 8-9
- Parts Ordering and ServiceBack page

TABLE DES MATIÈRES

- Instructions importantes concernant la sécurité..... 2-3
- Avertissements de sécurité pour la brosseuse électrique 3-4
- Symboles..... 4-5
- Caractéristiques 5
- Assemblage..... 5
- Utilisation 5-7
- Entretien 7
- Illustrations 8-9
- Commande de pièces et dépannagePage arrière

ÍNDICE DE CONTENIDO

- Importantes instrucciones de seguridad..... 2-3
- Advertencias de seguridad del limpiador eléctrico 4
- Símbolos..... 4-5
- Características..... 5
- Armado 5
- Funcionamiento 6-7
- Mantenimiento 7
- Ilustraciones..... 8-9
- Pedidos de piezas y servicio..... Pág. posterior

⚠ WARNING: To reduce the risk of injury, the user must read and understand the operator's manual before using this product.

⚠ AVERTISSEMENT : Pour réduire les risques de blessures, l'utilisateur doit lire et veiller à bien comprendre le manuel d'utilisation avant d'employer ce produit.

⚠ ADVERTENCIA: Para reducir el riesgo de lesiones, el usuario debe leer y comprender el manual del operador antes de usar este producto.

SAVE THIS MANUAL FOR FUTURE REFERENCE

CONSERVER CE MANUEL POUR FUTURE RÉFÉRENCE

GUARDE ESTE MANUAL PARA FUTURAS CONSULTAS

IMPORTANT SAFETY INSTRUCTIONS

WARNING

Read all safety warnings, instructions, illustrations and specifications provided with this power tool. Failure to follow all instructions listed below may result in electric shock, fire and/or serious injury.

- **Save all warnings and instructions for future reference.** The term “power tool” in the warnings refers to your mains-operated (corded) power tool or battery-operated (cordless) power tool.

WORK AREA SAFETY

- **Keep work area clean and well lit.** Cluttered or dark areas invite accidents.
- **Do not operate power tools in explosive atmospheres, such as in the presence of flammable liquids, gases or dust.** Power tools create sparks which may ignite the dust or fumes.
- **Keep children and bystanders away while operating a power tool.** Distractions can cause you to lose control.

ELECTRICAL SAFETY

- **Power tool plugs must match the outlet. Never modify the plug in any way. Do not use any adapter plugs with earthed (grounded) power tools.** Unmodified plugs and matching outlets will reduce risk of electric shock.
- **Avoid body contact with earthed or grounded surfaces, such as pipes, radiators, ranges and refrigerators.** There is an increased risk of electric shock if your body is earthed or grounded.
- **Do not expose the battery pack to rain or wet conditions.** Water entering a power tool will increase the risk of electric shock and fire.
- **Do not abuse the cord. Never use the cord for carrying, pulling or unplugging the power tool. Keep cord away from heat, oil, sharp edges or moving parts.** Damaged or entangled cords increase the risk of electric shock.
- **When operating a power tool outdoors, use an extension cord suitable for outdoor use.** Use of a cord suitable for outdoor use reduces the risk of electric shock.
- **If operating a power tool in a damp location is unavoidable, use a ground fault circuit interrupter (GFCI) protected supply.** Use of a GFCI reduces the risk of electric shock.
- **Use this product only with batteries and chargers listed in tool/appliance/battery pack/charger correlation supplement 999000174.**

PERSONAL SAFETY

- **Stay alert, watch what you are doing and use common sense when operating a power tool. Do not use a power tool while you are tired or under the influence of drugs, alcohol or medication.** A moment of inatten-

tion while operating power tools may result in serious personal injury.

- **Use personal protective equipment. Always wear eye protection.** Protective equipment such as dust mask, non-skid safety shoes, hard hat, or hearing protection used for appropriate conditions will reduce personal injuries.
- **Prevent unintentional starting. Ensure the switch is in the off-position before connecting to power source and/or battery pack, picking up or carrying the tool.** Carrying power tools with your finger on the switch or energizing power tools that have the switch on invites accidents.
- **Remove any adjusting key or wrench before turning the power tool on.** A wrench or a key left attached to a rotating part of the power tool may result in personal injury.
- **Do not overreach. Keep proper footing and balance at all times.** This enables better control of the power tool in unexpected situations.
- **Dress properly. Do not wear loose clothing or jewelry.** Keep your hair, and clothing away from moving parts. Loose clothes, jewelry or long hair can be caught in moving parts.
- **If devices are provided for the connection of dust extraction and collection facilities, ensure these are connected and properly used.** Use of dust collection can reduce dust-related hazards.
- **Do not let familiarity gained from frequent use of tools allow you to become complacent and ignore tool safety principles.** A careless action can cause severe injury within a fraction of a second.
- **Do not wear loose clothing or jewelry. Contain long hair.** Loose clothes, jewelry, or long hair can be drawn into air vents.
- **Do not use on a ladder or unstable support.** Stable footing on a solid surface enables better control of the power tool in unexpected situations.

POWER TOOL USE AND CARE

- **Do not force the power tool. Use the correct power tool for your application.** The correct power tool will do the job better and safer at the rate for which it was designed.
- **Do not use the power tool if the switch does not turn it on and off.** Any power tool that cannot be controlled with the switch is dangerous and must be repaired.
- **Disconnect the plug from the power source and/or remove the battery pack, if detachable, from the power tool before making any adjustments, changing accessories, or storing power tools.** Such preventive safety measures reduce the risk of starting the power tool accidentally.

IMPORTANT SAFETY INSTRUCTIONS

- **Store idle power tools out of the reach of children and do not allow persons unfamiliar with the power tool or these instructions to operate the power tool.** Power tools are dangerous in the hands of untrained users.
- **Maintain power tools and accessories. Check for misalignment or binding of moving parts, breakage of parts and any other condition that may affect the power tool's operation.** If damaged, have the power tool repaired before use. Many accidents are caused by poorly maintained power tools.
- **Use the power tool, accessories and tool bits etc. in accordance with these instructions, taking into account the working conditions and the work to be performed.** Use of the power tool for operations different from those intended could result in a hazardous situation.
- **Keep handles and grasping surfaces clean and free from oil and grease.** Slippery handles and grasping surfaces do not allow for safe handling and control of the tool in unexpected situations.

BATTERY TOOL USE AND CARE

- **Recharge only with the charger specified by the manufacturer.** A charger that is suitable for one type of battery pack may create a risk of fire when used with another battery pack.
- **Use power tools only with specifically designated battery packs.** Use of any other battery packs may create a risk of injury and fire.
- **When battery pack is not in use, keep it away from other metal objects, like paper clips, coins, keys, nails,**

screws or other small metal objects, that can make a connection from one terminal to another. Shorting the battery terminals together may cause burns or a fire.

- **Under abusive conditions, liquid may be ejected from the battery; avoid contact. If contact accidentally occurs, flush with water. If liquid contacts eyes, additionally seek medical help.** Liquid ejected from the battery may cause irritation or burns.
- **Do not use a battery pack or tool that is damaged or modified.** Damaged or modified batteries may exhibit unpredictable behavior resulting in fire, explosion, or risk of injury.
- **Do not expose a battery pack or tool to fire or excessive temperature.** Exposure to fire or temperature above 265° F may cause explosion.
- **Do not charge battery tool in a damp or wet location. Do not use, store, or charge battery packs or products in locations where the temperature is less than 50 °F or more than 100 °F.** Do not store outside or in vehicles.

SERVICE

- **Have your power tool serviced by a qualified repair person using only identical replacement parts.** This will ensure that the safety of the power tool is maintained.
- **Never service damaged battery packs.** Service of battery packs should only be performed by the manufacturer or authorized service providers.

POWER SCRUBBER SAFETY WARNINGS

- **Know your power tool. Read operator's manual carefully. Learn its applications and limitations, as well as the specific potential hazards related to this power tool.** Following this rule will reduce the risk of electric shock, fire, or serious injury.
- **This product is suitable for indoor and outdoor use.**
- **Check to make sure the brush accessory is installed correctly prior to use.**
- **Do not force the scrubber into tight spaces during use.**
- **Do not touch rotating accessories when product is in use.**
- **Battery tools do not have to be plugged into an electrical outlet; therefore, they are always in operating condition. Be aware of possible hazards when not using your battery tool or when changing accessories.** Following this rule will reduce the risk of electric shock, fire, or serious personal injury.

- **Do not place battery tools or their batteries near fire or heat.** This will reduce the risk of explosion and possibly injury.
- **Do not crush, drop or damage battery pack. Do not use a battery pack or charger that has been dropped or received a sharp blow.** A damaged battery is subject to explosion. Properly dispose of a dropped or damaged battery immediately.
- **Batteries can explode in the presence of a source of ignition, such as a pilot light. To reduce the risk of serious personal injury, never use any cordless product in the presence of open flame.** An exploded battery can propel debris and chemicals. If exposed, flush with water immediately.
- **Under extreme usage or temperature conditions, battery leakage may occur. If liquid comes in contact with your skin, wash immediately with soap and water. If liquid gets into your eyes, flush them with clean water for at least 10 minutes, then seek immediate**




POWER SCRUBBER SAFETY WARNINGS

medical attention. Following this rule will reduce the risk of serious personal injury.




■ **Save these instructions.** Refer to them frequently and use them to instruct others who may use this tool. If you loan someone this tool, loan them these instructions also.

SYMBOLS

The following signal words and meanings are intended to explain the levels of risk associated with this product.

SYMBOL	SIGNAL	MEANING
	DANGER:	Indicates a hazardous situation, which, if not avoided, will result in death or serious injury.
	WARNING:	Indicates a hazardous situation, which, if not avoided, could result in death or serious injury.
	CAUTION:	Indicates a hazardous situation, that, if not avoided, may result in minor or moderate injury.
	NOTICE:	(Without Safety Alert Symbol) Indicates information considered important, but not related to a potential injury (e.g. messages relating to property damage).

Some of the following symbols may be used on this product. Please study them and learn their meaning. Proper interpretation of these symbols will allow you to operate the product better and safer.

SYMBOL	NAME	DESIGNATION/EXPLANATION
	Safety Alert	Indicates a potential personal injury hazard.
	Read Operator's Manual	To reduce the risk of injury, user must read and understand operator's manual before using this product.
	Recycle Symbol	This product uses lithium-ion (Li-ion) batteries. Local, state or federal laws may prohibit disposal of batteries in ordinary trash. Consult your local waste authority for information regarding available recycling and/or disposal options.
V	Volts	Voltage
min	Minutes	Time
==	Direct Current	Type or a characteristic of current
n_0	No Load Speed	Rotational speed, at no load
.../min	Per Minute	Revolutions, strokes, surface speed, orbits etc., per minute

FEATURES

PRODUCT SPECIFICATIONS

Motor	4 V DC
No Load Speed (revolutions per minute).....	approx. 175/min (RPM) Low, 300/min (RPM) Max
Waterproof Rating	IPX7*

* IP Rating: Specifies the environmental protection the product enclosure provides. This product has an IPX7 rating meaning it can withstand immersion in water up to 1 meter for up to 30 minutes.

ASSEMBLY

WARNING:

Do not use this product if it is not completely assembled or if any parts appear to be missing or damaged. Use of a product that is not properly and completely assembled or with damaged or missing parts could result in serious personal injury.

WARNING:

Do not attempt to modify this product or create accessories or attachments not recommended for use with this product. Any such alteration or modification is misuse and could result in a hazardous condition leading to possible serious personal injury.

If any parts are damaged or missing, please call 1-800-525-2579 for assistance.

OPERATION

WARNING:

Do not allow familiarity with this product to make you careless. Remember that a careless fraction of a second is sufficient to inflict serious injury.

WARNING:

Battery tools are always in operating condition. Make sure the power button is off and remove the battery pack when the product is not in use or when carrying at your side.

WARNING:

Always remove battery pack from the tool when you are assembling parts, making adjustments, cleaning, or when not in use. Removing battery pack will prevent accidental starting that could cause serious personal injury.

INSTALLING/REMOVING BATTERY PACK

See Figure 1, page 8.

To install:

- Unscrew and remove the battery cap.
- Insert the battery pack into the product as shown.
- Place the cap over the battery pack and push down until the cap meets the threads at the end of the tool.
- Screw the cap on securely.

NOTE: Do not attempt to use this product if the battery cap is not securely closed. The cap is securely closed when the alignment triangle on the tool lines up with the alignment rectangle on the cap.

To remove:

- Unscrew and remove the battery cap.
- Remove the battery pack from the tool.

For complete charging instructions, see the operator's manual for your battery pack.

WARNING:

Do not use any attachments or accessories not recommended by the manufacturer of this product. The use of attachments or accessories not recommended can result in serious personal injury.

APPLICATIONS

You may use this product for the purposes listed below:

- The power scrubber can be used to clean exterior and interior surfaces.
- This product is not for commercial use.

OPERATION

LED LIGHT FUNCTIONS

See Figure 2, page 8.


When a charged battery pack is installed in the tool, the LED light will indicate the status of the tool when the tool is powered on.

TOOL STATUS	LED LIGHT SCENARIO
Operational	Solid Green
Low Battery (5-25%)	Solid Red
Low Battery (0-5%)	Flashing Red (3 Flashes)
Over Current Protection	Flashing Red (6 Flashes)
Over Temperature Protection	Flashing Red (9 Flashes)

SELECTING A BRUSH ACCESSORY

Selecting the correct type of brush accessory is important in order to obtain the best performance from the power scrubber. Select the brush accessory based on the application and on the surface you wish to clean. Selecting the right brush accessory will help you clean more efficiently and protect the surface being cleaned. To reduce the risk of property damage, always test the brush in an inconspicuous area of a surface before beginning a project.

NOTE: A brush accessory with medium bristles is included with your power scrubber. Brush accessories with hard and soft bristles can be purchased where you bought this product.

BRUSH ACCESSORY SELECTION GUIDE	
	Soft Bristle (Blue) Light Duty Cleaning
	Medium Bristle (Green) General Purpose Cleaning
	Hard Bristle (Gray) Heavy Duty Cleaning

STARTING/STOPPING THE POWER SCRUBBER

See Figure 2, page 8.

To start the motor:

- Fully depress the on/off button to start the motor.

NOTE: When the motor is on, the brush accessory will spin continuously.

- Press the MAX button for Max Speed.
- Press the MAX button again to return to normal operating speed.

To stop the motor:

- Fully depress the on/off button to stop the motor.

NOTE: When the motor is off, the brush accessory will stop spinning.

INSTALLING/REMOVING BRUSH ACCESSORIES

See Figure 3, page 8.

Insert the accessory into the collet and push it in as far as possible. To remove an accessory, pull it straight out of the collet.

OPERATING THE POWER SCRUBBER

See Figure 4, page 8.

- Select the appropriate brush accessory.
- Hold the scrubber firmly against the surface.
- Fully depress the on/off button to start the power scrubber.
- Move the unit forward and back over the surface to be cleaned.

NOTE: Move slowly when learning to use the unit and when scrubbing tough or difficult stains.

NOTE: Do not press down on the unit or keep the unit in one place over an extended period of time. Doing so could damage the surface being cleaned.

- When scrubbing is complete, fully depress the on/off button to turn the motor off, and wait for the brush accessory to stop spinning.
- Remove the brush accessory as described earlier and clean thoroughly.

NOTICE:

Dirt and debris can damage delicate surfaces. Thoroughly rinse the brush accessory before use and continue to do so at regular intervals during use. Thoroughly clean the brush accessory after use. Allow to dry and always store brush accessory without bending the bristles.

MAINTENANCE

WARNING:

When servicing, use only identical replacement parts. Use of any other part could create a hazard or cause product damage.

WARNING:

To avoid serious personal injury, always remove the battery pack from the tool when cleaning, performing any maintenance, or when storing the tool.

GENERAL MAINTENANCE

Avoid using solvents when cleaning plastic parts. Most plastics are susceptible to damage from various types of commercial solvents and can be damaged by their use. Use clean cloths to remove dirt, dust, oil, grease, etc.

WARNING:

Do not at any time let brake fluids, gasoline, petroleum-based products, penetrating oils, etc., come in contact with plastic parts. Chemicals can damage, weaken or destroy plastic which could result in serious personal injury.

REPLACING THE BRUSH ACCESSORY

See Figure 3, page 8.

After extended use, the brush accessory may wear and need replacing. If you drop the tool and damage the brush accessory, it may also be necessary for you to replace it. Refer to **Installing/Removing Brush Accessories** earlier in this manual.

NOTE: ILLUSTRATIONS START ON PAGE 8 AFTER FRENCH AND SPANISH LANGUAGE SECTIONS.

INSTRUCTIONS IMPORTANTES CONCERNANT LA SÉCURITÉ



AVERTISSEMENT

Lire les avertissements de sécurité, les instructions et les précisions et consulter les illustrations fournis avec cet outil électrique. Le fait de ne pas se conformer à l'ensemble des consignes présentées ci-dessous risque d'entraîner des décharges électriques, un incendie et/ou des blessures graves.

Conserver les avertissements et les instructions à des fins de référence ultérieure. Le terme « outil motorisé », utilisé dans tous les avertissements ci-dessous désigne tout outil fonctionnant sur secteur (câblé) ou sur piles (sans fil).

SÉCURITÉ DU LIEU DE TRAVAIL

- **Garder le lieu de travail propre et bien éclairé.** Les endroits encombrés ou sombres sont propices aux accidents.
- **Ne pas utiliser d'outils électriques dans des atmosphères explosives, par exemple en présence de liquides, gaz ou poussières inflammables.** Les outils électriques produisent des étincelles risquant d'enflammer les poussières ou vapeurs.
- **Garder les enfants et badauds à l'écart pendant l'utilisation d'un outil électrique.** Les distractions peuvent causer une perte de contrôle.

SÉCURITÉ ÉLECTRIQUE

- **Les fiches des outils électriques doivent correspondre à la prise secteur utilisée. Ne jamais modifier la fiche, de quelque façon que ce soit. Ne jamais utiliser d'adaptateurs de fiche avec des outils mis à la terre.** Les fiches et prises non modifiées réduisent le risque de choc électrique.
- **Éviter tout contact du corps avec des surfaces mises à la terre, telles que tuyaux, radiateurs, cuisinières et réfrigérateurs.** Le risque de choc électrique est accru lorsque le corps est mis à la terre.
- **Ne pas exposer le bloc-pile à la pluie ou à l'humidité.** L'infiltration d'eau dans le bloc d'alimentation accroît le risque de décharge électrique et d'incendie.
- **Ne pas maltraiter le cordon d'alimentation. Ne jamais utiliser le cordon d'alimentation pour transporter l'outil et ne jamais débrancher ce dernier en tirant sur le cordon. Garder le cordon à l'écart de la chaleur, de l'huile, des objets tranchants et des pièces en mouvement.** Un cordon endommagé ou emmêlé accroît le risque de choc électrique.
- **Pour les travaux à l'extérieur, utiliser un cordon spécialement conçu à cet effet.** Utiliser un cordon conçu pour l'usage extérieur pour réduire les risques de choc électrique.

- **S'il est nécessaire d'utiliser l'outil électrique dans un endroit humide, employer un dispositif interrupteur de défaut à la terre (GFCI).** L'utilisation d'un GFCI réduit le risque de décharge électrique.
- **Utiliser ce produit seulement avec les piles et les chargeurs indiqués dans le supplément de raccordement pour chargeur/outils/piles/appareil n° 999000174.**

SÉCURITÉ PERSONNELLE

- **Rester attentif, prêter attention au travail et faire preuve de bon sens lors de l'utilisation de tout outil électrique. Ne pas utiliser cet outil en état de fatigue ou sous l'influence de l'alcool, de drogues ou de médicaments.** Un moment d'inattention pendant l'utilisation d'un outil électrique peut entraîner des blessures graves.
- **Utiliser l'équipement de sécurité. Toujours porter une protection oculaire.** L'équipement de sécurité, tel qu'un masque filtrant, de chaussures de sécurité, d'un casque ou d'une protection auditive, utilisé dans des conditions appropriées réduira le risque de blessures.
- **Éviter les démarrages accidentels. S'assurer que le commutateur est en position d'arrêt avant de brancher l'outil.** Porter un outil avec le doigt sur son commutateur ou brancher un outil dont le commutateur est en position de marche peut causer un accident.
- **Retirer les clés de réglage avant de mettre l'outil en marche.** Une clé laissée sur une pièce rotative de l'outil peut causer des blessures.
- **Ne pas travailler hors de portée. Toujours se tenir bien campé et en équilibre.** Ceci permettra de mieux contrôler l'outil en cas de situation imprévue.
- **Porter une tenue appropriée. Ne porter ni vêtements amples, ni bijoux.** Garder les cheveux, et les vêtements à l'écart des pièces en mouvement. Les vêtements amples, bijoux et cheveux longs peuvent se prendre dans les pièces en mouvement.
- **Si les outils sont équipés de dispositifs de dépoussiérage, s'assurer qu'ils sont connectés et correctement utilisés.** L'usage de ces dispositifs de dépoussiérage peut réduire les dangers présentés par la poussière.
- **Malgré votre expérience acquise par l'utilisation fréquente des outils, soyez toujours vigilant et respectez les principes de sécurité relatifs aux outils.** Il s'agit d'une fraction de seconde pour qu'un geste irréfléchi puisse causer de graves blessures.
- **Ne porter ni vêtements amples, ni bijoux. Attacher ou couvrir les cheveux longs.** Les vêtements amples, bijoux et cheveux longs peuvent se prendre dans les ouïes d'aération.
- **Ne pas utiliser l'outil sur une échelle ou un support instable.** Une bonne tenue et un bon équilibre permettent de mieux contrôler l'outil en cas de situation imprévue.

INSTRUCTIONS IMPORTANTES CONCERNANT LA SÉCURITÉ

UTILISATION ET ENTRETIEN DES OUTILS ÉLECTRIQUES

- **Ne pas forcer l'outil. Utiliser l'outil approprié pour l'application.** Un outil approprié exécutera le travail mieux et de façon moins dangereuse s'il est utilisé dans les limites prévues.
- **Ne pas utiliser l'outil si le commutateur ne permet pas de le mettre en marche ou de l'arrêter.** Tout outil qui ne peut pas être contrôlé par son commutateur est dangereux et doit être réparé.
- **Débrancher l'outil et/ou retirer le bloc-piles avant d'effectuer des réglages, de changer d'accessoire ou de remiser l'outil.** Ces mesures de sécurité préventives réduisent les risques de démarrage accidentel de l'outil.
- **Ranger les outils motorisés hors de la portée des enfants et ne laisser personne n'étant pas familiarisé avec l'outil ou ces instructions utiliser l'outil.** Dans les mains de personnes n'ayant pas reçu des instructions adéquates, les outils sont dangereux.
- **Entretenir les outils motorisés. Vérifier qu'aucune pièce mobile n'est mal alignée ou bloquée, qu'aucune pièce n'est brisée et s'assurer qu'aucun autre problème ne risque d'affecter le bon fonctionnement de l'outil. En cas de dommages faire réparer l'outil avant de l'utiliser de nouveau.** Beaucoup d'accidents sont causés par des outils mal entretenus.
- **Utiliser l'outil, les accessoires et embouts, etc. conformément à ces instructions pour les applications pour lesquelles ils sont conçus, en tenant compte des conditions et du type de travail à exécuter.** L'usage d'un outil motorisé pour des applications pour lesquelles il n'est pas conçu peut être dangereux.
- **Gardez les poignées et les surfaces de prise propres et exemptes d'huile et de graisse.** Des poignées et des surfaces de prise glissantes empêchent la manipulation et le contrôle sécuritaires de l'outil dans des circonstances imprévues.

UTILISATION ET ENTRETIEN DE LA PILE

- **Ne recharger qu'avec l'appareil spécifié par le fabricant.** Un chargeur approprié pour un type de pile peut créer un risque d'incendie s'il est utilisé avec un autre type de pile.
- **Utiliser exclusivement le bloc-pile spécifiquement indiqué pour l'outil.** L'usage de tout autre bloc peut créer un risque de blessures et d'incendie.
- **Lorsque le bloc-piles n'est pas en usage, le garder à l'écart d'articles tels qu'attaches trombones, pièces de monnaie, clous, vis ou autres petits objets métalliques risquant d'établir le contact entre les deux bornes.** La mise en court-circuit des bornes de piles peut causer des étincelles, des brûlures ou un incendie.
- **En cas d'usage abusif, du liquide peut s'échapper des piles. Éviter tout contact avec ce liquide. En cas de contact accidentel, rincer immédiatement les parties atteintes avec de l'eau. En cas d'éclaboussure dans les yeux consulter un médecin.** Le liquide s'échappant des piles peut causer des irritations ou des brûlures.
- **Ne pas utiliser un bloc-piles ou un outil endommagé ou modifié.** Les piles endommagées ou modifiées peuvent produire un comportement imprévisible pouvant provoquer un incendie, une explosion ou des blessures.
- **Ne pas exposer le bloc-piles ou l'outil près d'un incendie ou à une température extrême.** L'exposition à un incendie ou à une température supérieure à 130 °C (265 °F) représente un risque d'explosion.
- **Suivre toutes les instructions afférentes à la recharge et ne pas recharger le bloc-piles ou l'outil hors des températures spécifiées dans les instructions.** Une recharge incorrecte ou hors des températures spécifiées peut endommager la pile et augmenter les risques de feu.

DÉPANNAGE

- **Les réparations doivent être confiées à un technicien qualifié, utilisant exclusivement des pièces identiques à celles d'origine.** Ceci assurera le maintien de la sécurité de l'outil.
- **Ne réparez jamais de blocs-piles endommagés.** Seuls le fabricant et les fournisseurs de service autorisés doivent effectuer la réparation ou l'entretien des blocs-piles.

AVERTISSEMENTS DE SÉCURITÉ POUR LA BROSSEUSE ÉLECTRIQUE




- **Apprendre à connaître l'outil. Lire attentivement le manuel d'utilisation. Apprendre les applications et les limites de l'outil, ainsi que les risques spécifiques relatifs à son utilisation.** Le respect de cette consigne réduira les risques d'incendie, de choc électrique et de blessures graves.
- **Ce produit convient pour l'usage d'intérieur et extérieur.**
- **Vérifier que l'accessoire de brosse est correctement installé avant l'utilisation.**
- **Ne pas forcer la brosseuse dans des espaces restreints pendant son utilisation.**
- **Ne pas toucher les accessoires en rotation lorsque le produit est utilisé.**

AVERTISSEMENTS DE SÉCURITÉ POUR LA BROSSEUSE ÉLECTRIQUE




- **Les outils fonctionnant sur piles n'ayant pas besoin d'être branchés sur une prise secteur, ils sont toujours en état de fonctionnement. Tenir compte des dangers possibles lorsque l'outil n'est pas en usage et lors du remplacement des piles.** Le respect de cette consigne réduira les risques d'incendie, de choc électrique et de blessures graves.
- **Ne pas placer les outils électriques sans fil ou leurs piles à proximité de flammes ou d'une source de chaleur.** Ceci réduira les risques d'explosion et de blessures.
- **Ne pas écraser, faire tomber ou endommager le bloc-piles. Ne jamais utiliser un bloc-piles ou un chargeur qui est tombé, a été écrasé, a reçu un choc violent ou a été endommagé de quelque façon que ce soit.** Une pile endommagée risque d'exploser. Éliminer immédiatement toute pile endommagée, selon une méthode appropriée.
- **Les piles peuvent exploser en présence d'une source d'allumage, telle qu'une veilleuse.** Pour réduire les risques de blessures graves, ne jamais utiliser un appareil sans fil, quel qu'il soit, en présence d'une flamme vive. En explosant, une pile peut projeter des débris et des produits chimiques. En cas d'exposition, rincer immédiatement les parties atteintes avec de l'eau.
- **Si l'outil est utilisé de façon intensive ou sous des températures extrêmes, des fuites de pile peuvent se produire. En cas de contact du liquide avec la peau, rincer immédiatement la partie atteinte avec de l'eau. En cas d'éclaboussure dans les yeux, les rincer à l'eau fraîche pendant au moins 10 minutes, puis contacter immédiatement un médecin.** Le respect de cette règle réduira les risques de blessures graves.
- **Conserver ces instructions.** Les consulter fréquemment et les utiliser pour instruire les autres utilisateurs éventuels. Si cet outil est prêté, il doit être accompagné de ces instructions.

SYMBOLES

Les termes de mise en garde suivants et leur signification ont pour but d'expliquer le degré de risques associé à l'utilisation de ce produit.

SYMBOLE	SIGNAL	SIGNIFICATION
	DANGER :	Indique une situation dangereuse qui, si elle n'est pas évitée, aura pour conséquences des blessures graves ou mortelles.
	AVERTISSEMENT :	Indique une situation dangereuse qui, si elle n'est pas évitée, pourrait entraîner des blessures graves ou mortelles.
	ATTENTION :	Indique une situation dangereuse qui, si elle n'est pas évitée, pourrait entraîner des blessures légères ou de gravité modérée.
	AVIS :	(Sans symbole d'alerte de sécurité) Indique les informations jugées importantes sans toutefois représenter un risque de blessure (ex. : messages concernant les dommages matériels).

Certains des symboles ci-dessous peuvent être utilisés sur produit. Veiller à les étudier et à apprendre leur signification. Une interprétation correcte de ces symboles permettra d'utiliser produit plus efficacement et de réduire les risques.

SYMBOLE	NOM	DÉSIGNATION / EXPLICATION
	Symbole d'alerte de sécurité	Indique un risque de blessure potentiel.
	Lire manuel d'utilisation	Pour réduire les risques de blessures, l'utilisateur doit lire et veiller à bien comprendre le manuel d'utilisation avant d'utiliser ce produit.
	Symbole de recyclage	Ce produit utilise les piles de lithium-ion (Li-ion). Les réglementations locales ou gouvernementales peuvent interdire de jeter les piles dans les ordures ménagères. Consulter les autorités locales compétentes pour les options de recyclage et/ou l'élimination.

SYMBOLES

Certains des symboles ci-dessous peuvent être utilisés sur produit. Veiller à les étudier et à apprendre leur signification. Une interprétation correcte de ces symboles permettra d'utiliser produit plus efficacement et de réduire les risques.

SYMBOLE	NOM	DÉSIGNATION / EXPLICATION
V	Volts	Tension
min	Minutes	Temps
—	Courant continu	Type ou caractéristique du courant
n_0	Vitesse à vide	Vitesse de rotation à vide
.../min	Par minute	Tours, coups, vitesse périphérique, orbites, etc., par minute

CARACTÉRISTIQUES

FICHE TECHNIQUE

Moteur 4 V c.c.

Vitesse à vide (tours minute) environ 175/min (RPM) Basse, 300/min (RPM) MAX

Imperméable à l'eau IPX7*

* Taux d'étanchéité : Précise la protection environnementale dont profite le boîtier. Ce produit a une classification IPX7, ce qui signifie qu'il peut résister à une immersion dans l'eau jusqu'à 1 m pendant 30 minutes maximum.

ASSEMBLAGE

AVERTISSEMENT :

Ne pas utiliser le produit s'il n'est pas complètement assemblé ou si des pièces semblent manquantes ou endommagées. L'utilisation d'un produit dont l'assemblage est incorrect ou incomplet ou comportant des pièces endommagées ou absentes représente un risque de blessures graves.

AVERTISSEMENT :

Ne pas essayer de modifier cet outil ou de créer des pièces et accessoires non recommandés. De telles altérations ou modifications sont considérées comme un usage abusif et peuvent créer des conditions dangereuses, risquant d'entraîner des blessures graves.

Si des pièces manquent ou sont endommagées, veuillez appeler au 1-800-525-2579 pour obtenir de l'aide.

UTILISATION

AVERTISSEMENT :

Ne pas laisser la familiarité avec l'outil faire oublier la prudence. Ne pas oublier qu'une fraction de seconde d'inattention peut entraîner des blessures graves.

AVERTISSEMENT :

Ne pas utiliser d'outils ou accessoires non recommandés par le fabricant pour cet outil. L'utilisation de pièces et accessoires non recommandés peut entraîner des blessures graves.

AVERTISSEMENT :

Toujours retirer la bloc-pile de l'outil au moment d'assembler des pièces, d'effectuer des réglages et de procéder au nettoyage, ou lorsque l'outil n'est pas utilisé. Si cette précaution n'est pas prise, des objets peuvent être projetés dans les yeux et causer des lésions graves.

APPLICATIONS

Cet outil ne doit être utilisé que pour les applications listées ci-dessous.

- La brosseuse électrique peut être utilisée pour nettoyer les surfaces extérieures et intérieures.
- Ce produit n'est pas à usage commercial.

UTILISATION

AVERTISSEMENT :

Les outils à piles sont toujours en état de fonctionnement. S'assurer que le bouton d'alimentation est éteint et retirer le bloc-piles lorsque le produit n'est pas utilisé ou lorsqu'il est porté à votre côté.

INSTALLATION / RETRAIT DU BLOC-PILES

Voir la figure 1, page 8.

Pour installer

- Dévisser et retirer le bouchon de piles.
- Insérer la pile dans l'outil comme illustré.
- Placer le couvercle sur le bloc-piles et appuyer dessus jusqu'à ce qu'il rejoigne les filets situés à l'extrémité de l'outil
- Visser le couvercle solidement.

NOTE : Ne pas tenter d'utiliser ce produit si le couvercle du compartiment des piles n'est pas fixé solidement. Le bouchon est bien fermé lorsque le triangle d'alignement de l'outil est aligné avec le rectangle d'alignement du bouchon.

Pour retirer :

- Dévisser et retirer le bouchon de piles.
- Retirer le bloc de piles de l'outil.

Pour prendre connaissance des consignes de chargement, consulter le manuel d'utilisation des piles.

FONCTIONS DES TÉMOINS DEL

Voir la figure 2, page 8.

Lorsqu'un bloc-batterie chargé est installé dans l'outil, le voyant DEL indique l'état de l'outil lorsque l'outil est sous tension.

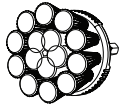

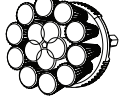
ÉTAT DE L'OUTIL	SCÉNARIO DES LUMIÈRES DEL
Utilisation	Vert en continu
Niveau bas de la pile (5-25%)	Rouge en continu
Niveau bas de la pile (0-5%)	Rouge clignotant (3 clignotements)
Protection contre surintensité	Rouge clignotant (6 clignotements)
Protection de surchauffe	Rouge clignotant (9 clignotements)

CHOIX DE ACCESSOIRES DE BROSSE

Il est important de sélectionner le bon type d'accessoire de brosse afin d'obtenir les meilleures performances. Sélectionner l'accessoire de brosse en fonction de l'application et de la surface à nettoyer. La sélection du bon accessoire de brosse vous aidera à nettoyer plus efficacement et à protéger la surface à nettoyer. Avant de commencer un

projet, toujours tester la brosse dans une zone peu visible de la surface afin de réduire les risques de dommages matériels.

NOTE : Un accessoire de brosse à poils moyens est inclus avec votre brosseuse électrique. Vous pouvez acheter des accessoires de brosse à poils durs et doux à l'endroit où vous avez acheté ce produit.

GUIDE DE SÉLECTION DES ACCESSOIRES DE BROSSE	
	Poils doux (bleus) Nettoyage légers
	Poils moyens (verts) Nettoyage générale
	Poils durs (gris) Nettoyage à haut rendement

MISE EN MARCHÉ ET ARRÊT DU BROSSEUSE ÉLECTRIQUE

Voir la figure 2, page 8.

Pour faire démarrer le moteur :

- Appuyer complètement sur le bouton marche/arrêt pour démarrer le moteur.

NOTE : Lorsque le moteur est en marche, l'accessoire de brosse tourne continuellement.

- Appuyer sur le bouton « MAX » pour obtenir la vitesse maximale.
- Appuyer de nouveau sur le bouton « MAX » pour revenir à la vitesse normale.

Pour faire arrancer le moteur :

- Appuyer complètement sur le bouton marche/arrêt pour arrancer le moteur.

NOTE : Lorsque le moteur est éteint, l'accessoire de brosse cesse de tourner.

INSTALLATION/RETRAIT DES ACCESSOIRES DE BROSSE

Voir la figure 3, page 8.

- Insérer l'accessoire le plus profondément possible dans le collet. Pour retirer un accessoire, le tirer tout droit hors du collet.

UTILISATION DE LA BROSSEUSE ÉLECTRIQUE

Voir la figure 4, page 8.

- Sélectionner l'accessoire de brosse approprié.
- Tenir la brosseuse fermement contre la surface.

UTILISATION

■ Appuyer à fond sur le bouton marche/arrêt pour faire démarrer la brosseuse électrique.

■ Déplacer l'unité vers l'avant et l'arrière sur la surface à nettoyer.

NOTE : Se déplacer lentement lorsque vous apprenez à utiliser l'appareil et lorsque vous frottez des taches tenaces ou difficiles.

NOTE : Ne pas appuyer sur l'appareil et ne pas le maintenir au même endroit pendant une période prolongée. Cela pourrait endommager la surface à nettoyer.

■ Lorsque le brossage est terminé, appuyer à fond sur le bouton marche/arrêt pour éteindre le moteur, et attendre que l'accessoire de brosse cesse de tourner.

■ Retirer l'accessoire de brosse tel que décrit précédemment et le nettoyer soigneusement.

AVIS :

La saleté et les débris peuvent endommager les surfaces délicates. Avant de l'utiliser, rincer soigneusement l'accessoire de brosse et le faire à intervalles réguliers. Nettoyer soigneusement l'accessoire de brosse après l'utilisation. Laisser sécher et toujours ranger l'accessoire de brosse sans plier les poils.

ENTRETIEN

AVERTISSEMENT :

Utiliser exclusivement des pièces d'origine pour les réparations. L'usage de toute autre pièce pourrait créer une situation dangereuse ou endommager l'produit.

AVERTISSEMENT :

Pour éviter les blessures graves, toujours retirer le bloc-piles de l'outil avant de le nettoyer, de l'entretenir ou de le ranger.

AVERTISSEMENT :

Ne jamais laisser de liquides tels que le fluide de freins, l'essence, les produits à base de pétrole, les huiles pénétrantes, etc., entrer en contact avec les pièces en plastique. Les produits chimiques peuvent endommager, affaiblir ou détruire le plastique, ce qui peut entraîner des blessures graves.

REPLACEMENT DE L'ACCESSOIRE DE BROSSE

Voir la figure 2, page 8.

Après une longue utilisation, la brosse peut s'user et devoir être remplacée. Si l'accessoire de brosse est endommagé en raison d'une chute, il faudra peut-être le remplacer. Consulter la section **Installation/retrait des accessoires de brosse plus haut** dans ce manuel.

GENERAL MAINTENANCE

Éviter d'utiliser des solvants pour le nettoyage des pièces en plastique. La plupart des matières plastiques peuvent être endommagées par divers types de solvants du commerce. Utiliser un chiffon propre pour éliminer la saleté, la poussière, l'huile, la graisse, etc.

NOTE : ILLUSTRATIONS COMMENCE À LA PAGE 8, APRÈS LE SECTION EN ESPAGNOL.

IMPORTANTES INSTRUCCIONES DE SEGURIDAD

ADVERTENCIA

Lea todas las advertencias, instrucciones, ilustraciones y especificaciones proporcionadas con esta herramienta eléctrica. No seguir las instrucciones indicadas a continuación puede provocar descargas eléctricas, incendios o lesiones graves.

Guarde todas las advertencias e instrucciones para consultarlas en el futuro. El término “herramienta eléctrica” en las advertencias se refiere a las herramientas eléctricas que funcionan con corriente (con cordón) o las que funcionan con batería (inalámbricas).

ÁREA DE TRABAJO

- **Mantenga limpia y bien iluminada el área de trabajo.** Un área de trabajo mal despejada o mal iluminada propicia accidentes.
- **No utilice herramientas motorizadas en atmósferas explosivas, como las existentes alrededor de líquidos, gases y polvos inflamables.** Las herramientas eléctricas generan chispas que pueden encender el polvo y los vapores inflamables.
- **Mantenga alejados a los niños y circunstantes al maniobrar una herramienta eléctrica.** Toda distracción puede causar la pérdida del control de la herramienta.

SEGURIDAD ELÉCTRICA

- **Las clavijas de las herramientas eléctricas deben corresponder a las tomas de corriente donde se conectan. Nunca modifique la clavija de ninguna forma. No utilice ninguna clavija adaptadora con herramientas eléctricas dotadas de contacto a tierra.** Conectando las clavijas originales en las tomas de corriente donde corresponden se disminuye el riesgo de una descarga eléctrica.
- **Evite el contacto del cuerpo con las superficies de objetos conectados a tierra, como las tuberías, radiadores, estufas y refrigeradores.** Existe un mayor riesgo de descargas eléctricas si el cuerpo está haciendo tierra.
- **No exponga la batería a la lluvia o humedad.** Si ingresa agua a la herramienta eléctrica, será mayor el riesgo de descarga eléctrica o incendio.
- **No maltrate el cordón eléctrico. Nunca utilice el cordón para trasladar, desconectar o tirar de la herramienta eléctrica. Mantenga el cordón lejos del calor, aceite, bordes afilados y piezas móviles.** Los cordones eléctricos dañados o enredados aumentan el riesgo de descargas eléctricas.
- **Al utilizar una herramienta eléctrica a la intemperie, use un cordón de extensión apropiado para el exterior.** Usando un cordón adecuado para el exterior se disminuye el riesgo de descargas eléctricas.

- **Si debe operar una herramienta en lugares húmedos, use un suministro protegido por un interruptor de circuito con pérdida a tierra (GFCI).** El uso de un GFCI reduce el riesgo de descargas eléctricas.
- **Usar este producto únicamente con la baterías y el cargador indicados en el folleto de la herramienta/aparato/paquete de baterías/cargador complementario 999000174.**

SEGURIDAD PERSONAL

- **Permanezca alerta, preste atención a lo que esté haciendo y aplique el sentido común al utilizar herramientas eléctricas. No utilice la herramienta eléctrica si está cansado o se encuentra bajo los efectos de alguna droga, alcohol o medicamento.** Un momento de inatención al utilizar una herramienta eléctrica puede causar lesiones corporales serias.
- **Utilice protección el equipo otros. Siempre póngase protección ocular.** El uso de equipo protector como mascarilla para el polvo, calzado de seguridad, casco y protección para los oídos en las circunstancias donde corresponda disminuye el riesgo de lesiones.
- **Evite que la herramienta se active accidentalmente. Asegúrese de que el interruptor esté en la posición de apagado antes de conectar la herramienta a un suministro de corriente o de colocar un paquete de baterías.** Transportar herramientas eléctricas con el dedo en el interruptor o enchufar herramientas eléctricas que tienen el interruptor encendido puede ocasionar accidentes.
- **Retire toda llave o herramienta de ajuste antes de encender la herramienta eléctrica.** Toda llave o herramienta de ajuste dejada en una pieza giratoria de la herramienta eléctrica puede causar lesiones.
- **No estire el cuerpo para alcanzar mayor distancia. Mantenga una postura firme y buen equilibrio en todo momento.** De esta manera se logra un mejor control de la herramienta eléctrica en situaciones inesperadas.
- **Vístase adecuadamente. No vista ropas holgadas ni joyas.** Mantenga el cabello y la ropa alejados de las piezas móviles. Las ropas holgadas y las joyas, así como el cabello largo, pueden engancharse en las piezas móviles.
- **Si se suministran dispositivos para conectar mangueras de extracción y captación de polvo, asegúrese de que éstas estén bien conectadas y se usen correctamente.** El uso de la captación de polvo puede reducir los peligros relacionados con éste.
- **No permita que la familiaridad obtenida por el uso frecuente de las herramientas lo vuelva complaciente e ignore los principios de seguridad de las herramientas.** Una acción descuidada puede causar lesiones graves en una fracción de segundo.

IMPORTANTES INSTRUCCIONES DE SEGURIDAD

- **No vista ropas holgadas ni joyas. Recójase el cabello si está largo.** Las ropas holgadas y las joyas, así como el cabello largo, pueden resultar atraídas hacia el interior de las aberturas de ventilación.
- **No utilice la unidad al estar en una escalera o en un soporte inestable.** Una postura estable sobre una superficie sólida permite un mejor control de la herramienta eléctrica en situaciones inesperadas.

EMPLEO Y CUIDADO DE LA HERRAMIENTA ELÉCTRICA

- **No fuerce la herramienta eléctrica. Utilice la herramienta eléctrica adecuada para cada trabajo.** La herramienta eléctrica adecuada efectúa mejor y de manera más segura el trabajo, si además se maneja a la velocidad para la que está diseñada.
- **No utilice la herramienta si el interruptor no enciende o no apaga.** Cualquier herramienta eléctrica que no pueda controlarse con el interruptor es peligrosa y debe repararse.
- **Desconecte el enchufe de la fuente de alimentación o retire el paquete de baterías, si es desmontable, de la herramienta eléctrica antes de realizar ajustes, cambiar accesorios o almacenar herramientas eléctricas.** Tales medidas preventivas de seguridad reducen el riesgo de poner en marcha accidentalmente la herramienta.
- **Guarde las herramientas eléctricas desocupadas fuera del alcance de los niños y no permita que las utilicen personas no familiarizadas con las mismas o con estas instrucciones.** Las herramientas eléctricas son peligrosas en manos de personas no capacitadas en el uso de las mismas.
- **Mantenimiento de las herramientas eléctricas y accesorios. Revise para ver si hay desalineación o atoramiento de piezas móviles, ruptura de piezas o toda otra condición que pueda afectar el funcionamiento de la herramienta eléctrica. Si está dañada la herramienta eléctrica, permita que la reparen antes de usarla.** Numerosos accidentes son causados por herramientas eléctricas mal cuidadas.
- **Use la herramienta eléctrica, los accesorios, las brocas, etc. según estas instrucciones, teniendo en cuenta las condiciones de trabajo y la tarea que se va a realizar.** Si se utiliza la herramienta eléctrica para operaciones diferentes de las indicadas podría originar una situación peligrosa.
- **Mantenga los mangos y superficies de agarre limpias y libres de aceite y grasa.** Los mangos y superficies de agarre resbalosas no permiten la manipulación y control seguro de la herramienta en situaciones inesperadas.

EMPLEO Y CUIDADO DE LA HERRAMIENTA DE BATERÍAS

- **Sólo cargue el paquete de baterías con el cargador especificado por el fabricante.** Un cargador adecuado para un tipo paquete de baterías puede significar un riesgo de incendio si se emplea con un paquete de baterías diferente.
- **Utilice las herramientas eléctricas sólo con los paquetes de baterías específicamente indicados.** El empleo de paquetes de baterías diferentes puede presentar un riesgo de incendio.
- **Cuando no esté utilizándose el paquete de baterías, manténgalo lejos de otros objetos metálicos, como clips, monedas, llaves, clavos, tornillos o otros objetos metálicos, pequeños que puedan establecer conexión entre ambas terminales.** Establecer una conexión directa entre las dos terminales de las baterías puede causar quemaduras o incendios.
- **Si se maltratan las baterías, puede derramarse líquido de las mismas; evite todo contacto con éste. En caso de contacto, lávese con agua. Si el líquido llega a tocar los ojos, además busque atención médica.** El líquido de las baterías puede causar irritación y quemaduras.
- **No utilice un paquete de baterías o una herramienta que esté dañado o modificado.** Las baterías dañadas o modificadas pueden tener un funcionamiento impredecible que provoque incendios, explosiones o riesgo de lesiones.
- **No exponga el paquete de baterías o una herramienta al fuego o a temperaturas excesivas.** La exposición al fuego o a temperatura sobre los 130 °C (265 °F) puede provocar explosiones.
- **Siga todas las instrucciones de carga y no cargue el paquete de baterías ni la herramienta fuera del rango de temperaturas especificado en las instrucciones.** Si realiza la carga en forma incorrecta o fuera de las temperaturas del rango especificado puede dañar la batería y aumentar el riesgo de incendios.

SERVICIO

- **Permita que un técnico de reparación calificado preste servicio a la herramienta eléctrica, y sólo con piezas de repuesto idénticas.** De esta manera se mantiene la seguridad de la herramienta eléctrica.
- **Nunca repare paquetes de baterías dañados.** La reparación de paquetes de baterías solo puede ser realizada por el fabricante o proveedores de servicio autorizados.

ADVERTENCIAS DE SEGURIDAD DEL LIMPIADOR ELÉCTRICO

- Familiarícese con su herramienta eléctrica. Lea cuidadosamente el manual del operador. Aprenda sus usos y limitaciones, así como los posibles peligros específicos de esta herramienta eléctrica. Con el cumplimiento de esta regla se reduce el riesgo de una descarga eléctrica, incendio o lesión seria.
- Este producto es conveniente para el uso de interior y al aire libre.
- Asegúrese de que el cepillo accesorio esté instalado correctamente antes de usarlo.
- No fuerce el limpiador en espacios reducidos durante el uso.
- No toque los accesorios giratorios cuando el producto esté en uso.
- No se necesita conectar a una toma de corriente las herramientas de baterías; por lo tanto, siempre están en condiciones de funcionamiento. Esté consciente de los posibles peligros cuando no esté usando la herramienta de baterías o cuando esté cambiando los accesorios de la misma. Con el cumplimiento de esta regla se reduce el riesgo de una descarga eléctrica, incendio o lesión corporal seria.
- No coloque herramientas de baterías ni las baterías mismas cerca del fuego o del calor. De esta manera se reduce el riesgo de explosiones y de lesiones.
- No aplaste, deje caer o dañe de baterías. Nunca utilice una batería o cargador que se ha caído, aplastado, recibido un golpe contundente o ha sido dañado(a) de alguna manera. Las baterías dañadas pueden sufrir explosiones. Deseche de inmediato toda batería que haya sufrido una caída o cualquier daño.
- Las baterías pueden explotar en presencia de fuentes de inflamación, como los pilotos de gas. Para reducir el riesgo de lesiones serias, nunca use un producto inalámbrico en presencia de llamas expuestas. La explosión de una batería puede lanzar fragmentos y compuestos químicos. Si ha quedado expuesto a la explosión de una batería, lávese de inmediato con agua.
- En condiciones extremas de uso o temperatura las baterías pueden emanar líquido. Si el líquido llega a tocarle la piel, lávese de inmediato con agua y jabón. Si le entra líquido en los ojos, láveselos con agua limpia por lo menos 10 minutos, y después busque de inmediato atención médica. Con el cumplimiento de esta regla se reduce el riesgo de lesiones corporales serias.
- Guarde estas instrucciones. Consúltelas con frecuencia y empléelas para instruir a otras personas que puedan utilizar esta herramienta. Si presta a alguien esta herramienta, facilíttele también las instrucciones.





SÍMBOLOS

Las siguientes palabras de señalización y sus significados tienen el objeto de explicar los niveles de riesgo relacionados con este producto.

SÍMBOLO	SEÑAL	SIGNIFICADO
	PELIGRO:	Indica una situación peligrosa, la cual, si no se evita, causará la muerte o lesiones serias.
	ADVERTENCIA:	Indica una situación peligrosa, la cual, si no se evita, podría causar la muerte o lesiones serias.
	PRECAUCIÓN:	Indica una situación peligrosa, la cual, si no se evita, podría causar lesiones menores o leves.
	AVISO:	(Sin el símbolo de alerta de seguridad) Indica la información que se considera importante, pero no relacionada con lesiones potenciales (por ej. en relación a daños a la propiedad).

SÍMBOLOS

Es posible que se empleen en este producto algunos de los siguientes símbolos. Le suplicamos estudiarlos y aprender su significado. Una correcta interpretación de estos símbolos le permitirá utilizar mejor y de manera más segura el producto.

SÍMBOLO	NOMBRE	DENOMINACIÓN/EXPLICACIÓN
	Alerta de seguridad	Indica un peligro posible de lesiones personales.
	Lea el manual del operador	Para reducir el riesgo de lesiones, el usuario debe leer y comprender el manual del operador antes de usar este producto.
	Superficie caliente	Para reducir el riesgo de lesiones corporales o daños materiales evite tocar toda superficie caliente.
	Símbolo de reciclado	Este producto contiene baterías de iones de litio (Li-ion). Es posible que algunas leyes municipales, estatales o federales prohíban desechar las baterías en la basura normal. Consulte a las autoridades reguladoras de desechos para obtener información en relación con las alternativas de reciclado y desecho disponibles.
V	Volts	Voltaje
min	Minutos	Tiempo
—	Corriente continua	Tipo o característica de corriente
n_0	Velocidad en vacío	Velocidad de rotación, en vacío
.../min	Por minuto	Revoluciones, carreras, velocidad superficial, órbitas, etc., por minuto

CARACTERÍSTICAS

ESPECIFICACIONES DEL PRODUCTO

Motor4 V DC
 Velocidad en vacío (revoluciones por minuto)..... aproximada 175/min (RPM) Baja, 300/min (RPM) Max
 Clasificación de impermeable al agua IPX7*

* Clasificación IP: Especifica la protección ambiental que ofrece el alojamiento. Este producto cuenta con la clasificación IPX7, lo que significa que puede soportar la inmersión en agua hasta 1 metro durante 30 minutos como máximo.

ARMADO

ADVERTENCIA

No use este producto si no está totalmente ensamblado o si alguna pieza falta o está dañada. El uso de un producto que no está adecuadamente y completamente ensamblado o posee partes dañadas o faltantes puede resultar en lesiones personales graves.

ADVERTENCIA

No intente modificar este producto ni crear aditamentos o accesorios que no estén recomendados para usar con este producto. Dichas alteraciones o modificaciones constituyen un uso indebido y podrían provocar una situación de riesgo que cause posibles lesiones personales graves.

Si hay piezas dañadas o faltantes, le suplicamos llamar al 1-800-525-2579, donde le brindaremos asistencia. En México, llame al 01-800-843-1111.

FUNCIONAMIENTO

ADVERTENCIA

No permita que su familiarización con las herramientas lo vuelva descuidado. Tenga presente que un descuido de un instante es suficiente para causar una lesión grave.

ADVERTENCIA

Siempre retire el paquete de baterías de la herramienta cuando esté ensamblando partes, realizando ajustes, limpiando o cuando ésta no esté en uso. Retirando el paquete de baterías se evita arrancar accidentalmente la unidad, lo cual puede causar lesiones serias.

ADVERTENCIA

No utilice ningún aditamento o accesorio no recomendado por el fabricante de este producto. El empleo de aditamentos o accesorios no recomendados podría causar lesiones serias.

APLICACIONES

Este producto puede emplearse para los fines siguientes:

- Aplicación del adhesivo de pegamento caliente
- Este producto no es para uso comercial.

ADVERTENCIA

Las herramientas a batería están siempre en condiciones de funcionamiento. Asegúrese de que el botón de encendido esté apagado y retire la batería cuando el producto no esté en uso o cuando lo cargue a su lado.

INSTALACIÓN/DESMONTAR DEL PAQUETE DE BATERÍAS

Vea la figura 1, página 8.

Para instalar

- Desatornille y retire la cubierta de baterías.
- Coloque el paquete de baterías en el producto como se muestra.
- Coloque la tapa sobre el paquete de baterías y empuje hasta que la tapa toque las roscas que se encuentran en el extremo de la herramienta.
- Enrosque la tapa firmemente

NOTA: No intente usar este producto si la tapa del paquete de baterías no está firmemente cerrada. La tapa está bien cerrada cuando el triángulo de alineación de la herramienta se alinea con el rectángulo de alineación de la tapa.

Para retirar:

- Desatornille y retire la cubierta de baterías.
- Retire de la herramienta el paquete de baterías.

Para obtener instrucciones específicas de carga, lea el manual del operador que se incluye con la batería.

FUNCIONES DE LAS LUCES LED

Vea la figura 2, página 8.

Cuando se instala y esté cargado un paquete de baterías la luz LED indicará el estado de la batería cuando la herramienta esté encendida.




ESTADO DE LA BATERÍA	ESCENARIO DE LUZ LED
Funcionamiento	Verde sólido
Batería baja (5- 25%)	Rojo sólido
Batería baja (0- 5%)	Rojo intermitente (3 destellos)
Protección contra sobrecorriente	Rojo intermitente (6 destellos)
Protección contra exceso de temperatura	Rojo intermitente (9 destellos)

SELECCIÓN DE LOS ADITAMENTOS DE CEPILLO

Es importante que seleccione el tipo correcto de cepillo accesorio para obtener el mejor rendimiento del limpiador eléctrico. Seleccione cepillo accesorio según la aplicación y la superficie que desee limpiar. La selección del cepillo accesorio adecuado lo ayudará a limpiar de manera más eficiente y a proteger la superficie en cuestión. Para reducir el riesgo de daños materiales, pruebe siempre el cepillo en un área adecuada de una superficie antes de comenzar el trabajo.

NOTA: El limpiador eléctrico incluye un cepillo accesorio con cerdas medianas. Puede comprar cepillos accesorios con cerdas duras y blandas donde compró el producto.

GUÍA DE SELECCIÓN DE CEPILLOS ACCESORIOS

	Cerdas suaves (azules) Limpieza liviano
	Cerdas medianas (verdes) Limpieza general
	Cerdas duras (grises) Limpieza de alto rendimiento

APAGADO Y ENCENDIDO DE EL LIMPIADOR ELÉCTRICO

Vea la figura 2, página 9.

Para arrancar el motor:

- Presione completamente el botón de encendido/apagado para encender el motor.

FUNCIONAMIENTO

NOTA: Cuando el motor esté encendido, el cepillo accesorio girará continuamente.

- Presione el botón MAX para cambiar a la velocidad máxima.
- Presione el botón MAX nuevamente para volver a la velocidad normal.

Para apagar el motor:

- Presione completamente el botón de encendido/apagado para apagar el motor.

NOTA: Cuando el motor esté apagado, el cepillo accesorio dejará de girar.

CÓMO INSTALAR O QUITAR LOS CEPILLOS ACCESORIOS

Vea la figura 3, página 8.

- Inserte el accesorio en el collar y empújelo tanto como sea posible. Para quitar un accesorio, sáquelo del collar.

CÓMO USAR EL LIMPIADOR ELÉCTRICO

Vea la figura 4, página 8.

- Seleccione el cepillo accesorio apropiado.
- Sostenga el limpiador firmemente contra la superficie.
- Presione completamente el botón de encendido/apagado para iniciar el limpiador eléctrico.

- Mueva la unidad hacia delante y hacia atrás sobre la superficie que desea limpiar.

NOTA: Muévase lentamente cuando aprenda a usar la unidad y cuando frote manchas difíciles.

NOTA: No presione hacia abajo la unidad ni la mantenga en un lugar durante un período prolongado. Si lo hace, podría dañar la superficie que está limpiando.

- Cuando finalice el trabajo de limpieza, presione completamente el botón de encendido/apagado para apagar el motor y espere a que el cepillo accesorio deje de girar.
- Retire el cepillo accesorio como se describió anteriormente y límpielo bien.

AVISO:

La suciedad y los desechos pueden dañar las superficies delicadas. Enjuague bien el cepillo accesorio antes de usarlo y continúe haciéndolo en intervalos regulares durante el uso. Limpie bien el cepillo accesorio después de su uso. Deje secar y guarde siempre el cepillo accesorio sin doblar las cerdas.

MANTENIMIENTO

ADVERTENCIA:

Al dar servicio a la unidad, sólo utilice piezas de repuesto idénticas. El empleo de piezas diferentes podría causar un peligro o dañar el producto.

ADVERTENCIA:

Para evitar lesiones personales graves, siempre retire el paquete de baterías de la herramienta cuando la limpie, realice el mantenimiento o cuando almacene la herramienta.

ADVERTENCIA:

No permita en ningún momento que líquido para frenos, gasolina, productos a base de petróleo, aceites penetrantes, etc., entren en contacto con las piezas de plástico. Las sustancias químicas pueden dañar, debilitar o destruir el plástico, lo cual puede a su vez producir lesiones corporales graves.

CÓMO REEMPLAZAR EL CEPILLO ACCESORIO

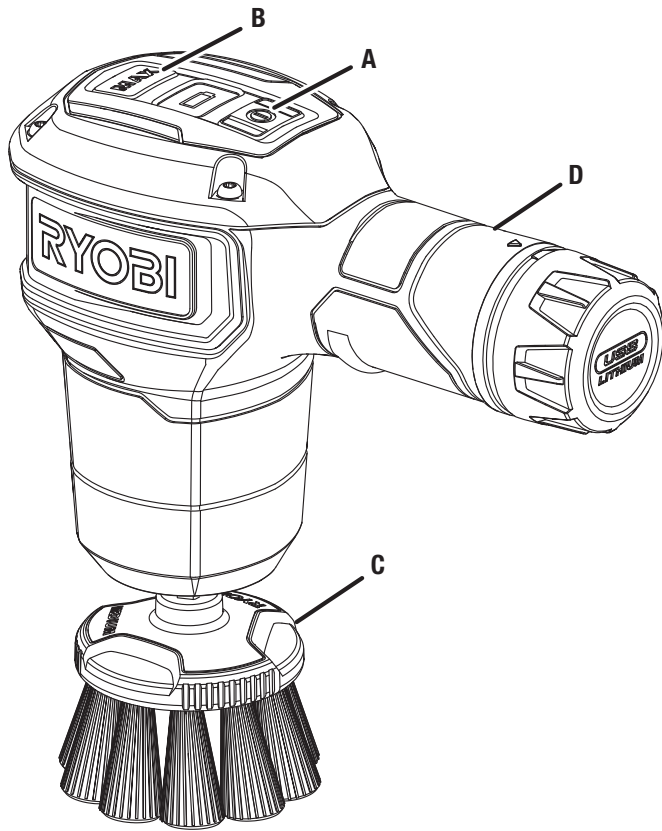
Vea la figura 2, página 9.

Después de un uso prolongado, el cepillo accesorio puede desgastarse, por lo que deberá reemplazarlo. Si se le cae la herramienta y daña el cepillo accesorio, también puede ser necesario que lo reemplace. Consulte la sección **Cómo instalar o retirar los cepillos accesorios** anteriormente en este manual.

MANTENIMIENTO GENERAL

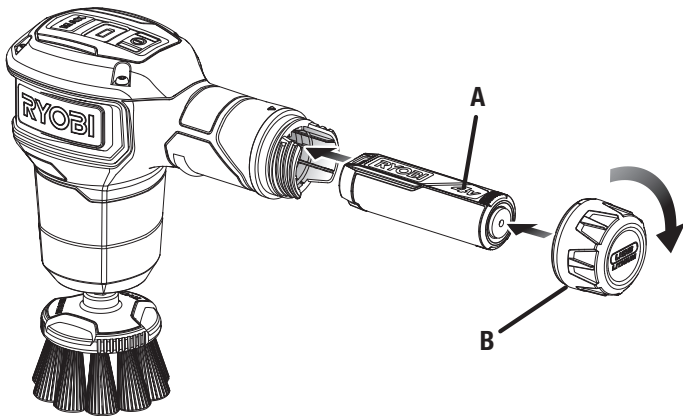
Evite el empleo de solventes al limpiar piezas de plástico. La mayor parte de los plásticos son susceptibles a diferentes tipos de solventes comerciales y pueden resultar dañados. Utilice paños limpios para eliminar la suciedad, polvo, aceite, grasa, etc.

FVG51



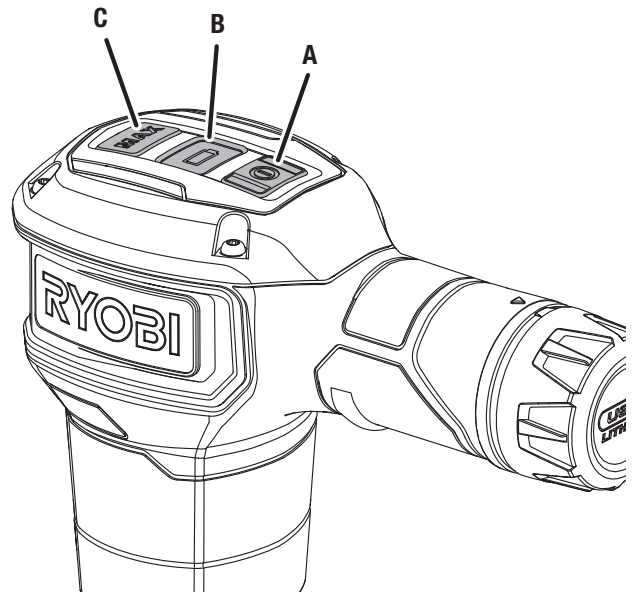
- A - On/Off button (bouton marche/arrêt, botón de encendido/apagado)
- B - MAX speed button (bouton « MAX », botón MAX)
- C - Brush attachment (accessoire de brosse, aditamento de cepillo)
- D - Handle (poignée, mango)

Fig. 1



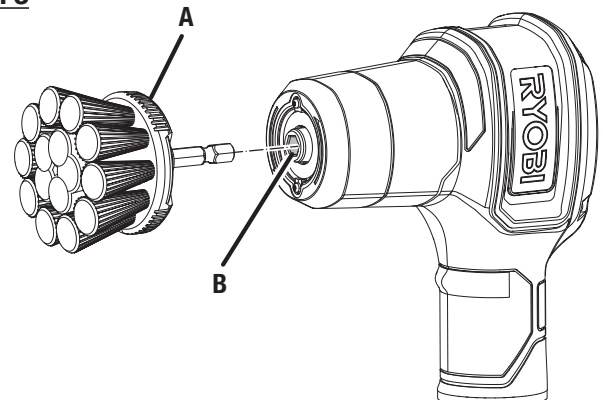
- A - Battery pack (bloc-pile, paquete de baterías)
- B - Battery cap (bouchon de batterie, tapa de la batería)

Fig. 2



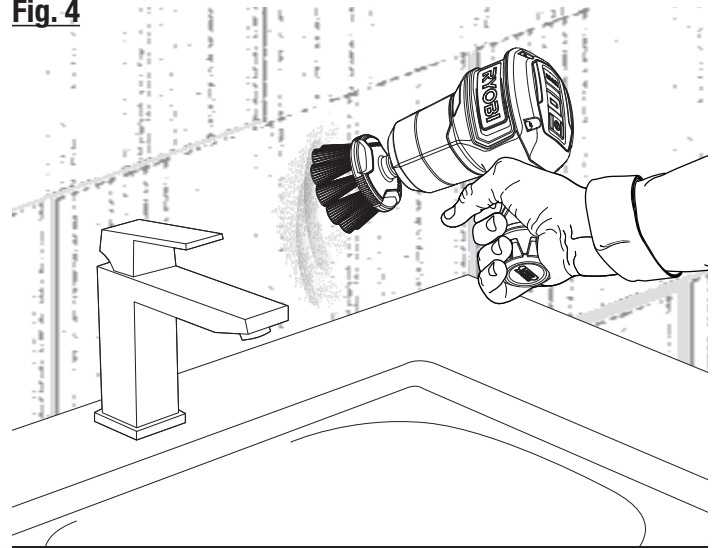
- A - On/Off button (bouton marche/arrêt, botón de encendido/apagado)
- B - LED indicator (témoins DEL, indicador LED)
- C - MAX speed button (bouton « MAX », botón MAX)

Fig. 3



- A - Brush attachment (accessoire de brosse, aditamento de cepillo)
- B - Collet (collet, portaherramientas)

Fig. 4





OPERATOR'S MANUAL/USB LITHIUM POWER SCRUBBER
MANUEL D'UTILISATION/BROSSEUSE ÉLECTRIQUE DE USB AU LITHIUM
MANUAL DEL OPERADOR/LIMPIADOR ELÉCTRICO DE IONES DE LITIO USB
FVG51

To request service, purchase replacement parts,
locate an Authorized Service Center or obtain Customer or Technical Support:
Visit **www.ryobitools.com** or call **1-800-525-2579**

If any parts or accessories are damaged or missing, do not return this product to the store.
Call **1-800-525-2579** for immediate service.

Please obtain your model and serial number from the product data plate.
This product is covered under a 2-year limited Warranty. Proof of purchase is required.

MODEL NUMBER* _____ SERIAL NUMBER _____

**Model number on product may have additional letters at the end. These letters designate manufacturing information and should be provided when calling for service.*

RYOBI is a trademark of Ryobi Limited and is used pursuant to a license granted by Ryobi Limited.

Pour faire une demande de réparations ou obtenir des pièces de rechange, trouver un
Centre de réparations agréé pour obtenir un soutien technique ou le Service à la clientèle :
Visiter **www.ryobitools.com** ou en téléphonant au **1-800-525-2579**

Si des pièces ou accessoires sont manquantes ou endommagées, ne pas retourner
ce produit au magasin. Appeler immédiatement au **1-800-525-2579** pour obtenir de l'aide.

Inscrire les numéros de modèle et de série inscrits sur la plaque d'identification du produit.
Ce produit est couvert par une garantie limitée de deux (2) ans. Une preuve d'achat est exigée.

NUMÉRO DE MODÈLE* _____ NUMÉRO DE SÉRIE _____

**Le numéro de modèle sur le produit peut contenir des lettres supplémentaires à la fin. Ces lettres désignent les informations du fabricant et doivent être fournies lors d'un appel de demande de service.*

RYOBI est une marque de Ryobi Limited et est utilisée en vertu d'une licence accordée par Ryobi Limited.

Para obtener servicio, comprar piezas de repuesto, localizar un centro de servicio autorizado
y obtener Servicio o Asistencia Técnica al Consumidor:

Visite **www.ryobitools.com** (en la EE.UU.) o **www.ryobitools.mx** (en México)
o llame al **1-800-525-2579** (en la EE.UU.) o **800-843-1111** (en México).

Si hay alguna pieza o accesorios dañada o faltante, no devuelva este producto a la tienda.
Llame al **1-800-525-2579** (en la EE.UU.) o **800-843-1111** (en México) para servicio técnico inmediato.

Obtenga su modelo y número de serie de la placa de datos del producto.
Este producto está cubierto con una garantía limitada de 2 años. Se solicita prueba de la compra.

NÚMERO DE MODELO* _____ NÚMERO DE SERIE _____

**El número de modelo que figura en el producto podría tener letras adicionales al final. Estas designan información de fabricación y deben suministrarse cuando llame para obtener asistencia o servicio.*

RYOBI es una marca de Ryobi Limited y se utiliza conforme a una licencia otorgada por Ryobi Limited.

TTI CONSUMER POWER TOOLS, INC.

P.O. Box 1288, Anderson, SC 29622 • Phone 1-800-525-2579
États-Unis, Téléphone 1-800-525-2579 • USA, Teléfono 1-800-525-2579

www.ryobitools.com