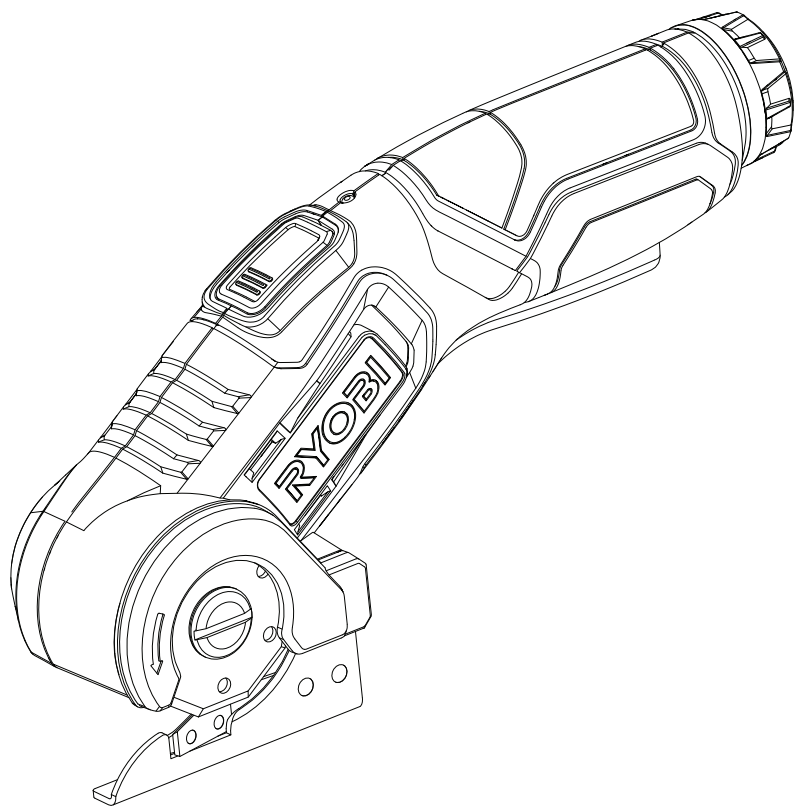


REPAIR SHEET

BRAND
RYOBI

MODEL NO.
FVC51

DESCRIPTION
4 Volt USB Lithium Power Cutter



TTI CONSUMER POWER TOOLS, INC.

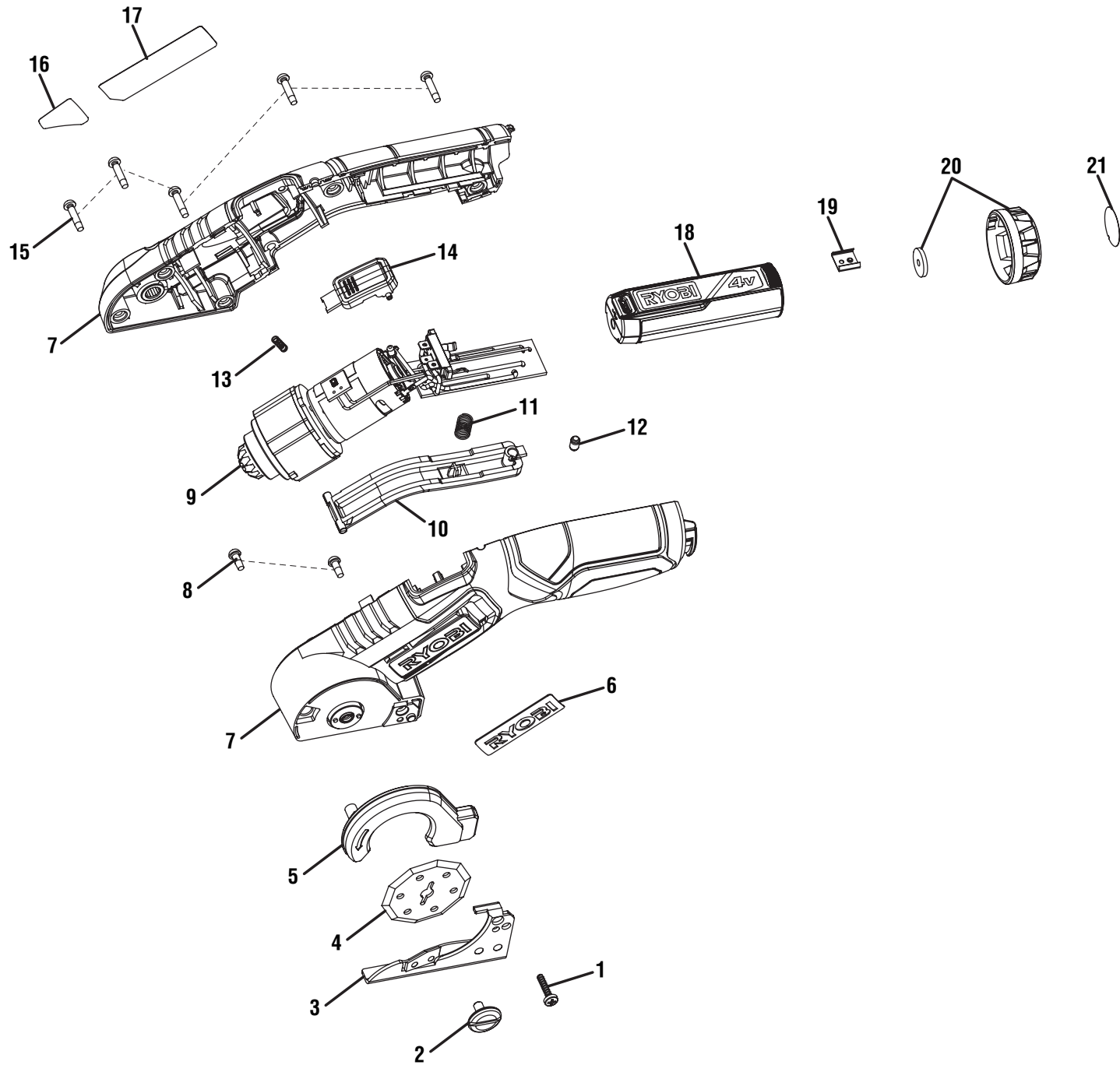
P.O. Box 1288, Anderson, SC 29622 ■ 1-800-525-2579 ■ www.ryobitools.com

1-13-22 (Rev:01)

The model number and manufacturing location will be found on a label attached to the product. Always mention this information in all communications regarding this product and when ordering parts.

RYOBI

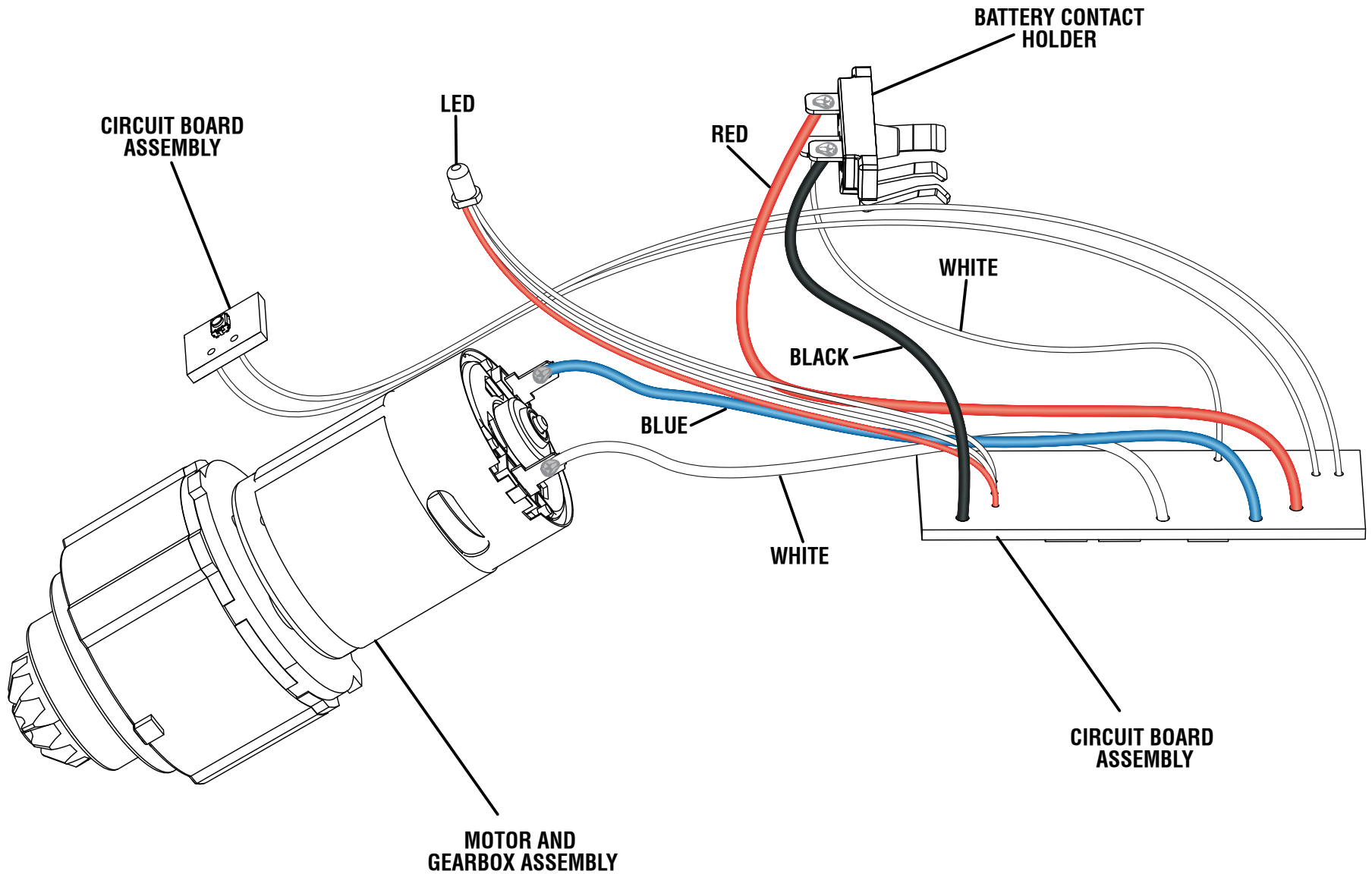
FVC51



PARTS LIST

KEY NO.	PART NO.	DESCRIPTION	QTY.
1	660205012	Screw (M3 x 14 mm)	1
2	663171001	Screw (M4 x 8 mm)	1
3	318242001	Blade and Bracket Assembly	1
4	682583001	Rotary Blade	1
5	370909001	Upper Guard	1
6	941114317	Logo Label	1
7	204684003	Housing and Shaft Assembly (Inc. Key Nos. 6 & 16-17)	1
8	660230011	Screw (M3 x 10 mm)	2
9	206663004	Gearbox and Circuit Board Assembly	1
10	544910001	Switch Trigger	1
11	683010001	Switch Trigger Spring	1
12	565928001	Rubber Pin	1

KEY NO.	PART NO.	DESCRIPTION	QTY.
13	683009001	Switch Button Spring	1
14	544911001	Switch Button	1
15	660570005	Screw (M3 x 14 mm)	5
16	941120937	Warning Label	1
17	941123956	Data Label	1
18	130690001	4V RYOBI Battery (FVB01)	1
19	656430001	Housing Connection Knob	1
20	204684004	End Cap Assembly (Inc. Key No. 21)	1
21	941120970	USB Lithium Label	1
	Not Shown:		
	998000787	Operator's Manual (961153599)	
	790066001	USB-C Cable	



WIRING DIAGRAM