

Thank you for purchasing RYOBI™ Phone Works™

If you need assistance  
**DO NOT RETURN TO THE STORE**  
Please contact us at 1-877-578-6736

**This app is optimized for:**

iOS versions 6.0 and higher • Android versions 4.0 and higher

For a full list of compatible phones please visit  
[www.ryobitools.com/phoneworks](http://www.ryobitools.com/phoneworks)

## ES5500 STUD FINDER IMPORTANT SAFETY INSTRUCTIONS

### **WARNING!**

**READ AND UNDERSTAND ALL INSTRUCTIONS.** Failure to follow all instructions listed below, may result in electric shock, fire and/or serious personal injury.

### **WARNING:**

Changes or modifications to this unit not expressly approved by the party responsible for compliance could void the user's authority to operate the equipment.

- **Read operator's manual carefully.** Learn the applications and limitations, as well as the specific potential hazards, related to this product. Following this rule will reduce the risk of electric shock, fire, or serious injury.
- **Do not operate battery products in explosive atmospheres, such as in the presence of flammable liquids, gases or dust.** Battery products create sparks which may ignite the dust or fumes.
- **Do not disassemble the product.** Contact with internal parts may increase the risk of electric shock or cause damage to the product.
- **Do not use on a ladder or unstable support.** Stable footing on a solid surface enables better control of the product in unexpected situations.
- **Do not store the product in an area of high heat or humidity. Do not expose the product to extended high heat from the sun (such as on a vehicle dashboard.) To reduce the risk of serious personal injury, do not store outside or in vehicles.** Damage to the product or the battery can result.
- **Do not expose product to rain or wet conditions.** Water entering a product will increase the risk of electric shock.
- **Use the product in accordance with these instructions and in the manner intended for the product, taking into account the environmental conditions and the work to be performed.** Use of the product for operations different from those intended could result in a hazardous situation.
- **Readings on some surfaces may be unreliable.** Be aware that wallpaper containing metallic foil or fibers and plaster with metal mesh may cause the unit to function improperly.
- **Ensure the device is disconnected and turned off before inserting or changing batteries.**
- **Do not mix old and new batteries or different brands of batteries.**
- **Remove batteries from the device when not in use for an extended time.**
- **Always replace the alkaline battery with the same type of alkaline battery.** Use of any other battery packs may create a risk of injury and fire.
- **This device should not be operated unless the battery compartment is closed.**
- **Do not place battery devices or their batteries near fire or heat.** This will reduce the risk of explosion and possibly injury.
- **Do not crush, drop or damage battery. Do not use batteries that have been dropped or received a sharp blow.** A damaged battery is subject to explosion. Properly dispose of a dropped or damaged battery immediately.
- **Batteries can explode in the presence of a source of ignition, such as a pilot light.** To reduce the risk of serious personal injury, never use any battery device in the presence of open flame. An exploded battery can propel debris and chemicals. If exposed, flush with water immediately.
- **Under extreme usage or temperature conditions, battery leakage may occur. If liquid comes in contact with your skin, wash immediately with soap and water. If liquid gets into your eyes, flush them with clean water for at least 10 minutes, then seek immediate medical attention.** Following this rule will reduce the risk of serious personal injury.
- **Save these instructions.** Refer to them frequently and use them to instruct others who may use this device. If you loan someone this device, loan them these instructions also.

# SYMBOLS

The following signal words and meanings are intended to explain the levels of risk associated with this product.

SYMBOL	SIGNAL	MEANING
	<b>DANGER:</b>	Indicates an imminently hazardous situation, which, if not avoided, will result in death or serious injury.
	<b>WARNING:</b>	Indicates a potentially hazardous situation, which, if not avoided, could result in death or serious injury.
	<b>CAUTION:</b>	Indicates a potentially hazardous situation, which, if not avoided, may result in minor or moderate injury.
	<b>NOTICE:</b>	(Without Safety Alert Symbol) Indicates important information not related to an injury hazard, such as a situation that may result in property damage.

Some of the following symbols may be used on this product. Please study them and learn their meaning. Proper interpretation of these symbols will allow you to operate the product better and safer.

SYMBOL	NAME	DESIGNATION/EXPLANATION
	Safety Alert	Indicates a potential personal injury hazard.
	Read Operator's Manual	To reduce the risk of injury, user must read and understand operator's manual before using this product.
V	Volts	Voltage
min	Minutes	Time
—	Direct Current	Type or a characteristic of current

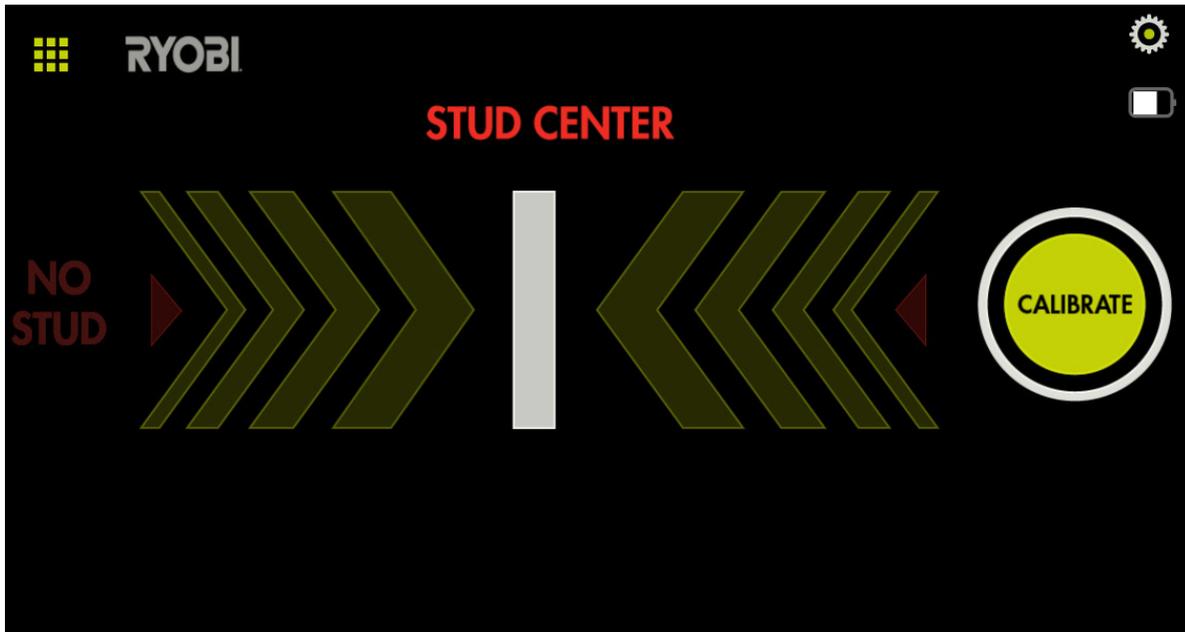
## CALIFORNIA PROPOSITION 65

### **WARNING:**

This product may contain chemicals, including lead, known to the State of California to cause cancer, birth defects, or other reproductive harm. ***Wash hands after handling.***

# FEATURES

- Locate stud center in drywall up to 3/4 in. thick.
- Smartphone-controlled calibration.
- Built-in, one-handed stud marker.
- Live tracking.



ICON	DESCRIPTION/FUNCTION
	Main RYOBI™ Phone Works™ app home screen
	Settings
	Device battery charge level
	Calibrate

# ASSEMBLY

## WARNING:

Do not use this product if it is not completely assembled or if any parts appear to be missing or damaged. Use of a product that is not properly and completely assembled or with damaged or missing parts could result in serious personal injury.

## WARNING:

Do not attempt to modify this product or create accessories not recommended for use with this product. Any such alteration or modification is misuse and could result in a hazardous condition leading to possible serious personal injury.

If any parts are damaged or missing, please call 1-877-578-6736 for assistance.

# OPERATION

## INSTALLING/REPLACING THE AAA BATTERY

See Figure 1.

One AAA battery is preinstalled in the unit. Before first use, locate and remove the red pull tab to activate the battery.

### To replace the battery:

- Disconnect the device from the smartphone.
- Remove the battery cover by inserting the edge of a coin into the slot on the bottom and twisting.
- Install battery according to the polarity indicators.
- Replace the battery cover, making sure it is secure before use.
- Do not use the product without the battery cover installed.

**NOTE:** Remove the battery for storage when device will not be used for long periods of time.

## CONNECTING THE STUD FINDER TO YOUR SMARTPHONE

See Figure 2.

- Select and open the RYOBI™ Phone Works™ app.
- Insert the stud finder plug into your smartphone's headphone jack.
- Turn the volume on your smartphone to its maximum setting.

**NOTE:** Some phones have features that limit the amount of volume available. Turn these features off before you attempt to use the device.

- Open the STUD FINDER App Segment.

## OPERATING TIPS

See Figure 2.

- Grip the unit only by the gripping surfaces located toward the bottom on each side of the unit.

**NOTE:** Gripping the device anywhere else on the unit may lead to faulty readings due to interference with the sensor.

- The unit should remain firmly against the wall surface during the entire detection process.

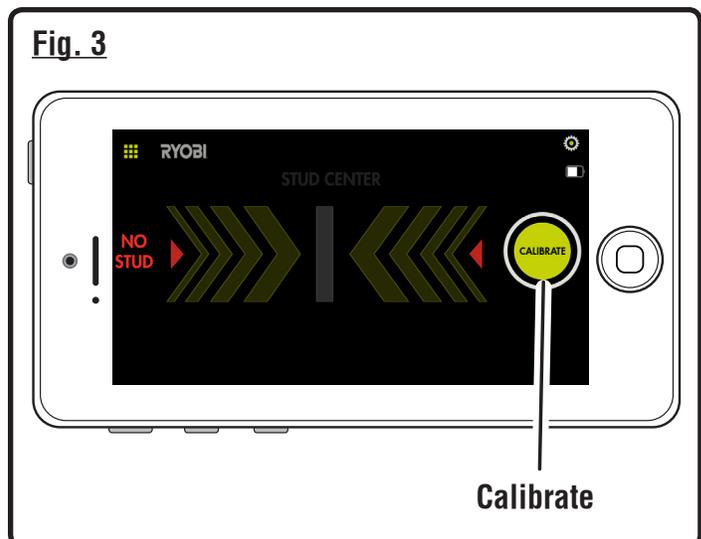
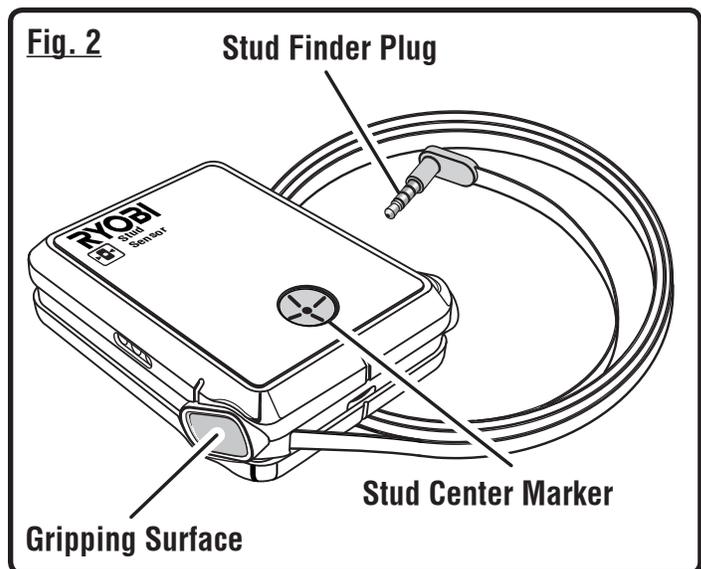
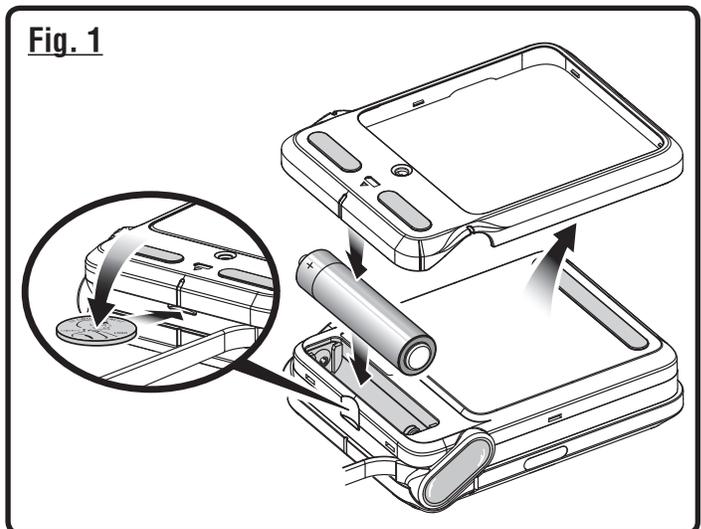
## USING THE STUD FINDER

See Figures 3 - 5.

**NOTE: Readings on some surfaces may be unreliable.** Be aware that wallpaper containing metallic foil or fibers and plaster with metal mesh may cause the unit to function improperly.

- Place the unit against the wall and select the CALIBRATE button on your smartphone. Hold the product still to allow the unit to calibrate. When the calibration process is completed, the interface on your smartphone will return to CALIBRATE.

**NOTE:** The unit must not be placed over a stud during the calibration process.



\*App images may vary

# OPERATION

## Locating studs or joists:

- Once calibration is complete, begin to slowly move the unit in a straight line to the left or right against the wall.
- As you near a stud, the graduated display will begin to light up. When you reach the center of the stud, the display will fully light up and the word **STUD CENTER** will appear at the top.
- To mark where center is, depress the button at the bottom of the unit to make a mark on the wall at the point where **STUD CENTER** appeared on the display. This will leave a small dimple on the wall surface.

Fig. 4

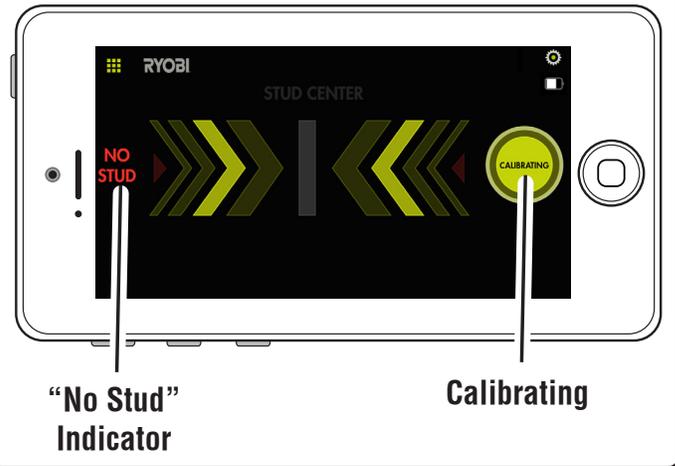
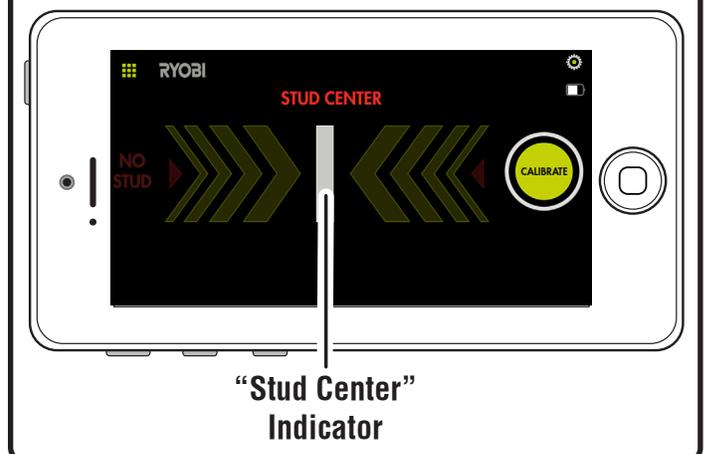


Fig. 5



# MAINTENANCE

## **⚠ WARNING:**

When servicing, use only identical replacement parts. Use of any other parts could create a hazard or cause product damage.

## GENERAL MAINTENANCE

Avoid using solvents when cleaning plastic parts. Most plastics are susceptible to damage from various types of commercial solvents and may be damaged by their use. Use clean cloths to remove dirt, dust, oil, grease, etc.

## STORAGE

Store in a cool, dry location to prevent condensation or mold from forming inside the product.

Do not store the device at temperatures greater than 122° F (such as on a dashboard or vehicle interior).

## BATTERY RECYCLING

Consult the Earth 911 website ([www.earth911.com](http://www.earth911.com)) or your local waste authority for information regarding available recycling and/or disposal options.

## **⚠ WARNING:**

Do not attempt to destroy or disassemble batteries or remove any of their components. All batteries must be recycled or disposed of properly. Do not discard large amounts of used batteries together. “Dead” batteries often have residual charge. When grouped together, these batteries can become “live” and pose a risk of possible serious injury.

# WARRANTY

## **RYOBI™ Phone Works™ – LIMITED 1 YEAR WARRANTY**

One World Technologies, Inc., warrants its RYOBI™ Phone Works™ products with the following conditions:

**WHAT THIS WARRANTY COVERS:** This warranty covers all defects in workmanship or materials in your RYOBI™ Phone Works™ for a period of one year from the date of purchase.

**WHAT'S NOT COVERED:** This warranty applies only to the original purchaser at retail and may not be transferred. This warranty only covers defects arising under normal usage and does not cover wearable parts, malfunction, failure or defects resulting from misuse, abuse, neglect, alteration, modification or repairs by other than RYOBI™ Phone Works™ Service Department. One World Technologies, Inc. makes no warranties, representations or promises as to the quality or performance of its power tools other than those specifically stated in this warranty.

**HOW TO GET SERVICE:** Return the RYOBI™ Phone Works™ Item to RYOBI™ Phone Works™ Service Department at the address below, freight prepaid. Insurance is required.

**RYOBI™ Phone Works™ Service Department**  
**1428 Pearman Dairy Road,**  
**Anderson, SC 29625**

When you request warranty service, you must also present proof of purchase documentation, which includes the date of purchase (for example, a bill of sale). We will repair any faulty workmanship, and either repair or replace any defective part, at our option. We will do so without any charge to you. We will complete the work in a reasonable time, but, in any case, within ninety (90) days or less.

For any additional questions or customer service please contact RYOBI™ Phone Works™ at 1-877-578-6736 or by logging on to [www.ryobitools.com/phoneworks](http://www.ryobitools.com/phoneworks).

**ADDITIONAL LIMITATIONS:** Any implied warranties granted under state law, including warranties of merchantability or fitness for a particular purpose, are limited to three years from the date of purchase. One World Technologies, Inc. is not responsible for direct, indirect, or incidental damages, so the above limitations and exclusions may not apply to you. This warranty gives you specific legal rights, and you may also have other rights which vary from state to state.