

REPAIR SHEET

BRAND

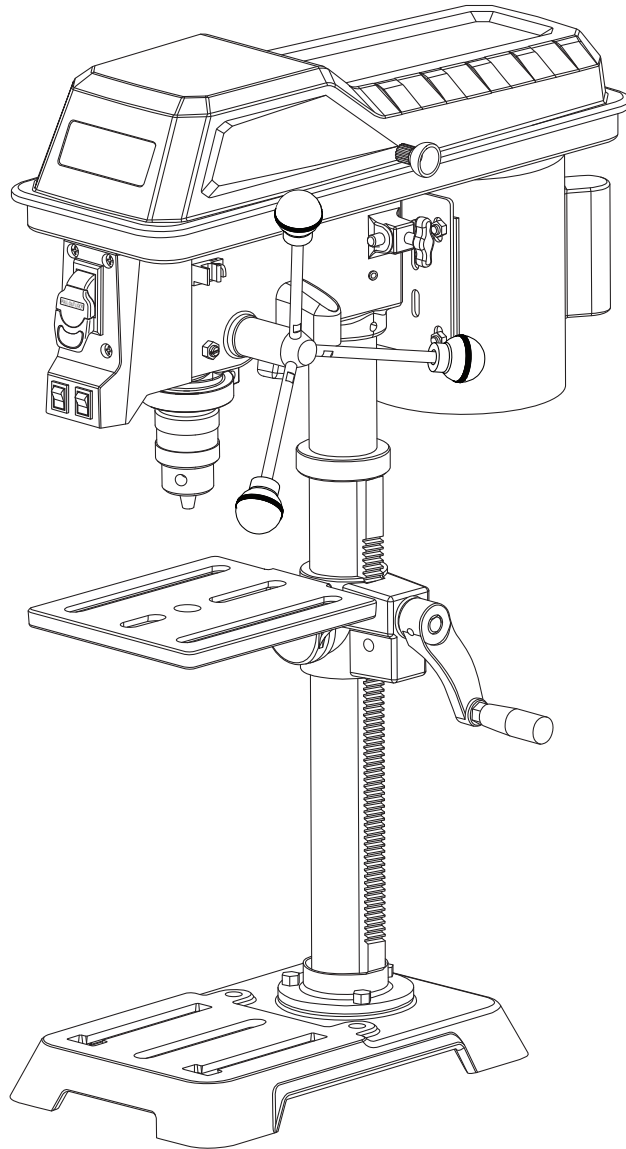
RYOBI

DESCRIPTION

10 in. Drill Press

MODEL NO.

DP103L



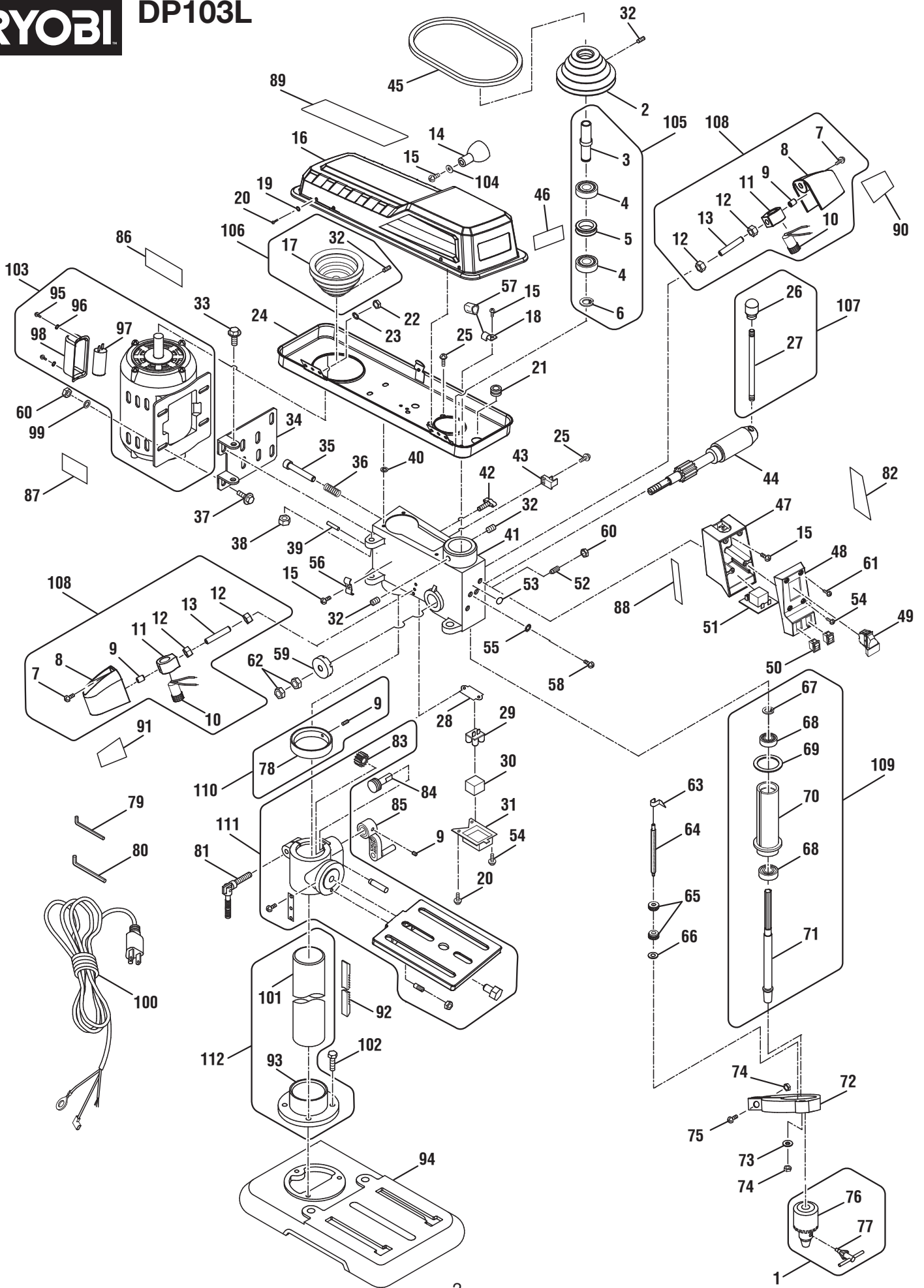
TTI CONSUMER POWER TOOLS, INC.

P.O. Box 1288, Anderson, SC 29622 ■ 1-800-525-2579 ■ www.ryobitools.com

3-9-22 (Rev:05)

The model number and manufacturing location will be found on a label attached to the product. Always mention this information in all communications regarding this product and when ordering parts.

RYOBI DP103L



**DP103L****PARTS LIST**

KEY NO.	PART NO.	DESCRIPTION	QTY.
1	089140314710	Chuck and Key Assembly (Inc. Key Nos. 76-77)	1
2	089140314113	Driven Pulley	1
3	089140314110	Transmission Shaft	1
4	089140314004	Ball Bearing (6203RZ)	2
5	089140314005	Spacer Ring	1
6	089140314006	Spring Washer	1
7	089140314007	Screw (M6 x 12 mm)	2
8	089140314712	Laser Cover Assembly (Inc. Key Nos. 111-112)	2
9	089140314009	Set Screw (M6 x 10 mm)	4
10	089140314010	Laser Lamp	2
11	089140314011	Lamp Bracket	2
12	089140314012	Hex Nut (M6)	4
13	089140314013	Hex Screw (M6 x 25 mm)	2
14	089140314014	Belt Cover Handle	1
15	089140314015	Screw (M5 x 12 mm, Pan Hd.)	7
16	089140314713	Upper Belt Cover Assembly (Inc. Key Nos 105 & 110)	1
17	089140314017	Drive Pulley	1
18	089140314018	Cord Clamp	3
19	089140314019	Washer	4
20	089140314020	Screw (M4 x 10 mm, Pan Hd.)	6
21	089140314021	Grommet	2
22	089140314022	Hex Nut (M4)	4
23	089140314023	External Tooth Lock Washer	4
24	089140314024	Lower Cover	1
25	089140314025	Screw (M6 x 12 mm, Pan Hd.)	5
26	089140314109	Handle Head	3
27	089140314027	Handle Bar	3
28	089140314028	LED Cover	1
29	089140314029	LED Lamp	1
30	089140314030	LED Shade	1
31	089140314031	LED Holder	1
32	089140314108	Set Screw (M8 x 8 mm)	4
33	089140314033	Screw (M8 x 25 mm, Hex Hd.)	2
34	089140314034	Connect Plate	1
35	089140314035	Motor Rod	1
36	089140314036	Compression Spring	1
37	089140314037	Screw (M8 x 16 mm, Flange Hex Hd.)	4
38	089140314038	Lock Nut (M8)	2
39	089140314039	Spring Pin (4 x 18)	1
40	089140314040	Washer (6.3 x 19 x 4t)	4
41	089140314041	Head	1
42	089140314042	Knob Screw	1

KEY NO.	PART NO.	DESCRIPTION	QTY.
43	089140314043	Chuck Key Holder	1
44	089140314044	Gear Shaft Assembly	1
45	089140314045	V Belt (K-30)	1
46	089140314900	Logo Label	1
47	089140314047	Switch Box	1
48	089140314048	Switch Box Cover	1
49	089140314049	Switch Key	1
50	089140314050	Switch	2
51	089140314051	Circuit Board Assembly	1
52	089140314052	Set Screw (M8 x 14 mm)	1
53	089140314053	Ground Label	1
54	089140314054	Screw (M4.2 x 12 mm)	4
55	089140314055	External Tooth Lock Washer	2
56	089140314056	Cord Clamp	1
57	089140314057	Sleeve	3
58	089140314058	Screw (M5 x 6 mm)	2
59	089140314059	Torsion Spring and Cap Assembly	1
60	089140314060	Hex Nut (M8)	5
61	089140314061	Screw (M4.2 x 25 mm)	2
62	089140314062	Hex Nut (3/8-24)	2
63	089140314106	Pointer	1
64	089140314064	Set Bolt	1
65	089140314065	Hex Nut (M10)	2
66	089140314066	Big Washer	1
67	089140314067	Retaining Ring	1
68	089140314068	Ball Bearing (6201RZ)	2
69	089140314069	Rubber Washer	1
70	089140314070	Quill	1
71	089140314111	Shaft	1
72	089140314072	Depth Adjustment Bracket	1
73	089140314073	Washer (M6)	1
74	089140314074	Hex Nut (M6)	2
75	089140314075	Cap Screw (M6 x 20, Hex Soc. Hd.)	1
76	089140314076	Chuck	1
77	089140314077	Chuck Key	1
78	089140314078	Rack Ring	1
79	089140314079	Hex Key (M3 x 57 mm)	1
80	089140314080	Hex Key (M4 x 64 mm)	1
81	089140314107	Table Lock Handle	1
82	089140314901	Laser Danger Label	1
83	089140314083	Inner Gear	1
84	089140314084	Worm Gear	1
85	089140314085	Crank Handle	1
86	089140314902	Warning Label	1

**DP103L****PARTS LIST**

KEY NO.	PART NO.	DESCRIPTION	QTY.
87	089140314903	Data Label	1
88	089140314904	Depth Scale Label	1
89	089140314911	Speed Chart Label	1
90	089140314909	Aperture Warning Label (Right)	1
91	089140314906	Aperture Warning Label (Left)	1
92	089140314092	Rack	1
93	089140314093	Column Table	1
94	089140314094	Base	1
95	089140314095	Screw (M4 x 6 mm)	2
96	089140314096	Washer (M4)	2
97	089140314097	Capacitor	1
98	089140314098	Capacitor Cover	1
99	089140314099	Washer	4
100	089140314100	Power Cord	1
101	089140314101	Pillar	1
102	089140314102	Hex Bolt (M8 x 25 mm)	3
103	089140314704	Motor Assembly (Inc. Key Nos. 86-87 & 95-98)	1

KEY NO.	PART NO.	DESCRIPTION	QTY.
104	089140314104	Washer	1
105	089140314719	Transmission Assembly (Inc. Key Nos. 3-6)	1
106	089140314720	Drive Pulley Assembly (Inc. Key Nos. 17 & 32)	1
107	089140314703	Feed Handle Assembly (Inc. Key Nos. 26-27)	1
108	089140314705	Laser Assembly (Inc. Key Nos. 7-13)	2
109	089140314721	Spindle Assembly (Inc. Key Nos. 67-71)	1
110	089140314707	Rack Ring Assembly (Inc. Key Nos. 9 & 78)	1
111	089140314708	Table and Table Bracket Assembly (Inc. Key No. 83)	1
112	089140314709	Pillar Assembly (Inc. Key Nos. 93 & 101)	1
	Not Shown:		
	990000846	Operator's Manual (089140314910)	
	965001388-01A	Pack-in Card	

