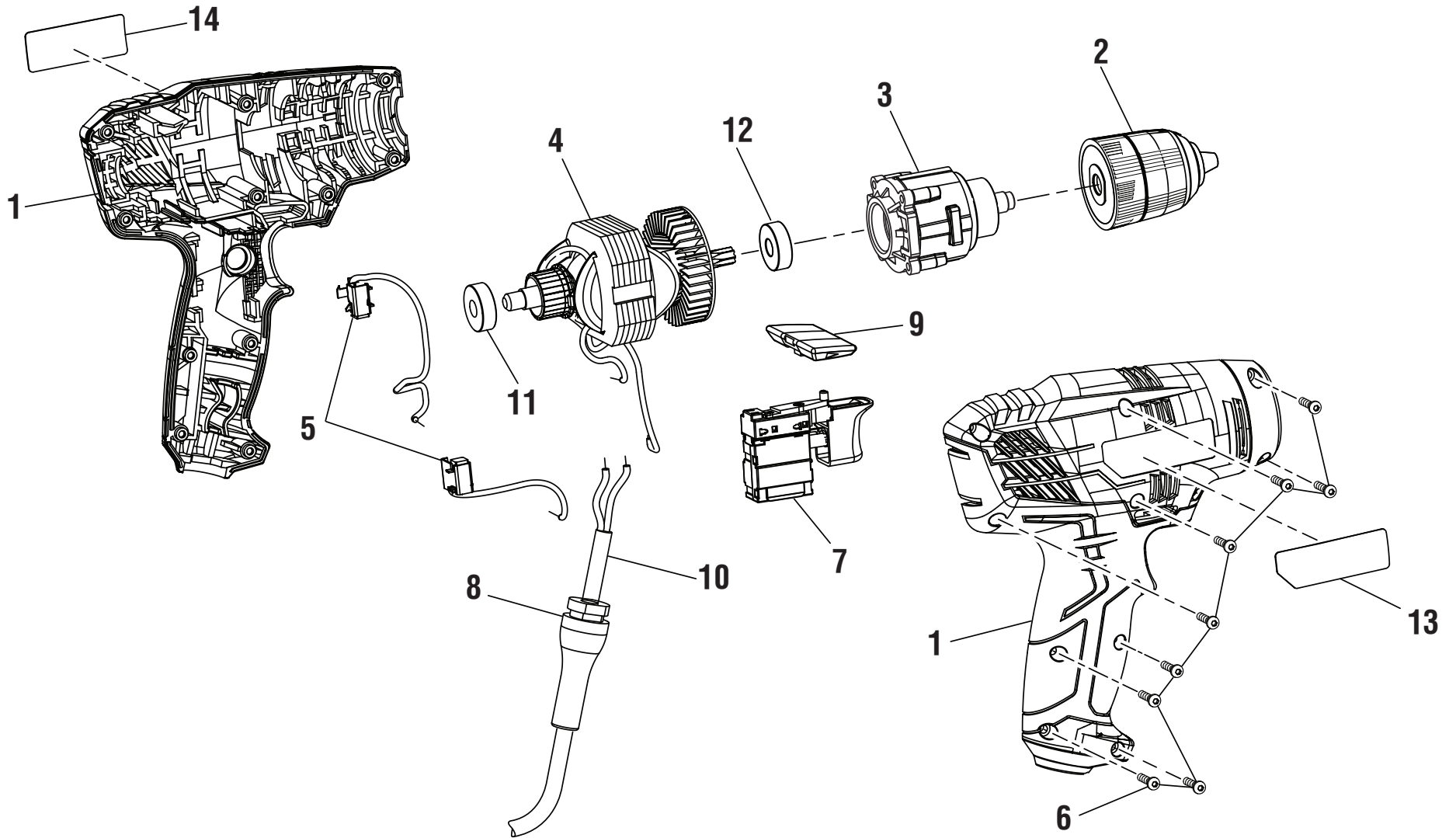


RYOBI
3/8 in. Drill
Model Number D43
Repair Sheet

ONE WORLD TECHNOLOGIES, INC.
P.O. Box 1288, Anderson, SC 29622 • Phone 1-800-525-2579
www.ryobitools.com

RYOBI 3/8 in. DRILL - MODEL NUMBER D43



RYOBI 3/8 in. DRILL – MODEL NUMBER D43

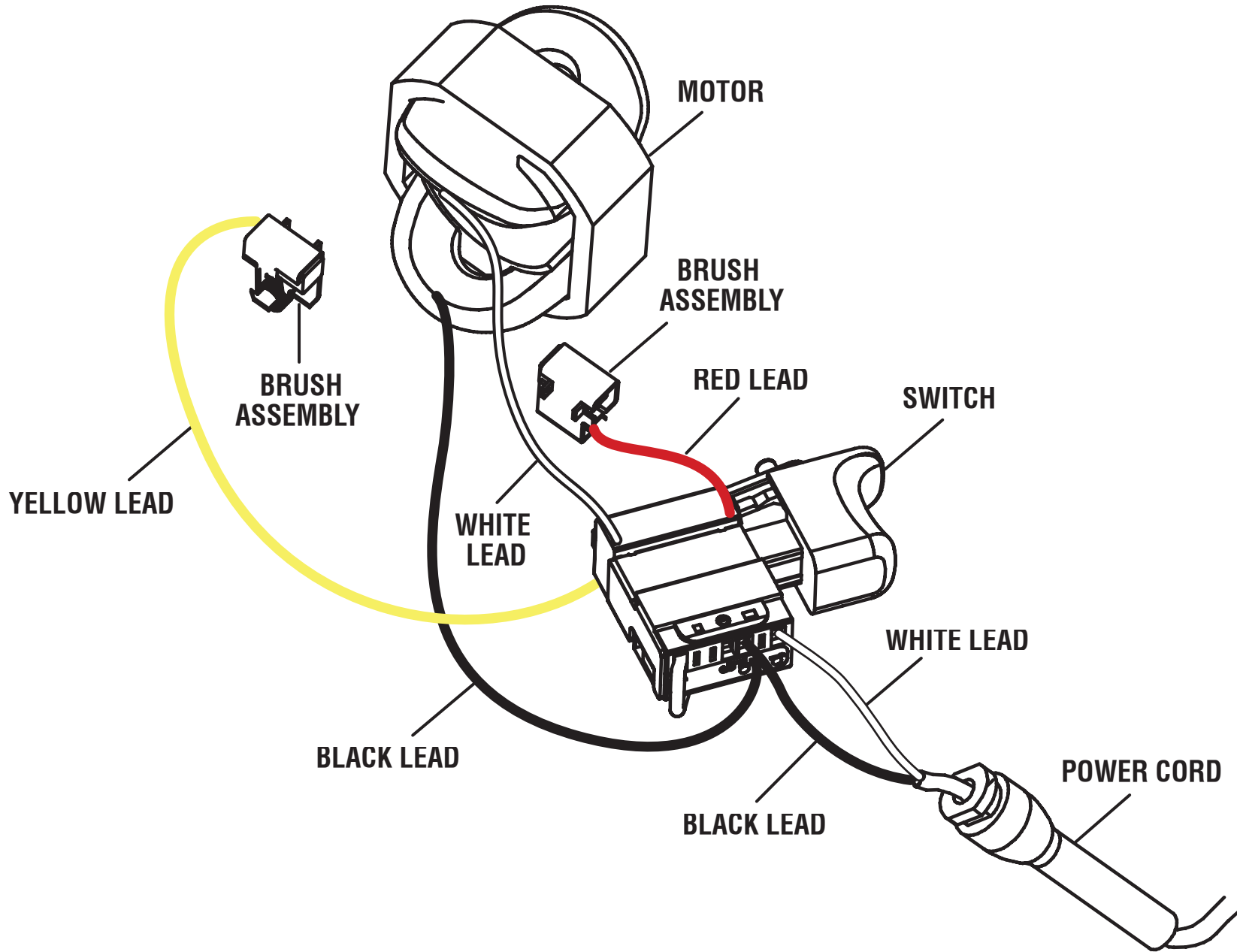
The model number will be found on a label attached to the motor housing. Always mention the model number in all correspondence regarding your **3/8 in. DRILL** or when ordering parts.

PARTS LIST

KEY NO	PART NUMBER	DESCRIPTION	QTY
1	203364001	Housing Assembly (Incl. Key Nos. 13 and 14).....	1
2	670756010	Chuck.....	1
3	206286001	Gearbox and Shaft Assembly.....	1
4	206287001	Motor Assembly (Incl. Key Nos. 11 and 12).....	1
5	290069252	Brush Assembly.....	1
6	660206042	Screw (M3.5 x 16 mm).....	11
7	760537001	Switch.....	1
8	551073001	Bend Relief	1
9	519384004	Forward/Reverse Button.....	1
10	730372015	Power Cord.....	1
11	671419002	Ball Bearing (608ZZ)	1
12	680966003	Ball Bearing (608 2RS).....	1
13	941121362	Data Label.....	1
14	940114178	Logo Label	1

NOT SHOWN:

902033042	Tool Bag
991000095	Operator's Manual
4-23-19	
(Rev:02)	



WIRING DIAGRAM