



# OPERATOR'S MANUAL

## MANUEL D'UTILISATION

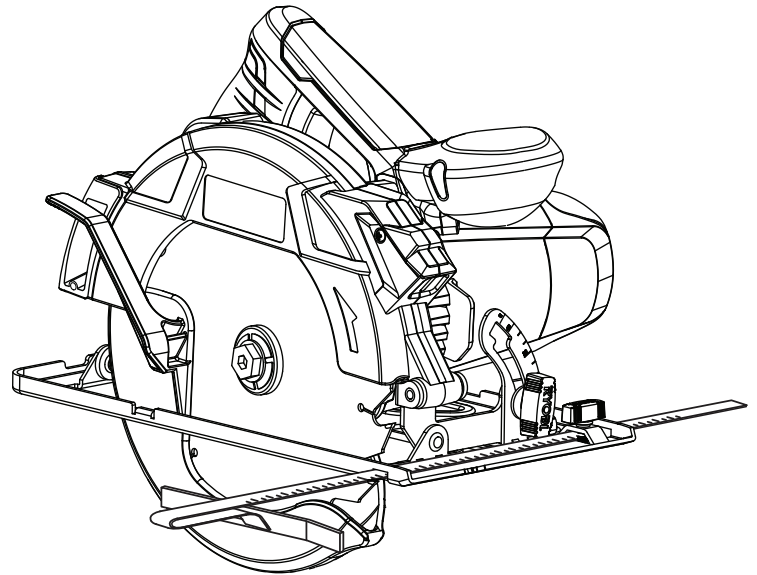
## MANUAL DEL OPERADOR

### 7-1/4 in. CIRCULAR SAW WITH LASER

### DOUBLE INSULATED

### SCIE CIRCULAIRE AVEC LASER DE 184 mm (7-1/4 po) DOUBLE ISOLATION

### SIERRA CIRCULAR CON LÁSER DE 184 mm (7-1/4 pulg.) DOBLE AISLAMIENTO



## CSB144LZ

**INCLUDES:** Circular Saw, 7-1/4 in. Blade, Blade Wrench, Edge Guide, Tool Bag, Operator's Manual

### TABLE OF CONTENTS

\*\*\*\*\*

- General Power Tool Safety Warnings .....2-3
- Circular Saw Safety Warnings .....3-4
- Symbols.....5
- Electrical.....6
- Features.....7
- Assembly.....7-8
- Operation.....8-12
- Adjustments .....12-13
- Maintenance.....14
- Accessories .....14
- Illustrations .....16
- Parts Ordering / Service ..... Back Page

**INCLUT :** Scie circulaire, Lame de 184 mm (7-1/4 po), Clé de lame, Guide de chant, Sacoche, Manuel d'utilisation

### TABLE DES MATIÈRES

\*\*\*\*\*

- Règles de sécurité relatives aux outils électriques .....2-3
- Avertissements de sécurité relatifs au scie circulaire.....3-4
- Symboles.....5
- Caractéristiques électriques.....6
- Caractéristiques .....7
- Assemblage.....7-8
- Utilisation.....8-12
- Réglages.....12-13
- Entretien .....14
- Accessoires .....14
- Illustrations .....16
- Commande de pièces / réparation.....Page arrière

**INCLUYE:** Sierra circular, Hoja de 184 mm (7-1/4 pulg.), Llave de la hoja, Guía de bordes, Bolsa de herramientas, Manual del operador

### ÍNDICE DE CONTENIDO

\*\*\*\*\*

- Advertencias de seguridad para herramientas eléctricas.....2-3
- Advertencias de seguridad sierra circular.....3-4
- Símbolos .....5
- Aspectos eléctricos.....6
- Características .....7
- Armado.....7-8
- Funcionamiento.....8-12
- Ajustes.....12-13
- Mantenimiento.....14
- Accesorios.....14
- Ilustraciones .....16
- Pedidos de piezas / servicio..... Pág. posterior

**⚠ WARNING:** To reduce the risk of injury, the user must read and understand the operator's manual before using this product.

**⚠ AVERTISSEMENT :** Pour réduire les risques de blessures, l'utilisateur doit lire et veiller à bien comprendre le manuel d'utilisation avant d'employer ce produit.

**⚠ ADVERTENCIA:** Para reducir el riesgo de lesiones, el usuario debe leer y comprender el manual del operador antes de usar este producto.

**SAVE THIS MANUAL FOR FUTURE REFERENCE**

**CONSERVER CE MANUEL POUR FUTURE RÉFÉRENCE**

**GUARDE ESTE MANUAL PARA FUTURAS CONSULTAS**

# GENERAL POWER TOOL SAFETY WARNINGS

## WARNING

**Read all safety warnings and all instructions.** Failure to follow the warnings and instructions may result in electric shock, fire and/or serious injury.

**Save all warnings and instructions for future reference.** The term “power tool” in the warnings refers to your mains-operated (corded) power tool or battery-operated (cordless) power tool.

## WORK AREA SAFETY

- **Keep work area clean and well lit.** Cluttered or dark areas invite accidents.
- **Do not operate power tools in explosive atmospheres, such as in the presence of flammable liquids, gases or dust.** Power tools create sparks which may ignite the dust or fumes.
- **Keep children and bystanders away while operating a power tool.** Distractions can cause you to lose control.

## ELECTRICAL SAFETY

- **Power tool plugs must match the outlet. Never modify the plug in any way. Do not use any adapter plugs with earthed (grounded) power tools.** Unmodified plugs and matching outlets will reduce risk of electric shock.
- **Avoid body contact with earthed or grounded surfaces such as pipes, radiators, ranges and refrigerators.** There is an increased risk of electric shock if your body is earthed or grounded.
- **Do not expose power tools to rain or wet conditions.** Water entering a power tool will increase the risk of electric shock.
- **Do not abuse the cord. Never use the cord for carrying, pulling or unplugging the power tool. Keep cord away from heat, oil, sharp edges or moving parts.** Damaged or entangled cords increase the risk of electric shock.
- **When operating a power tool outdoors, use an extension cord suitable for outdoor use.** Use of a cord suitable for outdoor use reduces the risk of electric shock.
- **If operating a power tool in a damp location is unavoidable, use a ground fault circuit interrupter (GFCI) protected supply.** Use of a GFCI reduces the risk of electric shock.

## PERSONAL SAFETY

- **Stay alert, watch what you are doing and use common sense when operating a power tool. Do not use a power tool while you are tired or under the influence of drugs, alcohol or medication.** A moment of inattention while operating power tools may result in serious personal injury.

- **Use personal protective equipment. Always wear eye protection.** Protective equipment such as dust mask, non-skid safety shoes, hard hat, or hearing protection used for appropriate conditions will reduce personal injuries.
- **Prevent unintentional starting. Ensure the switch is in the off-position before connecting to power source and/or battery pack, picking up or carrying the tool.** Carrying power tools with your finger on the switch or energising power tools that have the switch on invites accidents.
- **Remove any adjusting key or wrench before turning the power tool on.** A wrench or a key left attached to a rotating part of the power tool may result in personal injury.
- **Do not overreach. Keep proper footing and balance at all times.** This enables better control of the power tool in unexpected situations.
- **Dress properly. Do not wear loose clothing or jewellery. Keep your hair, clothing and gloves away from moving parts.** Loose clothes, jewellery or long hair can be caught in moving parts.
- **If devices are provided for the connection of dust extraction and collection facilities, ensure these are connected and properly used.** Use of dust collection can reduce dust-related hazards.
- **Do not wear loose clothing or jewelry. Contain long hair.** Loose clothes, jewelry, or long hair can be drawn into air vents.
- **Do not use on a ladder or unstable support.** Stable footing on a solid surface enables better control of the power tool in unexpected situations.

## POWER TOOL USE AND CARE

- **Do not force the power tool. Use the correct power tool for your application.** The correct power tool will do the job better and safer at the rate for which it was designed.
- **Do not use the power tool if the switch does not turn it on and off.** Any power tool that cannot be controlled with the switch is dangerous and must be repaired.
- **Disconnect the plug from the power source and/or the battery pack from the power tool before making any adjustments, changing accessories, or storing power tools.** Such preventive safety measures reduce the risk of starting the power tool accidentally.
- **Store idle power tools out of the reach of children and do not allow persons unfamiliar with the power tool or these instructions to operate the power tool.** Power tools are dangerous in the hands of untrained users.
- **Maintain power tools. Check for misalignment or binding of moving parts, breakage of parts and any other condition that may affect the power tool's operation. If damaged, have the power tool repaired before use.** Many accidents are caused by poorly maintained power tools.

# GENERAL POWER TOOL SAFETY WARNINGS

- **Keep cutting tools sharp and clean.** Properly maintained cutting tools with sharp cutting edges are less likely to bind and are easier to control.
- **Use the power tool, accessories and tool bits etc. in accordance with these instructions, taking into account the working conditions and the work to be performed.** Use of the power tool for operations different from those intended could result in a hazardous situation.

## **WARNING:**

Never use abrasive cut-off wheels of any kind with this saw. Use of non wood cutting blades can result in property damage or serious personal injury.

## SERVICE

- **Have your power tool serviced by a qualified repair person using only identical replacement parts.** This will ensure that the safety of the power tool is maintained.
- **When servicing a power tool, use only identical replacement parts. Follow instructions in the Maintenance section of this manual.** Use of unauthorized parts or failure to follow Maintenance instructions may create a risk of shock or injury.

# CIRCULAR SAW SAFETY WARNINGS

## CUTTING PROCEDURES

### **DANGER:**

**Keep hands away from cutting area and the blade. Keep your second hand on auxiliary handle, or motor housing.** If both hands are holding the saw, they cannot be cut by the blade.

- **Do not reach underneath the workpiece.** The guard can not protect you from the blade below the workpiece.
- **Adjust the cutting depth to the thickness of the workpiece.** Less than a full tooth of the blade teeth should be visible below the workpiece.
- **Never hold piece being cut in your hands or across your leg. Secure the workpiece to a stable platform.** It is important to support the work properly to minimize body exposure, blade binding, or loss of control.
- **Hold the power tool by insulated gripping surfaces only, when performing an operation where the cutting tool may contact hidden wiring or its own cord.** Contact with a “live” wire will also make exposed metal parts of the power tool “live” and could give the operator an electric shock.
- **When ripping, always use a rip fence or straight edge guide.** This improves the accuracy of cut and reduces the chance of blade binding.
- **Always use blades with correct size and shape (diamond versus round) of arbour holes.** Blades that do not match the mounting hardware of the saw will run eccentrically, causing loss of control.
- **Never use damaged or incorrect blade washers or bolt.** The blade washers and bolt were specially designed for your saw, for optimum performance and safety of operation.

## KICKBACK CAUSES AND RELATED WARNINGS

- Kickback is a sudden reaction to a pinched, bound or misaligned saw blade, causing an uncontrolled saw to lift up and out of the workpiece toward the operator.
- When the blade is pinched or bound tightly by the kerf closing down, the blade stalls and the motor reaction drives the unit rapidly back toward the operator.
- If the blade becomes twisted or misaligned in the cut, the teeth at the back edge of the blade can dig into the top surface of the wood causing the blade to climb out of the kerf and jump back toward the operator.

Kickback is the result of saw misuse and/or incorrect operating procedures or conditions and can be avoided by taking proper precautions as given below:

- **Maintain a firm grip with both hands on the saw and position your arms to resist kickback forces. Position your body to either side of the blade, but not in line with the blade.** Kickback could cause the saw to jump backwards, but kickback forces can be controlled by the operator, if proper precautions are taken.
- **When blade is binding, or when interrupting a cut for any reason, release the trigger and hold the saw motionless in the material until the blade comes to a complete stop. Never attempt to remove the saw from the work or pull the saw backward while the blade is in motion or kickback may occur.** Investigate and take corrective actions to eliminate the cause of blade binding.
- **When restarting a saw in the workpiece, centre the saw blade in the kerf and check that saw teeth are not engaged into the material.** If saw blade is binding, it may walk up or kickback from the workpiece as the saw is restarted.

# CIRCULAR SAW SAFETY WARNINGS

- **Support large panels to minimise the risk of blade pinching and kickback.** Large panels tend to sag under their own weight. Supports must be placed under the panel on both sides, near the line of cut and near the edge of the panel.
- **Do not use dull or damaged blades.** Unsharpened or improperly set blades produce narrow kerf causing excessive friction, blade binding and kickback.
- **Blade depth and bevel adjusting locking levers must be tight and secure before making cut.** If blade adjustment shifts while cutting, it may cause binding and kickback.
- **Use extra caution when sawing into existing walls or other blind areas.** The protruding blade may cut objects that can cause kickback.
- **Always wear eye protection with side shields marked to comply with ANSI Z87.1.** Failure to do so could result in objects being thrown into your eyes, resulting in possible serious injury.
- **Protect your lungs. Wear a face or dust mask if the operation is dusty.** Following this rule will reduce the risk of serious personal injury.
- **Protect your hearing. Wear hearing protection during extended periods of operation.** Following this rule will reduce the risk of serious personal injury.
- **Inspect tool cords periodically and, if damaged, have repaired at your nearest authorized service center. Constantly stay aware of cord location.** Following this rule will reduce the risk of electric shock or fire.

## LOWER GUARD FUNCTION




- **Check lower guard for proper closing before each use. Do not operate the saw if lower guard does not move freely and close instantly. Never clamp or tie the lower guard into the open position.** If saw is accidentally dropped, lower guard may be bent. Raise the lower guard with the retracting handle and make sure it moves freely and does not touch the blade or any other part, in all angles and depths of cut.
- **Check the operation of the lower guard spring. If the guard and the spring are not operating properly, they must be serviced before use.** Lower guard may operate sluggishly due to damaged parts, gummy deposits, or a build-up of debris.
- **Lower guard should be retracted manually only for special cuts such as “plunge cuts” and “compound cuts.” Raise lower guard by retracting handle and as soon as blade enters the material, the lower guard must be released.** For all other sawing, the lower guard should operate automatically.
- **Always observe that the lower guard is covering the blade before placing saw down on bench or floor.** An unprotected, coasting blade will cause the saw to walk backwards, cutting whatever is in its path. Be aware of the time it takes for the blade to stop after switch is released.
- **Check damaged parts. Before further use of the tool, a guard or other part that is damaged should be carefully checked to determine that it will operate properly and perform its intended function. Check for alignment of moving parts, binding of moving parts, breakage of parts, mounting, and any other conditions that may affect its operation. A guard or other part that is damaged should be properly repaired or replaced by an authorized service center.** Following this rule will reduce the risk of shock, fire, or serious injury.
- **Make sure your extension cord is in good condition. When using an extension cord, be sure to use one heavy enough to carry the current your product will draw. A wire gauge size (A.W.G.) of at least 12 is recommended for an extension cord 50 feet or less in length. A cord exceeding 100 feet is not recommended. If in doubt, use the next heavier gauge. The smaller the gauge number, the heavier the cord.** An undersized cord will cause a drop in line voltage resulting in loss of power and overheating.
- **Inspect for and remove all nails from lumber before using this tool.** Following this rule will reduce the risk of serious personal injury.
- **If the power supply cord is damaged, it must be replaced only by the manufacturer or by an authorized service center to avoid risk.**

## ADDITIONAL SAFETY RULES







- **Use clamps or other practical way to secure and support the workpiece to a stable platform.** Holding the work by hand or against your body is unstable and may lead to loss of control.
- **Know your power tool. Read operator’s manual carefully. Learn its applications and limitations, as well as the specific potential hazards related to this tool.** Following this rule will reduce the risk of electric shock, fire, or serious injury.
- **Save these instructions.** Refer to them frequently and use them to instruct others who may use this tool. If you loan someone this tool, loan them these instructions also.

# SYMBOLS

The following signal words and meanings are intended to explain the levels of risk associated with this product.

SYMBOL	SIGNAL	MEANING
	<b>DANGER:</b>	Indicates a hazardous situation, which, if not avoided, will result in death or serious injury.
	<b>WARNING:</b>	Indicates a hazardous situation, which, if not avoided, could result in death or serious injury.
	<b>CAUTION:</b>	Indicates a hazardous situation, that, if not avoided, may result in minor or moderate injury.
	<b>NOTICE:</b>	(Without Safety Alert Symbol) Indicates information considered important, but not related to a potential injury (e.g. messages relating to property damage).

Some of the following symbols may be used on this product. Please study them and learn their meaning. Proper interpretation of these symbols will allow you to operate the product better and safer.

SYMBOL	NAME	DESIGNATION/EXPLANATION
	Safety Alert	Indicates a potential personal injury hazard.
	Read Operator's Manual	To reduce the risk of injury, user must read and understand operator's manual before using this product.
	Eye Protection	Always wear eye protection with side shields marked to comply with ANSI Z87.1.
	Wet Conditions Alert	Do not expose to rain or use in damp locations.
	No Hands Symbol	Failure to keep your hands away from the blade will result in serious personal injury.
V	Volts	Voltage
A	Amperes	Current
Hz	Hertz	Frequency (cycles per second)
min	Minutes	Time
~	Alternating Current	Type of current
$n_0$	No Load Speed	Rotational speed, at no load
	Class II Construction	Double-insulated construction
.../min	Per Minute	Revolutions, strokes, surface speed, orbits etc., per minute



# ELECTRICAL

## DOUBLE INSULATION

Double insulation is a concept in safety in electric power tools, which eliminates the need for the usual three-wire grounded power cord. All exposed metal parts are isolated from the internal metal motor components with protecting insulation. Double insulated tools do not need to be grounded.

### **WARNING:**

The double insulated system is intended to protect the user from shock resulting from a break in the tool's internal insulation. Observe all normal safety precautions to avoid electrical shock.

**NOTE:** Servicing of a product with double insulation requires extreme care and knowledge of the system and should be performed only by a qualified service technician. For service, we suggest you return the product to your nearest authorized service center for repair. Always use original factory replacement parts when servicing.

## ELECTRICAL CONNECTION

This product has a precision-built electric motor. It should be connected to a **power supply that is 120 V, AC only (normal household current), 60 Hz**. Do not operate this product on direct current (DC). A substantial voltage drop will cause a loss of power and the motor will overheat. If the product does not operate when plugged into an outlet, double-check the power supply.

## EXTENSION CORDS

When using a power tool at a considerable distance from a power source, be sure to use an extension cord that has the capacity to handle the current the product will draw. An undersized cord will cause a drop in line voltage, resulting in overheating and loss of power. Use the chart to determine the minimum wire size required in an extension cord. Only round jacketed cords listed by Underwriter's Laboratories (UL) should be used.

When working outdoors with a product, use an extension cord that is designed for outside use. This type of cord is designated with "WA" or "W" on the cord's jacket.

Before using any extension cord, inspect it for loose or exposed wires and cut or worn insulation.

\*\*Ampere rating (on product data plate)

Cord Length	Wire Size (A.W.G.)					
	0-2.0	2.1-3.4	3.5-5.0	5.1-7.0	7.1-12.0	12.1-16.0
25'	16	16	16	16	14	14
50'	16	16	16	14	14	12
100'	16	16	14	12	10	—

\*\*Used on 12 gauge - 20 amp circuit.

**NOTE:** AWG = American Wire Gauge

### **WARNING:**

Keep the extension cord clear of the working area. Position the cord so that it will not get caught on lumber, tools, or other obstructions while you are working with a power tool. Failure to do so can result in serious personal injury.

### **WARNING:**

Check extension cords before each use. If damaged replace immediately. Never use the product with a damaged cord since touching the damaged area could cause electrical shock resulting in serious injury.

# FEATURES

## PRODUCT SPECIFICATIONS

Blade Diameter.....	7-1/4 in.	Cutting Depth at 51.5°.....	1-11/16 in.
Blade Arbor .....	5/8 in.	No Load Speed .....	5,200 r/min. (RPM)
Cutting Depth at 0°.....	2-7/16 in.	Input .....	120 V, AC only, 60 Hz, 15 A
Cutting Depth at 45°.....	1-7/8 in.	Laser Guide .....	Class IIIa, <5mW max, 650nm

# ASSEMBLY

## UNPACKING

This product requires assembly.

- Carefully remove the product and any accessories from the box. All items listed in the **Includes** section must be included at the time of purchase.

### **WARNING:**

Items in this *Assembly* section are not assembled to the product by the manufacturer and require customer installation. Use of a product that may have been improperly assembled could result in serious personal injury.

- If any parts are damaged or missing, please call 1-800-525-2579 for assistance.

### **WARNING:**

If any parts are damaged or missing do not operate this product until the parts are replaced. Use of this product with damaged or missing parts could result in serious personal injury.

### **WARNING:**

Do not attempt to modify this product or create accessories or attachments not recommended for use with this product. Any such alteration or modification is misuse and could result in a hazardous condition leading to possible serious personal injury.

### **WARNING:**

Do not connect to power supply until assembly is complete. Failure to comply could result in accidental starting and possible serious personal injury.

### **WARNING:**

A 7-1/4 in. blade is the maximum blade capacity of the saw. Also, never use a blade that is too thick to allow outer blade washer to engage with the flat on the spindle. Larger blades will come in contact with the blade guards, while thicker blades will prevent blade screw from securing blade on spindle. Either of these situations could result in a serious accident.

### **NOTICE:**

To prevent damage to the spindle or spindle lock, always allow motor to come to a complete stop before engaging spindle lock.

## INSTALLING/REMOVING THE BLADE

See Figures 2 - 3, page 16.

### To install the blade:

- Unplug the saw.
- Depress and hold spindle lock button.
- Remove blade screw by turning it counterclockwise with the blade wrench, while keeping the spindle lock button depressed.
- Remove spring washer and outer blade washer (“D” washer).
- Wipe a drop of oil onto the inner flange bushing and outer blade washer (“D” washer) where they contact blade.
- Retract the lower blade guard into the upper blade guard using the lower blade guard handle. Make sure the lower guard spring works properly, allowing the guard to move freely.
- Check to see that the saw teeth and arrow on the saw blade and the arrow on the upper guard are pointing in the same direction.

**NOTE:** The saw teeth point upward at the front of the saw as shown.

# ASSEMBLY

## **WARNING:**

If inner flange bushing has been removed, replace it in the correct orientation (per markings on the bushing) before placing blade on spindle. Failure to do so will prevent blade from tightening properly and could result in serious personal injury.

- Fit the saw blade inside the lower blade guard and onto the spindle.
- Replace outer blade washer (“D” washer).
- Replace spring washer with cupped side against “D” washer.

- Depress spindle lock button and replace blade screw.
- Tighten blade screw securely by turning it clockwise with the blade wrench.

**NOTE:** Never use a blade that is too thick to allow the outer blade washer (“D” washer) to engage with the flat on the spindle.

### **To remove the blade:**

- Unplug the saw.
- Depress and hold spindle lock button.
- Remove blade screw by turning it counterclockwise with the blade wrench, while keeping the spindle lock button depressed.
- Remove spring washer and then remove outer blade washer (“D” washer).
- Lift lower blade guard.
- Remove blade.

# OPERATION

## **DANGER:**

**Keep hands away from cutting area and the blade. Keep your second hand on auxiliary handle, or motor housing.** If both hands are holding the saw, they cannot be cut by the blade.

## **WARNING:**

Do not allow familiarity with this product to make you careless. Remember that a careless fraction of a second is sufficient to inflict serious injury.

## **WARNING:**

Always wear eye protection with side shields marked to comply with ANSI Z87.1. Failure to do so could result in objects being thrown into your eyes resulting in possible serious injury.

## **WARNING:**

Never use abrasive cut-off wheels of any kind with this saw. Use of non wood cutting blades can result in property damage or serious personal injury.

## **KICKBACK**

*See Figures 4 - 7, page 17.*

Kickback occurs when the blade stalls rapidly and the saw is driven back towards you. Blade stalling is caused by any action which pinches the blade in the wood.

## **DANGER:**

Release switch immediately if blade binds or saw stalls. Kickback could cause you to lose control of the saw. Loss of control can lead to serious injury.

To guard against kickback, avoid dangerous practices such as the following:

- Setting blade depth incorrectly
- Sawing into knots or nails in workpiece
- Twisting the blade while making a cut
- Making a cut with a dull, gummed up, or improperly set blade
- Supporting the workpiece incorrectly
- Forcing a cut
- Cutting warped or wet lumber
- Operating the tool incorrectly or misusing the tool

## **APPLICATIONS**

You may use this product for the purposes listed below:

- Cutting all types of wood products (lumber, plywood, paneling, composition board, and hard board)
- Cross cutting/rip cutting wood products
- Bevel cutting wood products
- Pocket cutting wood products



# OPERATION

To lessen the chance of kickback, follow these safety practices:

- Keep the blade at the correct depth setting. Less than a full tooth of the blade teeth should be visible below the workpiece.
- Inspect the workpiece for knots or nails before cutting. Never saw into a knot or nail.
- Make straight cuts. Always use a straight edge guide when rip cutting. This helps prevent twisting the blade.
- Use clean, sharp, and properly set blades. Never make cuts with dull blades.
- Support and clamp the workpiece properly before beginning a cut.
- Use steady, even pressure when making a cut. Never force a cut.
- Do not cut warped or wet lumber.
- Hold the saw firmly with both hands and keep your body in a balanced position so as to resist the forces if kickback should occur.

## WARNING:

When using the saw, always stay alert and exercise control. Do not remove the saw from the workpiece while the blade is moving.

## SAW BLADES

The best of saw blades will not cut efficiently if they are not kept clean, sharp, and properly set. Using a dull blade will place a heavy load on the saw and increase the danger of kickback. Keep extra blades on hand, so that sharp blades are always available.

Gum and wood pitch hardened on blades will slow the saw down. Remove saw blade from the saw and use gum and pitch remover, hot water, or kerosene to remove these accumulations. **DO NOT USE GASOLINE.**

## BLADE GUARD SYSTEM

See Figure 8, page 17.

The lower blade guard attached to the circular saw is there for your protection and safety. Do not alter it for any reason. If it becomes damaged, do not operate the saw until you have the guard repaired or replaced. Always leave guard in operating position when using the saw.

## DANGER:

When sawing through work, lower blade guard does not cover blade on the underside of work. Since blade is exposed on underside of work, keep hands and fingers away from cutting area. Any part of your body coming in contact with moving blade will result in serious injury.

## WARNING:

Never tie the lower blade guard in a raised position. Leaving the blade exposed could lead to serious injury.

## CAUTION:

Never use saw when guard is not operating correctly. Check the guard for correct operation before each use. The guard is operating correctly when it moves freely and readily returns to the closed position. If you drop the saw, check the lower blade guard and bumper for damage at all depth settings before reuse.

If at any time the lower blade guard does not snap closed, unplug the saw from the power supply. Exercise the lower guard by moving it rapidly back and forth from the full open position to the closed position several times. Normally this will restore the guard to its normal operating condition. If it does not correct a slow or sluggish closing lower guard, do not use the saw. Take it to an authorized factory service center for repair.

## STARTING/STOPPING THE SAW

See Figure 9, page 17.

**To start the saw:** depress the switch.

Always let the blade reach full speed, then guide the saw into the workpiece.

## WARNING:

The blade coming in contact with the workpiece before it reaches full speed could cause the saw to “kickback” towards you resulting in serious injury.

**To stop the saw:** release the switch.

After you release the switch, allow the blade to come to a complete stop. **Do not remove the saw from the workpiece while the blade is moving.**

## ADJUSTING BLADE DEPTH

See Figure 10, page 17.

Always keep correct blade depth setting. Less than a full tooth of the blade teeth should be visible below the workpiece. More blade depth will increase the chance of kickback and cause the cut to be rough. For more depth of cut accuracy, a scale is located on the upper blade guard.

**To adjust the blade depth:**

- Unplug the saw.
- Loosen depth lock lever on back of saw.
- Determine the desired depth of cut.
- Locate depth of cut scale and index point on back of upper blade guard.

# OPERATION

- Hold base flat against the workpiece and raise or lower saw until the index point (or reference mark) on bracket aligns with notch on blade guard.
- Tighten depth lock lever securely.

## LENGTH OF CUT SCALE

See Figure 11, page 17.

The saw is equipped with a length of cut scale on its base. It is parallel with the saw blade and can be used to measure the distance into the material the blade cuts.

**NOTE:** Six inches is the maximum length of cut that you can measure. Also, it is accurate only when the depth of cut is set at full maximum depth.

## USING THE LASER GUIDE

See Figure 12, page 17.

### WARNING:

Do not stare into the laser beam or turn the laser on when the tool is not in use. Failure to heed this warning could result in possible serious personal injury.

The laser unit comes from the factory already installed and aligned. If the laser becomes misaligned after time refer to the *Adjustments* section.

**NOTE:** Make a trial cut on a piece of scrap to ensure laser is aligned. Adjusting the laser may be necessary.

- Mark the line to be cut on the workpiece.
- Adjust the depth and angle of the cut as needed and lock the depth and bevel settings.
- Connect the saw to a power supply.
- Depress the switch to start the motor. The laser guide will turn on when the switch is depressed and turn off when the switch is released.

**NOTE:** Do not touch the blade to the workpiece until the saw has reached maximum speed.

- Slowly push the saw forward into the workpiece.  
**NOTE:** Keep the laser beam on the marked line on the workpiece for precision cutting.
- Once the cut is complete, allow the saw to come to a complete stop. The laser will turn off when the switch is released.

## OPERATING THE SAW

See Figures 13 - 15, pages 17 - 18.

It is important to understand the correct method for operating the saw. Refer to the figures in this section to learn the correct and incorrect ways for handling the saw.

### WARNING:

To make sawing easier and safer, always maintain proper control of the saw, by holding the saw with both hands. Loss of control could cause an accident resulting in possible serious injury.

### DANGER:

When lifting the saw from the workpiece, the blade is exposed on the underside of the saw until the lower blade guard closes. Make sure the lower blade guard is closed before setting the saw down.

### WARNING:

**Use clamps or other practical way to secure and support the workpiece to a stable platform.** Holding the work by hand or against your body is unstable and may lead to loss of control which could cause possible serious injury.

### To make the best possible cut:

- Hold the saw firmly with both hands.
- Avoid placing your hand on the workpiece while making a cut.
- Support the workpiece so that the cut (kerf) is always to your side.
- Support the workpiece near the cut.
- Clamp the workpiece securely so that the workpiece will not move during the cut.
- Always place the saw on the workpiece that is supported, not the “cut off” piece.
- Place the workpiece with the “good” side down.
- Draw a guideline along the desired line of cut before beginning your cut.
- Keep the cord away from the cutting area. Always place the cord to prevent it from hanging up on the workpiece while making a cut.

### DANGER:

If the cord hangs up on the workpiece during a cut, release the switch immediately and allow the blade to come to a complete stop. Unplug the saw and reposition the cord to prevent it from hanging up again.

# OPERATION

## **WARNING:**

Using a saw with a damaged cord could result in serious injury or death. If the cord has been damaged, have it replaced before using the saw again.

## **CROSS CUTTING/RIP CUTTING**

When making a cross cut or rip cut, align the line of cut with the outer blade guide notch on the base as shown in the figure.

Since blade thicknesses vary, always make a trial cut in scrap material along a guideline to determine how much, if any, you must offset the guideline to produce an accurate cut.

**NOTE:** The distance from the line of cut to the guideline is the amount you should offset the guide.

## **USING AN EDGE GUIDE**

See Figures 16 - 17, page 18.

Use the edge guide provided when making long or wide rip cuts with the saw.

### **To install the edge guide:**

- Unplug the saw.
- Place edge guide through slots in base.
- Adjust edge guide to the width needed.
- Tighten edge guide lock knob securely.

### **To use the edge guide:**

- Secure the workpiece.
- Position the face of the edge guide firmly against the edge of workpiece.
- Guide the saw along the edge to achieve a straight rip cut.

**NOTE:** The guiding edge of the workpiece must be straight for the cut to be straight. Use caution to prevent the blade from binding in the cut.

## **TO RIP CUT WITHOUT EDGE GUIDE**

See Figure 18, page 18.

Use a guide when making long or wide rip cuts with the saw.

- Secure the workpiece.
- Clamp a straight edge to the workpiece using C-clamps.
- Saw along the straight edge to achieve a straight rip cut.

**NOTE:** Do not bind the blade in the cut.

## **BEVEL CUTTING**

See Figures 19 - 21, page 18.

To make the best possible cut, follow these helpful hints.

- Align the line of cut with the inner blade guide notch on the base when making 45° bevel cuts.
- Make a trial cut in scrap material along a guideline to determine how much you should offset the guideline on the cutting material.
- Adjust the angle of the cut to any desired setting between zero and 51.5°. Refer to *To Adjust Bevel Setting* next.

## **TO ADJUST BEVEL SETTING**

See Figures 19 - 20, page 18.

- Unplug the saw.
- Loosen bevel lock knob.
- Rotate motor housing end of saw until you reach desired angle setting on bevel scale.
- Tighten bevel lock knob securely.

## **WARNING:**

Attempting a bevel cut without having the bevel lock knob securely tightened can result in serious injury.

## **TO BEVEL CUT**

See Figure 21, page 18.

- Hold the saw firmly with both hands as shown.
- Rest the front edge of the base on the workpiece.
- Start the saw and let the blade reach full speed.
- Guide the saw into the workpiece and make the cut.
- Release the switch and allow the blade to come to a complete stop.
- Lift the saw from the workpiece.

## **POCKET CUTTING**

See Figure 22, page 18.

## **WARNING:**

Always adjust bevel setting to zero before making a pocket cut. Attempting a pocket cut at any other setting can result in loss of control of the saw possibly causing serious injury.

- Adjust the bevel setting to zero and tighten the bevel lock knob.
- Set the blade to the correct blade depth setting.
- Swing the lower blade guard up using the lower blade guard handle.  
**NOTE:** Always raise the lower blade guard with the handle to avoid serious injury.
- Hold the lower blade guard by the handle while keeping your hand on the front handle as shown.
- Rest the front of the base flat against the workpiece with the rear of the handle raised so the blade does not touch the workpiece.
- Start the saw and let the blade reach full speed.
- Guide the saw into the workpiece and make the cut.

# OPERATION

## **WARNING:**

Always cut in a forward direction when pocket cutting. Cutting in the reverse direction could cause the saw to climb up on the workpiece and back toward you.

- Release the switch and allow the blade to come to a complete stop.
- Lift the saw from the workpiece.
- Clear corners out with a hand saw or sabre saw.

## **WARNING:**

Never tie the lower blade guard in a raised position. Leaving the blade exposed could lead to serious injury.

## **OPTIONAL DUST NOZZLE KIT**

See Figure 23, page 19.

You may purchase a dust nozzle kit, part no. 200673002, for use with the saw. The adaptor fits over the dust chute which is located on the upper blade guard. The nozzle attaches to the adaptor.

**NOTE:** If you use the nozzle, you should always connect it to a standard vacuum hose.

### **To attach the dust nozzle:**

- Unplug the saw.
- Lift lower blade guard.
- Orient adaptor to fit into the dust chute opening on upper blade guard.
- Secure adaptor with screw provided.
- Align hole in nozzle with raised lip on adaptor and snap into place when using a vacuum hose.

# ADJUSTMENTS

## **WARNING:**

Before performing any adjustment, make sure the tool is unplugged from the power supply and the switch is in the OFF position. Failure to heed this warning could result in serious personal injury.

## **WARNING:**

Never tie the lower blade guard in a raised position. Leaving the blade exposed could lead to serious injury.

## **WARNING:**

Attempting a bevel cut without having the bevel lock knob securely tightened can result in serious injury.

## **CHECKING/ADJUSTING THE LASER ALIGNMENT**

See Figure 25 - 26, page 19.

## **DANGER:**

Laser radiation. Avoid direct eye contact with light source.

## **WARNING:**

Use of controls or adjustments or performance of procedures other than those specified herein may result in hazardous radiation exposure.

## **0° BEVEL STOP**

See Figure 24, page 19.

The saw has a 0° bevel stop that has been factory adjusted to assure 0° angle of the saw blade when making 0° cross cuts.

### **To check 0° bevel stop:**

- Unplug the saw.
- Place the saw in an upside down position on a workbench.
- Check the squareness of the saw blade plate to the base of the saw using a combination square.

### **To adjust 0° bevel stop:**

- Unplug the saw.
- Loosen bevel lock knob.
- Loosen hex nut securing adjusting screw.
- Turn adjusting screw and adjust base until square with saw blade.
- Tighten hex nut and bevel lock knob securely.

- Unplug the saw.
- **REMOVE** the blade before adjusting the laser.
- Clamp a straight edge to the straight side of a workpiece.
- Square the long edge of the saw base against the straight edge.
- With a pencil, mark the workpiece in front of the far right notch on the saw's base.
- Slide the saw along the straight edge and mark the notch 10 - 12 in. from the first mark. Draw a guideline to connect the two marks.

# ADJUSTMENTS

- Slide the saw back to the starting position so that the entire guideline is visible.
- Connect the saw to a power supply.
- Depress and hold the switch until the laser turns on.  
**NOTE:** The laser will activate without the saw motor running.
- The laser beam should align with the notch in the saw base and the guideline you drew on the workpiece.
- If the laser beam is out of adjustment, to the left or right of the mark, use a 1/8 in. flat head screwdriver to turn the laser adjusting screw until the beam aligns with the guideline.
- Slowly turn the screw counterclockwise to adjust the laser to the left, or clockwise to adjust the laser to the right.

## ADJUSTING THE DEPTH LOCK LEVER

See Figure 27, page 19.

Over time, due to wear, the depth lock lever may move from its original setting. If the lever prematurely contacts any part of the saw during tightening and loosening, adjust the lever by following these steps:

- Unplug the saw.
- Pull depth lock lever upward to release.
- Pull saw base down to the minimum depth of cut position, then push the depth lock lever down to secure.
- Insert a flathead screwdriver into the space between the lock nut and the E-ring. Remove the E-ring.
- Note the position of the lever on the nut. Slide the depth lock lever off the lock nut.
- The lock nut has six flat sides. Rotate the depth lock lever one “flat” counter clockwise around the nut. Then slide it back into place.
- Push the E-ring back into the groove on the lock nut until it snaps into place. Take care that the E-ring does not pop off the lock nut.
- Loosen the depth lock lever and return the base to the full depth of cut position and lock the depth setting by pushing downward on the depth lock lever. The base should be locked securely in position when locked and be free to move when released.



# MAINTENANCE

**⚠ WARNING:**

When servicing, use only identical replacement parts. Use of any other parts can create a hazard or cause product damage.

**⚠ WARNING:**

Always wear eye protection with side shields marked to comply with ANSI Z87.1. Failure to do so could result in objects being thrown into your eyes resulting in possible serious injury.

## GENERAL MAINTENANCE

Avoid using solvents when cleaning plastic parts. Most plastics are susceptible to damage from various types of commercial solvents and may be damaged by their use. Use clean cloths to remove dirt, dust, oil, grease, etc.

**⚠ WARNING:**

Do not at any time let brake fluids, gasoline, petroleum-based products, penetrating oils, etc., come in contact with plastic parts. Chemicals can damage, weaken or destroy plastic which could result in serious personal injury.

Electric tools used on fiberglass material, wallboard, spackling compounds, or plaster are subject to accelerated wear and possible premature failure because the fiberglass chips and grindings are highly abrasive to bearings, brushes, commutators, etc. Consequently, we do not recommend using this product for extended work on these types of materials. However, if you do work with any of these materials, it is extremely important to clean the product using compressed air.

## LUBRICATION

All of the bearings in this product are lubricated with a sufficient amount of high grade lubricant for the life of the unit under normal operating conditions. Therefore, no further lubrication is required.

## POWER SUPPLY CORD REPLACEMENT

If replacement of the power supply cord is necessary, this has to be done by the manufacturer or his agent in order to avoid a safety hazard.

# ACCESSORIES

To order these accessories, call 1-800-525-2579.

- Dust Nozzle Kit..... 200673002

**⚠ WARNING:**

Current attachments and accessories available for use with this product are listed above. Do not use any attachments or accessories not recommended by the manufacturer of this product. The use of attachments or accessories not recommended can result in serious personal injury.

**NOTE: ILLUSTRATIONS START ON PAGE 15  
AFTER FRENCH AND SPANISH LANGUAGE SECTIONS.**

# NOTES

---

---

---

---

---

---

---

---

---

---

---

---

---

---

---

---

---

---

---

---

---

---

---

---

---

---

---

---

# RÈGLES DE SÉCURITÉ RELATIVES AUX OUTILS ÉLECTRIQUES

## AVERTISSEMENT

### **Lire tous les avertissements et toutes les instructions.**

Ne pas suivre l'ensemble des avertissements et des instructions peut entraîner une électrocution, un incendie ou des blessures graves.

**Conserver les avertissements et les instructions à des fins de référence ultérieure.** Le terme « outil motorisé », utilisé dans tous les avertissements ci-dessous désigne tout outil fonctionnant sur secteur (câblé) ou sur piles (sans fil).

## SÉCURITÉ DU LIEU DE TRAVAIL

- **Garder le lieu de travail propre et bien éclairé.** Les endroits encombrés ou sombres sont propices aux accidents.
- **Ne pas utiliser d'outils électriques dans des atmosphères explosives, par exemple en présence de liquides, gaz ou poussières inflammables.** Les outils électriques produisent des étincelles risquant d'enflammer les poussières ou vapeurs.
- **Garder les enfants et badauds à l'écart pendant l'utilisation d'un outil électrique.** Les distractions peuvent causer une perte de contrôle.

## SÉCURITÉ ÉLECTRIQUE

- **Les fiches des outils électriques doivent correspondre à la prise secteur utilisée. Ne jamais modifier la fiche, de quelque façon que ce soit.** Ne jamais utiliser d'adaptateurs de fiche avec des outils mis à la terre. Les fiches et prises non modifiées réduisent le risque de choc électrique.
- **Éviter tout contact du corps avec des surfaces mises à la terre, telles que tuyaux, radiateurs, cuisinières et réfrigérateurs.** Le risque de choc électrique est accru lorsque le corps est mis à la terre.
- **Ne pas exposer les outils électriques à l'eau ou l'humidité.** La pénétration d'eau dans ces outils accroît le risque de choc électrique.
- **Ne pas maltraiter le cordon d'alimentation. Ne jamais utiliser le cordon d'alimentation pour transporter l'outil et ne jamais débrancher ce dernier en tirant sur le cordon. Garder le cordon à l'écart de la chaleur, de l'huile, des objets tranchants et des pièces en mouvement.** Un cordon endommagé ou emmêlé accroît le risque de choc électrique.
- **Pour les travaux à l'extérieur, utiliser un cordon spécialement conçu à cet effet.** Utiliser un cordon conçu pour l'usage extérieur pour réduire les risques de choc électrique.
- **S'il est nécessaire d'utiliser l'outil électrique dans un endroit humide, employer un dispositif interrupteur de défaut à la terre (GFCI).** L'utilisation d'un GFCI réduit le risque de décharge électrique.

## SÉCURITÉ PERSONNELLE

- **Rester attentif, prêter attention au travail et faire preuve de bon sens lors de l'utilisation de tout outil électrique. Ne pas utiliser cet outil en état de fatigue ou sous l'influence de l'alcool, de drogues ou de médicaments.**

Un moment d'inattention pendant l'utilisation d'un outil électrique peut entraîner des blessures graves.

- **Utiliser l'équipement de sécurité. Toujours porter une protection oculaire.** L'équipement de sécurité, tel qu'un masque filtrant, de chaussures de sécurité, d'un casque ou d'une protection auditive, utilisé dans des conditions appropriées réduira le risque de blessures.
- **Éviter les démarrages accidentels. S'assurer que le commutateur est en position d'arrêt avant de brancher l'outil.** Porter un outil avec le doigt sur son commutateur ou brancher un outil dont le commutateur est en position de marche peut causer un accident.
- **Retirer les clés de réglage avant de mettre l'outil en marche.** Une clé laissée sur une pièce rotative de l'outil peut causer des blessures.
- **Ne pas travailler hors de portée. Toujours se tenir bien campé et en équilibre.** Ceci permettra de mieux contrôler l'outil en cas de situation imprévue.
- **Porter une tenue appropriée. Ne porter ni vêtements amples, ni bijoux. Garder les cheveux, les vêtements et les gants à l'écart des pièces en mouvement.** Les vêtements amples, bijoux et cheveux longs peuvent se prendre dans les pièces en mouvement.
- **Si les outils sont équipés de dispositifs de dépoussiérage, s'assurer qu'ils sont connectés et correctement utilisés.** L'usage de ces dispositifs de dépoussiérage peut réduire les dangers présentés par la poussière.
- **Ne porter ni vêtements amples, ni bijoux. Attacher ou couvrir les cheveux longs.** Les vêtements amples, bijoux et cheveux longs peuvent se prendre dans les ouïes d'aération.
- **Ne pas utiliser l'outil sur une échelle ou un support instable.** Une bonne tenue et un bon équilibre permettent de mieux contrôler l'outil en cas de situation imprévue.

## UTILISATION ET ENTRETIEN DES OUTILS ÉLECTRIQUES

- **Ne pas forcer l'outil. Utiliser l'outil approprié pour l'application.** Un outil approprié exécutera le travail mieux et de façon moins dangereuse s'il est utilisé dans les limites prévues.
- **Ne pas utiliser l'outil si le commutateur ne permet pas de le mettre en marche ou de l'arrêter.** Tout outil qui ne peut pas être contrôlé par son commutateur est dangereux et doit être réparé.
- **Débrancher l'outil et/ou retirer le bloc-piles avant d'effectuer des réglages, de changer d'accessoire ou de remiser l'outil.** Ces mesures de sécurité préventives réduisent les risques de démarrage accidentel de l'outil.
- **Ranger les outils motorisés hors de la portée des enfants et ne laisser personne n'étant pas familiarisé avec l'outil ou ces instructions utiliser l'outil.** Dans les mains de personnes n'ayant pas reçu des instructions adéquates, les outils sont dangereux.
- **Entretien des outils motorisés. Vérifier qu'aucune pièce mobile n'est mal alignée ou bloquée, qu'aucune pièce n'est brisée et s'assurer qu'aucun autre problème ne risque d'affecter le bon fonctionnement de l'outil.** En cas de dommages faire réparer l'outil avant de l'utiliser de nouveau. Beaucoup d'accidents sont causés par des outils mal entretenus.

# RÈGLES DE SÉCURITÉ RELATIVES AUX OUTILS ÉLECTRIQUES

- **Garder les outils bien affûtés et propres.** Des outils correctement entretenus et dont les tranchants sont bien affûtés risquent moins de se bloquer et sont plus faciles à contrôler.
- **Utiliser l'outil, les accessoires et embouts, etc. conformément à ces instructions pour les applications pour lesquelles ils sont conçus, en tenant compte des conditions et du type de travail à exécuter.** L'usage d'un outil motorisé pour des applications pour lesquelles il n'est pas conçu peut être dangereux.

## **AVERTISSEMENT :**

Ne jamais utiliser aucune sorte de meules abrasives avec cette scie. L'utilisation de lames autres que pour le bois peut causer des dommages à la propriété ou des blessures graves.

## DÉPANNAGE

- **Les réparations doivent être confiées à un technicien qualifié, utilisant exclusivement des pièces identiques à celles d'origine.** Ceci assurera le maintien de la sécurité de l'outil.
- **Utiliser exclusivement des pièces identiques à celles d'origine pour les réparations. Se conformer aux instructions de la section Entretien de ce manuel.** L'usage de pièces non autorisées ou le non-respect des instructions peut présenter des risques de choc électrique ou de blessures.

# AVERTISSEMENTS DE SÉCURITÉ RELATIFS AU SCIE CIRCULAIRE

## MÉTHODE DE COUPE

### **DANGER :**

**Garder les mains à l'écart de la zone de coupe et de la lame. Garder la deuxième main sur la poignée auxiliaire ou le boîtier du moteur.** Lorsque les mains sont utilisées pour tenir la scie, elle ne risquent pas d'être coupées par la lame.

- **Ne pas passer les mains au-dessous de la pièce à couper.** La garde de lame n'offre aucune protection au-dessous de la pièce à couper.
- **Ajuster la profondeur de coupe en fonction de l'épaisseur de la pièce à travailler.** Sous la pièce à travailler, on devrait pouvoir distinguer moins d'une dent entière parmi celles de la lame.
- **Ne jamais tenir une pièce en train d'être coupée à la main ou posée sur la jambe. Immobiliser la pièce à travailler sur une surface stable.** Il est essentiel de soutenir correctement la pièce à couper pour éviter les risques de coupure, de blocage de la lame et de perte du contrôle.
- **Tenir l'outil par ses surfaces de préhension isolées lors des opérations pendant lesquelles l'outil de coupe peut entrer en contact avec du câblage caché ou avec son propre cordon d'alimentation.** Le contact avec un fil sous tension « électrifie » les pièces métalliques exposées de l'outil, ce qui peut électrocuter l'utilisateur.
- **Pour la refente, toujours utiliser un guide longitudinal ou une règle.** Ceci accroît la précision de la coupe et réduit le risque de blocage de la lame.
- **Toujours utiliser des lames de la taille correcte, dont le trou d'axe est approprié (losange au lieu de rond).** Une lame incompatible avec la quincaillerie de montage de la scie tournerait en faux rond, causant la perte du contrôle.

- **Ne jamais utiliser de rondelles ou boulon de lame incorrects ou endommagés.** Les rondelles et boulon de lame fournis sont conçus spécialement pour assurer une efficacité et une sécurité maximum.

## CAUSES DES EFFETS DE REBOND ET AUTRES AVERTISSEMENTS

- Le rebond est une réaction soudaine, causée par une lame coincée, bloquée ou mal alignée et projetant la scie hors de la pièce coupée vers le haut, en direction de l'opérateur.
- Lorsque la lame est pincée ou bloquée par la fermeture du trait de coupe, elle se bloque et la force du moteur projette la scie en direction de l'opérateur.
- Si la lame dévie dans le trait de coupe, les dents de l'arrière risquent de mordre la surface de la planche, causant la projection de la lame hors du bois, en direction de l'opérateur.

Une mauvaise utilisation de la scie peut entraîner un rebond et/ou des méthodes de travail incorrectes et il peut être évité en prenant les précautions suivantes :

- **Tenir fermement la scie avec les deux mains et positionner les bras de manière à pouvoir résister aux rebonds. Se tenir d'un côté de lame, et non dans la trajectoire de celle-ci.** En cas de rebond, la scie peut être propulsée vers l'arrière. L'utilisateur peut toutefois résister aux rebonds et demeurer en contrôle en prenant les précautions adéquates.
- **Si la lame se bloque ou si la coupe est interrompue pour une raison quelconque, relâcher la gâchette et maintenir la lame dans le trait de coupe jusqu'à ce qu'elle ait complètement cessé de tourner. Pour éviter un rebond, ne jamais essayer de retirer la scie de la pièce ou de la tirer en arrière pendant que la lame est en rotation.** Déterminer et éliminer la cause du blocage de la lame.

# AVERTISSEMENTS DE SÉCURITÉ RELATIFS AU SCIE CIRCULAIRE

- **Avant de remettre la scie en marche en cours de coupe, centrer la lame dans le trait de scie et s'assurer que les dents ne mordent pas dans le bois.** Si la lame est bloquée, elle peut causer un rebond et l'éjection du trait de coupe lorsque la scie est remise en marche.
- **Soutenir les planches longues afin d'éviter les risques de pincement de la lame et de rebond.** Les planches longues ont tendance à ployer sous leur propre poids. Des supports doivent être placés sous la planche, de chaque côté, près du trait de coupe et du bord de la planche.
- **Ne pas utiliser de lames émoussées ou endommagées.** Une lame émoussée ou incorrectement réglée produit un trait de scie étroit, causant le pincement de la lame et le rebond.
- **Les leviers de réglage de profondeur et d'angle de coupe doivent être fermement serrés et assujettis avant de commencer la coupe.** Si la lame se dérègle en cours de coupe, elle peut se bloquer et causer un rebond.
- **Redoubler de prudence lors de la découpe dans des cloisons ou autres endroits sans visibilité arrière.** La lame peut heurter des objets ou matériaux causant un rebond.
- **Apprendre à connaître l'outil. Lire attentivement le manuel d'utilisation. Apprendre les applications et les limites de l'outil, ainsi que les risques spécifiques relatifs à son utilisation.** Le respect de cette consigne réduira les risques d'incendie, de choc électrique et de blessures graves.
- **Toujours porter une protection oculaire avec écrans latéraux certifiée conforme à la norme ANSI Z87.1.** Si cette précaution n'est pas prise, des objets peuvent être projetés dans les yeux et causer des lésions graves.
- **Protection respiratoire. Porter un masque facial ou un masque anti-poussière si le travail produit de la poussière.** Le respect de cette consigne réduira les risques de blessures graves.
- **Protection auditive. Porter une protection auditive lors de l'utilisation prolongée.** Le respect de cette règle réduira les risques de blessures graves.
- **Inspecter régulièrement les cordons d'alimentation des outils et s'ils sont endommagés, les confier au centre de réparations agréé le plus proche. Toujours être conscient de l'emplacement du cordon.** Le respect de cette règle réduira les risques de choc électrique et d'incendie.
- **Vérifier l'état des pièces. Avant d'utiliser l'outil de nouveau examiner soigneusement les pièces et dispositifs de protection qui semblent endommagés afin de déterminer s'ils fonctionnent correctement et s'ils remplissent les fonctions prévues. Vérifier l'alignement des pièces mobiles, s'assurer qu'aucune pièce n'est bloquée ou cassée, vérifier la fixation de chaque pièce et s'assurer qu'aucun autre problème ne risque d'affecter le bon fonctionnement de l'outil. Toute protection ou pièce endommagée doit être correctement réparée ou remplacée dans un centre de réparations agréé.** Le respect de cette consigne réduira les risques de choc électrique, d'incendie et de blessures graves.

## FONCTION DE L'ÉCRAN PROTECTEUR INFÉRIEUR

- **Avant chaque utilisation, s'assurer que la garde inférieure se ferme correctement avant chaque utilisation. Ne pas utiliser la scie si la garde ne fonctionne pas librement ou ne se ferme pas instantanément. Ne jamais bloquer la garde inférieure en position ouverte.** En cas de chute accidentelle de la scie, la garde inférieure peut se déformer. Relever la garde inférieure avec la poignée de rétraction et vérifier qu'elle fonctionne librement et ne touche ni la lame, ni aucune autre pièce, quelle que soit l'angle ou la profondeur de coupe.
- **Vérifier le fonctionnement du ressort de la garde inférieure. Tout problème de fonctionnement de la garde et du ressort doit être corrigé avant d'utiliser la scie.** Des pièces endommagées, des résidus gommeux et les accumulations de débris peuvent ralentir le fonctionnement de la garde inférieure.
- **La garde doit être rétractée manuellement seulement pour des coupes spéciales comme des « coupes plongeantes » et des « coupes combinées. » Relever le protège-lame avec la poignée de rétraction puis relâcher-le dès que la lame pénètre dans le matériau.** La garde inférieure opérera automatiquement pour toutes les autres coupes.
- **Toujours s'assurer que la garde inférieure couvre la lame avant de poser la scie sur le sol ou un établi.** Une lame non protégée tournant en roue libre causerait un mouvement en arrière de la scie, qui couperait tout ce qui se trouve sur son passage. Tenir compte du temps nécessaire à l'arrêt complet de la lame une fois que la gâchette est relâchée.
- **S'assurer que le cordon prolongateur est en bon état. Si un cordon prolongateur est utilisé, s'assurer que sa capacité est suffisante pour supporter le courant de fonctionnement de l'outil. Un calibre de fil (A.W.G) d'au minimum 12 est recommandé pour un cordon prolongateur de 15,2 m (50 pi) ou moins. L'usage d'un cordon de plus de 30 m (100 pi) est déconseillé. En cas de doute, utiliser un cordon du calibre immédiatement supérieur. Moins le numéro de calibre est élevé, plus la capacité du fil est grande.** Un cordon de capacité insuffisante causerait une baisse de la tension de ligne, entraînant une perte de puissance et une surchauffe.
- **Inspecter la pièce et retirer les clous éventuels avant d'utiliser cet outil.** Le respect de cette consigne réduira les risques de blessures graves.
- **Si le cordon d'alimentation est endommagé, il doit être remplacé uniquement par le fabricant ou par un centre de réparation agréé pour éviter tout risque.**
- **Conserver ces instructions.** Les consulter fréquemment et les utiliser pour instruire les autres utilisateurs éventuels. Si cet outil est prêté, il doit être accompagné de ces instructions.




## RÈGLES DE SÉCURITÉ SUPPLÉMENTAIRES

- **Utiliser des serre-joints ou un autre système approprié pour maintenir fermement la pièce sur une surface stable.** Une pièce tenue à la main ou contre son corps est instable et peut causer une perte de contrôle.









# SYMBOLES

Les termes de mise en garde suivants et leur signification ont pour but d'expliquer le degré de risques associé à l'utilisation de ce produit.

SYMBOLE	SIGNAL	SIGNIFICATION
	<b>DANGER :</b>	Indique une situation dangereuse qui, si elle n'est pas évitée, aura pour conséquences des blessures graves ou mortelles.
	<b>AVERTISSEMENT :</b>	Indique une situation dangereuse qui, si elle n'est pas évitée, pourrait entraîner des blessures graves ou mortelles.
	<b>ATTENTION :</b>	Indique une situation dangereuse qui, si elle n'est pas évitée, pourrait entraîner des blessures légères ou de gravité modérée.
	<b>AVIS :</b>	(Sans symbole d'alerte de sécurité) Indique les informations jugées importantes sans toutefois représenter un risque de blessure (ex. : messages concernant les dommages matériels).

Certains des symboles ci-dessous peuvent être utilisés sur produit. Veiller à les étudier et à apprendre leur signification. Une interprétation correcte de ces symboles permettra d'utiliser produit plus efficacement et de réduire les risques.

SYMBOLE	NOM	DÉSIGNATION / EXPLICATION
	Symbole d'alerte de sécurité	Indique un risque de blessure potentiel.
	Lire le manuel d'utilisation	Pour réduire les risques de blessures, l'utilisateur doit lire et veiller à bien comprendre le manuel d'utilisation avant d'utiliser ce produit.
	Protection oculaire	Toujours porter une protection oculaire avec écrans latéraux certifiée conforme à la norme ANSI Z87.1.
	Avertissement concernant l'humidité	Ne pas exposer à la pluie ou l'humidité.
	Symbole mains à l'écart	Le non-respect de cette mise en garde peut entraîner des blessures graves.
V	Volts	Tension
A	Ampères	Intensité
Hz	Hertz	Fréquence (cycles par seconde)
min	Minutes	Temps
~	Courant alternatif	Type de courant
$n_0$	Vitesse à vide	Vitesse de rotation à vide
	Construction de classe II	Construction à double isolation
.../min	Par minute	Tours, coups, vitesse périphérique, orbites, etc., par minute

# CARACTÉRISTIQUES ÉLECTRIQUES

## DOUBLE ISOLATION

La double isolation est un dispositif de sécurité utilisé sur les outils à moteur électriques, éliminant le besoin pour un cordon d'alimentation trois fil avec prise de terre habituel. Toutes les pièces métalliques exposées sont isolées des composants internes du moteur. Les outils à double isolation ne nécessitent pas de mise à la terre.

### AVERTISSEMENT :

Le système à double isolation est conçu pour protéger l'utilisateur contre les chocs électriques causés par une rupture du câblage interne de l'outil. Prendre toutes les précautions de sécurité normales pour éviter les chocs électriques.

**NOTE :** Le dépannage d'un outil à double isolation exigeant des précautions extrêmes et la connaissance du système, il ne doit être confié qu'à un technicien de service qualifié. En ce qui concerne les réparations, nous recommandons de confier l'outil au centre de réparation le plus proche. Utiliser exclusivement des pièces d'origine pour les réparations.

## CONNEXION ÉLECTRIQUE

Ce produit est équipé d'un moteur électrique de précision. Il doit être branché sur une **alimentation 120 V, c.a. uniquement (courant résidentiel standard), 60 Hz**. Ne pas utiliser cet outil sur une source de courant continu (c.c.). Une chute de tension importante causerait une perte de puissance et une surchauffe du moteur. Si l'outil ne fonctionne pas une fois branché, vérifier l'alimentation électrique.

## CORDONS PROLONGATEURS

Lors de l'utilisation d'un outil électrique à grande distance d'une prise secteur, veiller à utiliser un cordon prolongateur d'une capacité suffisante pour supporter le prélèvement de courant du moteur. Un cordon de capacité insuffisante causerait une baisse de la tension de ligne, entraînant une perte de puissance et une surchauffe. Se reporter au tableau ci-dessous pour déterminer la taille de fils requise pour un cordon donné. Utiliser exclusivement des cordons homologués par Underwriter's Laboratories (UL).

Pour les travaux à l'extérieur, utiliser un cordon spécialement conçu à cet effet. La gaine des cordons de ce type porte l'inscription « WA » ou « W ».

Avant d'utiliser un cordon prolongateur, vérifier que les fils ne sont ni détachés ni exposés et que l'isolation n'est ni coupée, ni usée.

\*\*Intensité nominale (sur la plaquette signalétique de l'outil)

0-2,0 2,1-3,4 3,5-5,0 5,1-7,0 7,1-12,0 12,1-16,0

Longueur du cordon	Calibre des fils (A.W.G.)					
	0-2,0	2,1-3,4	3,5-5,0	5,1-7,0	7,1-12,0	12,1-16,0
25'	16	16	16	16	14	14
50'	16	16	16	14	14	12
100'	16	16	14	12	10	—

\*\*Utilisé sur circuit de calibre 12 – 20 A

**NOTE :** AWG = American Wire Gauge

### AVERTISSEMENT :

Maintenir le cordon prolongateur à l'écart de la zone de travail. Lors du travail avec un cordon électrique, placer le cordon de manière à ce qu'il ne risque pas de se prendre dans les pièces de bois, outils et autres obstacles. Ne pas prendre cette précaution peut entraîner des blessures graves.

### AVERTISSEMENT :

Vérifier l'état des cordons prolongateurs avant chaque utilisation. Remplacer immédiatement tout cordon endommagé. Le fait de ne jamais utiliser un outil dont le cordon d'alimentation est endommagé car tout contact avec une partie dénudée pourrait causer un choc électrique et des blessures graves.

# CARACTÉRISTIQUES

## FICHE TECHNIQUE

Diamètre de la lame..... 184 mm (7-1/4 po)  
Arbre de la lame ..... 16 mm (5/8 po)  
Profondeur de coupe à 0° ..... 61,9 mm (2-7/16 po)  
Profondeur de coupe à 45° ..... 47,6 mm (1-7/8 po)

Profondeur de coupe à 51.5° ..... 42,9 mm (1-11/16 po)  
Vitesse à vide ..... 5200 r/min (RPM)  
Alimentation..... 120 V, c.a. seulement, 60 Hz, 15 A  
Guide laser ..... Classe IIIa, <5mW max, 650nm

## ASSEMBLAGE

### DÉBALLAGE

Ce produit nécessite un assemblage.

- Avec précaution, sortir le produit et les accessoires de la boîte. Tous les articles énumérés sous **Inclut** doivent se trouver dans l'emballage au moment de l'achat.

#### AVERTISSEMENT :

Certaines pièces figurant dans cette section *Assemblage* n'ont pas été installées sur le produit par le fabricant et exigent une installation du client. Le fait d'utiliser un produit qui a été assemblé de façon inadéquate peut entraîner des blessures.

- Si des pièces manquent ou sont endommagées, appeler le 1-800-525-2579.

#### AVERTISSEMENT :

Si des pièces manquent ou sont endommagées, ne pas utiliser cet outil avant qu'elles aient été remplacées. L'utilisation sûre de ce produit avec les pièces manquantes ou endommagées pourrait entraîner des blessures graves.

#### AVERTISSEMENT :

Ne pas essayer de modifier cet outil ou de créer des accessoires non recommandés pour l'outil. De telles altérations ou modifications sont considérées comme un usage abusif et peuvent créer des conditions dangereuses, risquant d'entraîner des blessures graves.

#### AVERTISSEMENT :

Ne pas brancher sur le secteur avant d'avoir terminé l'assemblage. Le non-respect de cet avertissement peut causer un démarrage accidentel, entraînant des blessures graves.

#### AVERTISSEMENT :

La taille maximum de lame pouvant être utilisée sur cette scie est de 184 mm (7-1/4 po). Ne jamais utiliser une lame trop épaisse pour permettre à la rondelle extérieure de la lame de s'engager sur les méplats de la broche. Des lames de trop grand diamètre toucheraient les protections de lame et des lames trop épaisses empêcheraient que le vis puisse maintenir la lame sur la broche. Ces deux situations peuvent causer un accident grave.

#### AVIS :

Pour éviter des dommages à la broche et à son blocage, toujours laisser le moteur s'arrêter complètement avant d'engager le blocage.

### INSTALLATION/RETRAIT DE LA LAME

Voir les figures 2 à 3, page 16.

#### Installation de la lame :

- Débrancher la scie.
- Appuyer sur le blocage de broche et le maintenir enfoncé.
- Retirer le vis de la lame en le tournant vers la gauche, à l'aide de la clé de lame, tout en maintenant le bouton de blocage de broche enfoncé.
- Retirer la rondelle ressort et la rondelle extérieure (« D »).
- Appliquer une mince couche d'huile sur la surface de contact de la douille à collerette intérieure et de la rondelle extérieure (en « D ») avec la lame.
- Rétracter la garde inférieure de lame dans la garde supérieure au moyen de la poignée de rétraction. S'assurer que le ressort de la garde inférieure fonctionne correctement et permet le libre mouvement de la garde.
- Vérifier que les dents de la lame, ainsi que les flèches se trouvant sur la lame et la garde supérieure pointent dans la même direction.

**NOTE :** Les dents doivent être orientées vers le bas à l'avant de la lame, comme illustré.

# ASSEMBLAGE

## AVERTISSEMENT :

Si la douille du flasque intérieure a été retirée, la réinstaller en respectant la bonne orientation (selon les marques sur la douille) avant d'installer la lame sur la broche. Le nonrespect de cette mise en garde peut empêcher le serrage correct de la lame et entraîner des blessures graves.

- Engager la lame dans la garde inférieure et sur la broche.
- Remettre la rondelle extérieure de la lame en « D » en place.
- Réinstaller la rondelle ressort en plaçant le côté en cuvette contre la rondelle « D ».
- Appuyer sur le bouton de blocage de broche et réinstaller le vis de la lame.

- Serrer fermement de vis de lame en le tournant vers la droite, à l'aide de la clé de lame.

**NOTE :** Ne jamais utiliser une lame trop épaisse pour permettre à la rondelle extérieure de la lame en « D » de s'engager sur les méplats de la broche.

## Retrait de la lame :

- Débrancher la scie.
- Appuyer sur le blocage de broche et le maintenir enfoncé.
- Retirer le vis de la lame en le tournant vers la gauche, à l'aide de la clé de lame, tout en maintenant le bouton de blocage de broche enfoncé.
- Retirer la rondelle ressort et la rondelle extérieure (en « D »).
- Relever la garde de lame inférieure.
- Retirer la lame.

# UTILISATION

## DANGER :

**Garder les mains à l'écart de la zone de coupe et de la lame. Garder la deuxième main sur la poignée auxiliaire ou le boîtier du moteur.** Lorsque les deux mains sont utilisées pour tenir la scie, elles ne risquent pas d'être blessées par la lame.

## AVERTISSEMENT :

Ne pas laisser la familiarité avec ce produit faire oublier la prudence. Ne pas oublier qu'une fraction de seconde d'inattention peut entraîner des blessures graves.

## AVERTISSEMENT :

Toujours porter une protection oculaire avec écrans latéraux certifiée conforme à la norme ANSI Z87.1. Si cette précaution n'est pas prise, des objets peuvent être projetés dans les yeux et causer des lésions graves.

## AVERTISSEMENT :

Ne jamais utiliser aucune sorte de meules abrasives avec cette scie. L'utilisation de lames autres que pour le bois peut causer des dommages à la propriété ou des blessures graves.

## REBOND

*Voir les figures 4 à 7, page 17.*

On appelle rebond la projection brusque de la scie en direction de l'opérateur, causée par un blocage soudain de la lame. Le blocage de la lame est causée par son pincement dans le bois.

## DANGER :

Si la lame se bloque ou la scie cale, relâcher immédiatement la gâchette. Un rebond peut causer la perte de contrôle de la scie. La perte du contrôle peut entraîner des blessures graves.

Pour réduire les risques de rebond, éviter les actions dangereuses, telles que celles décrites ci-dessous :

## APPLICATIONS

Ce produit peut être utilisé pour les applications ci-dessous :

- Le sciage de tous types de produits en bois (planches, contre-plaqué, lambrissage, aggloméré et bois dur)
- Coupes diagonales et longitudinales pour pièces en bois
- Coupe en biseau pour pièces en bois
- Évidement pour pièces en bois

- Réglage incorrect de la profondeur de coupe
- Sciage de noeuds ou de clous dans le bois
- Déviation de la lame en cours de coupe
- Coupe avec une lame émoussée, encrassée ou mal réglée
- Support incorrect de la pièce à couper
- Coupe forcée
- Coupe de planches humides ou voilées
- Utilisation incorrecte ou abusive de l'outil

# UTILISATION

Pour réduire les risques de rebond, prendre les précautions suivantes.

- Maintenir un réglage de profondeur de coupe correct. Sous la pièce à travailler, on devrait pouvoir distinguer moins d'une dent entière parmi celles de la lame.
- S'assurer de l'absence de noeuds ou de clous dans le bois avant de scier. Ne jamais scier de noeuds ou de clous.
- Effectuer des coupes droites. Toujours utiliser un guide pour le sciage en long. Ceci évite la déviation de la lame.
- Utiliser des lames propres, bien affûtées et correctement réglées. Ne jamais couper avec une lame émoussée.
- Soutenir et bloquer la pièce avant de commencer la coupe.
- Appliquer une pression constante et régulière sur la scie. Ne jamais forcer la scie.
- Ne pas couper de planches humides ou voilées.
- Tenir la scie fermement à deux mains et se tenir bien campé afin de pouvoir la maîtriser en cas de rebond.

## AVERTISSEMENT :

Lors de l'utilisation de la scie, toujours être attentif et en contrôle de la scie. Ne pas retirer la scie de la pièce avant l'arrêt complet de la lame.

## LAMES DE SCIE

La meilleure des lames ne coupera efficacement que si elle est propre, bien affûtée et correctement installée. L'usage d'une lame émoussée impose une forte charge sur la scie et accroît le risque de rebond. Garder des lames de rechange à portée de la main afin de toujours disposer d'un outil affûté.

Les résidus gommeux et la résine séchés sur la lame causent également un ralentissement de la scie. Retirer la lame de la scie et éliminer ces résidus avec un produit spécialement conçu à cet effet, de l'eau chaude ou du kérosène. **NE PAS UTILISER DE L'ESSENCE.**

## SYSTÈME DE GARDE DE LAME

Voir la figure 8, page 17.

La garde de lame inférieure de la scie circulaire est conçue pour assurer la protection et la sécurité de l'utilisateur. Ne pas la modifier, pour quelque raison que ce soit. Si elle est endommagée, ne plus utiliser la scie jusqu'à ce qu'elle ait été réparée ou remplacée. Toujours laisser la garde en position de fonctionnement lors de l'utilisation de la scie.

## DANGER :

Lors de la coupe traversante, la garde inférieure ne protège pas la partie de la lame se trouvant sur le dessous de la planche. De ce fait, il est impératif de garder les mains à l'écart de la zone de coupe et de la lame. Le contact de toute partie du corps avec la lame peut causer des blessures graves.

## AVERTISSEMENT :

Ne jamais bloquer la protection de lame inférieure garde en position relevée. La lame exposée pourrait infliger des blessures graves.

## ATTENTION :

Ne jamais utiliser une scie dont la garde ne fonctionne pas correctement. Vérifier le fonctionnement de la garde avant chaque utilisation. Elle fonctionne correctement quand elle pivote librement et retourne immédiatement en position fermée. En cas de chute de la scie, regarder si la garde et le butoir sont endommagés et vérifier tous les réglages de profondeur de coupe avant d'utiliser la scie.

Si, quelle que soient les circonstances, la garde ne se referme pas instantanément, débrancher la scie. Ouvrir et fermer complètement et rapidement la garde plusieurs fois. Normalement cela rétablit son bon fonctionnement. Si le problème n'est pas corrigé et si la garde se referme lentement, ne pas utiliser la scie. La confier à un centre de réparations agréé.

## MISE EN MARCHÉ ET ARRÊT DE LA SCIE

Voir la figure 9, page 17.

**Pour mettre la scie :** appuyer sur la gâchette.

Toujours laisser la lame parvenir à sa vitesse maximum avant de l'engager dans le bois.

## AVERTISSEMENT :

La mise en contact avec le bois d'une lame ne tournant pas à pleine vitesse peut causer un rebond risquant d'entraîner des blessures graves.

**Pour arrêter la scie :** relâcher la gâchette.

Une fois la gâchette relâchée laisser la lame parvenir à l'arrêt complet. **Ne pas retirer la scie de la pièce avant l'arrêt complet de la lame.**

## RÉGLAGE DE LA PROFONDEUR DE COUPE

Voir la figure 10, page 17.

Toujours maintenir un réglage de profondeur de coupe correct. Sous la pièce à travailler, on devrait pouvoir distinguer moins d'une dent entière parmi celles de la lame. Un dépassement



# UTILISATION

plus important augmente le risque de rebond et nuit à la netteté de la coupe. La garde de lame supérieure comporte une échelle graduée permettant une plus grande précision du réglage de la profondeur de coupe.

## Pour régler la profondeur de coupe :

- Débrancher la scie.
- Dévisser le levier de réglage de la profondeur situé à l'arrière de la scie.
- Déterminer la profondeur de coupe voulue.
- Localiser l'échelle de réglage de profondeur de coupe, à l'arrière de la garde supérieure.
- Tenir la base à plat contre la planche à couper et élever ou abaisser la lame de manière à ce que le point d'indexation (ou la repère) du support s'aligne sur l'encoche de la garde.
- Serrer fermement le levier de réglage de la profondeur.

## ÉCHELLE DE LONGUEUR DE COUPE

Voir figure 11, page 17.

Une échelle de longueur de coupe est prévue sur la semelle de votre scie. Elle est parallèle à la lame de celle-ci et peut servir à mesurer la distance sur laquelle la lame scie la pièce.

**NOTE:** La longueur maximale mesurable de coupe est six pouces. D'autre part, celle-ci n'est précise que lorsque la profondeur de coupe est réglée à la valeur maximale.

## UTILISATION DU GUIDE LASER

Voir la figure 12, page 17.

### AVERTISSEMENT :

Ne pas regarder directement dans le faisceau du laser, ou allumer le laser lorsque l'outil n'est pas en usage. Ne pas prendre cette précaution pourrait entraîner des blessures graves.

Le système laser est installé et aligné en usine. Si, après un certain temps le système laser se désaligne, consulter la section *Réglages*.

**NOTE :** Faire un essai sur une chute de bois pour vérifier l'alignement du laser. Un réglage peut être nécessaire.

- Marquer la ligne de coupe sur la pièce.
- Régler la profondeur et l'angle de coupe selon le besoin et verrouiller les réglages de profondeur et de biseau.
- Branchez l'outil à une source de courant.
- Enfoncer le bouton de verrouillage et appuyer sur la gâchette pour démarrer le moteur. Le guide laser s'allume dès que l'interrupteur est enfoncé et s'éteint lorsque l'interrupteur est relâché.

**NOTE :** Toujours laisser la lame parvenir à sa vitesse maximum avant de l'engager dans le bois.

- Engager lentement la lame dans la pièce.

**NOTE :** Garde le faisceau du laser sur la ligne tracée sur la pièce pour assurer la précision de la coupe.

- Dès la fin de la coupe, laisser la lame de la scie s'arrêter complètement. Le laser s'éteint lorsque la gâchette est relâchée.

## UTILISATION DE LA SCIE

Voir les figures 13 à 15, pages 17 et 18.

Il est essentiel de comprendre la méthode correcte d'utilisation de la scie. Voir les illustrations de cette section montrant les façons correctes et incorrectes d'utiliser la scie.

### AVERTISSEMENT :

Toujours garder le contrôle de la scie pour faciliter le travail et assurer la sécurité, en tenant la scie avec les deux mains. Une perte de contrôle peut entraîner des blessures graves.

### DANGER :

Lorsque la scie est retirée de la planche, la partie inférieure de la lame reste exposée jusqu'à ce que la garde inférieure se ferme. S'assurer que la garde inférieure est fermée avant de poser la scie.

### AVERTISSEMENT :

**Utiliser des serre-joint ou un autre système approprié pour maintenir fermement la pièce sur une surface stable.** Soutenir une pièce avec une main ou contre le corps ne procure pas de stabilité et peut provoquer une perte de contrôle et occasionner des blessures graves.

## Pour obtenir une qualité de coupe maximum :

- Tenir la scie fermement, à deux mains.
- Éviter de placer la main sur la pièce pendant la coupe.
- Soutenir la planche de manière à ce qu'elle se trouve toujours à droite.
- Soutenir la pièce à couper près du trait de scie.
- Assujettir la pièce solidement, afin qu'elle ne risque pas de bouger pendant la coupe.
- Éviter de placer sur la partie de la pièce qui tombera une fois la coupe effectuée.
- Placer la pièce avec la « bonne » face vers le bas.
- Tracer la ligne de coupe désirée avant de commencer le travail.
- Garder le cordon d'alimentation à l'écart de la zone de coupe. Toujours placer le cordon d'alimentation de manière à ce qu'il ne pende pas sur la pièce pendant la coupe.

# UTILISATION

## DANGER :

Si le cordon d'alimentation se pose sur la pièce pendant la coupe, relâcher la gâchette immédiatement et permettre à la lame parvenir à l'arrêt complet. Débrancher la scie et repositionner le cordon, de manière à ce que le problème ne se reproduise plus.

## AVERTISSEMENT :

L'utilisation d'une scie dont le cordon est endommagé pourrait causer un choc électrique et des blessures graves ou mortelles. Si le cordon est endommagé, le faire remplacer avant d'utiliser la scie de nouveau.

## COUPE TRANSVERSALE ET EN LONG

Pour effectuer une coupe transversale ou en long, aligner l'encoche extérieure de la base du guide de lame sur le trait de coupe, comme illustré.

Différentes lames étant d'épaisseurs différentes, toujours effectuer un essai sur une chute, afin de déterminer le déport du guide avant de commencer, pour obtenir une coupe précise.

**NOTE :** La distance séparant la ligne de coupe du guide est la distance sur laquelle le guide doit être déplacé.

## GUIDE DE CHANT FACULTATIF

Voir figures 16 à 17, page 18.

Utilisez le guide de bord fourni lors de longues ou larges coupes longitudinales avec la scie.

### Installation le guide de chant :

- Débrancher la scie.
- Faites passer le guide de chant par les fentes de la semelle de la scie.
- Réglez le guide de chant selon la largeur de coupe désirée pour la coupe.
- Serrez bien le bouton de guide de chant.

### Pour utiliser le guide de chant :

- Fixez la pièce pour prévenir le déplacement.
- Maintenez fermement sa face contre le bord de la pièce.
- Guidez la scie le long du chant pour effectuer une coupe droite.

**NOTE:** Pour que votre coupe soit droite, le bord de guidage de la pièce doit être droit lui aussi. Faites attention d'empêcher la lame de se coincer dans la coupe

## COUPE EN LONG SANS GUIDE DE CHANT

Voir la figure 18, page 18.

Utiliser un guide pour effectuer les coupes de grande largeur ou longueur.

- Immobiliser la pièce à travailler.

- Assujettir une pièce rectiligne sur la pièce à couper, au moyen de serre-joints.
  - Suivre le guide pour assurer une coupe rectiligne.
- NOTE :** Ne pas bloquer la lame dans le trait de scie.

## SCIAGE EN BISEAU

Voir figures 19 -21, page 18

Pour faire les meilleures coupes possibles, suivez ces conseils utiles:

- Alignez votre ligne de coupe sur l'encoche de guide intérieur de lame qui se trouve sur la semelle de la scie lorsque vous sciez à un angle de 45°.
- Effectuez toujours une coupe d'essai dans une chute le long d'une ligne repère pour déterminer de combien vous devez décaler la ligne repère sur la planche à scier.
- L'angle de coupe de votre scie peut être réglé entre zéro et 51,5°. Voir chapitre suivant **POUR RÉGLER LA POSITION DE COUPE EN BISEAU.**

## RÉGLAGE DE LA POSITION DE COUPE EN BISEAU

Voir les figures 19 et 20, page 18.

- Débrancher la scie.
- Desserrez le bouton de verrouillage de biseau.
- Tourner le côté carter moteur de la scie jusqu'à ce que vous atteigniez la position correspondant à l'angle désiré sur l'échelle de coupe en biseau.
- Serrez bien le bouton de verrouillage de biseau.

## AVERTISSEMENT :

Si vous essayez de scier en biseau sans avoir bien serré le bouton de verrouillage de biseau, vous risquez de vous blesser gravement.

## POUR SCIER EN BISEAU

Voir la figure 21, page 18.

- Tenez votre scie fermement à deux mains, comme il est illustré.
- Posez le bord avant de la semelle sur la pièce.
- Démarrez votre scie et laissez la lame atteindre sa pleine vitesse.
- Guidez la scie pour la faire pénétrer dans la pièce et effectuez la coupe.
- Relâchez la gâchette de commutateur et laissez la lame s'arrêter complètement.
- Enlevez la scie de la pièce.

# UTILISATION

## DÉCOUPAGE D'UNE OUVERTURE

Voir le figure 22, page 18.

### AVERTISSEMENT :

Remettez toujours le réglage de la coupe en biseau à zéro avant de découper une ouverture. Si vous essayez de couper une ouverture à tout autre réglage, vous perdrez le contrôle de votre scie, ce qui peut entraîner une blessure grave.

- Remettez la scie à zéro et serrer le bouton de verrouillage de biseau.
- Régler la lame sur la profondeur de coupe correcte.
- Relever la garde de lame inférieure au moyen de la poignée de rétraction.  
**NOTE :** Relevez toujours le protège-lame inférieur à l'aide de son levier pour éviter de vous blesser.
- Maintenez le protège-lame par son levier tout en tenant la main à l'avant de la poignée, comme illustré.
- Posez fermement l'avant de la semelle à plat sur la pièce en soulevant l'arrière de la scie pour éviter que la lame ne touche la pièce.
- Démarrez la scie et laissez la lame atteindre sa pleine vitesse.
- Guidez la scie dans la pièce et effectuez la coupe.

### AVERTISSEMENT :

Effectuez toujours la coupe vers l'avant pour découper une ouverture. En coupant vers l'arrière, la scie peut monter sur la pièce et reculer vers vous.

- Relâchez la gâchette de commutateur et laissez la lame aller jusqu'à l'arrêt complet.
- Retirer la scie de la pièce.
- Finir les coins avec une scie à main ou une scie sauteuse.

### AVERTISSEMENT :

N'immobilisez jamais le protège-lame inférieur en position haute. Si vous laissez la lame à nu, vous risquez de vous blesser gravement.

## ENSEMBLE DE BUSE À POUSSIÈRE FACULTATIF

Voir figure 23, page 19.

Un ensemble de buse, pièce n° 200673002, s'installe sur la goulotte à poussière située sur le protège-lame supérieur. La buse se fixe à l'adaptateur.

**NOTE :** Si vous utilisez la buse, vous devez toujours la connecter à un tuyau d'aspirateur standard.

### Fixation de l'ensemble de buse à poussière :

- Débrancher la scie.
- Relevez le protège-lame inférieur.
- Orientez l'adaptateur pour qu'il s'insère dans l'ouverture de la goulotte à poussière du protège-lame supérieur.
- Fixez l'adaptateur à l'aide de la vis fournie.
- Lors de l'utilisation d'un tuyau d'aspirateur, alignez le trou de la buse au bord relevé de l'adaptateur pour l'emboîtement.

# RÉGLAGES

### AVERTISSEMENT :

Si le cordon d'alimentation se pose sur la pièce pendant la coupe, relâcher la gâchette immédiatement et permettre à la lame parvenir à l'arrêt complet. Débrancher la scie et repositionner le cordon, de manière à ce que le problème ne se reproduise plus.

### AVERTISSEMENT :

N'immobilisez jamais le protège-lame inférieur en position haute. Si vous laissez la lame à nu, vous risquez de vous blesser gravement.

## BUTÉE 0° DE COUPE EN BISEAU

Voir figure 24, page 19.

Votre scie est dotée d'une butée 0° de coupe en biseau qui a été réglée à l'usine pour garantir un angle de 0° de la lame lorsque vous sciez à 0°

### Pour vérifier la butée 0° de coupe en biseau :

- Débrancher la scie.
- Placez la scie la tête en bas sur l'établi.
- À l'aide d'une équerre combinée, vérifiez si la lame de la scie est perpendiculaire à la semelle de cette dernière.

### Pour régler la butée 0° de coupe en biseau :

- Débrancher la scie.
- Desserrez le bouton de verrouillage de biseau.
- Desserrez l'écrou hexagonal qui bloque la vis de réglage.

# RÉGLAGES

- Tournez la vis de réglage et réglez la semelle jusqu'à ce qu'elle soit perpendiculaire à la lame de la scie.
- Resserrez fermement l'écrou hexagonal et le bouton de verrouillage de biseau.

## AVERTISSEMENT :

Si vous essayez de scier sans avoir bien serré le bouton de verrouillage de biseau, vous risquez de vous blesser gravement.

## VÉRIFICATION ET RÉGLAGE DE L'ALIGNEMENT DU LASER

Voir les figures 25 - 26, page 19.

## DANGER :

Rayonnement laser. Éviter le contact direct du laser avec les yeux.

## AVERTISSEMENT :

L'utilisation de commandes ou réglages ou procédures de performance autres que celles indiquées dans le présent manuel peut provoquer une exposition dangereuse au rayonnement.

- Débrancher la scie.
- **RETIRER** la lame avant d'effectuer le réglage du laser.
- Assujettir un bord droit à un côté droit de la pièce de travail.
- Équarrer le bord long de la base de la scie contre le bord droit.
- Avec un crayon, marquer la pièce de travail à l'avant de la fente droite éloignée sur la base de l'outil.
- Glisser la scie le long du bord droit et marquer une encoche à une distance de 254 à 305 mm (10 à 12 po) de la première marque. Tracer une ligne de guidage pour relier les deux marques.
- Glisser la scie vers l'arrière à la position de départ afin de pouvoir voir la ligne de guidage.
- Brancher la scie dans une prise de courant.
- Appuyer et maintenir l'interrupteur enfoncé jusqu'à ce que le laser s'allume.

**NOTE :** Le laser s'allumera même si le moteur de la scie ne fonctionne pas.

- Le faisceau laser doit être aligné avec l'encoche située sur la base de la scie et la ligne de guidage tracée sur la pièce de travail.
- Si le faisceau laser n'est pas aligné avec la marque gauche ou droite, utiliser un tournevis à tête plate de 3,2 mm (1/8 po) pour tourner la vis de réglage du laser jusqu'à ce que le faisceau s'aligne avec la ligne de guidage.
- Tourner lentement la vis dans le sens contraire aux aiguilles d'une montre pour aligner le laser vers la gauche ou dans le sens des aiguilles d'une montre pour aligner le laser vers la droite.

## RÉGLAGE LE LEVIER DE VERROUILLAGE DE LA PROFONDEUR

Voir figure 27, page 19.

Avec le temps et à cause de l'usure, le levier de verrouillage de la profondeur peut se déplacer de sa position d'origine. Si le levier entre en contact prématurément avec toute pièce de la scie pendant le vissage ou le dévissage, ajuster le levier en suivant les étapes suivantes :

- Débrancher la scie.
- Tirer le levier de verrouillage de la profondeur vers le haut afin de le dégager.
- Abaisser la base de la scie à la position minimale de coupe puis pousser le levier de verrouillage de la profondeur vers le bas afin de bien le fixer.
- Insérer un tournevis à tête plate dans l'espace situé entre l'écrou de blocage et l'anneau en E. Anneau en E.
- Marquer la position du levier sur l'écrou. Glisser le levier de verrouillage de la profondeur hors de l'écrou de blocage.
- L'écrou de blocage possède six côtés plats. Tourner le levier de verrouillage de la profondeur sur un côté vers la gauche autour de l'écrou. Puis glisser à nouveau en place.
- Pousser l'anneau en E sur la rainure de l'écrou de blocage jusqu'à ce qu'elle s'enclenche en place. Il ne faut pas que l'anneau en E sorte de l'écrou de blocage.
- Déserrer le levier de verrouillage de la profondeur et remettre la base en position de coupe de pleine profondeur et verrouiller le réglage de profondeur en poussant le levier de verrouillage de la profondeur vers le bas. La position de la base doit être verrouillée correctement et libre de mouvement lors du relâchement.

# ENTRETIEN

## AVERTISSEMENT :

Utiliser exclusivement des pièces identiques à celles d'origine pour les réparations. L'usage de toute autre pièce pourrait créer une situation dangereuse ou endommager l'outil.

## AVERTISSEMENT :

Toujours porter une protection oculaire avec écrans latéraux certifiée conforme à la norme ANSI Z87.1. Si cette précaution n'est pas prise, des objets peuvent être projetés dans les yeux et causer des lésions graves.

## ENTRETIEN GÉNÉRAL

Éviter d'utiliser des solvants pour le nettoyage des pièces en plastique. La plupart des matières plastiques peuvent être endommagées par divers types de solvants du commerce. Utiliser un chiffon propre pour éliminer la saleté, la poussière, l'huile, la graisse, etc.

## AVERTISSEMENT :

Ne jamais laisser de liquides tels que le fluide de freins, l'essence, les produits à base de pétrole, les huiles pénétrantes, etc., entrer en contact avec les pièces en plastique. Les produits chimiques peuvent endommager, affaiblir ou détruire le plastique, ce qui peut entraîner des blessures graves.

Les outils électriques utilisés sur la fibre de verre, le placoplâtre, les mastics de bouchage ou le plâtre s'usent plus vite et sont susceptibles de défaillance prématurée, car les particules et les éclats de fibre de verre sont fortement abrasifs pour les roulements, balais, commutateurs, etc. Toutefois, si l'outil a été utilisé sur l'un de ces matériaux, il est extrêmement important de le nettoyer à l'air comprimé.

## LUBRIFICATION

Tous les roulements de ce produit sont enduits d'une quantité suffisante de lubrifiant de haute qualité pour la durée de vie de l'outil, dans des conditions d'utilisation normales. Aucune autre lubrification n'est donc nécessaire.

## REPLACEMENT DU CORDON D'ALIMENTATION

S'il y a lieu, le cordon d'alimentation doit être remplacé par le fabricant ou l'un de ses agents afin d'éviter tout risque.

# ACCESSOIRES

Pour obtenir ces accessoires, appeler le 1-800-525-2579.

■ Ensemble de buse à poussière .....200673002

## AVERTISSEMENT :

Les outils et accessoires disponibles actuellement pour cet outil sont listés ci-dessus. Ne pas utiliser d'outils ou accessoires non recommandés pour cet outil. L'utilisation de pièces et accessoires non recommandés peut entraîner des blessures graves.

**NOTE : ILLUSTRATIONS COMMENÇANT  
SUR 15 DE PAGE APRÈS LE SECTION ESPAGNOL.**



**NOTES**

---

---

---

---

---

---

---

---

---

---

---

---

---

---

---

---

---

---

---

---

---

---

---

---

---

---

---

---

---

---

# ADVERTENCIAS DE SEGURIDAD PARA HERRAMIENTAS ELÉCTRICAS

## ADVERTENCIA

**Lea todas las advertencias de seguridad y las instrucciones.** La inobservancia de las advertencias e instrucciones puede causar descargas eléctricas, incendios o lesiones graves.

**Guarde todas las advertencias e instrucciones para consultarlas en el futuro.** El término “herramienta eléctrica” en las advertencias se refiere a las herramientas eléctricas que funcionan con corriente (con cordón) o las que funcionan con batería (inalámbricas).

## ÁREA DE TRABAJO

- **Mantenga limpia y bien iluminada el área de trabajo.** Un área de trabajo mal despejada o mal iluminada propicia accidentes.
- **No utilice herramientas motorizadas en atmósferas explosivas, como las existentes alrededor de líquidos, gases y polvos inflamables.** Las herramientas eléctricas generan chispas que pueden encender el polvo y los vapores inflamables.
- **Mantenga alejados a los niños y circunstantes al maniobrar una herramienta eléctrica.** Toda distracción puede causar la pérdida del control de la herramienta.

## SEGURIDAD ELÉCTRICA

- **Las clavijas de las herramientas eléctricas deben corresponder a las tomas de corriente donde se conectan. Nunca modifique la clavija de ninguna forma. No utilice ninguna clavija adaptadora con herramientas eléctricas dotadas de contacto a tierra.** Conectando las clavijas originales en las tomas de corriente donde corresponden se disminuye el riesgo de una descarga eléctrica.
- **Evite el contacto del cuerpo con las superficies de objetos conectados a tierra, como las tuberías, radiadores, estufas y refrigeradores.** Existe un mayor riesgo de descargas eléctricas si el cuerpo está haciendo tierra.
- **No exponga las herramientas eléctricas a la lluvia ni a condiciones de humedad.** La introducción de agua en una herramienta eléctrica aumenta el riesgo de descargas eléctricas.
- **No maltrate el cordón eléctrico. Nunca utilice el cordón para trasladar, desconectar o tirar de la herramienta eléctrica. Mantenga el cordón lejos del calor, aceite, bordes afilados y piezas móviles.** Los cordones eléctricos dañados o enredados aumentan el riesgo de descargas eléctricas.
- **Al utilizar una herramienta eléctrica a la intemperie, use un cordón de extensión apropiado para el exterior.** Usando un cordón adecuado para el exterior se disminuye el riesgo de descargas eléctricas.
- **Si debe operar una herramienta en lugares húmedos, use un suministro protegido por un interruptor de circuito con pérdida a tierra (GFCI).** El uso de un GFCI reduce el riesgo de descargas eléctricas.

## SEGURIDAD PERSONAL

- **Permanezca alerta, preste atención a lo que esté haciendo y aplique el sentido común al utilizar herramientas eléctricas. No utilice la herramienta eléctrica si está cansado o se encuentra bajo los efectos de alguna droga, alcohol o medicamento.** Un momento de inatención al utilizar una herramienta eléctrica puede causar lesiones corporales serias.

- **Utilice protección el equipo otros. Siempre póngase protección ocular.** El uso de equipo protector como mascarilla para el polvo, calzado de seguridad, casco y protección para los oídos en las circunstancias donde corresponda disminuye el riesgo de lesiones.
- **Evite que la herramienta se active accidentalmente. Asegúrese de que el interruptor esté en la posición de apagado antes de conectar la herramienta a un suministro de corriente o de colocar un paquete de baterías.** Transportar herramientas eléctricas con el dedo en el interruptor o enchufar herramientas eléctricas que tienen el interruptor encendido puede ocasionar accidentes.
- **Retire toda llave o herramienta de ajuste antes de encender la herramienta eléctrica.** Toda llave o herramienta de ajuste dejada en una pieza giratoria de la herramienta eléctrica puede causar lesiones.
- **No estire el cuerpo para alcanzar mayor distancia. Mantenga una postura firme y buen equilibrio en todo momento.** De esta manera se logra un mejor control de la herramienta eléctrica en situaciones inesperadas.
- **Vístase adecuadamente. No vista ropas holgadas ni joyas. Mantenga el cabello, la ropa y los guantes alejados de las piezas móviles.** Las ropas holgadas y las joyas, así como el cabello largo, pueden engancharse en las piezas móviles.
- **Si se suministran dispositivos para conectar mangueras de extracción y captación de polvo, asegúrese de que éstas estén bien conectadas y se usen correctamente.** El uso de la captación de polvo puede reducir los peligros relacionados con éste.
- **No vista ropas holgadas ni joyas. Recójase el cabello si está largo.** Las ropas holgadas y las joyas, así como el cabello largo, pueden resultar atraídas hacia el interior de las aberturas de ventilación.
- **No utilice la unidad al estar en una escalera o en un soporte inestable.** Una postura estable sobre una superficie sólida permite un mejor control de la herramienta eléctrica en situaciones inesperadas.

## EMPLEO Y CUIDADO DE LA HERRAMIENTA ELÉCTRICA

- **No fuerce la herramienta eléctrica. Utilice la herramienta eléctrica adecuada para cada trabajo.** La herramienta eléctrica adecuada efectúa mejor y de manera más segura el trabajo, si además se maneja a la velocidad para la que está diseñada.
- **No utilice la herramienta si el interruptor no enciende o no apaga.** Cualquier herramienta eléctrica que no pueda controlarse con el interruptor es peligrosa y debe repararse.
- **Desconecte la clavija del suministro de corriente o retire el paquete de baterías de la herramienta eléctrica, según sea el caso, antes de efectuarle cualquier ajuste, cambiarle accesorios o guardarla.** Tales medidas preventivas de seguridad reducen el riesgo de poner en marcha accidentalmente la herramienta.
- **Guarde las herramientas eléctricas desocupadas fuera del alcance de los niños y no permita que las utilicen personas no familiarizadas con las mismas o con estas instrucciones.** Las herramientas eléctricas son peligrosas en manos de personas no capacitadas en el uso de las mismas.

# ADVERTENCIAS DE SEGURIDAD PARA HERRAMIENTAS ELÉCTRICAS

- Preste servicio a las herramientas eléctricas. Revise para ver si hay desalineación o atoramiento de piezas móviles, ruptura de piezas o cualquier otra condición que pueda afectar el funcionamiento de la herramienta. Si está dañada la herramienta eléctrica, permita que la reparen antes de usarla. Numerosos accidentes son causados por herramientas eléctricas mal cuidadas.
- Mantenga las herramientas de corte afiladas y limpias. Las herramientas de corte bien cuidadas y con bordes bien afilados, tienen menos probabilidad de atascarse en la pieza de trabajo y son más fáciles de controlar.
- Utilice la herramienta eléctrica, los accesorios y brocas, hojas y cuchillas de corte, ruedas de esmeril, etc. de conformidad con estas instrucciones, tomando en cuenta las condiciones de trabajo y la tarea por realizar. Si se utiliza la herramienta eléctrica para operaciones diferentes de las indicadas podría originar una situación peligrosa.



## ADVERTENCIA:

Nunca utilice discos de trocear abrasivos de ninguna clase con esta sierra. De usarse hojas de corte no diseñadas para madera puede ocasionar daños físicos o graves lesiones personales.

## SERVICIO

- Permita que un técnico de reparación calificado preste servicio a la herramienta eléctrica, y sólo con piezas de repuesto idénticas. De esta manera se mantiene la seguridad de la herramienta eléctrica.
- Al dar servicio a una herramienta eléctrica, sólo utilice piezas de repuesto idénticas. Siga las instrucciones señaladas en la sección Mantenimiento de este manual. El empleo de piezas no autorizadas o el incumplimiento de las instrucciones de mantenimiento puede significar un riesgo de descarga eléctrica o de lesiones.

# ADVERTENCIAS DE SEGURIDAD SIERRA CIRCULAR

## PROCEDIMIENTOS DE CORTE



### PELIGRO:

Mantenga las manos alejadas del área de corte y de la hoja. Mantenga la otra mano en el mango auxiliar o en el alojamiento del motor. Si ambas manos están sujetando la sierra, la hoja de corte no puede lesionarlas.

- No trate de alcanzar nada bajo la pieza de trabajo. La protección no puede proteger al operador de la hoja bajo la pieza de trabajo.
- Ajuste la profundidad de corte al espesor de la pieza de trabajo. Por debajo de la pieza de trabajo, debe verse menos de un diente completo de la hoja.
- Nunca sujete la pieza de trabajo con las manos ni puesta en la pierna. Asegure la pieza de trabajo en una plataforma estable. Es importante apoyar correctamente la pieza para reducir al mínimo la exposición del cuerpo, el atoramiento de la hoja y la pérdida de control.
- Sujete la herramienta eléctrica por las superficies aisladas de sujeción al efectuar una operación en la cual la herramienta de corte pueda entrar en contacto con cables ocultos o con su propio cordón eléctrico. Si se corta un cable "cargado", es posible que las partes metálicas expuestas de la herramienta se "carguen" y, por lo tanto, el operador podría recibir una descarga eléctrica.
- Al cortar al hilo, siempre utilice una guía de corte al hilo o una guía recta. Esto mejora la precisión del corte y reduce la posibilidad de que la hoja se atasque.
- Use siempre hojas con orificios del árbol del tamaño y la forma correctos (con forma de diamante o redonda). Las hojas que no coinciden con los elementos de montaje de la sierra funcionarán de forma excéntrica, ocasionando la pérdida de control.

- Nunca utilice un perno o arandelas de la hoja que estén dañados o sean incorrectos. Las arandelas y el perno de la hoja fueron diseñados especialmente para su sierra, para ofrecer un rendimiento óptimo y seguridad en el funcionamiento.

## CAUSAS DE CONTRAGOLPE Y ADVERTENCIAS RELACIONADAS

- El contragolpe es una reacción súbita a un pellizcamiento, atoramiento o desalineación de la hoja de la sierra, lo cual causa el descontrol, levantamiento y salida de la misma de la pieza de trabajo, hacia el operador.
- Cuando el corte al irse cerrando pellizca o atora ajustadamente la hoja de corte, ésta tiende a detenerse y la reacción del motor impulsa de forma rápida y violenta la unidad hacia el operador.
- Si la hoja se tuerce o desalinea en el corte, los dientes situados en el borde posterior de la hoja pueden encajarse en la superficie externa de la madera, causando de esta manera la salida de la hoja fuera del corte y un salto de la misma hacia el operador.

El mal uso de la sierra ocasionará un contragolpe y/o de procedimientos o condiciones de trabajo incorrectas, y puede evitarse tomando las medidas de precaución adecuadas, como las señadas abajo:

- Sujete firmemente la sierra con ambas manos y coloque sus brazos de manera tal que resista la fuerza del contragolpe. Coloque su cuerpo a un costado de la hoja y no alineado con ésta. El contragolpe puede ocasionar que la sierra salte hacia atrás. Sin embargo, el operador puede controlar la fuerza del contragolpe si toma las precauciones apropiadas.
- Cuando esté atorándose la hoja, o esté interrumpiéndose el corte por alguna razón, suelte el gatillo y mantenga inmóvil la sierra en el material hasta que se detenga completamente la sierra. Nunca intente retirar la sierra de la pieza de trabajo ni tirar de la misma hacia atrás mientras esté en movimiento la hoja de corte, ya que puede ocasionar un contragolpe. Investigue y tome las medidas correctivas adecuadas para eliminar la causa del atoramiento de la hoja.

# ADVERTENCIAS DE SEGURIDAD SIERRA CIRCULAR

- **Al volver a arrancar la sierra en la pieza de trabajo, centre la hoja en el corte y verifique que los dientes de la misma no estén encajados en el material.** Si la sierra está atorándose, puede salirse de la pieza de trabajo o dar un contragolpe al volverse a rearrancar.
- **Apoye debidamente los paneles grandes para reducir al mínimo el riesgo de un pellizcamiento de la hoja de corte y de un contragolpe.** Los paneles grandes tienden a combarse bajo su propio peso. Deben colocarse soportes bajo ambos lados del panel, cerca de la línea de corte y de la orilla del mismo.
- **No utilice hojas de corte desafiladas o dañadas.** Las hojas de corte desafiladas o triscadas de forma incorrecta producen un corte angosto con la consiguiente fricción excesiva, atoramiento de la hoja misma y contragolpe.
- **Las palancas de bloqueo de ajuste de profundidad y de biselado deben estar apretadas y aseguradas antes de efectuarse el corte.** Si cambia el ajuste de la hoja durante el corte, puede causarse el atoramiento de la misma y un contragolpe.
- **Tenga precaución extra al efectuar cortes en cavidad en paredes o en otras partes ciegas (sin vista por ambos lados).** La parte sobresaliente de la hoja puede cortar objetos que pueden causar un contragolpe.
- **Familiarícese con su herramienta eléctrica. Lea cuidadosamente el manual del operador. Aprenda sus usos y limitaciones, así como los posibles peligros específicos de esta herramienta.** Con el cumplimiento de esta regla se reduce el riesgo de una descarga eléctrica, incendio o lesión seria.
- **Siempre póngase protección ocular con protección lateral con la marca de cumplimiento de la norma ANSI Z87.1.** Si no cumple esta advertencia, los objetos que salen despedidos pueden producirle lesiones serias en los ojos.
- **Protéjase los pulmones. Use una careta o mascarilla contra el polvo si la operación genera mucho polvo.** Con el cumplimiento de esta regla se reduce el riesgo de lesiones serias.
- **Protéjase los oídos. Durante períodos prolongados de utilización del producto, póngase protección d'oreille.** Con el cumplimiento de esta regla se reduce el riesgo de lesiones corporales serias.
- **Inspeccione periódicamente los cordones eléctricos de las herramientas, y si están dañados, permita que los reparen en el centro de servicio autorizado más cercano de la localidad. Observe constantemente la ubicación del cordón eléctrico.** Con el cumplimiento de esta regla se reduce el riesgo de una descarga eléctrica o incendio.
- **Revise para ver si hay piezas dañadas. Antes de seguir utilizando la herramienta, es necesario inspeccionar cuidadosamente toda protección o pieza dañada para determinar si funcionará correctamente y desempeñará la función a la que está destinada. Verifique la alineación de las partes móviles, que no haya atoramiento de partes móviles, que no haya piezas rotas, el montaje de las piezas y cualquier otra condición que pudiera afectar su funcionamiento. Toda protección o pieza que esté dañada debe repararse apropiadamente o reemplazarse en un centro de servicio autorizado.** Con el cumplimiento de esta regla se reduce el riesgo de una descarga eléctrica, incendio o lesión grave.

## FUNCIÓN DE PROTECCIÓN INFERIOR




- **Cada vez antes de utilizar la unidad verifique que cierre correctamente la protección inferior. No utilice la sierra si la protección inferior no se mueve libremente y no cierra instantáneamente. Nunca asegure de ninguna forma la protección inferior en la posición abierta.** Si se deja caer accidentalmente la sierra, la protección inferior puede sufrir un doblamiento. Suba la protección inferior con el mango retractor y asegúrese de que se mueve libremente y no toca la hoja de corte ni ninguna otra parte, en todos los ángulos y profundidades de corte.
- **Verifique el funcionamiento del resorte de la protección inferior. Si la protección y el resorte no funcionan correctamente, debe proporcionárseles servicio antes de utilizar la unidad.** La protección inferior puede moverse con lentitud debido a piezas dañadas, depósitos gomosos o acumulación de desechos.
- **El protector inferior se deberá retraer manualmente sólo en el caso de cortes especiales como "cortes de penetración" y "cortes compuestos". Levante el protector inferior trayendo el mango y, ni bien la hoja ingrese en el material, libere el protector inferior.** Para todas las demás operaciones de aserrado, el protector inferior se deberá operar automáticamente.
- **Siempre asegúrese de que la protección inferior esté cubriendo la hoja de corte antes de colocar la sierra en un banco de trabajo o en el piso.** Si la hoja no está protegida y está aún en movimiento, la sierra avanza hacia atrás y corta cualquier objeto situado en su trayecto. Tenga presente el tiempo requerido por la hoja para detenerse después de soltarse el interruptor.
- **Asegúrese de que esté en buen estado el cordón de extensión. Al utilizar un cordón de extensión, utilice uno del suficiente calibre para soportar la corriente que consume el producto. Se recomienda que los conductores sean de calibre 12 (A.W.G.) por lo menos, para un cordón de extensión de 15,2 m (50 pies) de largo o menos. No se recomienda utilizar un cordón con más de 30 m (100 pies) de largo. Si tiene dudas, utilice un cordón del calibre más grueso siguiente. Cuanto menor es el número de calibre, mayor es el grueso del cordón.** Un cordón de un calibre insuficiente causa una caída en el voltaje de línea, y produce recalentamiento y pérdida de potencia.
- **Inspeccione la madera y elimine todos los clavos presentes en la misma antes de usar esta herramienta.** Con el cumplimiento de esta regla se reduce el riesgo de lesiones serias.
- **No vista ropas holgadas ni joyas. Recójase el cabello si está largo.** Las ropas holgadas y las joyas, así como el cabello largo, pueden resultar atraídas hacia el interior de las aberturas de ventilación.
- **Guarde estas instrucciones.** Consúltelas con frecuencia y empléelas para instruir a otras personas que puedan utilizar esta herramienta. Si presta a alguien esta herramienta, facilítele también las instrucciones.

## REGLAS DE SEGURIDAD ADICIONALES







- **Utilice prensas o cualquier otro medio práctico de asegurar y sostener la pieza de trabajo en una plataforma segura.** Sostener la pieza con la mano o contra el cuerpo lo hace inestable y puede causar una pérdida de control.

# SÍMBOLOS

Las siguientes palabras de señalización y sus significados tienen el objeto de explicar los niveles de riesgo relacionados con este producto.

SÍMBOLO	SEÑAL	SIGNIFICADO
	<b>PELIGRO:</b>	Indica una situación peligrosa, la cual, si no se evita, causará la muerte o lesiones serias.
	<b>ADVERTENCIA:</b>	Indica una situación peligrosa, la cual, si no se evita, podría causar la muerte o lesiones serias.
	<b>PRECAUCIÓN:</b>	Indica una situación peligrosa, la cual, si no se evita, podría causar lesiones menores o leves.
	<b>AVISO:</b>	(Sin el símbolo de alerta de seguridad) Indica la información que se considera importante, pero no relacionada con lesiones potenciales (por ej. en relación a daños a la propiedad).

Es posible que se empleen en este producto algunos de los siguientes símbolos. Le suplicamos estudiarlos y aprender su significado. Una correcta interpretación de estos símbolos le permitirá utilizar mejor y de manera más segura el producto.

SÍMBOLO	NOMBRE	DENOMINACIÓN/EXPLICACIÓN
	Alerta de seguridad	Indica un peligro posible de lesiones personales.
	Lea el manual del operador	Para reducir el riesgo de lesiones, el usuario debe leer y comprender el manual del operador antes de usar este producto.
	Protección ocular	Siempre póngase protección ocular con protección lateral con la marca de cumplimiento de la norma ANSI Z87.1.
	Alerta de condiciones húmedas	No exponga la unidad a la lluvia ni la use en lugares húmedos.
	Símbolo de no acercar las manos	Failure to keep your hands away from the blade will result in serious personal injury.
V	Volts	Voltaje
A	Amperes	Corriente
Hz	Hertz	Frecuencia (ciclos por segundo)
min	Minutos	Tiempo
~	Corriente alterna	Tipo de corriente
n <sub>o</sub>	Velocidad en vacío	Velocidad de rotación, en vacío
	Fabricación Clase II	Fabricación con doble aislamiento
.../min	Por minuto	Revoluciones, carreras, velocidad superficial, órbitas, etc., por minuto



# ASPECTOS ELÉCTRICOS

## DOBLE AISLAMIENTO

El doble aislamiento es una característica de seguridad de las herramientas eléctricas, la cual elimina la necesidad de usar el típico cordón eléctrico de tres conductores con conexión a tierra. Todas las partes metálicas expuestas están aisladas de los componentes metálicos internos del motor por medio de aislamiento de protección. No es necesario conectar a tierra las herramientas con doble aislamiento.

### ADVERTENCIA:

El sistema de doble aislamiento está destinado a proteger al usuario contra las descargas eléctricas resultantes de la ruptura del aislamiento interno de la herramienta. Observe todas las precauciones de seguridad para evitar descargas eléctricas.

**NOTA:** El mantenimiento de una herramienta con doble aislamiento requiere sumo cuidado y conocimiento del sistema, y únicamente deben realizarlo técnicos de servicio calificados. Para el servicio de la herramienta, le sugerimos llevarla al centro de servicio autorizado más cercano para toda reparación. Siempre utilice piezas de repuesto de la fábrica original al dar servicio a la unidad.

## CONEXIÓN ELÉCTRICA

Este producto dispone de un motor eléctrico fabricado con precisión. Debe conectarse únicamente a **una línea de voltaje de 120 Volts, de corr. alt. solamente (corriente normal para uso doméstico), 60 Hertz**. No utilice esta herramienta con corriente continua (c.c.). Una caída considerable de voltaje causa una pérdida de potencia y el recalentamiento del motor. Si la herramienta no funciona al conectarla en una toma de corriente, vuelva a verificar el suministro de voltaje.

## CORDONES DE EXTENSIÓN

Al utilizar una herramienta eléctrica a una distancia considerable de la fuente de voltaje, asegúrese de utilizar un cordón de extensión con la suficiente capacidad para soportar la corriente de consumo de la herramienta. Un cordón de un calibre insuficiente causa una caída en el voltaje de línea, la cual a su vez produce recalentamiento y pérdida de potencia. Básese en la tabla suministrada para determinar el grueso mínimo requerido del cordón de extensión. Solamente deben utilizarse cordones con forro redondo registrados en Underwriter's Laboratories (UL).

Al trabajar a la intemperie con una herramienta, utilice un cordón de extensión fabricado para uso en el exterior. Este tipo de cordón lleva las letras "WA" o "W" en el forro.

Antes de utilizar un cordón de extensión, inspecciónelo para ver si tiene conductores flojos o expuestos y aislamiento cortado o gastado.

\*\*Amperaje (aparece en la placa de datos de la herramienta)

Longitud del cordón	Calibre conductores (A.W.G.)					
	0-2,0	2,1-3,4	3,5-5,0	5,1-7,0	7,1-12,0	12,1-16,0
25'	16	16	16	16	14	14
50'	16	16	16	14	14	12
100'	16	16	14	12	10	—

\*\*Se usa en los circuitos de calibre 12, 20 amp.

**NOTA:** AWG = American Wire Gauge

### ADVERTENCIA:

Mantenga el cordón de extensión fuera del área de trabajo. Al trabajar con una herramienta eléctrica, coloque el cordón de tal manera que no pueda enredarse en la madera, herramientas ni en otras obstrucciones. La inobservancia de esta advertencia puede causar lesiones serias.

### ADVERTENCIA:

Inspeccione los cordones de extensión cada vez antes de usarlos. Si están dañados reemplácelos de inmediato. Nunca utilice la herramienta con un cordón dañado, ya que si toca la parte dañada puede producirse una descarga eléctrica, y las consecuentes lesiones serias.

# CARACTERISTICAS

## ESPECIFICACIONES DEL PRODUCTO

Diámetro de la Hoja..... 184 mm (7-1/4 pulg.)  
Eje de la Hoja ..... 16 mm (5/8 pulg.)  
Profundidad de Corte a 0° ..... 61,9 mm (2-7/16 pulg.)  
Profundidad de Corte a 45° ..... 47,6 mm (1-7/8 pulg.)

Profundidad de Corte a 51.5° ..... 42,9 mm (1-11/16 pulg.)  
Velocidad sin Carga.....5200 r/min (RPM)  
Corriente de entrada ..... 120 V, sólo corr. alt., 60 Hz, 15 A  
Guía láser .....Clase IIIa, <5mW max, 650nm

## ARMADO

### DESEMPAQUETADO

Este producto requiere armarse.

- Extraiga cuidadosamente de la caja la producto y los accesorios. Todos los elementos enumerados en la sección **Incluye** se deben incluir al momento de la compra.

#### ADVERTENCIA:

Las piezas incluidas en esta sección de *Armado* no vienen ensambladas en el producto de fábrica y requieren la instalación por parte del cliente. El uso de un producto que pueda haber sido armado de manera incorrecta podría provocar lesiones personales graves.

- Si hay alguna pieza dañada o faltante, llame al 1-800-525-2579, donde le brindaremos asistencia.

#### ADVERTENCIA:

Si hay piezas dañadas o faltantes, no utilice esta herramienta sin haber reemplazado las piezas dañadas o faltantes. Usar este producto con falta o está dañada alguna pieza podría tener como resultado herida personal grave.

#### ADVERTENCIA:

No intente modificar este producto ni hacer aditamentos ni accesorios no recomendados para el mismo. Cualquier alteración o modificación constituye maltrato el cual puede causar una condición peligrosa, y como consecuencia posibles lesiones corporales serias.

#### ADVERTENCIA:

No conecte la unidad al suministro de corriente sin haber terminado de armarla. De lo contrario la unidad puede ponerse en marcha accidentalmente, con el consiguiente riesgo de lesiones corporales serias.

#### ADVERTENCIA:

La máxima capacidad de diámetro de hoja de la sierra es 184 mm (7-1/4 pulg.). También, nunca utilice una hoja tan gruesa que no pueda acoplarse la arandela exterior de la hoja en la parte plana del husillo. Las hojas más grandes tocan las protecciones de la hoja, y las más gruesas impiden asegurarlas con el tornillo correspondiente en el husillo. Cualquiera de estas dos situaciones puede causar un accidente serio.

#### AVISO:

Para evitar dañar el husillo o el seguro del mismo, siempre deje que el motor se detenga completamente antes de enganchar el seguro.

### MONTAJE/ DESMONTAJE DE LA HOJA

*Vea las figuras 2 a 3, página 16.*

#### Para instalar la hoja:

- Desconecte la sierra.
- Oprima y mantenga oprimido el botón de bloqueo del husillo.
- Retire el tornillo de la hoja; para ello, gírelo hacia la izquierda con la llave de tuercas mientras mantiene oprimido el botón de bloqueo del husillo.
- Retire la arandela resorte y la arandela exterior (arandela en "D") de la hoja.
- Unte una gota de aceite en el buje de brida interior y en la arandela exterior de la hoja (arandela en "D"), en donde entran en contacto con la hoja.
- Con la manija correspondiente, retraiga la protección inferior de la hoja hacia adentro de la protección superior. Asegúrese de que el resorte de la protección inferior funcione correctamente y permita a ésta moverse libremente.
- Revise para ver si los dientes de la sierra, la flecha de la hoja y la flecha de la protección superior están apuntando en la misma dirección.

**NOTA:** Los dientes de la sierra apuntan hacia arriba en la parte delantera de la sierra, como se muestra.

# ARMADO

## **ADVERTENCIA:**

Si se quitó el buje interior de la hoja, vuelva a colocarlo en la orientación correcta (siguiendo las marcas en el buje) antes de colocar la hoja en el husillo. De lo contrario puede impedirse el apriete correcto de la hoja, con el consiguiente riesgo de lesiones serias.

- Acomode la hoja de la sierra dentro de la protección inferior, y luego móntela en el husillo.
- Vuelva a colocar la arandela exterior de la hoja en “D”.
- Vuelva a colocar la arandela elástica con el lado cóncavo hacia la arandela en “D”.
- Oprima el botón de bloqueo del husillo y vuelva a colocar el tornillo de la hoja.

- Apriete firmemente el tornillo de la hoja; para ello, gírelo hacia la izquierda con la llave.

**NOTA:** Nunca utilice una hoja tan gruesa que no permita acoplar la arandela exterior de la hoja en “D” en la parte plana del husillo.

### **Para retire la hoja:**

- Desconecte la sierra.
- Oprima y mantenga oprimido el botón de bloqueo del husillo.
- Retire el tornillo de la hoja; para ello, gírelo hacia la izquierda con la llave de tuercas mientras mantiene oprimido el botón de bloqueo del husillo.
- Retire la arandela resorte y la arandela exterior (arandela en “D”) de la hoja.
- Levante la protección inferior de la hoja.
- Retire la hoja.

# FUNCIONAMIENTO

## **PELIGRO:**

**Mantenga las manos alejadas del área de corte y de la hoja. Mantenga su mano menos hábil sobre la manija auxiliar, o sobre el alojamiento del motor.** Si sostiene la sierra con ambas manos, no existe posibilidad alguna de sufran cortes accidentales.

## **ADVERTENCIA:**

Nunca utilice discos de trocear abrasivos de ninguna clase con esta sierra. De usarse hojas de corte no diseñadas para madera puede ocasionar daños físicos o graves lesiones personales.

## **ADVERTENCIA:**

No permita que su familiarización con este producto lo vuelva descuidado. Tenga presente que un descuido de un instante es suficiente para causar una lesión grave.

## **CONTRAGOLPE**

*Vea las figuras 4 a 7, página 17.*

El contragolpe sucede cuando la hoja se detiene rápidamente y la sierra sale empujada hacia el operador. El atoramiento de la hoja es causado por cualquier acción que produzca el pellizcamiento de la hoja en la madera.

## **ADVERTENCIA:**

Siempre póngase protección ocular con protección lateral con la marca de cumplimiento de la norma ANSI Z87.1. Si no cumple esta advertencia, los objetos que salen despedidos pueden producirle lesiones serias en los ojos.

## **PELIGRO:**

Si la hoja se atora o se detiene la sierra, suelte de inmediato el interruptor. El contragolpe podría causar la pérdida de control de la sierra. La pérdida de control puede originar lesiones serias.

## **USOS**

Este producto puede emplearse para los fines enumerados abajo:

- Para cortar todo tipo de productos de madera (tablas, madera contrachapada, paneles, madera aglomerada y madera dura)
- Para cortes transversales y al hilo en productos de madera
- Para cortes con bisel en productos de madera
- Para cortes en cavidad en productos de madera

Para protegerse y evitar contragolpes, evite prácticas peligrosas como las siguientes:

- Ajustar de forma incorrecta la profundidad de la hoja
- Cortar nudos o clavos presentes en la pieza de trabajo
- Torcer la hoja al efectuar un corte
- Cortar con una hoja desafilada, mal triscada o cubierta de goma
- Apoyar de forma incorrecta la pieza de trabajo
- Efectuar cortes forzados
- Cortar madera combada o húmeda
- Utilizar la herramienta de forma incorrecta o para un uso inadecuado

# FUNCIONAMIENTO

Para disminuir el peligro de un contragolpe, siga estas prácticas de seguridad.

- Mantenga la hoja a un ajuste de profundidad correcto. Por debajo de la pieza de trabajo, debe verse menos de un diente completo de la hoja.
- Inspeccione la pieza de trabajo para ver si contiene nudos o clavos antes de empezar a cortar. Nunca corte nudos ni clavos.
- Corte en línea recta. Siempre utilice una guía al efectuar cortes al hilo. Esto ayuda a evitar el torcimiento de la hoja.
- Use hojas limpias, afiladas y triscadas correctamente. Nunca efectúe cortes con hojas sin filo.
- Apoye y sujete adecuadamente la pieza de trabajo antes de iniciar un corte.
- Aplique una presión estable y uniforme al efectuar el corte. Nunca efectúe cortes forzados.
- No corte madera combada o húmeda.
- Sujete firmemente la sierra con ambas manos y mantenga el cuerpo en una postura bien equilibrada de manera que pueda resistir las fuerzas de un contragolpe si llegara a ocurrir.

## ADVERTENCIA:

Al utilizar la sierra, siempre permanezca alerta y en control de la herramienta. No retire la sierra de la pieza de trabajo mientras continúe en movimiento la hoja.

## HOJAS DE LA SIERRA

Incluso las mejores hojas para sierra no cortan eficientemente si no se mantienen, limpias, afiladas y debidamente triscadas. Si se utiliza una hoja desafilada, se le impone una carga muy pesada a la sierra y se aumenta el peligro de un contragolpe. Mantenga hojas extra a la mano, de manera que siempre haya hojas afiladas disponibles.

La goma y la resina endurecidas en las hojas hacen más lenta la sierra. Retire la hoja de la sierra y utilice limpiador de goma y de resina, agua caliente o queroseno para limpiar la acumulación de estas sustancias. **NO UTILICE GASOLINA.**

## SISTEMA DE PROTECCIÓN DE LA HOJA

*Vea la figura 8, página 17.*

La protección inferior montada en la sierra circular es para protección y seguridad del operador. No la altere de ninguna forma. Si se daña, no utilice la sierra hasta que haya reparado o reemplazado la protección, según sea necesario. Siempre deje la protección en la posición de trabajo al utilizar la sierra.

## PELIGRO:

Al cortar de lado a lado, la protección inferior no cubre la hoja por dicho lado de la pieza de trabajo. Puesto que la hoja queda expuesta por la parte inferior de la pieza de trabajo, mantenga las manos y los dedos alejados del área de corte. Cualquier parte del cuerpo que toque la hoja en movimiento puede resultar lesionada gravemente.

## ADVERTENCIA:

Nunca fije la protección inferior de la hoja en la posición elevada. Si se deja expuesta la hoja pueden originarse lesiones serias.

## PRECAUCIÓN:

Nunca utilice la sierra cuando no esté funcionando correctamente la protección. Siempre verifique el funcionamiento de la protección antes de utilizar la herramienta. La protección funciona correctamente cuando se mueve libremente y regresa de inmediato a la posición cerrada. Si deja caer la sierra, revise la protección inferior de la hoja y el parachoques para ver si tienen daños en todos los ajustes de la profundidad antes de volver a usar la unidad.

Si en cualquier momento la protección inferior de la hoja no cierra de inmediato, desconecte la sierra del suministro de corriente. Ponga en movimiento la protección inferior moviéndola rápidamente de atrás hacia adelante, de la posición abierta a la cerrada, varias veces. Normalmente de esta manera se restablece el funcionamiento normal de la protección. No con esto no se corrige la lentitud o falta de libertad del movimiento de cierre de la protección inferior, no utilice la sierra. Lívela a un centro de servicio autorizado por la fábrica para su reparación.

## ENCENDIDO Y APAGADO DE LA SIERRA

*Vea la figura 9, página 17.*

**Para arrancar la sierra:** oprima el gatillo del interruptor.

Siempre permita que la hoja alcance su velocidad máxima, y después guíe la sierra introduciéndola en la pieza de trabajo.

## ADVERTENCIA:

Si la hoja toca la pieza de trabajo antes de alcanzar la velocidad máxima, podría causar un contragolpe de la sierra hacia usted y podría producirle lesiones graves.

**Para apagar la sierra:** suelte el gatillo del interruptor.

Después de soltar el gatillo del interruptor permita que se detenga completamente la hoja de corte. **No retire la sierra de la pieza de trabajo mientras continúe en movimiento la hoja.**

## AJUSTE DE LA PROFUNDIDAD DE LA HOJA

*Vea la figura 10, página 17.*

Siempre mantenga la hoja a un ajuste de profundidad correcto. Por debajo de la pieza de trabajo, debe verse menos de un diente completo de la hoja. Cuanto mayor es la profundidad de la hoja mayor es la posibilidad de un contragolpe y de un corte áspero. Para mayor precisión de la profundidad de corte se incluye una escala en la protección superior de la hoja.

# FUNCIONAMIENTO

## Para ajustar la profundidad de la hoja de corte:

- Desconecte la sierra.
- Afloje la palanca de ajuste de profundidad en la parte posterior de la sierra.
- Determine la profundidad de corte deseada.
- Localice la escala de profundidad de corte, en la parte posterior de la protección superior de la hoja.
- Mantenga horizontal la base contra la pieza de trabajo y suba o baje la sierra hasta que la punta de índice (o marca indicadora) se alinee con la muesca de la protección de la hoja.
- Apriete la palanca de profundidad correctamente.

## ESCALA DE LARGO DEL CORTE

Vea la figura 11, página 17.

Su sierra está equipada en la base con una escala de largo de corte. Es paralela con la hoja de la sierra y se puede usar para medir el largo del corte que hace la hoja en el material.

**NOTA:** El largo máximo del corte que puede ser medido es seis pulgadas. Además es exacto solamente cuando la profundidad de corte ha sido ajustada a la profundidad máxima del corte.

## UTILIZACIÓN DE LA GUÍA LÁSER

Vea la figura 12, página 17.

### **ADVERTENCIA:**

No vea directamente el rayo láser ni lo encienda cuando no tenga en uso la producto. La inobservancia de esta advertencia puede causar lesiones corporales serias.

La unidad láser viene ya instalada y alineada de la fábrica. Pero si el láser se desalinea después de un uso prolongado, consulte el apartado *Ajustes*.

**NOTA:** Efectúe un corte de prueba en un pedazo de madera desechable para asegurarse de que esté alineado el láser; puede ser necesario ajustar el láser.

- Marque claramente la línea por cortar en la pieza de trabajo.
- Ajuste la profundidad y el ángulo de corte según sea necesario y bloquee los ajustes de profundidad y bisel.
- Conecte la herramienta al suministro de corriente.
- Presione el botón del seguro de apagado y el gatillo para arrancar el motor. La guía láser se encenderá cuando se presione el interruptor y se apagará cuando se lo suelte.

**NOTA:** No toque la pieza de trabajo con la hoja sin que la sierra haya alcanzado su máxima velocidad.

- Empuje lentamente la sierra hacia la pieza de trabajo.
- **NOTA:** Mantenga el rayo láser en la línea marcada en la pieza de trabajo para lograr un corte de precisión.
- Una vez terminado el corte, deje que la sierra se detenga por completo. El láser se apagará cuando se suelte el gatillo.

## UTILIZACIÓN DE LA SIERRA

Vea las figuras 13 a 15, páginas 17 y 18.

Es importante comprender la forma correcta de utilizar la sierra. Consulte las figuras de esta sección para ver las formas correctas e incorrectas de manejar la sierra.

### **ADVERTENCIA:**

Para efectuar los cortes de forma más fácil y más segura, siempre mantenga un control adecuado de la sierra, sosteniéndola con ambas manos. La pérdida de control podría causar un accidente, y como consecuencia posibles lesiones corporales serias.

### **PELIGRO:**

Al levantar la sierra de la pieza de trabajo, la hoja queda expuesta en la parte inferior de la sierra hasta que cierra la protección inferior de la hoja. Asegúrese de que la protección inferior cierre antes de dejar en reposo la sierra.

### **ADVERTENCIA:**

**Utilice prensas o cualquier otro medio práctico de asegurar y sostener la pieza de trabajo en una plataforma segura.** Sostener la pieza de trabajo con la mano o contra el cuerpo es una práctica que genera inestabilidad y puede hacer que pierda el control de la herramienta, lo que podría causar graves lesiones.

### Para efectuar el mejor corte que sea posible:

- Sujete la sierra firmemente con ambas manos.
- Evite colocar la mano sobre la pieza de trabajo al efectuar un corte.
- Apoye la pieza de trabajo de manera que el corte le quede siempre a la derecha.
- Apoye la pieza de trabajo cerca del corte.
- Sujete firmemente la pieza de trabajo con prensas de manera que no se mueva durante el trabajo.
- Evite colocar la sierra en la parte de la pieza de trabajo que vaya a caer una vez terminado el corte.
- Coloque la pieza de trabajo con el lado “bueno” hacia abajo.
- Trace una línea guía a lo largo de la línea de corte antes de iniciar éste.
- Mantenga el cordón eléctrico alejado del área del corte. Siempre coloque el cordón de tal manera que le impida engancharse en la pieza de trabajo al efectuar un corte.

### **PELIGRO:**

Si el cordón se engancha en la pieza de trabajo durante un corte, suelte de inmediato el gatillo del interruptor y permita que se detenga completamente la hoja de corte. Desconecte la sierra y cambie la posición del cordón para evitar que vuelva a engancharse.



# FUNCIONAMIENTO

## **ADVERTENCIA:**

Si utiliza la sierra con el cordón dañado puede causarse lesiones serias e incluso la muerte. Si se daña el cordón, permita que lo repare un técnico antes de volver a utilizar la sierra.

## **CORTES TRANSVERSALES Y AL HILO**

Al efectuar un corte transversal o al hilo, alinee la línea de corte con la muesca guía exterior de la base, como se muestra en la figura.

Puesto que el espesor de las hojas varía, siempre efectúe un corte de prueba en material desechable a lo largo de una línea guía para determinar qué tanto debe desplazar la línea guía para producir un corte preciso.

**NOTA:** La distancia existente de la línea de corte a la línea guía es la distancia que debe desplazar la guía.

## **GUÍA DE BORDES OPCIONAL**

*Vea las figuras 16 y 17, página 18.*

Utilice la guía de borde siempre al hacer cortes longitudinales cortes al hilo largos o anchos con la sierra.

### **Instalación de la guía de bordes:**

- Desconecte la sierra.
- Coloque la guía de bordes a través de las ranuras en la base de la sierra.
- Ajuste la guía de bordes al ancho que sea necesario para el corte.
- Apriete firmemente la perilla de la guía de bordes.

### **Como usar la guía de bordes:**

- Asegure la pieza de trabajo para evitar que se mueva.
- Coloque la cara de la guía de bordes firmemente contra el borde de la pieza de trabajo.
- Guíe la sierra a lo largo del borde para lograr un corte al hilo derecho.

**NOTA:** El borde de guía del trabajo debe estar derecho para que su corte quede derecho. Tenga cuidado para evitar que la hoja se quede atascada en el corte.

## **PARA CORTAR AL HILO SIN LA GUÍA DE BORDES**

*Voir la figure 18, page 18.*

Al efectuar cortes al hilo largos o anchos con la sierra utilice una guía.

- Asegure la pieza de trabajo.
- Sujete una regla (pieza recta) a la pieza de trabajo mediante prensas de mano.
- Corte a lo largo de la pieza recta para lograr un corte recto al hilo.

**NOTA:** No permita que se atore la hoja en el corte.

## **CORTES EN BISEL**

*Vea las figuras 19 - 21, página 18.*

Para hacer el mejor corte posible, siga estos consejos útiles:

- Alinee su línea de corte con la muesca de guía interior de la hoja en la base de la sierra cuando haga cortes en bisel de 45°.
- Haga un corte de prueba en un resto de madera a lo largo de una línea de guía para determinar cuanto debe desviar la línea de guía en el material del corte.
- Ajuste el ángulo del corte en cualquier punto entre cero y 51,5°. Consulte la sección siguiente **PARA REGULAR EL AJUSTE EN BISEL.**

## **PARA REGULAR EL AJUSTE EN BISEL**

*Vea la figuras 19 y 20, página 18.*

- Desconecte la sierra.
- Afloje la perilla de ajuste de bisel.
- Gire el extremo de la caja del motor de la sierra hasta que alcance el ajuste de ángulo deseado en la escala de bisel.
- Apriete firmemente la perilla de ajuste de bisel.

## **ADVERTENCIA:**

Si se intenta hacer un corte en bisel sin que la perilla de ajuste de bisel esté firmemente apretada se puede producir una lesión grave.

## **PARA HACER CORTES EN BISEL**

*Vea la figura 21, página 18.*

- Sujete firmemente la sierra con ambas manos como se muestra.
- Haga descansar el borde delantero de la base en la pieza de trabajo.
- Ponga en marcha la sierra y deje que la hoja alcance la velocidad plena.
- Guíe su sierra hacia el trabajo y complete el corte.
- Suelte el gatillo del interruptor y deje que la hoja se detenga completamente.
- Levante la sierra de la pieza de trabajo.

## **CORTE DE CAVIDADES**

*Vea la figura 22, página 18.*

## **ADVERTENCIA:**

Siempre regule el ajuste de corte en bisel a cero antes de hacer un corte de cavidad. Si intenta hacer un corte de cavidad en cualquier otro ajuste, puede resultar en pérdida de control de la sierra posiblemente causando una lesión grave.

# FUNCIONAMIENTO

- Regule el ajuste de bisel a cero y ajuste la perilla para bloquearlo.
- Coloque la hoja a la altura de corte correcto.
- Gire hacia arriba el protector de la hoja inferior usando la manija del protector inferior de la hoja.

**NOTA:** Siempre levante el protector inferior usando la manija para evitar lesiones graves.

- Sujete el protector de la hoja inferior con la manija, mientras mantiene la mano sobre la manija frontal como se ilustra.
- Haga descansar firmemente la parte delantera de la base de modo que quede plana contra la pieza de trabajo, con la parte trasera de la manija levantada de modo que la hoja no toque la pieza de trabajo.
- Ponga en marcha la sierra y deje que la hoja alcance la velocidad plena.
- Guíe su sierra hacia el trabajo y complete el corte.

## ADVERTENCIA:

Cuando corte cavidades siempre hágalo en dirección hacia adelante. Si corta en la dirección inversa puede causar de que la hoja trepe sobre la pieza de trabajo y retroceda hacia usted.

- Suelte el gatillo del interruptor y deje que la hoja se detenga completamente.

- Levante la sierra de la pieza de trabajo.
- Las esquinas pueden entonces ser perfeccionadas con una sierra manual o con una sierra alternativa.

## ADVERTENCIA:

Nunca sujete el protector inferior de la hoja de modo que quede en la posición elevada. Si se deja la hoja expuesta se pueden causar lesiones graves.

## JUEGO DE BOQUILLA PARA EL POLVO OPCIONAL

Veá la figura 23, página 19.

El juego de boquilla, artículo No. 200673002, calza sobre la guía para el polvo que está ubicada en el protector superior de la hoja. La boquilla se instala en el adaptador.

**NOTA:** Si usa la boquilla, usted siempre debe conectarla a una manguera de aspiradora estándar.

### Instalación del juego de boquilla para el polvo:

- Desconecte la sierra.
- Levante el protector inferior de la hoja.
- Dirija el adaptador de modo que calce en la abertura de la guía para el polvo en el protector superior de la hoja.
- Asegure el adaptador con el tornillo provisto.
- Cuando use una aspiradora, alinee el agujero situado en la boquilla con el reborde del adaptador y coloque a presión en su lugar.

# AJUSTES

## ADVERTENCIA:

Antes de efectuar cualquier ajuste, asegúrese de que la herramienta esté desconectada del suministro de corriente y de que el interruptor esté en la posición de APAGADO. La inobservancia de esta advertencia podría causar lesiones corporales serias.

## ADVERTENCIA:

Nunca sujete el protector inferior de la hoja de modo que quede en la posición elevada. Si se deja la hoja expuesta se pueden causar lesiones graves.

### TOPE DE BISEL DE 0°

Veá la figura 24, página 19.

Su sierra tiene un tope de bisel de 0° que ha sido ajustado en la fábrica para asegurar un ángulo de 0° de la hoja de su sierra cuando se hacen cortes de 0°.

### Verificación del tope de bisel de 0°:

- Desconecte la sierra.
- Coloque la sierra al revés en un banco de trabajo.
- Usando una escuadra de combinación, revise la perpendicularidad de la hoja de la sierra en relación con la base de la sierra.

### Ajuste del tope de bisel de 0°:

- Desconecte la sierra.
- Afloje la perilla de ajuste de bisel.
- Afloje la tuerca hexagonal que sujeta el tornillo de ajuste.
- Gire tornillo de ajuste y ajuste la base hasta que quede perpendicular a la hoja de la sierra.
- Apriete firmemente la tuerca hexagonal y la perilla de ajuste de bisel.

# AJUSTES

## ADVERTENCIA:

Si se intenta hacer un corte en bisel sin que la perilla de ajuste de bisel esté firmemente apretada se puede producir una lesión grave.

## VERIFICACIÓN/AJUSTE DE LA ALINEACIÓN DEL LÁSER

Veá la figura 25 y 26, página 19.

## PELIGRO:

Radiación láser. Evite el contacto directo entre los ojos y la fuente de luz.

## ADVERTENCIA:

El utilizar controles o ajustes, o la ejecución de procedimientos que no sean los especificados en el presente documento puede derivar en exposición a radiación peligrosa.

- Desenchufe la sierra.
- RETIRE la hoja antes de ajustar el láser.
- Fije un filo recto al lateral recto de una pieza de trabajo.
- Escuadre el canto largo de la base de la sierra contra el filo recto.
- Utilice un lápiz para marcar la pieza de trabajo por delante de la muesca que se encuentra más a la derecha de la base de la sierra.
- Deslice la sierra a lo largo del filo recto y marque la muesca a 254 - 305 mm (10 - 12 pulg.) de la primera marca. Trace una línea guía para conectar las dos marcas.
- Vuelva a deslizar la sierra hasta la posición inicial para poder ver toda la línea guía.
- Conecte la sierra a una fuente de alimentación.
- Presione y mantenga presionado el interruptor hasta que se encienda el láser.

**NOTA:** El láser se activará sin el motor de la sierra en funcionamiento.

- El haz de luz láser debería alinearse con la muesca de la base de la sierra y la línea guía que trazó sobre la pieza de trabajo.

- Si el haz de luz láser queda desalineado, hacia la izquierda o la derecha de la marca, utilice un destornillador de cabeza plana de 3,2 mm (1/8 pulg.) para girar el tornillo de ajuste del láser hasta que el haz se alinee con la línea de guía.
- Gire lentamente el tornillo en sentido contrario a las agujas del reloj para ajustar el láser hacia la izquierda, o en el sentido de las agujas del reloj para ajustarlo hacia la derecha.

## AJUSTE DE LA PALANCA DE FIJACIÓN DE LA PROFUNDIDAD

Veá la figura 27, página 19.

Es posible que, con el tiempo, la palanca de bloqueo de profundidad se desplace de su ajuste original. Si la palanca hace contacto en forma prematura con cualquier parte de la sierra al ajustarla y aflojarla, ajuste la palanca mediante los siguientes pasos:

- Desenchufe la sierra.
- Tire de la palanca de bloqueo de profundidad para liberarla.
- Tire de la base de la sierra hasta la posición de mínima profundidad de corte; luego presione la palanca de bloqueo de profundidad para asegurarla.
- Inserte un destornillador plano en el espacio entre la contratuerca y el anillo en E. Quite el anillo en E.
- Observe la posición de la palanca en la tuerca. Deslice la palanca de bloqueo de profundidad para quitarla de la contratuerca.
- La contratuerca tiene seis lados planos. Rote la palanca de bloqueo de profundidad un "lado plano" en sentido horario alrededor de la tuerca. Luego, vuelva a colocarla en su lugar.
- Presione el anillo en E para volver a colocarlo en la ranura de la contratuerca hasta que se encastre en su lugar. Tenga cuidado para evitar que el anillo en E no se salga de la contratuerca.
- Afloje la palanca de bloqueo de profundidad, vuelva la base a la posición de profundidad de corte deseada y bloquee el ajuste de profundidad; para hacerlo, presione la palanca de bloqueo de profundidad hacia abajo. La base debería quedar firmemente sujeta cuando está bloqueada y moverse libremente cuando no lo está.

# MANTENIMIENTO

## **ADVERTENCIA:**

Al dar servicio a la unidad, sólo utilice piezas de repuesto idénticas. El empleo de piezas diferentes puede presentar un peligro o causar daños al producto.

## **ADVERTENCIA:**

Siempre póngase protección ocular con protección lateral con la marca de cumplimiento de la norma ANSI Z87.1. Si no cumple esta advertencia, los objetos que salen despedidos pueden producirle lesiones serias en los ojos.

## MANTENIMIENTO GENERAL

Evite el empleo de solventes al limpiar piezas de plástico. La mayoría de los plásticos son susceptibles a diferentes tipos de solventes comerciales y pueden resultar dañados. Utilice paños limpios para eliminar la suciedad, el polvo, el aceite, la grasa, etc.

## **ADVERTENCIA:**

No permita en ningún momento que fluidos para frenos, gasolina, productos a base de petróleo, aceites penetrantes, etc., lleguen a tocar las piezas de plástico. Las sustancias químicas pueden dañar, debilitar o destruir el plástico, lo cual a su vez puede producir lesiones corporales serias.

Las herramientas eléctricas que se utilizan en materiales de fibra de vidrio, paneles de yeso para paredes, compuestos de resina o yeso, están sujetas a desgaste acelerado y posible fallo prematuro porque las partículas y limaduras de fibra de vidrio son altamente abrasivas para los cojinetes, escobillas, conmutadores, etc. Por consiguiente, no recomendamos el uso de esta herramienta durante períodos prolongados de trabajo en estos tipos de materiales. Sin embargo, si usted trabaja con cualquiera de estos materiales, es sumamente importante limpiar la herramienta con aire comprimido.

## LUBRICACIÓN

Todos los cojinetes de este producto están lubricados con suficiente cantidad de aceite de alta calidad para toda la vida útil de la unidad en condiciones normales de funcionamiento. Por lo tanto, no se necesita lubricación adicional.

## REEMPLAZO DEL CORDÓN DE CORRIENTE

El fabricante o su agente deben cambiar el cordón de corriente, en caso de que sea necesario, para evitar peligros.

# ACCESORIOS

Para pedir estos accesorios, llame al 1-800-525-2579.

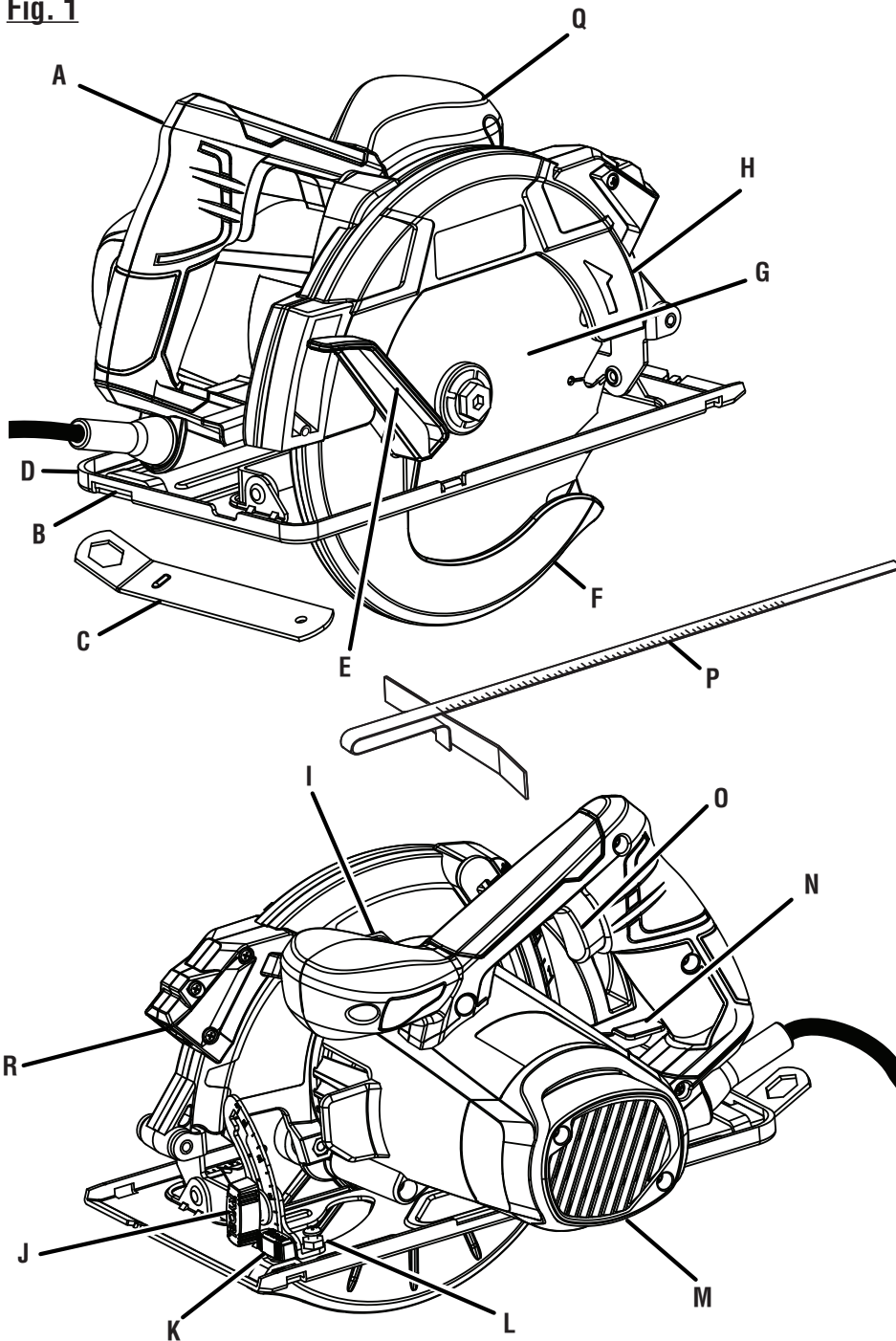
- Juego de boquilla para el polvo ..... 200673002

## **ADVERTENCIA:**

Arriba se señalan los aditamentos y accesorios disponibles para usarse con esta herramienta. No utilice ningún aditamento o accesorio no recomendado por el fabricante de esta herramienta. El empleo de aditamentos o accesorios no recomendados podría causar lesiones serias.

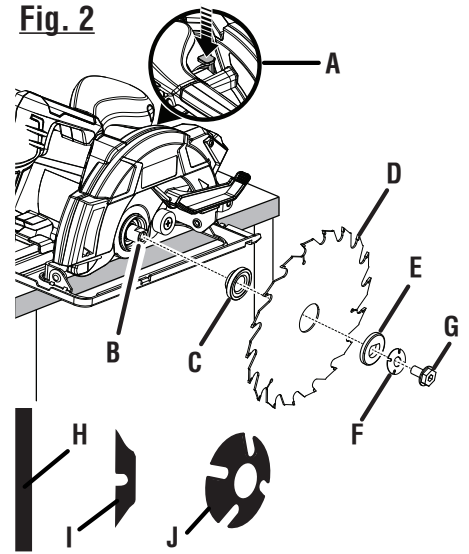




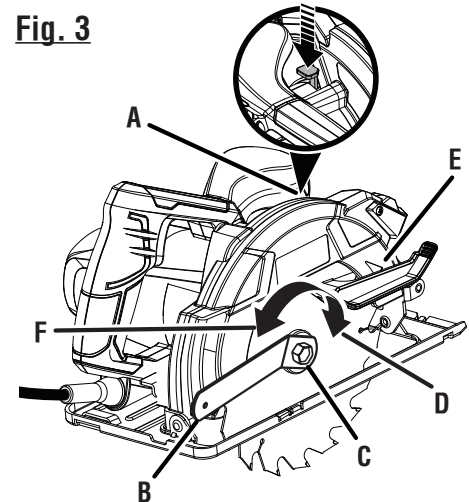
**Fig. 1**

- A - Handle (poignée, mango)
- B - Blade wrench storage area (logement de clé de lame, lugar de guardar la llave de la hoja)
- C - Blade wrench (clé de lame, llave de la hoja)
- D - Base (base, base)
- E - Lower blade guard handle (poignée de protection de lame inférieure, manija de la protección inferior de la hoja)
- F - Lower blade guard (protection de lame inférieure, protección inferior de la hoja)
- G - Blade (lame, hoja)
- H - Upper blade guard (protection de lame supérieure, protección superior de la hoja)
- I - Spindle lock button (bouton de verrouillage de broche, botón del seguro del husillo)

- J - Bevel lock knob (bouton de verrouillage de biseau, perilla de fijación de la mesa)
- K - Edge guide lock knob (bouton de guide de chant, perilla de la guía de bordes)
- L - Bevel stop adjusting screw (vis d'arrêt de réglage de biseau, ajuste del tornillo de ajuste de bisel)
- M - Motor housing (boîtier du moteur, alojamiento del motor)
- N - Depth lock lever (levier de réglage de la profondeur, palanca de ajuste de profundidad)
- O - Switch (commutateur, interruptor)
- P - Edge guide (guide de chant, guía de bordes)
- Q - Front handle (poignée avant, mango delantero)
- R - Laser guide (guide laser, guía láser)

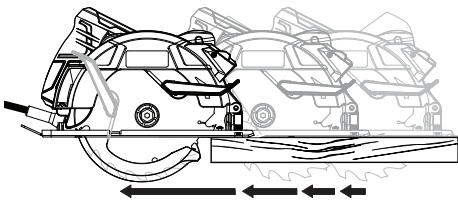
**Fig. 2**

- A - Spindle lock button (bouton de verrouillage de broche, botón del seguro del husillo)
- B - Spindle (broche, husillo)
- C - Inner flange bushing (douille à collerette intérieure, buje de brida interior)
- D - Blade (lame, hoja)
- E - Outer blade washer ("D" washer) [rondelle extérieure de la lame (en « D »), rondelle extérieure de la lame (arandela en "D")]
- F - Spring washer (rondelle ressort, arandela de resorte)
- G - Blade screw (vis de lame, perno de la hoja)
- H - Outer blade washer ("D" washer) [rondelle de lame extérieure (en « D »), arandela de hoja exterior (arandela en "D")]
- I - Cupped side of spring washer (côté en cuvette de la rondelle ressort, lado "acopado" de la arandela de resorte)
- J - Outside of spring washer (extérieur de la rondelle ressort, lado exterior de la arandela de resorte)

**Fig. 3**

- A - Spindle lock button (bouton de verrouillage de broche, botón del seguro del husillo)
- B - Blade wrench (clé de lame, llave de la hoja)
- C - Blade screw (vis de lame, perno de la hoja)
- D - To tighten (pour serrage, para apretar)
- E - Arrow on upper guard (flèche sur la garde supérieure, flecha en protector superior)
- F - To loosen (pour desserrer, para aflojar)

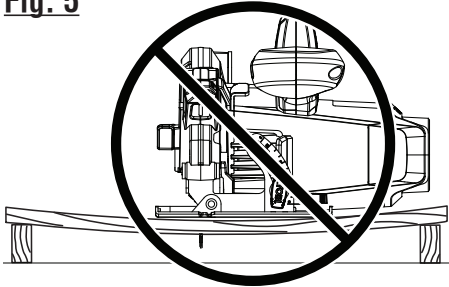
**Fig. 4**



**KICKBACK - BLADE SET TOO DEEP  
REBOND - PROFONDEUR DE COUPE  
EXCESSIVE**

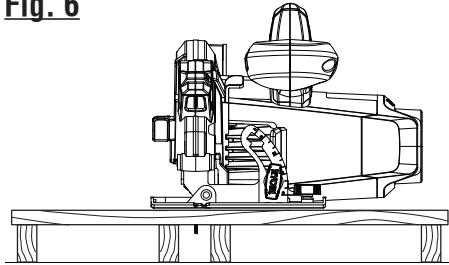
**CONTRAGOLPE - LA HOJA SE AJUSTÓ  
MUY PROFUNDA**

**Fig. 5**



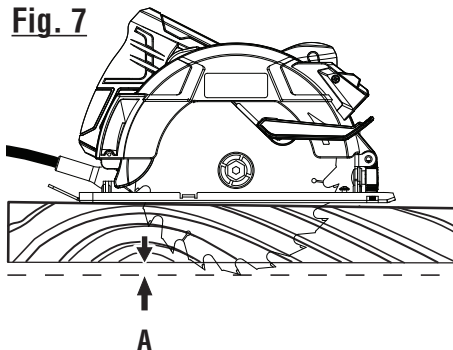
**INCORRECT SUPPORT  
SUPPORT INCORRECT  
SOPORTE INCORRECTO**

**Fig. 6**



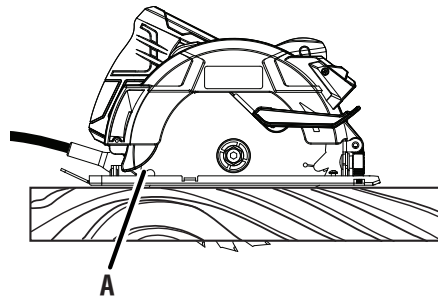
**CORRECT SUPPORT  
SUPPORT CORRECT  
SOPORTE CORRECTO**

**Fig. 7**



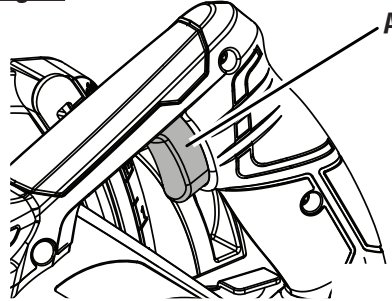
A - Correct blade depth setting = less than a full tooth of the blade teeth should be visible below the workpiece. (réglage de profondeur de coupe correct = sous la pièce à travailler, on devrait pouvoir distinguer moins d'une dent entière parmi celles de la lame., ajuste correcto de la profundidad de la hoja less than a full tooth of the blade teeth should be visible below the workpiece.)

**Fig. 8**



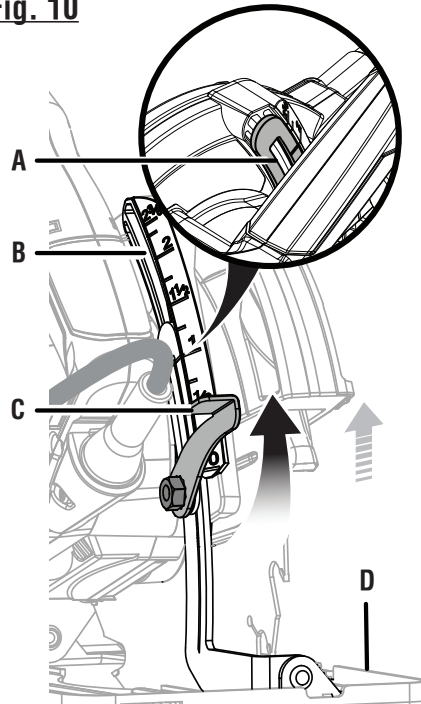
A - Lower blade guard is in up position when making a cut (pendant la coupe, la garde inférieure est relevée, la protección inferior de la hoja está en la posición elevada al efectuarse cortes)

**Fig. 9**



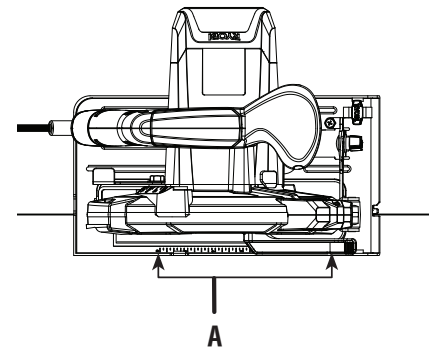
A - Switch (commutateur, interruptor)

**Fig. 10**



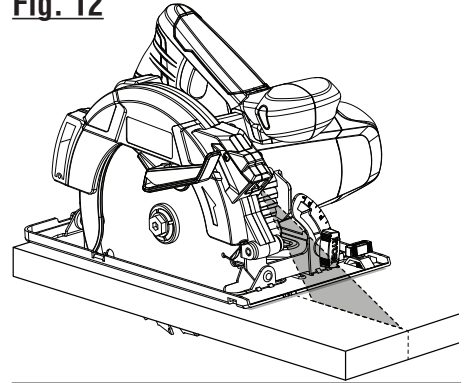
A - Index point (point d'indexation, punto de índice)  
B - Depth of cut scale (échelle de profondeur de coupe, escala de profundidad de corte)  
C - Depth lock lever (levier de verrouillage de la profondeur, palanca de bloqueo de profundidad)  
D - Base (base, base)

**Fig. 11**

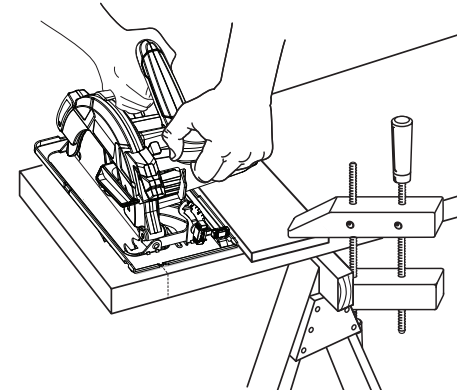


A - Length of cut scale (échelle de longueur de coupe, escala de longitud de corte)

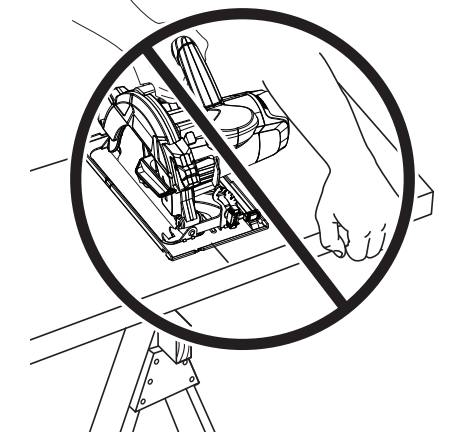
**Fig. 12**



**Fig. 13**

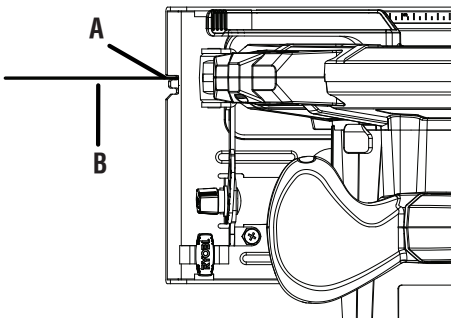


**Fig. 14**



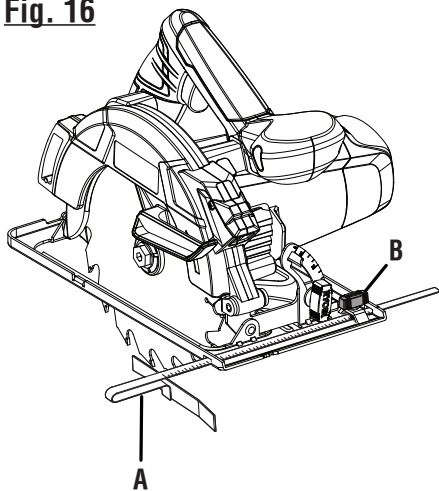
**Fig. 15**

**TOP VIEW OF SAW / VUE DU DESSUS DE LA SCIE / VISTA SUPERIOR DE LA SIERRA**



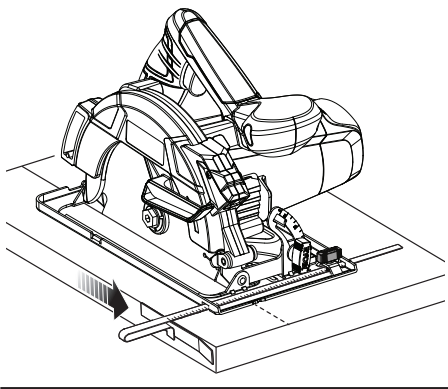
- A - Blade guide notch (encoche de guide de lame, muesca guía de la hoja)
- B - Guideline (ligne de coupe, línea guía)

**Fig. 16**

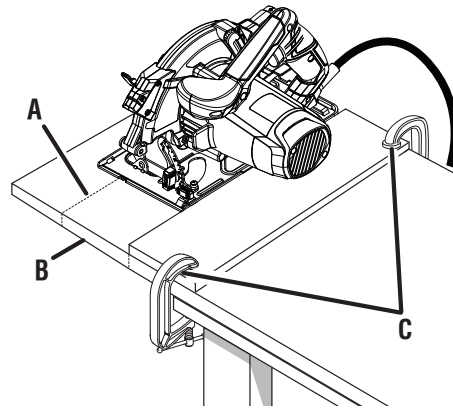


- A - Edge guide (guide de chant, guía de bordes)
- B - Edge guide lock knob (bouton de guide de chant, perilla de la guía de bordes)

**Fig. 17**

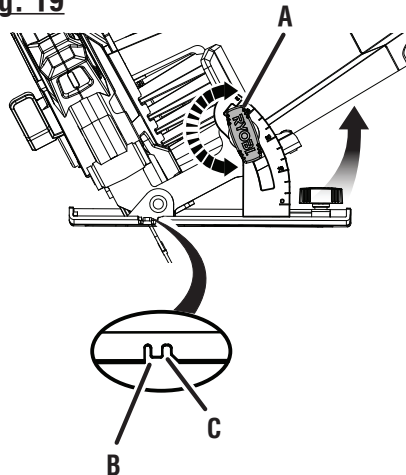


**Fig. 18**



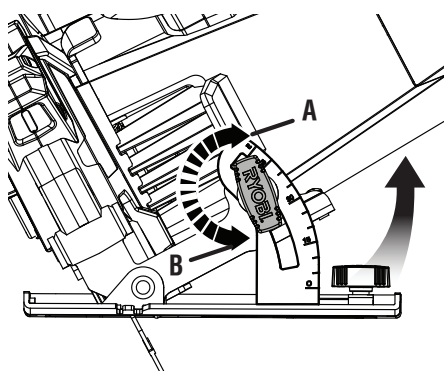
- A - Straight edge (guide, regla)
- B - Workpiece (pièce, pieza de trabajo)
- C - C-clamp (serre-joint, prensa de mano)

**Fig. 19**



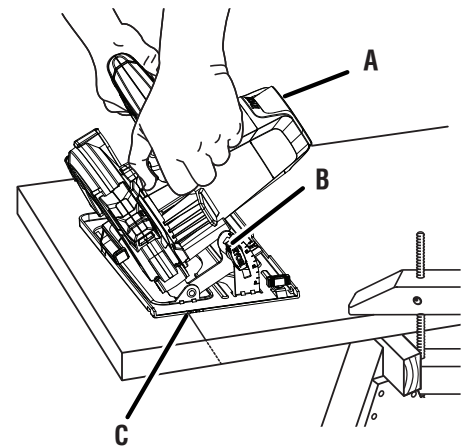
- A - Bevel lock knob (bouton de verrouillage de biseau, perilla de fijación de la mesa)
- B - 0° blade guide notch (encoche guide de lame de 0°, muesca guía de la hoja de 0°)
- C - 45° blade guide notch (encoche guide de lame de 45°, muesca guía de la hoja de 45°)

**Fig. 20**



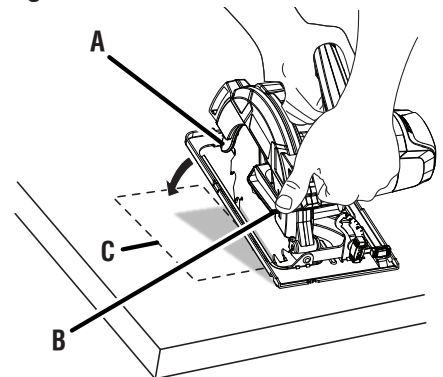
- A - Tighten (serrer, apretar)
- B - Loosen (desserrer, aflojar)

**Fig. 21**



- A - Motor housing (boîtier du moteur, alojamiento del motor)
- B - Bevel scale (échelle d'angle d'inclinaison, escala de ángulo de bisel)
- C - Blade guide notch (encoche de guide de lame, muesca guía de la hoja)

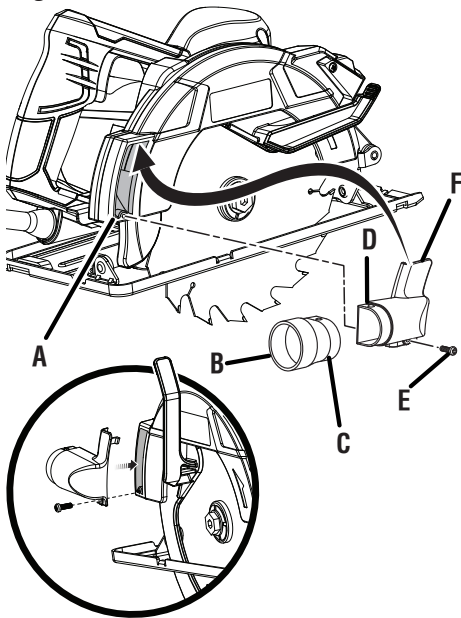
**Fig. 22**



- A - Lower blade guard (protection de lame inférieure, protección inferior de la hoja)
- B - Lower blade guard handle (poignée de protection de lame inférieure, manija de la protección inferior de la hoja)
- C - Pocket cut (évidement, corte en cavidad)

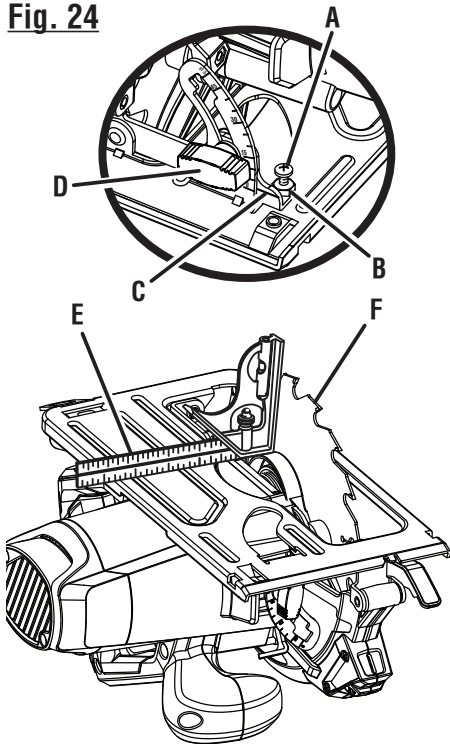


**Fig. 23**



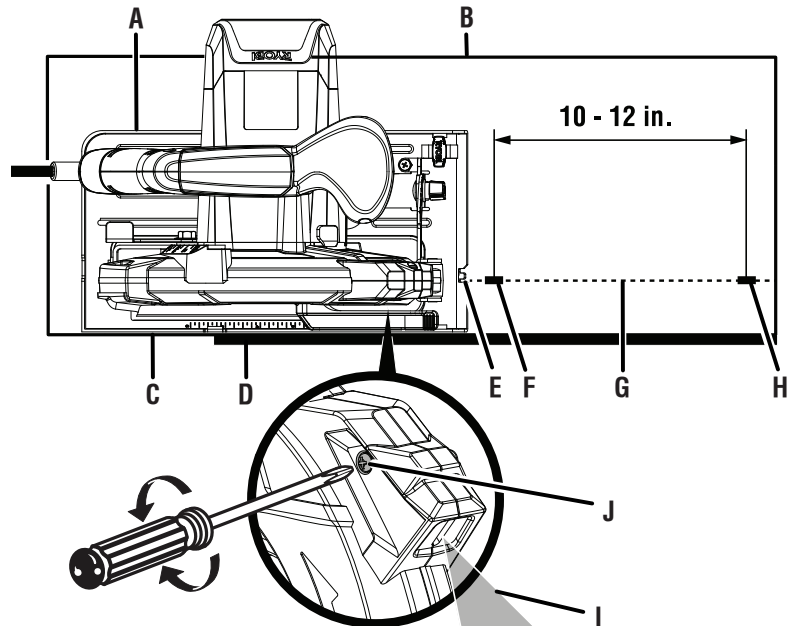
- A - Dust chute (éjecteur de sciure, vertedero de aserrín)
- B - Nozzle (buse, boquilla)
- C - Hole (trou, agujero)
- D - Raised lip (bord relevé, reborde)
- E - Screw (vis, tornillo)
- F - Adaptor (adaptateur, adaptador)

**Fig. 24**



- A - Adjusting screw (vis de réglage, tornillo de ajuste)
- B - Hex nut (écrou six pans, tuerca hexagonal)
- C - 0° bevel stop (butée 0° de coupe en biseau, tope de bisel a 0°)
- D - Bevel lock knob (bouton de verrouillage de biseau, perilla de fijación del bisel)
- E - Combination square (équerre combinée, escuadra de combinación)
- F - Blade (lame, hoja)

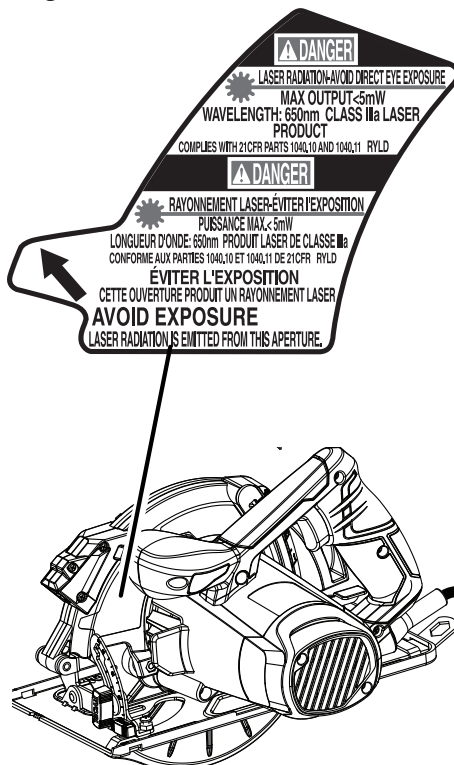
**Fig. 25**



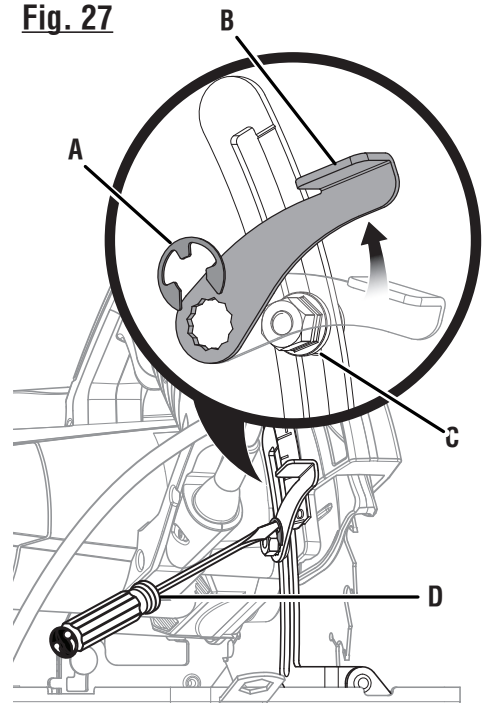
- A - Saw base (base de la scie, base de la sierra)
- B - Workpiece (pièce, pieza de trabajo)
- C - Straight side of workpiece (côté droit de la pièce de travail, lateral recto de la pieza de trabajo)
- D - Straight edge (règle, pieza recta)
- E - Notch (encoche, muesca)
- F - First pencil mark (first pencil mark, first pencil mark)
- G - Guideline (ligne de coupe, línea guía)
- H - Second pencil mark (second pencil mark, second pencil mark)
- I - Laser beam (faisceau laser, rayo guía láser)

J - Turn adjustment screw counterclockwise to adjust beam to the left. Turn clockwise to adjust beam to the right. (Tourner la vis de réglage dans le sens contraire aux aiguilles d'une montre pour aligner le faisceau vers la gauche. Tourner dans le sens des aiguilles d'une montre pour aligner le faisceau vers la droite; Gire el tornillo de ajuste en sentido contrario a las agujas del reloj para ajustar el haz de luz hacia la izquierda. Gírelo en el sentido de las agujas del reloj para ajustar el haz de luz hacia la derecha)

**Fig. 26**



**Fig. 27**



- A - E-ring (anneau en E, anillo en E)
- B - Depth lock lever (levier de verrouillage de la profondeur, palanca de fijación de la profundidad)
- C - Lock nut (écrou de blocage, tuerca de seguridad)
- D - Screwdriver (tournevis, destornillador)



**OPERATOR'S MANUAL / 7-1/4 IN. CIRCULAR SAW W/LASER**  
**MANUEL D'UTILISATION / SCIE CIRCULAIRE DE 184 mm (7-1/4 po)**  
**AVEC LASER**  
**MANUAL DEL OPERADOR / SIERRA CIRCULAR DE 184 mm (7-1/4 pulg.)**  
**CON LÁSER**  
**CSB144LZ**

To request service, purchase replacement parts,  
locate an Authorized Service Center and obtain Customer or Technical Support:

Visit **www.ryobitools.com** or call **1-800-525-2579**

If any parts or accessories are damaged or missing,  
do not return this product to the store. Call **1-800-525-2579** for immediate service.

Please obtain your model and serial number from the product data plate.  
**This product is covered under a 3-year limited Warranty. Proof of purchase is required.**

MODEL NUMBER \_\_\_\_\_ SERIAL NUMBER \_\_\_\_\_

RYOBI is a registered trademark of Ryobi Limited and is used pursuant to a license granted by Ryobi Limited.

Pour faire une demande de réparations ou obtenir des pièces de rechange, trouver un  
Centre de réparations agréé pour obtenir un soutien technique ou le Service à la clientèle :

Visiter **www.ryobitools.com** ou en téléphonant au **1-800-525-2579**

Si des pièces ou accessoires sont manquantes ou endommagées, ne pas retourner  
ce produit au magasin. Appeler immédiatement au **1-800-525-2579** pour obtenir de l'aide.

Inscrire les numéros de modèle et de série inscrits sur la plaque d'identification du produit.  
**Ce produit est couvert par une garantie limitée de trois (3) ans. Une preuve d'achat est exigée.**

NUMÉRO DE MODÈLE \_\_\_\_\_ NUMÉRO DE SÉRIE \_\_\_\_\_

RYOBI est une marque déposée de Ryobi Limited et est utilisée en vertu d'une licence accordée par Ryobi Limited.

Para obtener servicio, comprar piezas de repuesto, localizar un centro de servicio autorizado  
y obtener Servicio o Asistencia Técnica al Consumidor:

Visite **www.ryobitools.com** o llame al **1-800-525-2579**

Si hay alguna pieza ou accesorios dañada o faltante, no devuelva este producto a la tienda.  
Llame al **1-800-525-2579** para servicio técnico inmediato.

Obtenga su modelo y número de serie de la placa de datos del producto.  
**Este producto está cubierto con una garantía limitada de 3 años. Se solicita prueba de la compra.**

NÚMERO DE MODELO \_\_\_\_\_ NÚMERO DE SERIE \_\_\_\_\_

RYOBI es una marca registrada de Ryobi Limited y se utiliza conforme a una licencia otorgada por Ryobi Limited.

**ONE WORLD TECHNOLOGIES, INC.**

1428 Pearman Dairy Road, Anderson, SC 29625 • Phone 1-800-525-2579  
États-Unis, Téléphone 1-800-525-2579 • USA, Teléfono 1-800-525-2579

**www.ryobitools.com**