

# REPAIR SHEET

BRAND

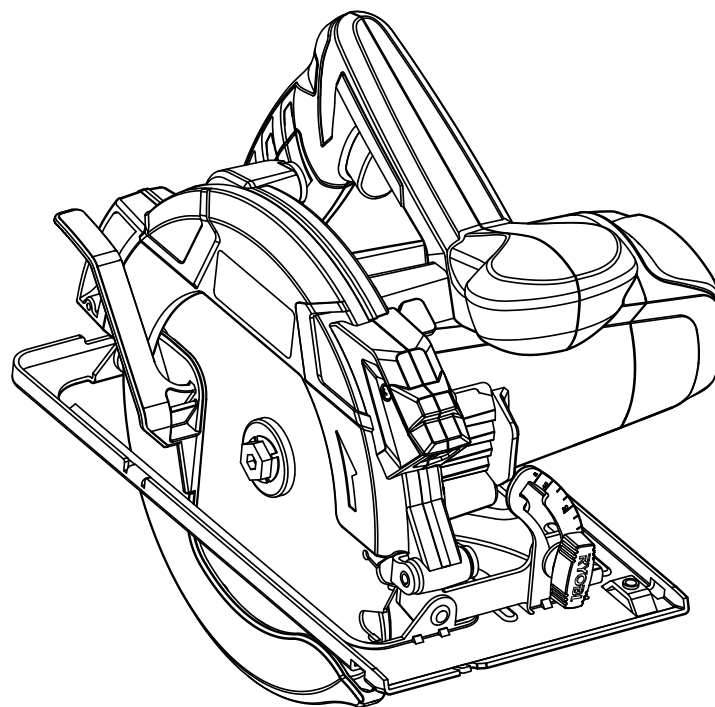
**RYOBI**

DESCRIPTION

**7-1/4 in. Circular Saw with Laser**

MODEL NO.

**CSB135L**

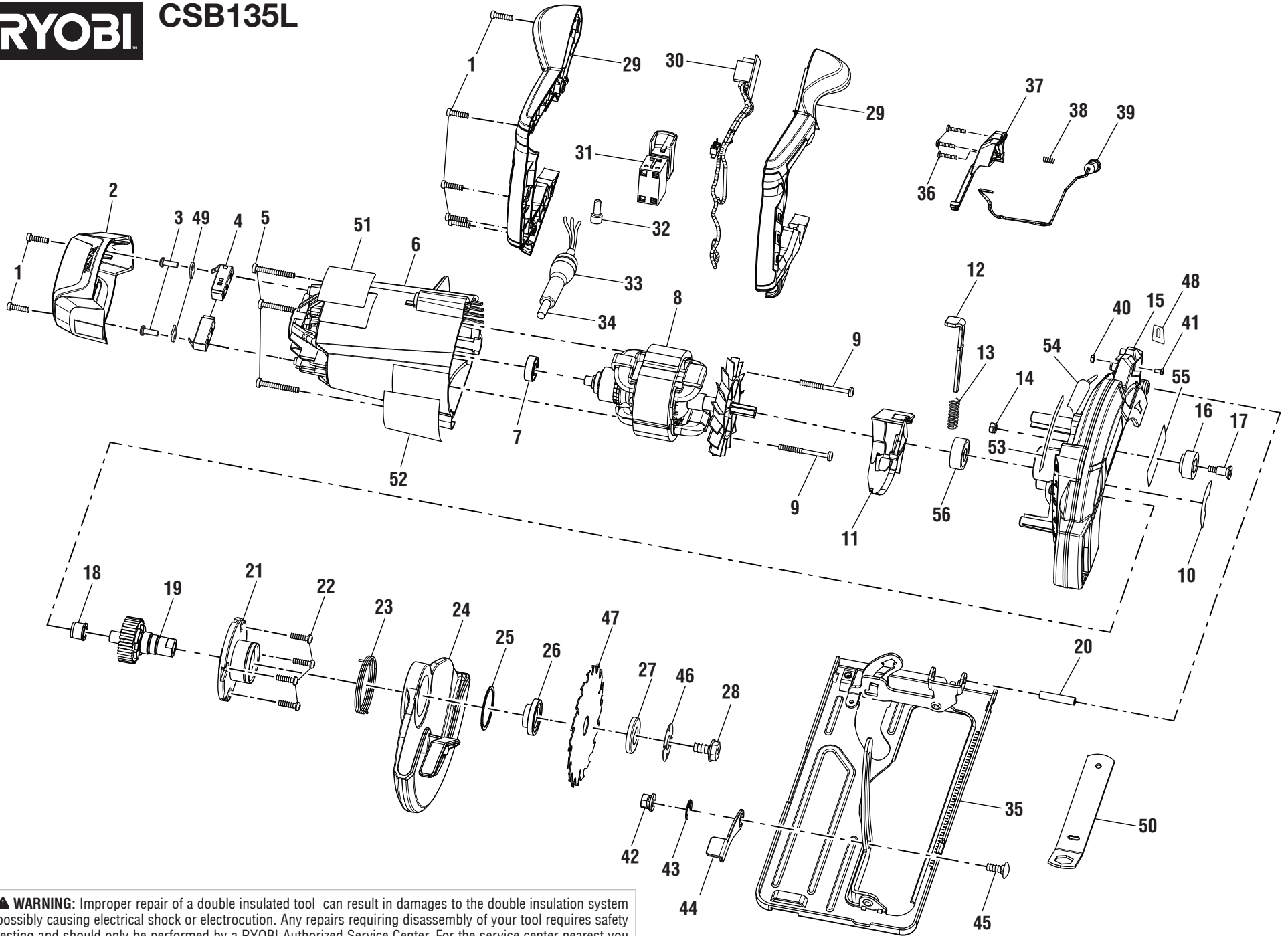


**TTI CONSUMER POWER TOOLS, INC.**

P.O. Box 1288, Anderson, SC 29622 ■ 1-800-525-2579 ■ [www.ryobitools.com](http://www.ryobitools.com)

2-11-22 (Rev:04)

*The model number and manufacturing location will be found on a label attached to the product. Always mention this information in all communications regarding this product and when ordering parts.*



**▲ WARNING:** Improper repair of a double insulated tool can result in damages to the double insulation system possibly causing electrical shock or electrocution. Any repairs requiring disassembly of your tool requires safety testing and should only be performed by a RYOBI Authorized Service Center. For the service center nearest you call 1-800-525-2579.

**CSB135L**

If a key number has multiple part numbers, please order the part that corresponds with the country of origin shown on the product's data label. CN = China VN = Vietnam

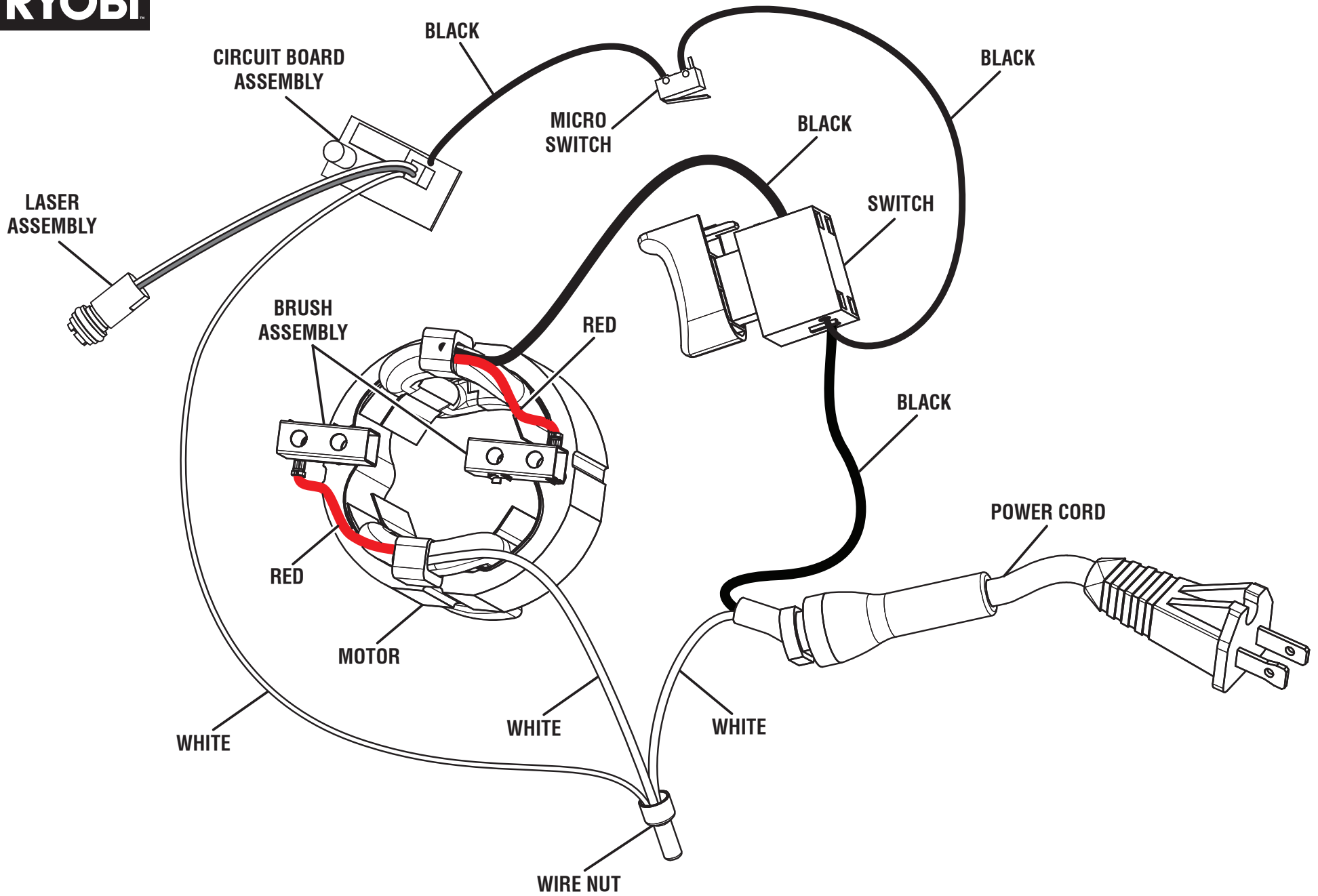
**PARTS LIST**

KEY NO.	PART NO.	DESCRIPTION	QTY.
1	660208052	Screw (M4 x 16 mm, Pan Hd.)	7
2	305535005	End Cover	1
3	660140002	Screw (6-18 x 13 mm)	2
4-CN	290075051	Brush Assembly	2
4-VN	290075050	Brush Assembly	2
5	660259008	Screw (M4.5 x 35 mm)	3
6	528060001	Motor Housing	1
7	681304001	Ball Bearing (608-2RS)	1
8-CN	206198003	Motor Assembly (Inc. Key No. 7)	1
8-VN	206198004	Motor Assembly (Inc. Key No. 7)	1
9	660101002	Screw (4.2 x 2.54 x 50, Type B Pan Hd.)	2
10	941120012	Warning Label	1
11	525084001	Volute	1
12	634292001	Spindle Lock	1
13	693411002	Compression Spring	1
14	670974003	Lock Nut (M5)	1
15	202001006	Upper Blade Guard Assembly (Inc. Key Nos. 10, 18 & 56)	1
16	561984001	Bumper	1
17	660193005	Shoulder Screw (M5 x 20 mm)	1
18	680413005	Bushing	1
19	305403001	Output Shaft and Gear Assembly	1
20	680980003	Roll Pin	1
21	305401001	Lower Blade Guard Support Assembly (Inc. Key No. 19)	1
22	661349001	Screw (M4 x 16 mm, Pan Hd.)	4
23	680672006	Torsion Spring	1
24	524934002	Lower Blade Guard	1
25	693438001	Retaining Ring	1
26	611791001	Inner Flange Bushing	1
27	680775008	Outer Blade Washer	1
28-CN	660988001	Blade Screw (5/16-18 x 9/16 in.)	1
28-VN	660988004	Blade Screw (5/16-18 x 9/16 in.)	1
29	202144002	Handle Assembly	1
30-CN	280226001	Circuit Board w/Micro Switch Assembly	1
30-VN	280226004	Circuit Board w/Micro Switch Assembly	1

KEY NO.	PART NO.	DESCRIPTION	QTY.
31	760476004	Switch	1
32	790021001	Closed End Wire Connector	1
33	551060003	Bend Relief	1
34	730372040	Power Cord	1
35	305380003 or 305380008	Base Assembly	1
36	660206042	Screw (M3.5 x 16 mm, Pan Hd.)	3
37	351101001	Laser Cover	1
38	693240001	Compression Spring	1
39	291129001	Laser Assembly	1
40	513075002	Hex Nut (M3)	1
41	512963002	Nylon Screw (M3 x 6 mm, Special)	1
42	612031001	Depth Lock Nut (1/4-20)	1
43	634295001	E-Ring	1
44	634293001	Depth Lock Lever	1
45	693616001	Carriage Bolt (1/4-20 x 5/8 in., Special)	1
46	680776001	Spring Washer	1
47	681323001	Blade (7-1/4 in., 20 Tooth Carbide Tipped)	1
48	941001058	Laser Label	1
49	630801001	Clamp	2
50	634389001	Blade Wrench	1
51-CN	941121354	Data Label	1
51-VN	941122719	Data Label	1
52	941120008	Warning Label	1
53	941006007	Laser Label (ENG/FR)	1
54	941006008	Laser Label (SP)	1
55	941002019	Logo Label	1
56	681717001	Ball Bearing (6000-2RS)	1
	<b>Not Shown:</b>		
	202218001	Edge Guide Kit (Optional)	
	990000960	Operator's Manual (CN – 961152337) (VN – 961153159)	



CSB135L



WIRING DIAGRAM