

## REPAIR SHEET

BRAND

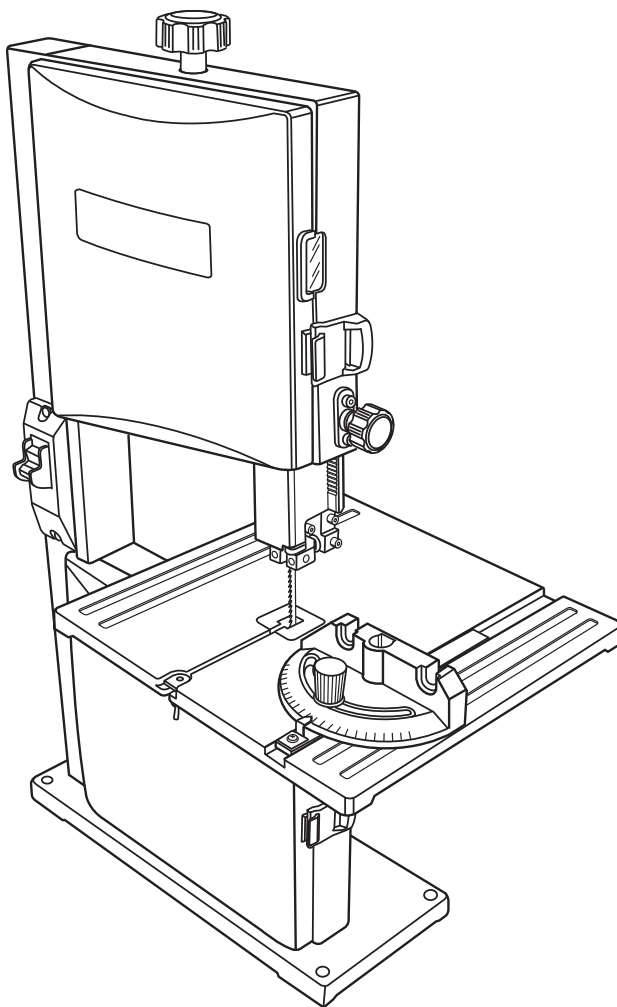
**RYOBI**

MODEL NO.

**BS904G**

DESCRIPTION

**9 in. Band Saw**

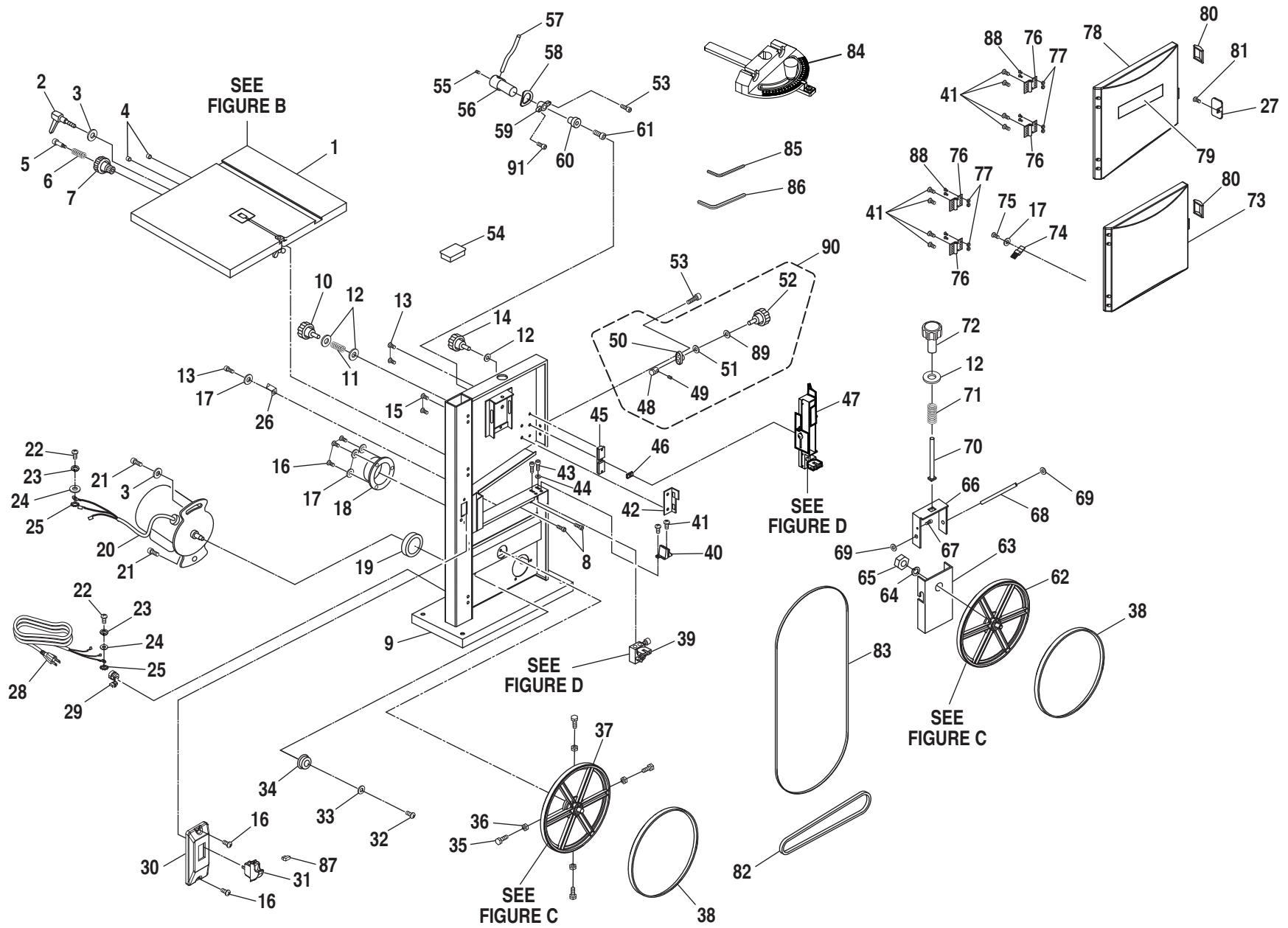


**TTI CONSUMER POWER TOOLS, INC.**

P.O. Box 1288, Anderson, SC 29622 ■ 1-800-525-2579 ■ [www.ryobitools.com](http://www.ryobitools.com)

3-10-22 (Rev:02)

*The model number and manufacturing location will be found on a label attached to the product. Always mention this information in all communications regarding this product and when ordering parts.*



**BS904G****PARTS LIST – FIGURE A**

| KEY NO. | PART NO.     | DESCRIPTION                      | QTY. |
|---------|--------------|----------------------------------|------|
| 1       | 089120406707 | Table Assembly                   | 1    |
| 2       | 089120406014 | Angle Lock Lever                 | 1    |
| 3       | 089120406015 | Washer (ID8.4 x OD24 x 2t)       | 2    |
| 4       | 089120406018 | Pin                              | 2    |
| 5       | 089120406019 | Shoulder Bolt                    | 1    |
| 6       | 089120406020 | Compression Spring               | 1    |
| 7       | 089079005003 | Handle                           | 1    |
| 8       | 089120406016 | Screw (M6 x 14 mm, Hex Soc. Hd.) | 2    |
| 9       | 089120406081 | Frame                            | 1    |
| 10      | 089079005004 | Bevel Lock Knob                  | 1    |
| 11      | 089120406033 | Compression Spring               | 1    |
| 12      | 089120406034 | Washer (M8)                      | 4    |
| 13      | 089120406035 | Screw (M5 x 12 mm, Pan Hd.)      | 2    |
| 14      | 089079005005 | Blade Guard Lock Knob            | 1    |
| 15      | 089120406058 | Screw (M5 x 8 mm, Pan Hd.)       | 2    |
| 16      | 089120406078 | Screw (M5 x 10 mm, Pan Hd.)      | 5    |
| 17      | 089120406048 | Washer (M5)                      | 5    |
| 18      | 089120406080 | Dust Exhaust Port                | 1    |
| 19      | 089120406087 | Filter                           | 1    |
| 20      | 089120406702 | Motor                            | 1    |
| 21      | 089120406086 | Screw (M8 x 20 mm, Hex Soc. Hd.) | 2    |
| 22      | 089120406082 | Screw (M5 x 7 mm, Pan Hd.)       | 2    |
| 23      | 089120406084 | Spring Washer (M5.3)             | 2    |
| 24      | 089120406085 | Washer (M5)                      | 2    |
| 25      | 089120406083 | External Tooth Washer            | 2    |
| 26      | 089120406128 | Indicator                        | 1    |
| 27      | 089120406110 | Tracking View Window             | 1    |
| 28      | 089120406102 | Power Cord                       | 1    |

| KEY NO. | PART NO.     | DESCRIPTION                      | QTY. |
|---------|--------------|----------------------------------|------|
| 29      | 089120406103 | Cord Clamp                       | 2    |
| 30      | 089120406104 | Switch Box                       | 1    |
| 31      | 089120406711 | Switch (Inc. Key No. 87)         | 1    |
| 32      | 089120406101 | Screw (M5 x 10 mm)               | 1    |
| 33      | 089120406100 | Washer (ID5.3 x OD15 x 1.2t)     | 1    |
| 34      | 089120406099 | Pulley                           | 1    |
| 35      | 089120406088 | Screw (M6 x 16 mm, Hex Hd.)      | 4    |
| 36      | 089120406089 | Hex Nut (M6)                     | 4    |
| 37      | 089120406706 | Lower Wheel Assembly             | 1    |
| 38      | 089120406067 | Tire                             | 2    |
| 39      | 089120406704 | Lower Blade Guide Assembly       | 1    |
| 40      | 089120406130 | Blade Safe Cover                 | 1    |
| 41      | 089120406117 | Screw (M4 x 8 mm)                | 10   |
| 42      | 089120406129 | Restrainer                       | 1    |
| 43      | 089120406055 | Screw (M6 x 8 mm, Hex Soc. Hd.)  | 2    |
| 44      | 089120406002 | Washer (ID6.3 x OD16 x 1.5t)     | 1    |
| 45      | 089120406038 | Mounting Bracket                 | 1    |
| 46      | 089120406039 | Square Nut                       | 1    |
| 47      | 089120406703 | Upper Blade Guide Assembly       | 1    |
| 48      | 089120406118 | Gear                             | 1    |
| 49      | 089120406119 | Set Screw (M4 x 4 mm)            | 1    |
| 50      | 089120406120 | Guide Height Adjustment Bracket  | 1    |
| 51      | 089120406121 | Wavy Washer (M6)                 | 1    |
| 52      | 089079005010 | Blade Guard Adjust Knob          | 1    |
| 53      | 089120406031 | Screw (M5 x 10 mm, Hex Soc. Hd.) | 4    |
| 54      | 089120406123 | Square Cover                     | 1    |
| 55      | 089120406024 | Set Screw (M5 x 6 mm)            | 1    |
| 56      | 089120406025 | Eccentric Shaft                  | 1    |

**WARNING: Improper repair of a double insulated tool can result in damage to the double insulation system possibly causing electrical shock or electrocution. Any repairs requiring disassembly of your tool requires safety testing and should only be performed by a RYOBI Authorized Service Center. For the service center nearest you call 1-800-525-2579.**

**BS904G****PARTS LIST — FIGURE A (cont.)**

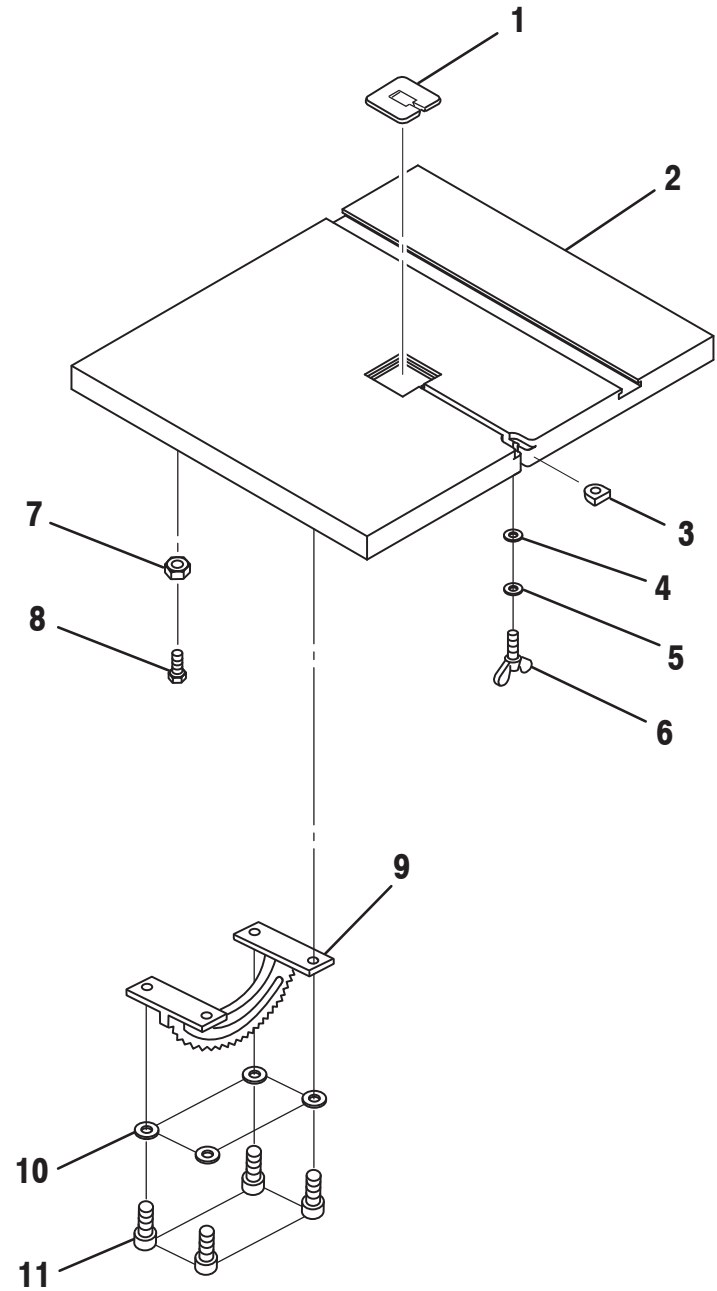
| KEY NO. | PART NO.     | DESCRIPTION                      | QTY. |
|---------|--------------|----------------------------------|------|
| 57      | 089120406030 | Blade Tensioner Lever            | 1    |
| 58      | 089120406026 | Wave Washer (ID16 x OD21 x 0.3t) | 1    |
| 59      | 089120406027 | Tension Lever Mount              | 1    |
| 60      | 089120406028 | Eccentric                        | 1    |
| 61      | 089120406029 | Screw (M6 x 16 mm, Hex Soc. Hd.) | 1    |
| 62      | 089120406705 | Upper Wheel Assembly             | 1    |
| 63      | 089120406062 | Bracket                          | 1    |
| 64      | 089120406061 | Spring Washer (M10)              | 1    |
| 65      | 089120406060 | Hex Nut (M10)                    | 1    |
| 66      | 089120406072 | Bracket                          | 1    |
| 67      | 089120406073 | Screw (M5 x 8 mm, Hex Soc. Hd.)  | 1    |
| 68      | 089120406070 | Pin (8 x 90)                     | 1    |
| 69      | 089120406071 | Check Ring                       | 2    |
| 70      | 089120406074 | Bolt (M8 x 80 mm, Special)       | 1    |
| 71      | 089120406075 | Compression Spring               | 1    |
| 72      | 089079005006 | Tension Adjust Knob              | 1    |
| 73      | 089079005009 | Lower Frame Cover                | 1    |
| 74      | 089120406112 | Blade Brush                      | 1    |
| 75      | 089120406111 | Screw (M4.8 x 10 mm)             | 1    |
| 76      | 089120406115 | Hinge                            | 4    |
| 77      | 089120406116 | Hex Nut (M4)                     | 8    |
| 78      | 089079005007 | Upper Frame Cover                | 1    |

| KEY NO. | PART NO.          | DESCRIPTION   | QTY. |
|---------|-------------------|---|------|
| 79      | 089079005902      | Logo Label  | 1    |
| 80      | 089079005008      | Door Lock   | 2    |
| 81      | 089120406109      | Screw (M4.2 x 6 mm)                                       | 1    |
| 82      | 089120406096      | Belt (130 x 10)   | 1    |
| 83      | 089120406124      | Blade (62 in. x 6 mm x 0.3t)                              | 1    |
| 84      | 089120406701      | Miter Gauge Assembly                                      | 1    |
| 85      | 089120406131      | Hex Wrench (M2)   | 1    |
| 86      | 089120406132      | Hex Wrench (M4)   | 1    |
| 87      | 089120406106      | Switch Key  | 1    |
| 88      | 089120406134      | Screw (M4 x 10 mm)  | 8    |
| 89      | 089120406133      | Washer (ID6 x OD12 x 0.5t)                                | 1    |
| 90      | 089079005701      | Guide Height Knob Assembly (Inc. Key Nos. 48-52, 54 & 59) | 1    |
| 91      | 089079005016      | Screw (M5 x 21 mm)  | 1    |
|         | <b>Not Shown:</b> |   |      |
|         | 089120406901      | Warning Label   | 1    |
|         | 089120406903      | No Hands Label  | 1    |
|         | 089079005901      | Data Label  | 1    |
|         | 089120406905      | Blade Adjust Label  | 1    |
|         | 089120406906      | Blade Order Label   | 1    |
|         | 089120406907      | Height Lock Label   | 1    |
|         | 990000198         | Operator's Manual   |      |

**WARNING: Improper repair of a double insulated tool can result in damage to the double insulation system possibly causing electrical shock or electrocution. Any repairs requiring disassembly of your tool requires safety testing and should only be performed by a RYOBI Authorized Service Center. For the service center nearest you call 1-800-525-2579.**

**PARTS LIST – FIGURE B**

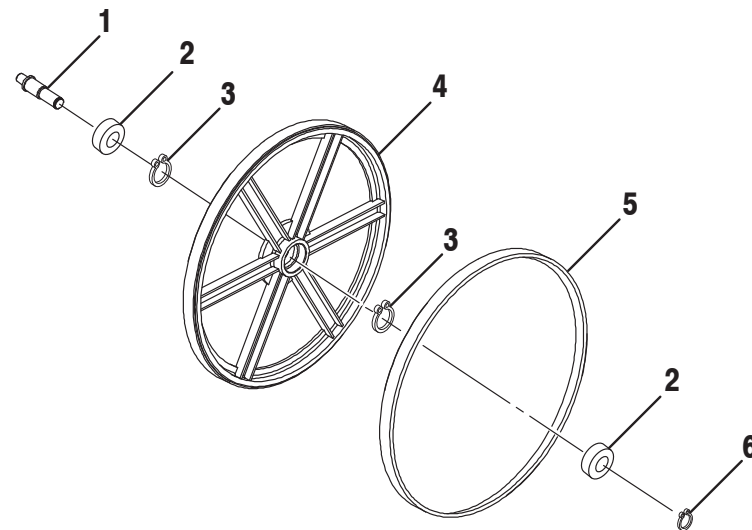
| KEY NO. | PART NO.     | DESCRIPTION                      | QTY. |
|---------|--------------|----------------------------------|------|
| 1       | 089079005002 | Table Insert                     | 1    |
| 2       | 089120406009 | Table                            | 1    |
| 3       | 089120406010 | D-Nut                            | 1    |
| 4       | 089120406012 | Washer (M6)                      | 1    |
| 5       | 089120406011 | Spring Washer (M6)               | 1    |
| 6       | 089120406013 | Wing Screw (M6)                  | 1    |
| 7       | 089120406089 | Hex Nut (M6)                     | 1    |
| 8       | 089120406125 | Screw (M6 x 23 mm, Hex Hd.)      | 1    |
| 9       | 089120406017 | Saw Table Bracket (Trunnion)     | 1    |
| 10      | 089120406022 | Spring Washer (M8)               | 4    |
| 11      | 089120406023 | Screw (M8 x 14 mm, Hex Soc. Hd.) | 4    |



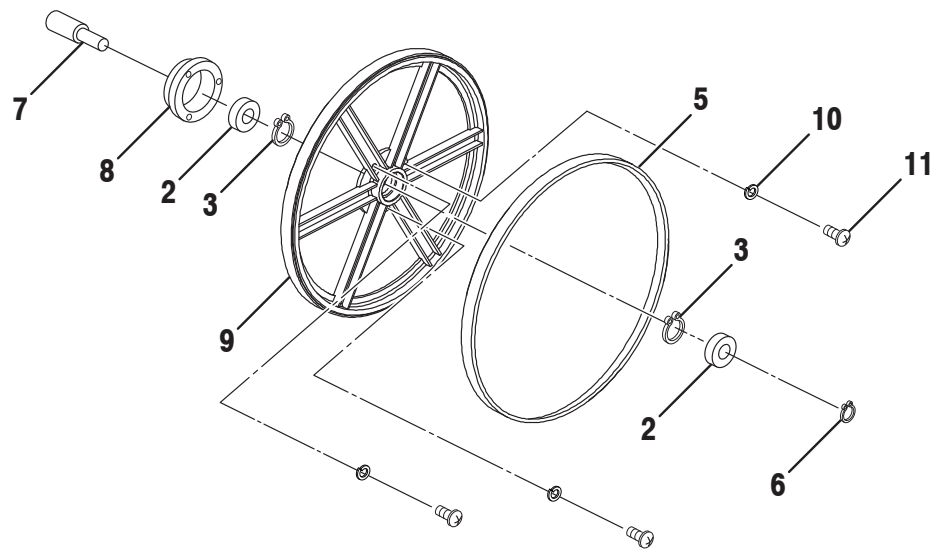
**PARTS LIST — FIGURE C**

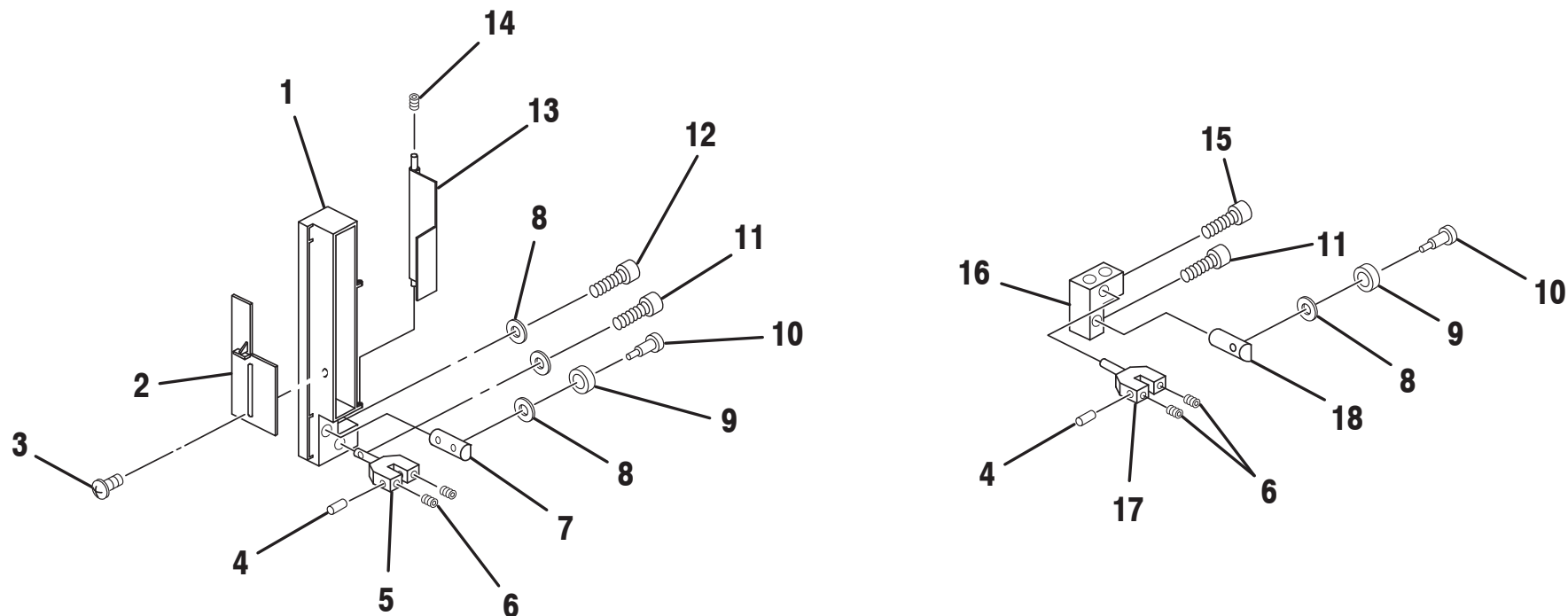
| KEY NO. | PART NO.     | DESCRIPTION             | QTY. |
|---------|--------------|-------------------------|------|
| 1       | 089120406063 | Shaft                   | 1    |
| 2       | 089120406064 | Ball Bearing (6000-2RZ) | 4    |
| 3       | 089120406065 | Retaining Ring          | 4    |
| 4       | 089120406066 | Blade Wheel (Upper)     | 1    |
| 5       | 089120406067 | Tire                    | 2    |
| 6       | 089120406069 | Retaining Ring          | 2    |
| 7       | 089120406090 | Shaft                   | 1    |
| 8       | 089120406091 | Pulley                  | 1    |
| 9       | 089120406093 | Blade Wheel (Lower)     | 1    |
| 10      | 089120406098 | Spring Washer (M5)      | 3    |
| 11      | 089120406097 | Screw (M5 x 16 mm)      | 3    |

**UPPER WHEEL ASSEMBLY**



**LOWER WHEEL ASSEMBLY**





**PARTS LIST – FIGURE D**

| KEY NO. | PART NO.     | DESCRIPTION                  | QTY. |
|---------|--------------|------------------------------|------|
| 1       | 089120406040 | Guide Bar                    | 1    |
| 2       | 089120406127 | Sliding Blade Guard          | 1    |
| 3       | 089120406126 | Screw (M4 x 10 mm)           | 1    |
| 4       | 089120406054 | Pin (5 x 14)                 | 4    |
| 5       | 089120406052 | Guide Block (Upper)          | 1    |
| 6       | 089120406051 | Screw (M4 x 6 mm)            | 4    |
| 7       | 089120406049 | Thrust Bearing Shaft (Upper) | 1    |
| 8       | 089120406048 | Washer (M5 )                 | 4    |
| 9       | 089120406047 | Ball Bearing (606-2RZ)       | 2    |

| KEY NO. | PART NO.     | DESCRIPTION                      | QTY. |
|---------|--------------|----------------------------------|------|
| 10      | 089120406046 | Screw (Special)                  | 2    |
| 11      | 089120406031 | Screw (M5 x 10 mm, Hex Soc. Hd.) | 2    |
| 12      | 089120406044 | Screw (M5 x 16 mm, Hex Soc. Hd.) | 1    |
| 13      | 089120406042 | Blade Guard Shield               | 1    |
| 14      | 089120406041 | Compression Spring               | 1    |
| 15      | 089120406045 | Screw (M5 x 12 mm, Hex Soc. Hd.) | 1    |
| 16      | 089120406057 | Guide Block (Lower)              | 1    |
| 17      | 089120406053 | Guide Block (Lower)              | 1    |
| 18      | 089120406050 | Thrust Bearing Shaft (Lower)     | 1    |