



OPERATOR'S MANUAL

MANUEL D'UTILISATION MANUAL DEL OPERADOR

6 in. BENCH GRINDER

MEULEUSE D'ÉTABLI DE 152 mm (6 po)

ESMERILADORA DE BANCO DE 152 mm (6 pulg.)

BG612/BG612G

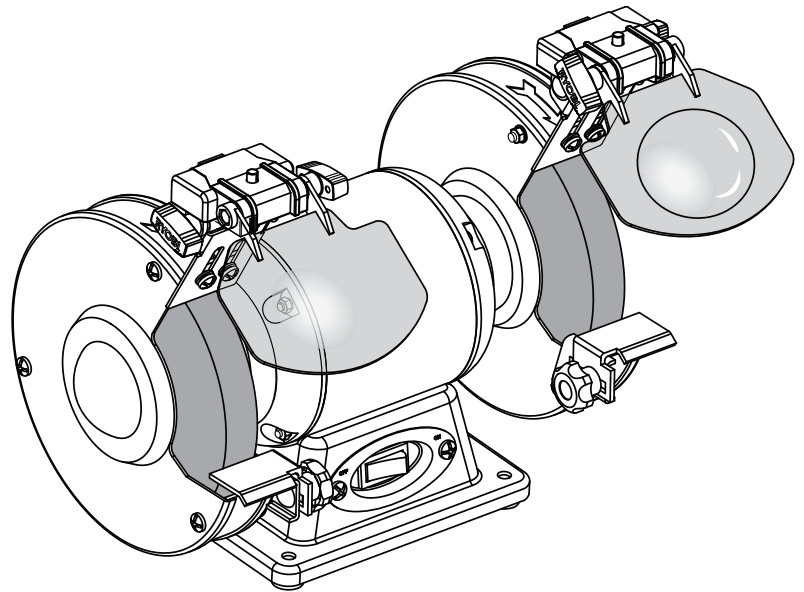


TABLE OF CONTENTS

- General Safety Rules.....2-3
- Specific Safety Rules3-4
- Symbols.....5
- Electrical.....6
- Features.....7
- Assembly.....7-8
- Operation.....8-9
- Maintenance.....10
- Figures (Illustrations)11-13
- Parts Ordering
and ServiceBack page

TABLE DES MATIÈRES

- Règles de sécurité générales2-3
- Règles de sécurité particulières3-4
- Symboles.....5
- Caractéristiques électriques.....6
- Caractéristiques7
- Assemblage.....7-8
- Utilisation.....8-9
- Entretien10
- Figures (illustrations).....11-13
- Commande de pièces
et dépannagePage arrière

ÍNDICE DE CONTENIDO

- Reglas de seguridad generales2-3
- Reglas de seguridad específicas3-4
- Símbolos5
- Aspectos eléctricos.....6
- Características7
- Armado.....7-8
- Funcionamiento.....8-9
- Mantenimiento.....10
- Figuras (ilustraciones).....11-13
- Pedidos de piezas
y servicio Pág. posterior

⚠ WARNING: To reduce the risk of injury, the user must read and understand the operator's manual before using this product.

⚠ AVERTISSEMENT : Pour réduire les risques de blessures, l'utilisateur doit lire et veiller à bien comprendre le manuel d'utilisation avant d'employer ce produit.

⚠ ADVERTENCIA: Para reducir el riesgo de lesiones, el usuario debe leer y comprender el manual del operador antes de usar este producto.

**SAVE THIS MANUAL FOR
FUTURE REFERENCE**

**CONSERVER CE MANUEL
POUR FUTURE RÉFÉRENCE**

**GUARDE ESTE MANUAL
PARA FUTURAS CONSULTAS**

GENERAL SAFETY RULES



WARNING

Read and understand all instructions. Failure to follow all instructions listed below, may result in electric shock, fire and/or serious personal injury.

READ ALL INSTRUCTIONS

- **KNOW YOUR POWER TOOL.** Read the operator's manual carefully. Learn the grinder's applications and limitations as well as the specific potential hazards related to this tool.
- **GUARD AGAINST ELECTRICAL SHOCK BY PREVENTING BODY CONTACT WITH GROUNDED SURFACES.** For example, pipes, radiators, ranges, refrigerator, enclosures.
- **KEEP GUARDS IN PLACE** and in good working order.
- **REMOVE ADJUSTING KEYS AND WRENCHES.** Form the habit of checking to see that keys and adjusting wrenches are removed from tool before turning it on.
- **KEEP WORK AREA CLEAN.** Cluttered areas and benches invite accidents. **DO NOT** leave tools or pieces of wood on the bench grinder while it is in operation.
- **DO NOT USE IN DANGEROUS ENVIRONMENTS.** Do not use power tools in damp or wet locations or expose to rain. Keep the work area well lit.
- **KEEP CHILDREN AND VISITORS AWAY.** All visitors should wear safety glasses and be kept a safe distance from work area. Do not let visitors contact tool or extension cord while operating.
- **MAKE WORKSHOP CHILDPROOF** with padlocks and master switches, or by removing starter keys.
- **DON'T FORCE TOOL.** It will do the job better and safer at the feed rate for which it was designed.
- **USE RIGHT TOOL.** Don't force the tool or attachment to do a job it was not designed for. Don't use it for a purpose not intended.
- **USE THE PROPER EXTENSION CORD.** Make sure your extension cord is in good condition. Use only a cord heavy enough to carry the current your product will draw. An undersized cord will cause a drop in line voltage resulting in loss of power and overheating. A wire gauge size (A.W.G.) of at least **16** is recommended for an extension cord 25 feet or less in length. If in doubt, use the next heavier gauge. The smaller the gauge number, the heavier the cord.
- **DRESS PROPERLY.** Do not wear loose clothing, gloves, neckties, or jewelry. They can get caught and draw you into moving parts. Also wear protective hair covering to contain long hair.
- **ALWAYS WEAR SAFETY GLASSES WITH SIDE SHIELDS.** Everyday eyeglasses have only impact-resistant lenses, they are not safety glasses.
- **SECURE WORK.** Use clamps or a vise to hold work when practical. It's safer than using your hand and frees both hands to operate tool.
- **DON'T OVERREACH.** Keep proper footing and balance at all times.
- **MAINTAIN TOOLS WITH CARE.** Keep tools sharp and clean for better and safer performance. Follow instructions for lubricating and changing accessories.
- **DISCONNECT TOOLS.** When not in use, before servicing, or when changing attachments, blades, bits, cutters, etc., all tools should be disconnected.
- **AVOID ACCIDENTAL STARTING.** Be sure switch is off when plugging in any tool.
- **USE RECOMMENDED ACCESSORIES.** Consult the operator's manual for recommended accessories. The use of improper accessories may risk injury.
- **NEVER STAND ON TOOL.** Serious injury could occur if the tool is tipped or if the cutting tool is unintentionally contacted.
- **CHECK DAMAGED PARTS.** Before further use of the tool, a guard or other part that is damaged should be carefully checked to determine that it will operate properly and perform its intended function. Check for alignment of moving parts, binding of moving parts, breakage of parts, mounting and any other conditions that may affect its operation. A guard or other part that is damaged must be properly repaired or replaced by an authorized service center to avoid risk of personal injury.
- **NEVER LEAVE TOOL RUNNING UNATTENDED. TURN THE POWER OFF.**
- **PROTECT YOUR LUNGS.** Wear a face or dust mask if the grinding operation is dusty.
- **PROTECT YOUR HEARING.** Wear hearing protection during extended periods of operation.
- **DO NOT ABUSE CORD.** Never yank cord to disconnect from receptacle. Keep cord away from heat, oil, and sharp edges.
- **USE OUTDOOR EXTENSION CORDS.** When tool is used outdoors, use only extension cords with approved ground connection that are intended for use outdoors and so marked.
- **WHEELS COASTS AFTER BEING TURNED OFF.**
- **NEVER USE IN AN EXPLOSIVE ATMOSPHERE.** Normal sparking of the motor could ignite fumes.
- **DO NOT USE TOOL IF SWITCH DOES NOT TURN IT ON AND OFF.** Have defective switches replaced by an authorized service center.

GENERAL SAFETY RULES

- **INSPECT TOOL CORDS PERIODICALLY.** If damaged, have repaired by a qualified service technician at an authorized service facility. The conductor with insulation having an outer surface that is green with or without yellow stripes is the equipment-grounding conductor. If repair or replacement of the electric cord or plug is necessary, do not connect the equipment-grounding conductor to a live terminal. Repair or replace a damaged or worn cord immediately. Stay constantly aware of cord location and keep it well away from the rotating grinding wheels.
- **INSPECT EXTENSION CORDS PERIODICALLY** and replace if damaged.
- **USE ONLY CORRECT WHEELS. DO NOT** use wheels with incorrect size holes. Never use wheel washers or wheel bolts that are defective or incorrect. The maximum wheel capacity of your grinder is 6 in.
- **NEVER TOUCH WHEEL** or other moving parts during use.
- **NEVER START A TOOL WHEN ANY ROTATING COMPONENT IS IN CONTACT WITH THE WORKPIECE.**
- **DO NOT OPERATE A TOOL WHILE UNDER THE INFLUENCE OF DRUGS, ALCOHOL, OR ANY MEDICATION.**
- **WHEN SERVICING** use only identical replacement parts. Use of any other parts may create a hazard or cause product damage.
- **USE ONLY RECOMMENDED ACCESSORIES** listed in this manual or addendums. Use of accessories that are not listed may cause the risk of personal injury. Instructions for safe use of accessories are included with the accessory.
- **DOUBLE CHECK ALL SETUPS.** Make sure blade is tight and not making contact with saw or workpiece before connecting to power supply.
- **GROUND ALL TOOLS.** If tool is equipped with three-prong plug, it should be plugged into a three-hole electrical receptacle.
- **CHECK WITH A QUALIFIED ELECTRICIAN** or service personnel if the grounding instructions are not completely understood or if in doubt as to whether the tool is properly grounded.
- **USE ONLY CORRECT ELECTRICAL DEVICES:** 3-wire extension cords that have 3-prong grounding plugs and 3-pole receptacles that accept the tool's plug.
- **DO NOT MODIFY** the plug provided. If it will not fit the outlet, have the proper outlet installed by a qualified electrician.

SPECIFIC SAFETY RULES




- **FIRMLY BOLT THE GRINDER TO A WORK BENCH OR LEG STAND** at approximately hip height.
- **NEVER** reach to pick up a workpiece, a piece of scrap, or anything else that is in or near the grinding path of the wheel.
- **AVOID AWKWARD OPERATIONS AND HAND POSITIONS** where a sudden slip could cause your hand to move into the wheel. **Always** make sure you have good balance.
- **NEVER** stand or have any part of your body in line with the path of the wheel.
- **DO NOT TURN THE MOTOR SWITCH ON AND OFF RAPIDLY.** This could cause the wheel to loosen and could create a hazard. Should this ever occur, stand clear and allow the wheel to come to a complete stop. Disconnect your grinder from the power supply and securely retighten the wheel nut.
- **USE ONLY FLANGES** furnished with this bench grinder.
- **IF ANY PART OF THIS GRINDER IS MISSING** or should break, bend, or fail in any way, or should any electrical component fail to perform properly, shut off the power switch, remove the machine plug from the power source and have damaged, missing, or failed parts replaced before resuming operation.
- **DO NOT OVERTIGHTEN THE WHEEL NUT.** Excessive tightening can cause the wheel to crack during operation.
- **ALWAYS USE THE GRINDER'S WHEEL GUARDS AND SAFETY SHIELDS.**
- **INSPECT GRINDING WHEEL** for visible defects. Check the wheel for fissures and cracks, and test for normal operation prior to use. Replace cracked wheel immediately.
- **ADJUST** distance between wheel and work rest to maintain 1/16 in. or less separation as the diameter of the wheel decreases with use. The value of separation used in the marking is to be the separation recommended by the manufacturer but shall not be more than 1/8 in.
- **ALWAYS EASE THE WORKPIECE AGAINST THE ABRASIVE WHEEL** when starting to grind. A harsh impact can break the wheel. Use light pressure when starting to grind; too much pressure on a cold wheel can cause the wheel to crack.
- **RISK OF INJURY DUE TO ACCIDENTAL STARTING.** **Do not** use in an area where children may be present.
- **NEVER START THE GRINDER** when the wheel is in contact with the workpiece.
- **SECURE WORK.** Always hold workpiece firmly against the work rest.

SPECIFIC SAFETY RULES







- **DO NOT USE THE BENCH GRINDER** if the flange nut or clamp nut is missing or if the spindle shaft is bent.
- **FREQUENTLY** clean grinding dust from beneath grinder.
- **SECURE LONG HAIR** so it is above shoulder level to prevent entanglement in any rotating parts.
- **STAY ALERT AND EXERCISE CONTROL.** Watch what you are doing and use common sense. Do NOT operate tool when you are tired. Do NOT rush.
- **DO NOT TOUCH** the cut material until it cools or you can be burned.
- **IF THE POWER SUPPLY CORD IS DAMAGED**, it must be replaced only by the manufacturer or by an authorized service center to avoid risk.
- **MAKE SURE THE GRINDER IS SECURELY MOUNTED** as described in the assembly instructions before connecting the tool to a power supply.
- **SAVE THESE INSTRUCTIONS.** Refer to them frequently and use to instruct other users. If you loan someone this tool, loan them these instructions also.

SYMBOLS

The following signal words and meanings are intended to explain the levels of risk associated with this product.

SYMBOL	SIGNAL	MEANING
	DANGER:	Indicates a hazardous situation, which, if not avoided, will result in death or serious injury.
	WARNING:	Indicates a hazardous situation, which, if not avoided, could result in death or serious injury.
	CAUTION:	Indicates a hazardous situation, that, if not avoided, may result in minor or moderate injury.
	NOTICE:	(Without Safety Alert Symbol) Indicates information considered important, but not related to a potential injury (e.g. messages relating to property damage).

Some of the following symbols may be used on this product. Please study them and learn their meaning. Proper interpretation of these symbols will allow you to operate the product better and safer.

SYMBOL	NAME	DESIGNATION/EXPLANATION
	Safety Alert	Indicates a potential personal injury hazard.
	Read Operator's Manual	To reduce the risk of injury, user must read and understand operator's manual before using this product.
	Eye Protection	Always wear eye protection with side shields marked to comply with ANSI Z87.1.
	Wet Conditions Alert	Do not expose to rain or use in damp locations.
	No Hands Symbol	Failure to keep your hands away from the blade will result in serious personal injury.
	Hot Surface	To reduce the risk of injury or damage, avoid contact with any hot surface.
V	Volts	Voltage
A	Amperes	Current
Hz	Hertz	Frequency (cycles per second)
W	Watt	Power
min	Minutes	Time
~	Alternating Current	Type of current
n ₀	No Load Speed	Rotational speed, at no load
.../min	Per Minute	Revolutions, strokes, surface speed, orbits etc., per minute

ELECTRICAL

EXTENSION CORDS

Use only 3-wire extension cords that have 3-prong grounding plugs and 3-pole receptacles that accept the product's plug. When using a power tool at a considerable distance from the power source, use an extension cord heavy enough to carry the current that the product will draw. An undersized extension cord will cause a drop in line voltage, resulting in a loss of power and causing the motor to overheat. Use the chart provided below to determine the minimum wire size required in an extension cord. Only round jacketed cords listed by Underwriter's Laboratories (UL) should be used.

**Ampere rating (on product data plate)

Cord Length	Wire Size (A.W.G.)					
	0-2.0	2.1-3.4	3.5-5.0	5.1-7.0	7.1-12.0	12.1-16.0
25'	16	16	16	16	14	14
50'	16	16	16	14	14	12
100'	16	16	14	12	10	—

**Used on 12 gauge - 20 amp circuit.

NOTE: AWG = American Wire Gauge

When working with the product outdoors, use an extension cord that is designed for outside use. This is indicated by the letters "W-A" or "W" on the cord's jacket.

Before using an extension cord, inspect it for loose or exposed wires and cut or worn insulation.

WARNING:

Keep the extension cord clear of the working area. Position the cord so that it will not get caught on lumber, tools, or other obstructions while you are working with a power tool. Failure to do so can result in serious personal injury.

WARNING:

Check extension cords before each use. If damaged replace immediately. Never use the product with a damaged cord since touching the damaged area could cause electrical shock resulting in serious injury.

ELECTRICAL CONNECTION

This product is powered by a precision-built electric motor. It should be connected to a power supply that is 120 V, AC only (normal household current), 60 Hz. Do not operate this product on direct current (DC). A substantial voltage drop will cause a loss of power and the motor will overheat. If the product does not operate when plugged into an outlet, double check the power supply.

SPEED AND WIRING

The no-load speed of this product is approximately 3,600 rpm. This speed is not constant and decreases under a load or with lower voltage. For voltage, the wiring in a shop is as important as the motor's horsepower rating. A line intended only for lights cannot properly carry a power tool motor. Wire that is heavy enough for a short distance will be too light for a greater distance. A line that can support one power tool may not be able to support two or three products.

GROUNDING INSTRUCTIONS

See Figure 1, page 11.

This product must be grounded. In the event of a malfunction or breakdown, grounding provides a path of least resistance for electric current to reduce the risk of electric shock. This product is equipped with an electric cord having an equipment-grounding conductor and a grounding plug. The plug must be plugged into a matching outlet that is properly installed and grounded in accordance with all local codes and ordinances.

Do not modify the plug provided. If it will not fit the outlet, have the proper outlet installed by a qualified electrician.

WARNING:

Improper connection of the grounding plug can result in a risk of electric shock. When repair or replacement of the cord is required, do not connect the grounding wire to either flat blade terminal. The wire with insulation having an outer surface that is green with or without yellow stripes is the grounding wire.

Check with a qualified electrician or service personnel if the grounding instructions are not completely understood, or if in doubt as to whether the product is properly grounded.

Repair or replace a damaged or worn cord immediately.

This product is for use on a nominal 120 V circuit and has a grounding plug similar to the plug illustrated in figure 1, page 11. Only connect the product to an outlet having the same configuration as the plug. Do not use an adapter with this product.

FEATURES

PRODUCT SPECIFICATIONS

Wheel Diameter 6 in.
Wheel Thickness 3/4 in.
Arbor Hole 1/2 in.

No Load Speed 3,600 r/min. (RPM)
Input 120 V~, 2.1 A, 60 Hz

ASSEMBLY

UNPACKING

This product requires assembly.

- Carefully remove the product and any accessories from the box. Make sure that all items listed in the packing list are included.

WARNING:

Do not use this product if it is not completely assembled or if any parts appear to be missing or damaged. Use of a product that is not properly and completely assembled could result in serious personal injury.

- Inspect the tool carefully to make sure no breakage or damage occurred during shipping.
- Do not discard the packing material until you have carefully inspected and satisfactorily operated the tool.
- If any parts are damaged or missing, please call 1-800-525-2579 for assistance.

WARNING:

If any parts are damaged or missing do not operate this product until the parts are replaced. Use of this product with damaged or missing parts could result in serious personal injury.

WARNING:

Do not attempt to modify this tool or create accessories not recommended for use with this tool. Any such alteration or modification is misuse and could result in a hazardous condition leading to possible serious personal injury.

WARNING:

Do not connect to power supply until assembly is complete. Failure to comply could result in accidental starting and possible serious personal injury.

WARNING:

Always spin the wheel by hand before turning on the grinder to make sure the spark deflector doesn't hit the grinding wheel.

TOOLS NEEDED

See Figure 2, page 11.

The following tools (not included or drawn to scale) are needed for assembly:

- Adjustable Wrench
- Phillips Screwdriver

LOOSE PARTS LIST

See Figure 3, page 11.

The following items are included with the tool:

- Screw 4
- Washer 4
- Lock washer 4
- Spark shield 1
- Carriage bolt 2
- Work rest knob 2
- Left work rest 1
- Right work rest 1
- Spark shield with magnifier 1
- Spark Deflector with LED 2
- Spacer 1
- Batteries (AAA) 4

ATTACHING SPARK SHIELD TO SPARK DEFLECTOR WITH LED

See Figure 4, page 12.

- Hold the bolt and rotate the spark shield knob counterclockwise to loosen.
- Remove the bolt and spark shield knob.
- Place spark shield onto spark deflector with LED assembly. Align the holes in the spark shield with the holes in the spark deflector with LED assembly.

ASSEMBLY

- Install bolt through the holes in the spark deflector with LED assembly and spark shield.

NOTE: Orient the bolt so that the head of the bolt sits in the recessed area of the spark shield.

- Reinstall spark shield knob onto the bolt. Tighten securely.

MOUNTING SPARK SHIELD ASSEMBLY

See Figure 5, page 12.

- Attach the spark shield assembly to the wheel guard using two screws, washers, and lock washers.
- Tighten screw securely.
- Repeat above steps for the second spark shield assembly.

NOTE: The spark shield assemblies can be installed on either side of the tool. For detailed grinding, it's recommended to place the spark shield with magnifier on the right side above the finer wheel.

MOUNTING WORK RESTS

See Figure 6, page 12.

- Unscrew and remove the work rest knob from the carriage bolt.
- Attach the right work rest to the inside of the wheel guard as shown.

NOTE: As the diameter of the wheel decreases with use, adjust the distance between the wheel and the right work rest to maintain 1/16 in. or less separation.

- Tighten work rest knob securely.
- Repeat above steps for the left work rest.

INSTALLING/REMOVING BATTERIES

See Figure 7, page 12.

Always turn the on/off switch to the OFF position when installing batteries.

- Remove battery covers from the spark shield assemblies.
- Install AAA batteries according to the polarity indicators (+ or -) inside the battery compartments.
- Replace and secure the battery covers.

MOUNTING GRINDER TO WORKBENCH

See Figure 8, page 12.

The bench grinder must be mounted to a firm supporting surface such as a workbench or leg stand. Four bolt holes have been provided in the tool's base for this purpose. Each of the four mounting holes should be bolted securely using machine bolts, lock washers, and hex nuts (not included). Bolts should be of sufficient length to accommodate the saw base, lock washers, hex nuts, and the thickness of the workbench. Tighten all four bolts securely.

Carefully check the workbench after mounting to make sure that no movement can occur during use. If any tipping, sliding, or walking is noted, secure the workbench to the floor before operating.

WARNING:

Always make sure your bench grinder is securely mounted to a workbench. Failure to do so could result in an accident resulting in possible serious personal injury.

OPERATION

WARNING:

Do not allow familiarity with tools to make you careless. Remember that a careless fraction of a second is sufficient to inflict serious injury.

WARNING:

Always wear eye protection with side shields marked to comply with ANSI Z87.1. Failure to do so could result in objects being thrown into your eyes, resulting in possible serious injury.

WARNING:

Do not use any attachments or accessories not recommended by the manufacturer of this tool. The use of attachments or accessories not recommended can result in serious personal injury.

CAUTION:

Excessive pressure on a cold wheel may cause the wheel to crack.

NOTICE:

Never sharpen or grind anything made of aluminum, brass, or copper.

OPERATION



WARNING:

Do not use wheels rated less than the speed of this tool. Failure to heed this warning could result in personal injury.

APPLICATIONS

This product has been designed only for the purposes listed below:

- Sharpening drill bits
- Sharpening lawn mower blades
- Sharpening chisels and flat screwdrivers

LED LIGHT SWITCH

See Figure 9, page 12.

Use the LED light switch on top of the spark shield assembly to turn the lights on and off.

BASIC OPERATION

To be efficient and work as designed, your tools should be kept sharp. Dull tools can and will cause accidents.

Bench grinders are ideal for sharpening tools such as chisels, scissors, etc., and for removing rust or corrosion. Grinders remove material rapidly so pressure is the key to efficient grinding.

The proper way to sharpen a tool and avoid overheating is:

- Keep the object in constant motion, moving it at an even pace.
- Never force a tool against the grinding wheel.
- Keep the tool cool by using a pan of water.
- The grinding wheel should rotate “into” the object being sharpened.

NOTE: Excessive pressure may damage the tool, cause the motor to overheat, and prematurely wear down the grinding wheel.

ON/OFF SWITCH

See Figure 10, page 12.

The bench grinder features a front access on/off switch for convenience and safety.

SHARPENING TWIST DRILL BITS

See Figure 11, page 13.

Drill bits are best sharpened on a sharpening jig (available at most hardware stores). Begin on one side of the point at the existing angle, then twist the bit while maintaining contact with the grinding surface. Sharpen only the tip.

This technique requires considerable practice, so take your time and make a few “dry runs” first with the grinder off. Be sure to maintain the original cutting edge angle as this is important to the efficiency of your bits.

SHARPENING LAWN MOWER BLADES

See Figure 12, page 13.

Lawn mower blades are usually sharpened on only one edge and dressed up slightly on the other. Perform this sharpening process on both cutting ends of the blade. After sharpening, be sure to balance the blade by removing additional material.

NOTICE:

An unbalanced lawn mower blade may cause excessive vibration which will damage the lawn mower.

SHARPENING CHISELS AND SCREWDRIVER BLADES

See Figure 13, page 13.

When sharpening chisels and screwdrivers, work rest should support the chisel at the correct angle against the wheel.

MAINTENANCE

WARNING:

When servicing, use only identical replacement parts. Use of any other parts could create a hazard or cause product damage.

WARNING:

Always wear eye protection with side shields marked to comply with ANSI Z87.1. Failure to do so could result in objects being thrown into your eyes resulting in possible serious injury.

GENERAL MAINTENANCE

Avoid using solvents when cleaning plastic parts. Most plastics are susceptible to damage from various types of commercial solvents and may be damaged by their use. Use clean cloths to remove dirt, dust, oil, grease, etc.

WARNING:

Do not at any time let brake fluids, gasoline, petroleum-based products, penetrating oils, etc., come in contact with plastic parts. Chemicals can damage, weaken or destroy plastic which could result in serious personal injury.

LUBRICATION

All of the bearings in this tool are lubricated with a sufficient amount of high grade lubricant for the life of the unit under normal operating conditions. Therefore, no further lubrication is required.

POWER SUPPLY CORD REPLACEMENT

If replacement of the power supply cord is necessary, this must be done by an authorized service center in order to avoid a safety hazard.

WHEEL REPLACEMENT

See Figure 14, page 13.

If you must replace a grinding wheel, be sure to obtain one with a safe rated speed at least as high as the “no load speed” RPM marked on the data plate of the grinder and which is marked to comply with ANSI B7.1.

To replace the grinding wheel:

- Unplug the grinder.
- Remove the flange nuts and screws securing the wheel guard cover.
- Remove the wheel guard cover.
- Loosen the wheel nut in a clockwise direction for the left side and a counterclockwise direction for the right side.
- Remove the outer flange and grinding wheel.
- To install a new grinding wheel, reverse the above procedure.

NOTE: Be sure the grinding wheel and outer flange are properly seated on the spindle shaft.

INSTALLING WIRE WHEEL (NOT INCLUDED)

See Figure 15, page 13.

When replacing the grinding wheel with a wire wheel, it is necessary to place a spacer on the spindle shaft BEFORE installing the inner flange, wheel, outer flange, and wheel nut.

NOTE: ILLUSTRATIONS START ON PAGE 10 AFTER FRENCH AND SPANISH LANGUAGE SECTIONS.

RÈGLES DE SÉCURITÉ GÉNÉRALES



AVERTISSEMENT

Lire et veiller à bien comprendre toutes les instructions. Le non respect de toutes les instructions ci-dessous peut entraîner un choc électrique, un incendie et / ou des blessures graves.

LIRE TOUTES LES INSTRUCTIONS

- **VEILLER À BIEN CONNAÎTRE L'OUTIL.** Lire attentivement le manuel d'utilisation. Apprendre les applications et les limites de la meuleuse, ainsi que les risques spécifiques relatifs à son utilisation.
- **SE PROTÉGER DES CHOCs ÉLECTRIQUES EN ÉVITANT TOUT CONTACT DU CORPS AVEC DES SURFACES MISES À LA TERRE.** Par exemple : tuyaux, radiateurs, cuisinières, réfrigérateurs.
- **MAINTENIR TOUS LES DISPOSITIFS DE PROTECTION EN PLACE** et en bon état de fonctionnement.
- **RETIRER LES CLÉS ET OUTILS DE RÉGLAGE.** Prendre l'habitude de vérifier que tous les outils et clés de réglage en ont été retirés de l'outil avant de le mettre en marche.
- **GARDER LE LIEU DE TRAVAIL PROPRE.** Les établis encombrés et les endroits sombres sont propices aux accidents. **NE PAS** laisser d'outils ou de pièces de bois sur la meuleuse en fonctionnement.
- **NE PAS UTILISER DANS UN ENVIRONNEMENT DANGEREUX.** Ne pas utiliser les outils électriques dans des endroits mouillés ou humides, ne pas les exposer à la pluie. Garder le lieu de travail bien éclairé.
- **GARDER LES ENFANTS ET VISITEURS À L'ÉCART.** Tous les visiteurs doivent porter des lunettes de sécurité et se tenir à bonne distance de la zone de travail. Ne pas laisser les visiteurs toucher l'outil ou son cordon d'alimentation pendant le fonctionnement.
- **ASSURER LA SÉCURITÉ DES ENFANTS** en installant des cadenas et des disjoncteurs ou en retirant les clés de contact.
- **NE PAS FORCER L'OUTIL.** Il exécutera le travail mieux et de façon moins dangereuse s'il fonctionne dans les limites prévues.
- **UTILISER L'OUTIL APPROPRIÉ.** Ne pas utiliser l'outil ou un accessoire pour effectuer un travail pour lequel il n'est pas conçu. Ne pas utiliser l'outil pour une application non prévue.
- **UTILISER UN CORDON PROLONGATEUR ADÉQUAT.** S'assurer que le cordon prolongateur est en bon état. Utiliser exclusivement un cordon d'une capacité suffisante pour supporter le courant de fonctionnement de l'outil. Un cordon de capacité insuffisante causerait une baisse de la tension de ligne, entraînant une perte de puissance et une surchauffe. Un calibre de fil (A.W.G.) d'au minimum **16** est recommandé pour un cordon prolongateur de 7,6 m (25 pi) ou moins. En cas de doute, utiliser un cordon

du calibre immédiatement supérieur. Moins le numéro de calibre est élevé, plus la capacité du fil est grande.

- **PORTER UNE TENUE APPROPRIÉE.** Ne pas porter de vêtements amples, gants, cravate ou bijoux. Ces articles pourraient être happés et tirer la main ou une partie du corps dans les pièces en mouvement. Les cheveux longs doivent être ramassés sous un couvre-chef.
- **TOUJOURS PORTER DES LUNETTES DE SÉCURITÉ À COQUES LATÉRALES.** Les lunettes de vue ordinaires sont munies seulement de verres résistants aux impacts. Ce ne sont **PAS** des lunettes de sécurité.
- **ASSUJETTIR LES PIÈCES.** Dans la mesure du possible, utiliser des serre-joint ou un étau pour maintenir la pièce. Cette pratique réduit les risques et laisse les deux mains libres.
- **NE PAS TRAVAILLER HORS DE PORTÉE.** Toujours se tenir bien campé et en équilibre.
- **ENTREtenir SOIGNEUSEMENT LES OUTILS.** Garder les outils bien affûtés et propres pour accroître la sécurité et les performances. Suivre les instructions de lubrification et de changement d'accessoires.
- **DÉBRANCHER TOUS LES OUTILS.** Tous les outils doivent être débranchés lorsqu'ils ne sont pas en usage et avant toute opération d'entretien ou de changement d'accessoire, de meule, etc.
- **ÉVITER LES DÉMARRAGES ACCIDENTELS.** S'assurer que le commutateur est en position d'arrêt avant de brancher un outil.
- **UTILISER LES ACCESSOIRES RECOMMANDÉS.** Voir les accessoires recommandés dans le manuel d'utilisation. L'emploi de tout accessoire inadapté peut présenter un risque de blessure.
- **NE JAMAIS MONTER SUR L'OUTIL.** Un basculement de l'outil ou le contact accidentel avec l'accessoire de coupe peut causer des blessures graves.
- **VÉRIFIER L'ÉTAT DES PIÈCES.** Avant d'utiliser l'outil de nouveau examiner soigneusement les pièces et dispositifs de protection qui semblent endommagés afin de déterminer s'ils fonctionnent correctement et s'ils remplissent les fonctions prévues. Vérifier l'alignement des pièces mobiles, s'assurer qu'aucune pièce n'est bloquée ou cassée, vérifier la fixation de chaque pièce et s'assurer qu'aucun autre problème ne risque d'affecter le bon fonctionnement de l'outil. Pour éviter les risques de blessures, toute protection ou pièce endommagée doit être correctement réparée ou remplacée dans un centre de réparations agréé.
- **NE JAMAIS LAISSER L'OUTIL EN FONCTIONNEMENT SANS SURVEILLANCE. COUPER L'ALIMENTATION ÉLECTRIQUE.**
- **PORTER UNE PROTECTION RESPIRATOIRE.** Porter un masque facial ou respiratoire si le travail produit de la poussière.

RÈGLES DE SÉCURITÉ GÉNÉRALES

- **PORTER UNE PROTECTION AUDITIVE.** Porter une protection auditive durant les périodes d'utilisation prolongée.
- **NE PAS MALTRAITER LE CORDON D'ALIMENTATION.** Ne jamais tirer sur le cordon pour le débrancher de la prise secteur. Garder le cordon à l'écart de la chaleur, de l'huile et des objets tranchants.
- **N'UTILISER QUE DES CORDONS PROLONGATEURS POUR EXTÉRIEUR.** Pour les travaux à l'extérieur, utiliser exclusivement des cordons spécialement conçus à cet effet, marqués en conséquence, et dotés d'une prise de terre agréée.
- **LA MEULE CONTINUE DE TOURNER APRÈS QUE LA MACHINE A ÉTÉ ARRÊTÉE.**
- **NE JAMAIS UTILISER CET OUTIL DANS UNE ATMOSPHÈRE EXPLOSIVE.** Les étincelles normalement produites par le moteur pourraient enflammer les vapeurs.
- **NE PAS UTILISER L'OUTIL SI LE COMMUTATEUR NE PERMET PAS DE LE METTRE EN MARCHÉ OU DE L'ARRÊTER.** Faire remplacer les commutateurs défectueux dans un centre de réparations agréé.
- **INSPECTER RÉGULIÈREMENT LES CORDONS DE L'OUTIL.** S'ils sont endommagés, les par un technicien qualifié ou un centre de réparations agréé. Le fil à gaine verte, avec ou sans traceur jaune est le fil de terre. Si le cordon doit être réparé ou remplacé, ne pas connecter le fil de terre de l'outil sur une borne sous tension. Tout cordon endommagé doit être réparé ou remplacé immédiatement. Toujours rester conscient de l'emplacement du cordon et veiller à le tenir à l'écart de la meule en rotation.
- **INSPECTER RÉGULIÈREMENT LES CORDONS PROLONGATEURS** et les remplacer s'ils sont endommagés.
- **N'UTILISER QUE DES MEULES APPROPRIÉES.** Ne pas utiliser de meules dont le trou n'est pas de la taille correcte. Ne jamais utiliser de rondelles ou boulons de meule défectueux ou de type incorrect. La taille maximum de meule pouvant être utilisée sur cet outil est de 152 mm (6 po).
- **NE JAMAIS TOUCHER LE DISQUE** ou d'autres pièces en mouvement pendant le fonctionnement.
- **NE JAMAIS METTRE UN OUTIL EN MARCHÉ LORSQU'UNE PIÈCE EN ROTATION QUELCONQUE EST EN CONTACT AVEC LA PIÈCE À COUPER.**
- **NE PAS UTILISER D'OUTILS SOUS L'INFLUENCE DE L'ALCOOL, DE DROGUES OU DE MÉDICAMENTS.**
- Utiliser exclusivement des pièces identiques à celles d'origine **POUR LES RÉPARATIONS.** L'usage de toute autre pièce pourrait créer une situation dangereuse ou endommager l'outil.
- **UTILISER EXCLUSIVEMENT LES ACCESSOIRES RECOMMANDÉS** dans ce manuel ou ses addendas. L'emploi de tout accessoire non recommandé peut présenter un risque de blessure. Les instructions de sécurité d'utilisation sont fournies avec les accessoires.
- **VÉRIFIER DEUX FOIS TOUS LES RÉGLAGES** S'assurer que la meule est bien serrée et ne touche pas la pièce avant de brancher la machine sur le secteur.
- **METTRE TOUS LES OUTILS À LA TERRE.** Si un outil est équipé d'une fiche à trois broches, il doit être branché sur une prise secteur à trois trous.
- **CONSULTER UN ÉLECTRICIEN QUALIFIÉ** ou le personnel de service si les instructions de mise à la terre ne sont pas bien comprises, ou en cas de doute au sujet de la mise à la terre.
- **N'UTILISER QUE DES ACCESSOIRES ÉLECTRIQUES APPROPRIÉS :** Utiliser exclusivement des cordons prolongateurs à 3 fils doté d'une fiche à prise de terre branchés sur une prise triphasée compatible avec la fiche de l'outil.
- **NE PAS MODIFIER** la fiche fournie. Si elle ne peut pas être insérée dans la prise secteur, faire installer une prise adéquate par un électricien qualifié.

RÈGLES DE SÉCURITÉ PARTICULIÈRES




- **ASSUJETTIR OU BOULONNER SOLIDEMENT LA MEULEUSE SUR UN ÉTABLI OU UN STAND,** approximativement à la hauteur des hanches.
- **NE JAMAIS** essayer de saisir une pièce, une chute ou quoi que ce soit se trouvant dans ou à proximité de la trajectoire de la meule.
- **ÉVITER LES OPÉRATIONS ET POSITIONS INCOMMODES** pouvant causer un glissement soudain de la main vers le disque. **TOUJOURS** se tenir bien en équilibre.
- **NE JAMAIS** se tenir ou laisser une partie du corps se trouver dans la trajectoire du disque.
- **NE JAMAIS FAIRE PASSER LE COMMUTATEUR DE LA POSITION MARCHÉ À LA POSITION ARRÊT RAPIDEMENT.** Ceci pourrait causer le desserrage du boulon de disque, créant une situation dangereuse. Si cela se produit, s'éloigner de la machine et attendre l'arrêt complet du disque. Débrancher la scie de la prise secteur et resserrer le boulon de meule.
- **N'UTILISER QUE LES FLASQUES** fournis avec la meuleuse.

RÈGLES DE SÉCURITÉ PARTICULIÈRES







- **SI UNE PIÈCE QUELCONQUE DE LA MEULEUSE MANQUE** est brisée, déformée ou présente quelque défaut que ce soit, ou si un composant électrique quel qu'il soit ne fonctionne pas correctement, éteindre la machine, la débrancher de la prise secteur et faire réparer ou remplacer la pièce manquante, brisée ou endommagée avant de remettre la machine en service.
- **NE PAS TROP SERRER LE BOULON DE LA MEULE.** Un serrage excessif pourrait causer le bris de la meule pendant le fonctionnement.
- **TOUJOURS UTILISER LES GARDES DE MEULE ET DISPOSITIFS DE PROTECTION FOURNIS AVEC LA MACHINE.**
- **VÉRIFIER QUE LA MEULE** n'est pas endommagée. S'assurer que la meule n'est ni fêlée, ni brisée et que la machine fonctionne normalement avant de l'utiliser. Remplacer immédiatement toute meule fêlée.
- **RÉGLER** la distance entre la meule et l'appui de manière à conserver un espace de 1,6 mm (1/16 po) ou moins à mesure de l'usure de la meule. Cette distance doit être celle recommandée par le fabricant et ne jamais dépasser 3,2 mm (1/8 po).
- **TOUJOURS AVANCER LA PIÈCE LENTEMENT CONTRE LA MEULE.** Un contact brusque pourrait briser la meule. Au début du meulage, n'appuyer que légèrement sur la pièce à usiner. Une pression excessive pourrait causer le bris d'une meule froide.
- **RISQUE DE BLESSURES DUES À UN DÉMARRAGE ACCIDENTEL.** Ne jamais utiliser dans un lieu où des enfants peuvent se trouver.
- **NE JAMAIS METTRE L'OUTIL EN MARCHÉ** avec la pièce en contact avec la meule.
- **ASSUJETTIR LES PIÈCES.** Toujours maintenir fermement les pièces sur l'appui.
- **NE PAS UTILISER LA MEULEUSE** si l'écrou de flasque manque ou si l'axe de la meule est tordu.
- **NETTOYER FRÉQUEMMENT** la poussière de meulage du dessous de la machine.
- **ATTACHER LES CHEVEUX LONGS** pour les maintenir au-dessus des épaules, afin qu'ils ne se prennent pas dans les pièces en rotation.
- **RESTER VIGILANT ET GARDER LE CONTRÔLE.** Se montrer attentif et faire preuve de bon sens. NE PAS utiliser l'outil en état de fatigue. NE PAS se presser.
- **NE PAS TOUCHER** la pièce coupée avant qu'elle ait refroidi, afin d'éviter les brûlures.
- **SI LE CORDON D'ALIMENTATION EST ENDOMMAGÉ,** il doit être remplacé uniquement par le fabricant ou par un centre de réparation agréé pour éviter tout risque.
- **S'ASSURER QUE LA MEULE EST SOLIDEMENT MONTÉE,** comme décrit dans les instructions de assemblage avant de brancher l'outil sur une prise secteur.
- **CONSERVER CES INSTRUCTIONS.** Les consulter fréquemment et les utiliser pour instruire les autres utilisateurs. Si cet outil est prêté, il doit être accompagné de ces instructions.

SYMBOLES

Les termes de mise en garde suivants et leur signification ont pour but d'expliquer le degré de risques associé à l'utilisation de ce produit.

SYMBOLE	SIGNAL	SIGNIFICATION
	DANGER :	Indique une situation dangereuse qui, si elle n'est pas évitée, aura pour conséquences des blessures graves ou mortelles.
	AVERTISSEMENT :	Indique une situation dangereuse qui, si elle n'est pas évitée, pourrait entraîner des blessures graves ou mortelles.
	ATTENTION :	Indique une situation dangereuse qui, si elle n'est pas évitée, pourrait entraîner des blessures légères ou de gravité modérée.
	AVIS :	(Sans symbole d'alerte de sécurité) Indique les informations jugées importantes sans toutefois représenter un risque de blessure (ex. : messages concernant les dommages matériels).

Certains des symboles ci-dessous peuvent être utilisés sur produit. Veiller à les étudier et à apprendre leur signification. Une interprétation correcte de ces symboles permettra d'utiliser produit plus efficacement et de réduire les risques.

SYMBOLE	NOM	DÉSIGNATION / EXPLICATION
	Symbole d'alerte de sécurité	Indique un risque de blessure potentiel.
	Lire manuel d'utilisation	Pour réduire les risques de blessures, l'utilisateur doit lire et veiller à bien comprendre le manuel d'utilisation avant d'utiliser ce produit.
	Protection oculaire	Toujours porter une protection oculaire avec écrans latéraux certifiée conforme à la norme ANSI Z87.1.
	Avertissement concernant l'humidité	Ne pas exposer à la pluie ou l'humidité.
	Symbole Mains à l'écart	Le non respect de cette mise en garde peut entraîner des blessures graves.
	Surface brûlante	Pour éviter les risques de blessures ou de dommages, éviter tout contact avec les surfaces brûlantes.
V	Volts	Tension
A	Ampères	Intensité
Hz	Hertz	Fréquence (cycles par seconde)
W	Watt	Puissance
min	Minutes	Temps
~	Courant alternatif	Type de courant
n_0	Vitesse à vide	Vitesse de rotation à vide
.../min	Par minute	Tours, coups, vitesse périphérique, orbites, etc., par minute

CARACTÉRISTIQUES ÉLECTRIQUES

CORDONS PROLONGATEURS

Utiliser exclusivement des cordons prolongateurs à trois fils doté d'une fiche à prise de terre branchés sur une prise triphasée compatible avec la fiche de l'outil. Lors de l'utilisation d'un outil électrique à grande distance d'une prise secteur, veiller à utiliser un cordon prolongateur d'une capacité suffisante pour supporter l'appel de courant de l'outil. Un cordon de capacité insuffisante causerait une baisse de la tension de ligne, entraînant une perte de puissance et une surchauffe. Se reporter au tableau ci-dessous pour déterminer le calibre minimum de fil requis pour un cordon donné. Utiliser exclusivement des cordons à gaine ronde homologués par Underwriter's Laboratories (UL).

**Intensité nominale (sur la plaquette signalétique de l'outil)

0-2.0 2.1-3.4 3.5-5.0 5.1-7.0 7.1-12.0 12.1-16.0

Longueur du cordon	Calibre de fil (A.W.G.)					
	0-2.0	2.1-3.4	3.5-5.0	5.1-7.0	7.1-12.0	12.1-16.0
25'	16	16	16	16	14	14
50'	16	16	16	14	14	12
100'	16	16	14	12	10	—

**Utilisé sur circuit de calibre 12 – 20 A.

NOTE : AWG = American Wire Gauge

Pour les travaux à l'extérieur, utiliser un cordon prolongateur spécialement conçu à cet effet. La gaine des cordons de ce type porte l'inscription « W-A » ou « W ».

Avant d'utiliser un cordon prolongateur, vérifier que ses fils ne sont ni détachés ni exposés et que son isolation n'est ni coupée, ni usée.

AVERTISSEMENT :

Maintenir le cordon prolongateur à l'écart de la zone de travail. Lors du travail avec un cordon électrique, placer le cordon de manière à ce qu'il ne risque pas de se prendre dans les pièces de bois, outils et autres obstacles. Ne pas prendre cette précaution peut entraîner des blessures graves.

AVERTISSEMENT :

Vérifier l'état des cordons prolongateurs avant chaque utilisation. Remplacer immédiatement tout cordon endommagé. Ne jamais utiliser un outil dont le cordon d'alimentation est endommagé car tout contact avec la partie endommagée pourrait causer un choc électrique et des blessures graves.

CONNEXION ÉLECTRIQUE

Cet outil est équipé d'un moteur électrique de précision. Elle doit être branchée uniquement sur une alimentation 120 V, c.a. (courant résidentiel standard), 60 Hz. Ne pas utiliser cet produit sur une source de courant continu (c.c.). Une chute de tension importante causerait une perte de puissance et une surchauffe du moteur. Si l'outil ne fonctionne pas une fois branché, vérifier l'alimentation électrique.

VITESSE ET CÂBLAGE

La vitesse à vide de cet produit est d'environ 3 600 rpm. La vitesse n'est pas constante et elle diminue sous une charge ou en présence d'une baisse de tension. Le câblage de l'atelier est aussi important que la puissance nominale du moteur. Une ligne conçue seulement pour l'éclairage ne peut pas alimenter correctement le moteur d'un outil électrique. Un fil électrique d'une capacité suffisante pour une courte distance ne le sera pas nécessairement pour une distance plus longue. Une ligne dont la capacité est suffisante pour un outil électrique ne l'est pas nécessairement pour deux ou trois.

INSTRUCTIONS DE MISE À LA TERRE

Voir la figure 1, page 11.

Ce produit doit être fondé. En cas de problème de fonctionnement ou de panne, la mise à la terre fournit un chemin de résistance au courant électrique, pour réduire le risque de choc électrique. Cet produit est équipé d'un cordon électrique avec conducteur et fiche de mise à la terre. Le cordon doit être branché sur une prise correctement installée et mise à la terre conformément à tous les codes et réglementations locaux en vigueur.

Ne pas modifier la fiche fournie. Si elle ne peut pas être insérée dans la prise secteur, faire installer une prise adéquate par un électricien qualifié.

AVERTISSEMENT :

L'usage d'un cordon prolongateur incorrect peut présenter des risques de choc électrique. Si le cordon doit être réparé ou remplacé, ne pas connecter le fil de terre de l'outil sur une borne sous tension. Le fil à gaine verte, avec ou sans traceur jaune est le fil de terre.

Consulter un électricien qualifié ou le personnel de service si les instructions de mise à la terre ne sont pas bien comprises, ou en cas de doute au sujet de la mise à la terre.

Tout cordon endommagé doit être réparé ou remplacé immédiatement.

Ce produit est pour l'usage sur un nominal 120 circuit de volt et a un fonder bouche similaire au bouchon illustré dans la figure 1, page 11. Seulement connecter le produit à une sortie ayant la même configuration comme le bouchon. Ne pas utiliser un adaptateur avec ce produit.

CARACTÉRISTIQUES

FICHE TECHNIQUE

Diamètre de la meule.....152 mm (6 po)
Épaisseur du disque..... 19 mm (3/4 po)
Trou d'axe..... 13 mm (1/2 po)

Vitesse à vide3 600 r/min (RPM)
Alimentation..... 120 V~, 2,1 A, 60 Hz

ASSEMBLAGE

DÉBALLAGE

Ce produit doit être assemblé.

- Avec précaution, sortir l'outil et les accessoires de la boîte. S'assurer que toutes les pièces figurant sur la pièces détachées sont incluses.

AVERTISSEMENT :

Ne pas utiliser le produit s'il n'est pas complètement assemblé ou si des pièces semblent manquantes ou endommagées. Le fait d'utiliser un produit assemblé de façon inadéquate ou incomplète peut entraîner des blessures graves.

- Examiner soigneusement l'outil pour s'assurer que rien n'a été brisé ou endommagé en cours de transport.
- Ne pas jeter les matériaux d'emballage avant d'avoir soigneusement examiné l'outil et avoir vérifié qu'il fonctionne correctement.
- Si des pièces manquent ou sont endommagées, appeler le 1-800-525-2579.

AVERTISSEMENT :

Si des pièces manquent ou sont endommagées, ne pas utiliser ce produit avant qu'elles aient été remplacées. Le fait d'utiliser ce produit même s'il contient des pièces endommagées ou s'il lui manque des pièces peut entraîner des blessures graves.

AVERTISSEMENT :

Ne pas essayer de modifier cet outil ou de créer des accessoires non recommandés pour l'outil. De telles altérations ou modifications sont considérées comme un usage abusif et peuvent créer des conditions dangereuses, risquant d'entraîner des blessures graves.

AVERTISSEMENT :

Ne pas brancher sur le secteur avant d'avoir terminé l'assemblage. Le non respect de cet avertissement peut causer un démarrage accidentel, entraînant des blessures graves.

AVERTISSEMENT :

Toujours faire tourner la meule à la main avant de la mettre en marche, pour s'assurer que le d'flecteur d'étincelles ne la touche pas.

OUTILS NÉCESSAIRES

Voir la figure 2, page 11.

Les outils suivants (non inclus ou dessiné pour escalader) sont nécessaires pour effectuer l'assemblage :

- Clé a molette
- Tournevis phillips

PIÈCES DÉTACHÉES

Voir la figure 3, page 11.

Les articles suivants sont inclus avec l'outil :

- Vis..... 4
- Rondelle 4
- Rondelle de blocage 4
- Écran protecteur 1
- Boulon à collet carré 2
- Bouton du appui 2
- Appui gauche 1
- Appui droite..... 1
- Écran protecteur avec loupe..... 1
- Pare-étincelles avec DEL 2
- Entretoise 1
- Piles (AAA)..... 4

INSTALLATION DE L'ÉCRAN PROTECTEUR AU PARE-ÉTINCELLES AVEC DEL

Voir la figure 4, page 12.

- Maintenir le boulon et tourner le bouton de l'écran protecteur vers la gauche pour le dévisser.
- Retirer le boulon et le bouton de l'écran protecteur.

ASSEMBLAGE

- Installer l'écran protecteur au pare-étincelles avec l'assemblage DEL. Aligner les trous de l'écran protecteur avec les trous du pare-étincelles et l'assemblage DEL.
- Insérer le boulon dans les trous du pare-étincelles, l'assemblage DEL et l'écran protecteur.

NOTE : Orienter le boulon de manière à ce que la tête du boulon repose dans la zone renforcée de l'écran protecteur.

- Réinstaller le bouton de l'écran protecteur sur le boulon. Serrer fermement.

MONTAGE DE L'ASSEMBLAGE D'ÉCRAN PROTECTEUR

Voir la figure 5, page 12.

- Fixer l'assemblage de l'écran protecteur au protège-meule en utilisant deux vis, des rondelles et les rondelles frein.
- Serrer fermement le vis.
- Répéter les étapes ci-dessus pour le autre assemblage d'écran protecteur.

NOTE : L'assemblage de l'écran protecteurs peuvent être installés de chaque côté de l'outil. Pour le meulage détaillée, il est recommandé de placer l'écran protecteur avec loupe sur le côté droit au-dessus de meule plus fine.

INSTALLATION DE L'APPUI

Voir la figure 6, page 12.

- Dévisser et retrait du bouton du appui del boulon à collet carré.
- Installer le appui droite à l'intérieur de la garde de meule, comme illustré.

NOTE : Régler la dstance entre la meule et l'appui droite de manière à conserver un espace de 1,6 mm (1/16 po) ou moins à mesure de l'usure de la meule.

- Serrer fermement le bouton du appui.
- Répéter les étapes ci-dessus pour le appui gauche.

INSTALLATION/RETRAIT DES PILES

Voir la figure 7, page 12.

Toujours mettre l'interrupteur marche/arrêt à la position OFF (arrêt) lors de l'installation des piles.

- Retirer les couvercles des piles des assemblages d'écran protecteur.
- Installer les piles AAA en respectant les polarités (+ ou -) à l'intérieur des compartiments à piles.
- Remettre les couvercles des piles et les fixer fermement.

MONTAGE DE LA MEULEUSE SUR UN ÉTABLI

Voir la figure 8, page 12.

La meuleuse doit être montée solidement sur un plan de travail ferme, tel qu'un établi ou un stand. Pour ce faire, la base de la scie comporte quatre trous. Ces quatre trous doivent être utilisés pour fixer la scie sur le plan de travail au moyen de quatre boulons, rondelles et écrous à six pans (non inclus). Les boulons doivent être assez longs pour traverser la base de la scie, les rondelles frein, les écrous et l'établi. Serrer les quatre boulons fermement.

Une fois le montage terminé, vérifier soigneusement l'établi pour s'assurer qu'aucun mouvement ne peut se produire en cours d'utilisation. Si l'établi bascule, glisse ou se déplace, l'assujettir sur le sol avant d'utiliser la scie.

AVERTISSEMENT :

La meuleuse doit toujours être solidement assujettie sur un établi. Le non respect de cette précaution peut entraîner des blessures graves.

UTILISATION

AVERTISSEMENT :

Ne pas laisser la familiarité avec l'outil faire oublier la prudence. Ne pas oublier qu'une fraction de seconde d'inattention peut entraîner des blessures graves.

AVERTISSEMENT :

Toujours porter une protection oculaire avec écrans latéraux certifiée conforme à la norme ANSI Z87.1. Si cette précaution n'est pas prise, des objets peuvent être projetés dans les yeux et causer des lésions graves.

AVERTISSEMENT :

Ne pas utiliser d'outils ou accessoires non recommandés pour cet outil. L'utilisation de pièces et accessoires non recommandés peut entraîner des blessures graves.

ATTENTION :

Une pression excessive sur une meule froide peut la briser.

UTILISATION

AVIS :

Ne jamais affûter ou meuler des pièces en aluminium, en laiton ou en cuivre.



AVERTISSEMENT :

Ne pas utiliser de lames dont la vitesse de rotation nominale est inférieure à celle de l'outil. Le non-respect de cet avertissement pourrait entraîner des blessures.

APPLICATIONS

Ce produit est conçu uniquement pour les applications suivantes :

- Affûtage de forets
- Affûtage de lames de tondeuse
- Affûtage de ciseaux et tournevis à lame plate

INTERRUPTEUR DE LAMPE DEL

Voir la figure 9, page 12.

Utiliser l'interrupteur de lampe DEL sur le dessus de l'assemblage d'écran protecteur pour allumer et fermer les lampes.

UTILISATION ÉLÉMENTAIRE

Pour être efficaces et fonctionner comme prévu, les outils doivent toujours être bien affûtés. Des outils émoussés peuvent causer un accident.

Les meuleuses d'établi sont idéales pour l'affûtage d'outils tels que ciseaux, lames de ciseaux, etc., ainsi que pour l'élimination de la rouille. Les meules mordent rapidement dans le matériau et la pression appliquée sur la pièce est déterminante de la qualité du résultat.

Pour affûter correctement un outil et éviter la surchauffe :

- L'outil doit être constamment maintenu en mouvement, à une allure régulière.
- Ne jamais forcer un outil contre la meule.

- Garder l'outil frais, en utilisant une cuvette remplie d'eau.
- La meule doit tourner « contre » l'objet affûté.

NOTE : Une pression excessive peut endommager l'outil, causer la surchauffe du moteur et user prématurément la meule.

INTERRUPTEUR MARCHÉ / ARRÊT

Voir la figure 10, page 12.

La meuleuse est dotée d'un interrupteur marche / arrêt ponté sur le devant pour la commodité et la sécurité d'utilisation.

AFFÛTAGE DE FORETS

Voir la figure 11, page 13.

Il est préférable d'affûter les forets avec un gabarit (en vente dans la plupart des quincailleries). Commencer par un côté de la pointe, puis tourner le foret en maintenant le contact avec la meule. N'affûter que la pointe.

Cette technique demande une certaine dextérité, il convient donc de prendre son temps et d'effectuer plusieurs essais avec la machine arrêtée. Veiller à conserver l'angle de coupe d'origine afin de maintenir l'efficacité du foret.

AFFÛTAGE DE LAMES DE TONDEUSE

Voir la figure 12, page 13.

En général, un seul côté des lames de tondeuse est affûté. L'autre côté est légèrement rectifié. Affûter les deux extrémités tranchantes de la lame. Une fois la lame affûtée, ne pas oublier de l'équilibrer en la meulant selon le besoin.

AVIS :

Une lame déséquilibrée peut causer des vibrations excessives causant des dommages à la tondeuse.

AFFÛTAGE DE CISEAUX ET TOURNEVIS À LAME PLATE

Voir la figure 13, page 13.

Le ciseau ou le tournevis doit reposer sur l'appui, à un angle correct par rapport à la meule.

ENTRETIEN

AVERTISSEMENT :

Utiliser exclusivement des pièces d'origine pour les réparations. L'usage de toute autre pièce pourrait créer une situation dangereuse ou endommager l'outil.

AVERTISSEMENT :

Toujours porter une protection oculaire avec écrans latéraux certifiée conforme à la norme ANSI Z87.1. Si cette précaution n'est pas prise, des objets peuvent être projetés dans les yeux et causer des lésions graves.

ENTRETIEN GÉNÉRAL

Éviter d'utiliser des solvants pour le nettoyage des pièces en plastique. La plupart des matières plastiques peuvent être endommagées par divers types de solvants du commerce. Utiliser un chiffon propre pour éliminer la saleté, la poussière, l'huile, la graisse, etc.

AVERTISSEMENT :

Ne jamais laisser de liquides tels que le fluide de freins, l'essence, les produits à base de pétrole, les huiles pénétrantes, etc., entrer en contact avec les pièces en plastique. Les produits chimiques peuvent endommager, affaiblir ou détruire le plastique, ce qui peut entraîner des blessures graves.

LUBRIFICATION

Tous les roulements de cet outil sont enduits d'une quantité suffisante de lubrifiant de haute qualité pour la durée de vie de l'outil, dans des conditions d'utilisation normales. Aucune autre lubrification n'est donc nécessaire.

REPLACEMENT DU CORDON D'ALIMENTATION

S'il y a lieu, le cordon d'alimentation doit être remplacé par un centre de réparation agréé afin d'éviter tout risque.

REPLACEMENT DE LA MEULE

Voir la figure 14, page 13.

Lors du remplacement, veiller à utiliser une meule dont la vitesse de rotation nominale est au moins égale à la vitesse « à vide » indiquée sur la plaquette signalétique de la tondeuse et conforme à la norme ANSI B7.1.

Pour remplacer une meule:

- Débrancher la meuleuse.
- Retirer les écrous à embase et les vis fixant le couvercle du protège-meule.
- Retirer le couvercle de protège-meule.
- Desserrer l'écrou de la meule en le tournant vers la droite du côté gauche, et vers la gauche du côté droit.
- Retirer le flasque extérieur et la meule.
- Pour installer la nouvelle meule, reprendre la procédure ci-dessus à l'inverse.

NOTE : S'assurer que la meule et le flasque extérieur sont correctement engagés sur l'axe.

INSTALLATION DE LA MEULE DE FIL (NON INCLUS)

Voir la figure 15, page 13.

En remplaçant la meule avec une meule de fil, c'est nécessaire de placer un plus entretoise sur broche avant d'installer la flasque intérieur, la meule, la flasque extérieure, et laécrou pour meule.

NOTE : ILLUSTRATIONS COMMENÇANT SUR 10 DE PAGE APRÈS LE SECTION ESPAGNOL.

REGLAS DE SEGURIDAD GENERALES



ADVERTENCIA

Lea y comprenda todas las instrucciones. El incumplimiento de las instrucciones señaladas abajo puede causar descargas eléctricas, incendios y lesiones corporales serias.

LEA TODAS LAS INSTRUCCIONES

- **FAMILIARÍCESE CON SU HERRAMIENTA ELÉCTRICA.** Lea cuidadosamente el manual del operador. Aprenda los usos, limitaciones y posibles peligros relacionados con esta herramienta.
- **PROTÉJASE CONTRA DESCARGAS ELÉCTRICAS EVITANDO TOCAR CON EL CUERPO SUPERFICIES CONECTADAS A TIERRA.** Por ejemplo, tubos, radiadores, estufas y cajas de refrigeradores.
- **MANTENGA LAS PROTECCIONES EN SU LUGAR** y en buenas condiciones de trabajo.
- **RETIRE TODA LLAVE Y HERRAMIENTA DE AJUSTE.** Adquiera el hábito de verificar que se haya retirado de la herramienta eléctrica toda llave y herramienta de ajuste antes de encenderla.
- **MANTENGA LIMPIA EL ÁREA DE TRABAJO.** Una mesa o área de trabajo mal despejada es causas común de accidentes. **NO** deje herramientas o piezas de madera en la esmeriladora de banco mientras esté funcionando.
- **NO UTILICE LA HERRAMIENTA EN ENTORNOS PELIGROSOS.** No utilice las herramientas eléctricas en lugares húmedos o mojados ni las esponja a la lluvia. Mantenga bien iluminada el área de trabajo.
- **MANTENGA ALEJADOS A LOS NIÑOS Y DEMÁS CIRCUNSTANTES.** Todos los presentes deben llevar puestos anteojos de seguridad y permanecer a una distancia segura del área de trabajo. No permita que ninguno de los presentes toque la herramienta eléctrica o el cordón de extensión mientras esté funcionando la unidad.
- **HAGA SU TALLER A PRUEBA DE NIÑOS** con candados, interruptores maestros y retirando las llaves de arranque.
- **NO FUERCE LA HERRAMIENTA.** Efectúa el trabajo mejor y de manera más segura, si se utiliza a la velocidad de avance para la que está diseñada.
- **USE LA HERRAMIENTA ADECUADA A LA TAREA.** No fuerce la herramienta ni ningún accesorio a efectuar tareas para las que no están hechos. No la use para propósitos no indicados en las instrucciones.
- **USE UN CORDÓN DE EXTENSIÓN ADECUADO.** Asegúrese de que esté en buen estado el cordón de extensión. Al utilizar un cordón de extensión sólo utilice uno del calibre suficiente para soportar la corriente que consume el producto. Un cordón de un grueso insuficiente causa una caída en el voltaje de línea, y produce recalentamiento y pérdida de potencia. Se recomienda que los conductores sean de calibre **16** (A.W.G.) por lo menos, para un cordón de extensión de 25 pies (7,6 metros) de largo o menos. Si tiene dudas, utilice un cordón del calibre más grueso siguiente. Cuanto menor es el número de calibre, mayor es el grueso del cordón.
- **USE ROPA ADECUADA.** No use ropa holgada, guantes flojos, corbata ni alhajas. Podrían engancharse y tirar de usted hacia

partes en movimiento. Si tiene el pelo largo, cúbralo para que quede recogido.

- **SIEMPRE PÓNGASE ANTEOJOS DE SEGURIDAD CON PROTECCIÓN LATERAL.** Los anteojos comunes sólo tienen lentes resistentes a los impactos, **NO** son anteojos de seguridad.
- **ASEGURE LA PIEZA DE TRABAJO.** Utilice prensas de mano o de banco para sujetar la pieza de trabajo cuando resulte práctico hacerlo. Es más seguro que utilizar la mano y deja ambas manos libres para manejar la herramienta.
- **NO TRATE DE ALCANZAR OBJETOS FUERA DE SU ALCANCE.** Mantenga los pies bien afirmados y el equilibrio en todo momento.
- **DÉ MANTENIMIENTO CONCUIDADO A LAS HERRAMIENTAS.** Mantenga afiladas y limpias las herramientas para obtener un desempeño mejor y más seguro de las mismas. Siga las instrucciones correspondientes al cambio y lubricación de accesorios.
- **DESCONECTE LAS HERRAMIENTAS.** Todas las herramientas deben desconectarse antes de darles servicio, cuando no estén usándose, o al cambiarles aditamentos, muelas abrasivas, etc.
- **EVITE UN ARRANQUE ACCIDENTAL DE LA UNIDAD.** Asegúrese de que el interruptor esté en la posición de apagado antes de conectar la clavija de cualquier herramienta.
- **USE ACCESORIOS RECOMENDADOS.** Consulte este manual del propietario, donde aparecen los accesorios recomendados. El empleo de accesorios inadecuados puede presentar riesgos de lesiones.
- **NO SE PARE NUNCA EN LA HERRAMIENTA.** Pueden producirse lesiones serias si se vuelca la herramienta eléctrica o se toca la herramienta de corte accidentalmente.
- **INSPECCIONE LAS PIEZAS DAÑADAS.** Antes de seguir utilizando la herramienta, es necesario inspeccionar cuidadosamente toda protección o pieza dañada para determinar si funcionará correctamente y desempeñará la función a la que está destinada. Verifique la alineación de las partes móviles, que no haya atoramiento de partes móviles, que no haya piezas rotas, el montaje de las piezas y cualquier otra condición que pudiera afectar su funcionamiento. Toda protección o pieza que esté dañada debe repararse apropiadamente o reemplazarse en un centro de servicio autorizado.
- **NUNCA DEJE FUNCIONANDO DESATENDIDA LA HERRAMIENTA. APAGUE LA CORRIENTE.**
- **PROTÉJASE LOS PULMONES.** Use una careta o mascarilla contra el polvo si la operación de esmerilado genera mucho polvo.
- **PROTÉJASE EL OÍDO.** Durante períodos prolongados de utilización de la unidad póngase protección para los oídos.
- **NO MALTRATE EL CORDÓN ELÉCTRICO.** Nunca tire del cordón para desconectarlo del receptáculo. Mantenga el cordón eléctrico alejado del calor, del aceite y de los bordes afilados.
- **UTILICE CORDONES DE EXTENSIÓN PARA USO EN EL EXTERIOR.** Al utilizar la herramienta en el exterior, sólo use cordones de extensión con conexión a tierra aprobada apropiados para uso en el exterior y marcados para tal tipo de uso.

REGLAS DE SEGURIDAD GENERALES

- **LAS MUELAS ABRASIVAS CONTINÚAN GIRANDO POR INERCIA DESPUÉS DE APAGARSE LA UNIDAD.**
- **NUNCA UTILICE LA UNIDAD EN UNA ATMÓSFERA EXPLOSIVA.** El chispeo normal del motor podría encender los gases presentes.
- **NO UTILICE LA HERRAMIENTA SI EL INTERRUPTOR NO ENCIENDE O NO APAGA.** Lleve todo interruptor defectuoso a un centro de servicio autorizado para que lo reparen.
- **INSPECCIONE PERIÓDICAMENTE LOS CORDONES ELÉCTRICOS DE LAS HERRAMIENTAS.** Si se daña la herramienta, permita que la repare un técnico calificado en un centro de servicio autorizado. El conductor con aislamiento que tiene una superficie exterior verde con o sin tiras amarillas es el conductor de conexión a tierra del equipo. Si es necesaria la reparación o reemplazo del cordón eléctrico o de la clavija, no conecte el conductor de conexión a tierra a una terminal portadora de corriente. Repare o reemplace de inmediato todo cordón dañado o gastado. Siempre esté consciente de la ubicación del cordón y manténgalo bien alejado de las muelas abrasivas en movimiento de giro.
- **INSPECCIONE PERIÓDICAMENTE LOS CORDONES DE EXTENSIÓN** y reemplácelos si están dañados.
- **SÓLO UTILICE MUELAS ABRASIVAS ADECUADAS.** No use muelas con agujero de un tamaño incorrecto. Nunca utilice arandelas ni pernos de la muela abrasiva dañados o inadecuados. El máximo diámetro de muela abrasiva aceptado por la esmeriladora es 152 mm (6 pulg.).
- **NUNCA TOQUE LA HOJA** ni ninguna otra pieza en movimiento durante el funcionamiento de la unidad.
- **NUNCA ARRANQUE LA HERRAMIENTA CUANDO LA PIEZA GIRATORIA CORRESPONDIENTE ESTÉ TOCANDO LA PIEZA DE TRABAJO.**
- **NO UTILICE NINGUNA HERRAMIENTA SI SE ENCUENTRA BAJO LOS EFECTOS DE DROGAS, ALCOHOL O MEDICAMENTOS.**
- **AL DAR SERVICIO** a la unidad, sólo utilice piezas de repuesto idénticas. El empleo de piezas diferentes puede causar un peligro o dañar el producto.
- **SOLAMENTE UTILICE ACCESORIOS** señalados en este manual o en los apéndices. El uso de accesorios no señalados en este manual puede presentar riesgos de lesiones corporales. Con los accesorios se incluyen instrucciones para el uso seguro de los mismos.
- **REVISE DOS VECES TODA CONFIGURACIÓN DE LA HERRAMIENTA.** Asegúrese de que la muela abrasiva esté apretada y de que no toque la pieza de trabajo antes de conectar la unidad al suministro de corriente.
- **CONECTE A TIERRA TODA HERRAMIENTA ELÉCTRICA.** Si la herramienta está provista de una clavija de tres puntas, debe conectarse en un enchufe eléctrico de tres polos.
- **CONSULTE A UN ELECTRICISTA CALIFICADO** o técnico de servicio si no ha comprendido completamente las instrucciones de conexión a tierra o si no está seguro de que la herramienta está bien conectada a tierra.
- **USE SOLAMENTE LOS DISPOSITIVOS ELÉCTRICOS CORRECTOS:** cables de extensión de 3 conductores, con clavijas de tres puntas y contactos de tres polos que acepten la clavija del cable de la herramienta.
- **NO MODIFIQUE** la clavija suministrada. Si no entra en la toma de corriente, llame a un electricista calificado para que instale una toma de corriente adecuada.

REGLAS DE SEGURIDAD ESPECÍFICAS




- **ATORNILLE FIRMEAMENTE LA ESMERILADORA DE BANCO DE TRABAJO O PEDESTAL DE PATAS** aproximadamente a la altura de la cadera.
- **NUNCA** trate de estirarse para levantar una pieza de trabajo, un trozo de desecho o cualquier cosa que esté en el trayecto de esmerilado de la muela abrasiva, o cerca de la misma.
- **EVITE OPERACIONES Y POSICIONES EXTRAÑAS DE LAS MANOS** en las cuales un deslizamiento rápido pudiera causar que la mano tocara la muela. **SIEMPRE** asegúrese de estar en una postura equilibrada.
- **NUNCA** se pare ni tenga ninguna parte del cuerpo en línea con la trayectoria de la muela.
- **NO ENCIENDA Y APAGUE CON RAPIDEZ EL INTERRUPTOR.** Esto podría causar el aflojamiento de la muela y el consiguiente peligro. Si esto llegara a ocurrir, aléjese y permita que se detenga completamente la muela. Desconecte la esmeriladora del suministro de corriente y vuelva a apretar firmemente el perno de la muela abrasiva.
- **SÓLO UTILICE LAS BRIDAS** suministradas con esta esmeriladora de banco.
- **SI CUALQUIER PIEZA DE ESTA ESMERILADORA ESTÁ FALTANTE**, rota, doblada o funciona mal de cualquier forma, o si cualquier componente eléctrico de la misma no funciona debidamente, apague el interruptor de corriente, retire la clavija del suministro de corriente y llame a un técnico para que reemplace toda pieza dañada, faltante o defectuosa antes de reanudar el trabajo.
- **NO APRIETE EXCESIVAMENTE LA TUERCA DE LA MUELA ABRASIVA.** Un apriete excesivo puede originar rajaduras en la muela abrasiva durante el funcionamiento de la unidad.
- **SIEMPRE USE LAS PROTECCIONES Y LOS PROTECTORES DE SEGURIDAD DE LAS MUELAS ABRASIVAS DE LA ESMERILADORA.**
- **INSPECCIONE LA MUELA ABRASIVA** para ver si tiene defectos visibles. Revise la muela abrasiva para ver si tiene fisuras o rajaduras, y pruébela antes de usarlo para verificar que funcione normalmente. Cambie de inmediato la muela si está dañada.

REGLAS DE SEGURIDAD ESPECÍFICAS







- **AJUSTE** la distancia existente entre la muela abrasiva y el apoyo de la pieza de trabajo para mantener una separación de 1,6 mm (1/16 pulg.) O menos a medida que el diámetro de la muela disminuya con el uso. La separación empleada debe ser la recomendada por el fabricante, pero debe ser no mayor de 3,2 mm (1/8 pulg.).
- **SIEMPRE MUEVA SUAVEMENTE LA PIEZA DE TRABAJO HACIA LA MUELA ABRASIVA** al iniciar el esmerilado. Un impacto fuerte puede romper la muela. Aplique una presión muy leve al iniciar el esmerilado; demasiada presión en la muela si ésta está fría puede originar rajaduras en la misma.
- **RIESGO DE LESIONES SI SE ENCIENDE ACCIDENTALMENTE.** No se use en lugares donde haya niños presentes.
- **NUNCA ENCIENDA LA ESMERILADORA** cuando la muela abrasiva esté tocando la pieza de trabajo.
- **ASEGURE LA PIEZA DE TRABAJO.** Siempre mantenga firmemente la pieza de trabajo puesta contra el apoyo correspondiente.
- **NO USE LA ESMERILADORA DE BANCO** si la tuerca de brida o la tuerca de sujeción faltan, o si está doblado el eje del husillo.
- **LIMPIE FRECUENTEMENTE** el polvo de esmerilado acumulado abajo de la esmeriladora.
- **RECÓJASE EL CABELLO LARGO**, de manera que le quede arriba del nivel de los hombros para evitar que se enrede en las piezas rotatorias.
- **PERMANEZCA ALERTA Y EN CONTROL.** Preste atención a lo que esté haciendo y aplique el sentido común. **NO** utilice la herramienta cuando esté cansado. **NO** se apresure.
- **DO TOQUE** el material cortado sin haberlo dejado enfriarse, ya que puede quemarse.
- **SI ESTÁ DAÑADO EL CORDÓN DE CORRIENTE**, debe ser reemplazado únicamente por el fabricante o en un centro de servicio autorizado para evitar riesgos.
- **ASEGÚRESE DE QUE LA ESMERILADORA ESTÉ FIRMEMENTE MONTADA** de la forma descrita en las instrucciones de armado antes de conectar la herramienta a un suministro de corriente.
- **GUARDE ESTAS INSTRUCCIONES.** Consúltelas con frecuencia y empléelas para instruir a otros usuarios de la herramienta. Si presta a alguien esta herramienta, facilítele también las instrucciones.

SÍMBOLOS

Las siguientes palabras de señalización y sus significados tienen el objeto de explicar los niveles de riesgo relacionados con este producto.

SÍMBOLO	SEÑAL	SIGNIFICADO
	PELIGRO:	Indica una situación peligrosa, la cual, si no se evita, causará la muerte o lesiones serias.
	ADVERTENCIA:	Indica una situación peligrosa, la cual, si no se evita, podría causar la muerte o lesiones serias.
	PRECAUCIÓN:	Indica una situación peligrosa, la cual, si no se evita, podría causar lesiones menores o leves.
	AVISO:	(Sin el símbolo de alerta de seguridad) Indica la información que se considera importante, pero no relacionada con lesiones potenciales (por ej. en relación a daños a la propiedad).

Es posible que se empleen en este producto algunos de los siguientes símbolos. Le suplicamos estudiarlos y aprender su significado. Una correcta interpretación de estos símbolos le permitirá utilizar mejor y de manera más segura el producto.

SÍMBOLO	NOMBRE	DENOMINACIÓN/EXPLICACIÓN
	Alerta de seguridad	Indica un peligro posible de lesiones personales.
	Lea el manual del operador	Para reducir el riesgo de lesiones, el usuario debe leer y comprender el manual del operador antes de usar este producto.
	Protección ocular	Siempre póngase protección ocular con protección lateral con la marca de cumplimiento de la norma ANSI Z87.1.
	Alerta de condiciones húmedas	No exponga la unidad a la lluvia ni la use en lugares húmedos.
	Símbolo de no acercar las manos	Si no mantiene las manos alejadas de la hoja de corte, se causará serias lesiones corporales.
	Superficie caliente	Para reducir el riesgo de lesiones corporales o daños materiales evite tocar toda superficie caliente.
V	Volts	Voltaje
A	Amperes	Corriente
Hz	Hertz	Frecuencia (ciclos por segundo)
W	Watt	Potencia
min	Minutos	Tiempo
~	Corriente alterna	Tipo de corriente
n_0	Velocidad en vacío	Velocidad de rotación, en vacío
.../min	Por minuto	Revoluciones, carreras, velocidad superficial, órbitas, etc., por minuto

ASPECTOS ELÉCTRICOS

CORDONES DE EXTENSIÓN

Sólo utilice cordones de extensión de 3 conductores con clavijas de tres patillas y receptáculos de tres polos que acepten la clavija del cordón de la herramienta. Al utilizar una herramienta eléctrica a una distancia considerable del suministro de corriente, asegúrese de utilizar un cordón de extensión del grueso suficiente para soportar el consumo de corriente de la herramienta. Un cordón de extensión de un grueso insuficiente causa una caída en el voltaje de línea, además de producir una pérdida de potencia y un recalentamiento del motor. Básese en la tabla suministrada abajo para determinar el calibre mínimo requerido de los conductores del cordón de extensión. Solamente deben utilizarse cordones con forro redondo registrados en Underwriter's Laboratories (UL).

**Amperaje (aparece en la placa frontal)

Longitud del cordón	Calibre conductores (A.W.G.)					
	0-2.0	2.1-3.4	3.5-5.0	5.1-7.0	7.1-12.0	12.1-16.0
25'	16	16	16	16	14	14
50'	16	16	16	14	14	12
100'	16	16	14	12	10	—

**Se usa en los circuitos de calibre 12, 20 amp.

NOTA: AWG = Calibre conductores norma americana

Al trabajar a la intemperie con el producto, utilice un cordón de extensión fabricado para uso en el exterior. Tal característica está indicada con las letras "W-A" o "W" en el forro del cordón.

Antes de utilizar un cordón de extensión, inspecciónelo para ver si tiene conductores flojos o expuestos y aislamiento cortado o gastado.

ADVERTENCIA:

Mantenga el cordón de extensión fuera del área de trabajo. Al trabajar con una herramienta eléctrica, coloque el cordón de tal manera que no pueda enredarse en la madera, herramientas ni en otras obstrucciones. La inobservancia de esta advertencia puede causar lesiones serias.

ADVERTENCIA:

Inspeccione los cordones de extensión cada vez antes de usarlos. Si están dañados reemplácelos de inmediato. Nunca utilice la herramienta con un cordón dañado, ya que si toca la parte dañada puede producirse una descarga eléctrica, y las consecuentes lesiones serias.

CONEXIÓN ELÉCTRICA

Esta herramienta está impulsada por un motor eléctrico fabricado con precisión. Debe conectarse únicamente a una línea de voltaje de 120 V, de corriente alterna solamente (corriente normal para uso doméstico), 60 Hz. No utilice esta herramienta con corriente continua (c.c.). Una caída considerable de voltaje causa la pérdida de potencia y el recalentamiento del motor. Si la sierra no funciona al conectarla en una toma de corriente, vuelva a revisar el suministro de corriente.

VELOCIDAD Y CABLEADO

La velocidad en vacío de este producto es de 3 600 rpm aproximadamente. Esta velocidad no es constante y disminuye durante el corte o con un voltaje bajo. En cuanto al voltaje, el cableado de un taller es tan importante como la potencia nominal del motor. Una línea destinada sólo para luces no puede alimentar el motor de una herramienta eléctrica. El cable con el calibre suficiente para una distancia corta será demasiado delgado para una mayor distancia. Una línea que alimenta una herramienta eléctrica quizá no sea suficiente para alimentar dos o tres herramientas.

INSTRUCCIONES DE CONEXIÓN A TIERRA

Vea la figura 1, página 11.

Este producto debe conectarse a tierra. En caso de un mal funcionamiento o desperfecto, la conexión a tierra brinda a la corriente eléctrica una trayectoria de mínima resistencia para disminuir el riesgo de una descarga eléctrica. Esta herramienta está equipada de un cordón eléctrico con un conductor y una clavija de conexión a tierra para equipo. La clavija debe conectarse en una toma de corriente igual que esté instalada y conectada a tierra correctamente, de conformidad con los códigos y reglamentos de la localidad.

No modifique la clavija suministrada. Si no entra en la toma de corriente, llame a un electricista calificado para que instale una toma de corriente adecuada.

ADVERTENCIA:

Si se conecta de forma incorrecta el conductor de conexión a tierra del equipo puede presentarse un riesgo de descarga eléctrica. Si es necesaria la reparación o reemplazo del cordón eléctrico o de la clavija, no conecte el conductor de conexión a tierra a una terminal portadora de corriente. El conductor con aislamiento que tiene una superficie exterior verde con o sin tiras amarillas es el conductor de conexión a tierra del equipo.

Consulte a un electricista calificado o técnico de servicio si no ha comprendido completamente las instrucciones de conexión a tierra o si no está seguro si la herramienta está bien conectada a tierra. Repare o reemplace de inmediato todo cordón dañado o gastado. Este producto se debe usar con un circuito de 120 V nominales y tiene una clavija de conexión a tierra similar a la clavija que se muestra en la figura 1, página 11. Conecte el producto únicamente a una toma de corriente que tenga la misma configuración que la clavija. No use un adaptador con este producto.

CARACTERÍSTICAS

ESPECIFICACIONES

Diámetro de la muela 152 mm (6 pulg.)
Espesor de la muela..... 19 mm (3/4 pulg.)
Orificio del árbol 13 mm (1/2 pulg.)

Velocidad en vacío 3 600 r/min (RPM)
Corriente de entrada 120 V~, 2,1 A, 60 Hz,

ARMADO

DESEMPAQUETADO

Este producto requiere armarse.

- Extraiga cuidadosamente de la caja la herramienta y los accesorios. Asegúrese de que estén presentes todos los artículos enumerados en la piezas sueltas.



ADVERTENCIA:

No utilice este producto si alguna pieza incluida en la lista de piezas sueltas ya está ensamblada al producto cuando lo desempaqueta. El fabricante no ensambla las piezas de esta lista en el producto. Éstas deben ser instaladas por el usuario. El uso de un producto que puede haber sido ensamblado de forma inadecuada podría causar lesiones personales graves.

- Inspeccione cuidadosamente la herramienta para asegurarse de que no haya sufrido ninguna rotura o daño durante el transporte.
- No deseche el material de empaquetado hasta que haya inspeccionado cuidadosamente la herramienta y la haya utilizado satisfactoriamente.
- Si hay alguna pieza dañada o faltante, llame al 1-800-525-2579, donde le brindaremos asistencia.



ADVERTENCIA:

Si hay piezas dañadas o faltantes, no utilice esta producto sin haber reemplazado todas las piezas. Usar este producto con partes dañadas o faltantes puede causar lesiones serias al operador.



ADVERTENCIA:

No intente modificar esta herramienta ni hacer accesorios no recomendados para la misma. Cualquier alteración o modificación constituye maltrato el cual puede causar una condición peligrosa, y como consecuencia posibles lesiones corporales serias.



ADVERTENCIA:

No conecte la unidad al suministro de corriente sin haber terminado de armarla. De lo contrario la unidad puede ponerse en marcha accidentalmente, con el consiguiente riesgo de lesiones corporales serias.



ADVERTENCIA:

Siempre gire con la mano la muela abrasiva antes de encender la esmeriladora para asegurarse de que el deflector de chispas no toque la muela.

HERRAMIENTAS NECESARIAS

Veja la figura 2, página 11.

Para armar la unidad se necesitan las siguientes herramientas (no incluido o dibujado para escalar):

- Llave ajustable
- Destornillador phillips

LISTA DE PIEZAS SUELTAS

Veja la figura 3, página 11.

Los siguientes accesorios vienen incluidos con la herramienta:

- Tornillo..... 4
- Arandela 4
- Arandela de fijación..... 4
- Protector parachispas 1
- Perno de carrocería..... 2
- Perilla de apoyo de la pieza de trabajo 2
- Apoyo de la pieza de trabajo izquierdo..... 1
- Apoyo de la pieza de trabajo derecha 1
- Protector parachispas con lupa 1
- Deflector de chispas con diodo luminiscente 2
- Separador..... 1
- Baterías (AAA) 4

CONEXIÓN DEL PROTECTOR PARACHISPAS CON EL DEFLECTOR DE CHISPAS CON LUCES LED

Veja la figura 4, página 12.

- Sostenga el perno y gire la perilla del protector parachispas en sentido antihorario para aflojarlo.
- Quite el perno y la perilla del protector parachispas.
- Coloque el protector parachispas en el conjunto del deflector de chispas con luces LED. Alinee los orificios del protector parachispas con los orificios del conjunto del deflector de chispas con luces LED.
- Instale el perno a través de los orificios del conjunto del deflector de chispas con luces LED y del protector parachispas.

ARMADO

NOTA: Oriente el perno de modo que la cabeza del perno se ubique en el área empotrada del protector parachispas.

- Vuelva a instalar la perilla del protector parachispas en el perno. Apriete firmemente.

MONTAJE DEL CONJUNTO DEL DEFLECTOR DE CHISPAS

Vea la figura 5, página 12.

- Conecte el conjunto del protector parachispas a la protección de la muela usando dos tornillos, arandelas y arandelas de retención.
- Apriete firmemente los tornillos.
- Repita los pasos anteriores para el conjunto del deflector de chispas restante.

NOTA: El conjunto del protector parachispas se puede instalar en cualquier lado de la herramienta. Para las operaciones de esmerilado detallada, se recomienda colocar el protector parachispas con lupa en el lado derecho arriba del muela abrasiva más fina.

MONTAJE DEL APOYO DE LA PIEZAS DE TRABAJO

Vea la figura 6, página 12.

- Destornille y retire del perilla de apoyo de la pieza de trabajo del perno de carrocería.
- Conectar el apoyo de la pieza de trabajo derecha al dentro del protección para la muela como se muestra.

NOTA: Ajuste la distancia existente entre la muela y el apoyo de la pieza de trabajo derecha para mantener una separación de 1/16 pulg. o menos a medida que el diámetro de la muela disminuya con el uso.

- Apriete firmemente la perilla de apoyo de la pieza de trabajo.
- Repita los pasos anteriores para el apoyo de la pieza de trabajo izquierdo.

CÓMO INSTALAR Y RETIRAR LA BATERÍAS

Vea la figura 7, página 12.

Siempre coloque el interruptor de encendido/apagado en la posición de apagado cuando instale las baterías.

- Quite la tapa del compartimiento para baterías del conjunto del protector parachispas.
- Instale las baterías AAA según los indicadores de polaridad (+ o -) en los compartimientos para baterías.
- Vuelva a colocar y asegure la tapa del compartimiento para baterías.

MONTAJE DE LA ESMERILADORA EN UN BANCO DE TRABAJO

Vea la figura 8, página 12.

La esmeriladora en un banco debe montarse en una superficie de apoyo firme, como un banco de trabajo o en un pedestal de patas. Hay cuatro agujeros para perno en la base de la sierra para este fin. Cada uno de los cuatro agujeros de montaje debe estar firmemente atornillado con pernos de máquina, arandelas de seguridad y tuercas hexagonales (no vienen incluidos). Los pernos deben tener la longitud suficiente para dar acomodo a la base de la sierra, las arandelas de seguridad, las tuercas hexagonales y el espesor del banco de trabajo. Apriete firmemente los cuatro pernos.

Después del montaje revise cuidadosamente el banco de trabajo para asegurarse de que no haya ocurrido ningún desplazamiento. Si el banco de trabajo se inclina, desliza o camina, asegúrelo al piso antes de utilizar la unidad.



ADVERTENCIA:

Siempre asegúrese de que la esmeriladora de banco esté firmemente montada en un banco de trabajo. De lo contrario puede producirse un accidente, con el consiguiente riesgo de lesiones corporales serias.



ADVERTENCIA:

No permita que su familiarización con las herramientas lo vuelva descuidado. Tenga presente que un descuido de un instante es suficiente para infligir una lesión grave.



ADVERTENCIA:

No use ningún aditamento o accesorio no recomendado por el fabricante de esta herramienta. El empleo de aditamentos o accesorios no recomendados podría causar lesiones serias.



ADVERTENCIA:

Siempre póngase protección ocular con protección lateral con la marca de cumplimiento de la norma ANSI Z87.1. Si no cumple esta advertencia, los objetos que salen despedidos pueden producirle lesiones serias en los ojos.



PRECAUCIÓN:

Si se aplica presión excesiva en la muela al estar ésta fría, puede causarse la formación de rajaduras.

FUNCIONAMIENTO

FUNCIONAMIENTO

AVISO:

Nunca afile ni esmerile nada hecho de aluminio, bronce o cobre.



ADVERTENCIA:

No utilice hojas con una velocidad nominal inferior a la de esta herramienta. La inobservancia de esta advertencia podría causar lesiones.

APLICACIONES

Este producto ha sido diseñado sólo para los fines enumerados abajo:

- Afilado de brocas
- Afilado de cuchillas de podadoras de pasto
- Afilado de cinceles y destornilladores de punta plana

INTERRUPTOR DE DIODO LUMINISCENTE

Vea la figura 9, página 12.

Use el interruptor de diodo luminiscente en el conjunto del deflector de chispas para encender o apagar las luces.

FUNCIONAMIENTO BÁSICO

Para ser eficientes y funcionar según su diseño, las herramientas deben mantenerse afiladas. Las herramientas desafiladas pueden causar accidentes.

Las esmeriladoras de banco son ideales para afilar herramientas como los cinceles, tijeras, etc., y para eliminar óxido y corrosión. Las esmeriladoras eliminan material rápidamente, de manera que una presión adecuada es vital para lograr un esmerilado correcto.

La forma correcta de afilar una herramienta y de evitar el recalentamiento de la misma es la siguiente:

- Mantenga el objeto en movimiento constante, moviéndolo a un paso uniforme.
- Nunca fuerce una herramienta contra la muela abrasiva.

- Mantenga fría la herramienta utilizando una cazuela de agua.
- La muela abrasiva debe girar hacia lo que esté afilándose.

NOTA: Una presión excesiva puede dañar la herramienta, recalentar el motor y gastar prematuramente la muela abrasiva.

INTERRUPTOR DE ENCENDIDO/APAGADO

Vea la figura 10, página 12.

La esmeriladora de banco dispone de un interruptor de corriente frontal para mayor conveniencia y seguridad.

AFILADO DE BROCAS HELICOIDALES

Vea la figura 11, página 13.

Las brocas se afilan mejor con un aditamento de afilar (se encuentran en la mayoría de las ferreterías). Comience por un lado de la punta, al ángulo correcto, y luego gire la broca manteniendo el contacto con la superficie abrasiva. Afile sólo la punta.

Esta técnica requiere una cantidad considerable de práctica, de manera que debe tomarse tiempo y efectuar algunas "pasadas en seco", con la esmeriladora apagada. Asegúrese de mantener el ángulo correcto del filo de corte, ya que es muy importante para la eficiencia de corte de las brocas.

AFILADO DE LAS CUCHILLAS DE PODADORAS DE PASTO

Vea la figura 12, página 13.

Las cuchillas de las podadoras de pasto se afilan normalmente por un lado y se asienta levemente el filo por el otro lado. Sujete ambos lados de corte de la cuchilla a este proceso de afilado. Después del afilado, asegúrese de equilibrar la cuchilla; para ello, elimine material adicional según se requiera.

AVISO:

Una cuchilla desequilibrada puede causar una vibración excesiva, lo cual puede dañar la podadora de pasto.

AFILADO DE CINCELES Y DESTORNILLADORES

Vea la figura 13, página 13.

Al afilar cinceles y destornilladores, el apoyo de la pieza de trabajo debe soportar el cincel al ángulo correcto contra la muela abrasiva.

MANTENIMIENTO



ADVERTENCIA:

Al dar servicio a la unidad, sólo utilice piezas de repuesto idénticas. El empleo de piezas diferentes puede causar un peligro o dañar el producto.



ADVERTENCIA:

Siempre póngase protección ocular con protección lateral con la marca de cumplimiento de la norma ANSI Z87.1. Si no cumple esta advertencia, los objetos que salen despedidos pueden producirle lesiones serias en los ojos.

MANTENIMIENTO GENERAL

Evite el empleo de solventes al limpiar piezas de plástico. La mayoría de los plásticos son susceptibles a diferentes tipos de solventes comerciales y pueden resultar dañados. Utilice paños limpios para eliminar la suciedad, el polvo, el aceite, la grasa, etc.



ADVERTENCIA:

No permita en ningún momento que fluidos para frenos, gasolina, productos a base de petróleo, aceites penetrantes, etc., lleguen a tocar las piezas de plástico. Los productos químicos pueden dañar, debilitar o destruir el plástico, lo cual puede causar lesiones serias.

LUBRICACIÓN

Todos los cojinetes de esta herramienta están lubricados con suficiente cantidad de aceite de alta calidad para toda la vida útil de la unidad en condiciones normales de funcionamiento. Por lo tanto, no se necesita lubricación adicional.

REEMPLAZO DEL CORDÓN DE CORRIENTE

Un centro de servicio autorizado deben cambiar el cordón de corriente, en caso de que sea necesario, para evitar peligros.

REEMPLAZO DE LAS MUELAS ABRASIVAS

Vea la figura 14, página 13.

Si necesita reemplazar una muela abrasiva, asegúrese de obtener una con una velocidad nominal segura, por lo menos tan alta como la “velocidad en vacío” marcada en la placa de datos de la esmeriladora, y con la marca de cumplimiento de la norma ANSI B7.1.

Para reemplazar la muela abrasiva:

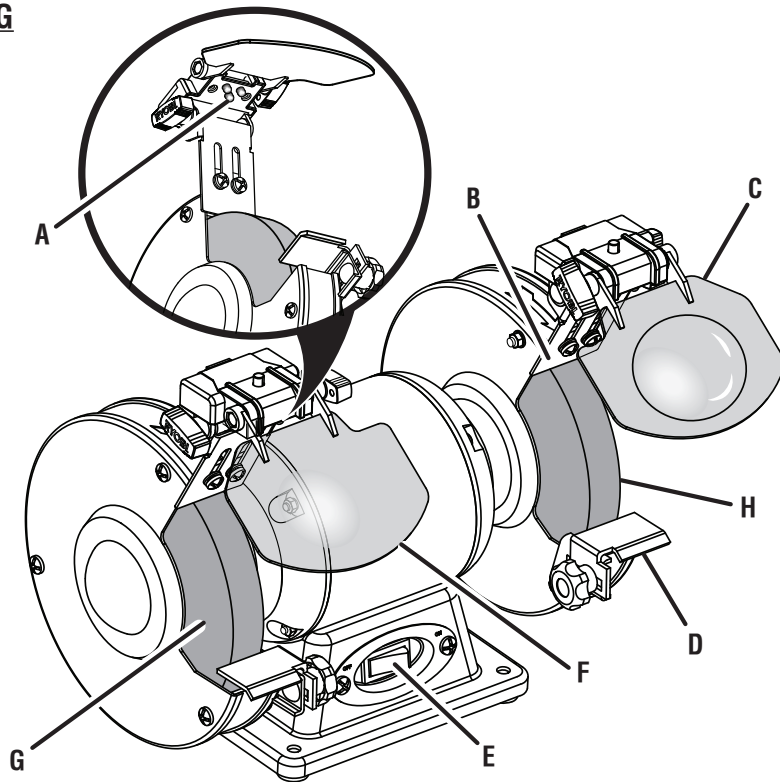
- Desconecte la esmeriladora.
- Quite las tuercas de brida y los tornillos que fijan la cubierta de la protección de la muela.
- Retire la cubierta de la protección de la muela.
- Retire la arandela exterior y la muela abrasiva.
- Para instalar una nueva muela abrasiva, aplique en sentido inverso el proceso descrito arriba.

NOTA: Asegúrese de que la muela abrasiva y la brida exterior estén debidamente asentadas en el eje del husillo.

INSTALACIÓN DE MUELAS DE ALAMBRA (NO INCLUIDA)

Vea la figura 15, página 13.

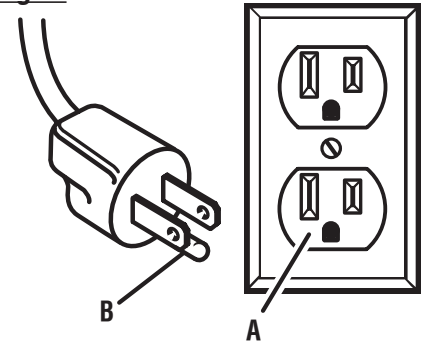
Al reemplazar la muela de amolar con una de alambre, es necesario para colocar un separador en el eje del de instalar el brida interior, antes de la muela, antes de brida exterior, y antes de tuerca de muela.



- A - LED light (lampe à DEL, diodo lumineux)
- B - Spark deflector (pare-étincelles, deflector de chispas)
- C - Spark shield with magnifier (écran protecteur avec loupe, protector parachispas con lupa)
- D - Work rest (appui, apoyo de la pieza de trabajo)

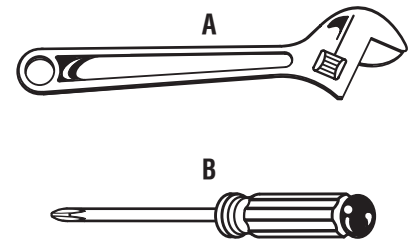
- E - On/Off switch (interrupteur marche/arrêt, interruptor de encendido/apagado)
- F - Spark shield (écran protecteur, protector parachispas)
- G - Coarse grit wheel (meule de grain gros, muela de grano grueso)
- H - Fine grit wheel (meule de grain fin, muela de grano fino)

Fig. 1



- A - 120 V grounded outlet (prise secteur 120 V mise à la terre, toma de corriente con tierra, de 120 V)
- B - Grounding pin (broche de mise à la terre, patilla de conexión a tierra)

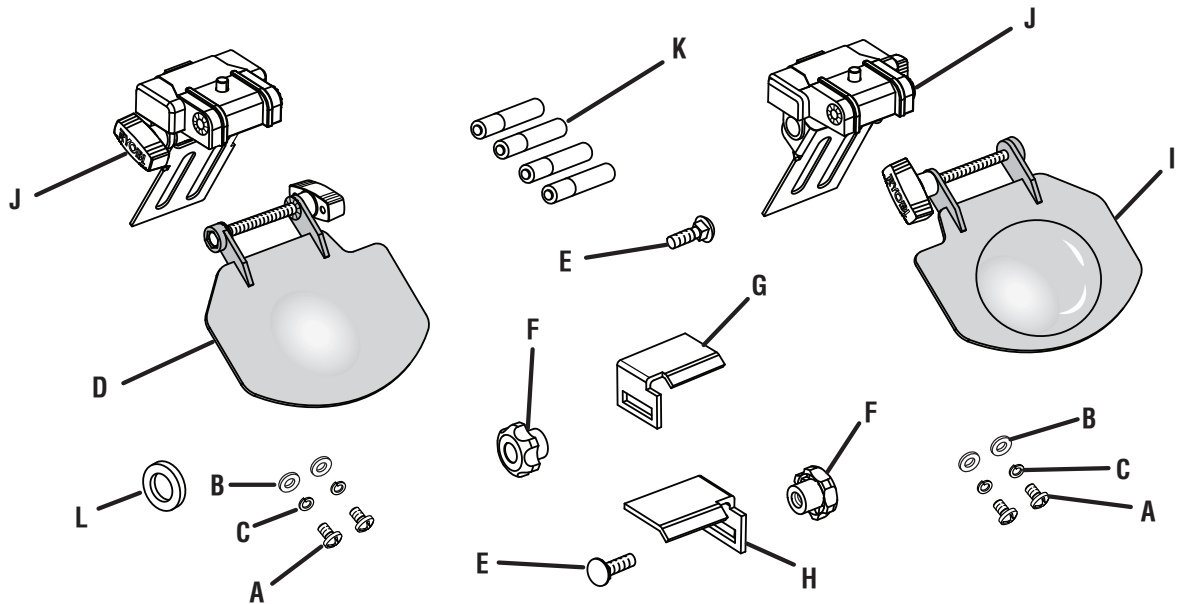
Fig. 2



- A - Adjustable wrench (clé à molette, llave ajustable)
- B - Phillips screwdriver (tournevis phillips, destornillador phillips)

Fig. 3

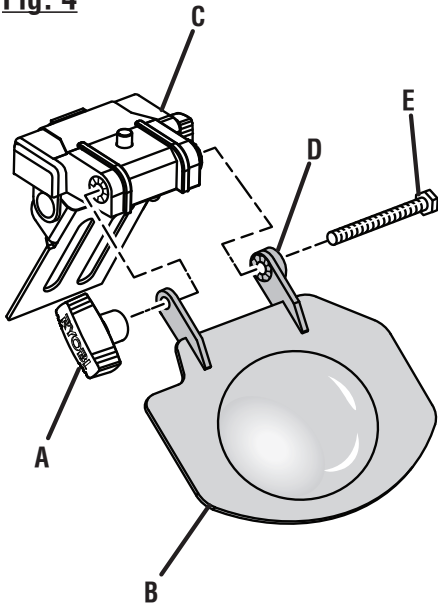
LOOSE PARTS / PIÈCES DÉTACHÉES / PIEZAS SUeltas



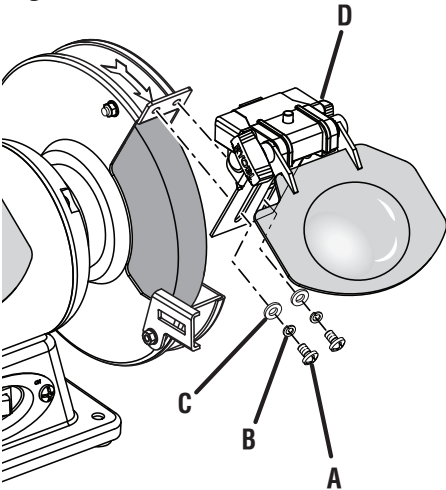
- A - Screw (vis, tornillo)
- B - Washer (rondelle, arandela)
- C - Lock washer (rondelle de blocage, arandela de fijación)
- D - Spark shield (écran protecteur, protector parachispas)
- E - Carriage bolt (boulon à collet carré, perno de carrocería)

- F - Work rest knob (bouton du appui, perilla de apoyo de la pieza de trabajo)
- G - Right work rest (appui droite, apoyo de la pieza de trabajo derecha)
- H - Left work rest (appui gauche, apoyo de la pieza de trabajo izquierdo)

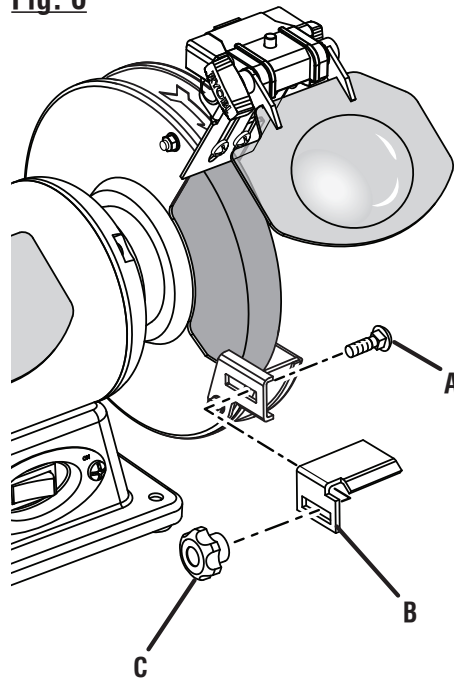
- I - Spark shield with magnifier (écran protecteur avec loupe, protector parachispas con lupa)
- J - Spark deflector with LED (pare-étincelles avec DEL, deflector de chispas con diodo lumineux)
- K - Batteries (AAA) [piles (AAA), baterías (AAA)]
- L - Spacer (entretoise, separador)

Fig. 4

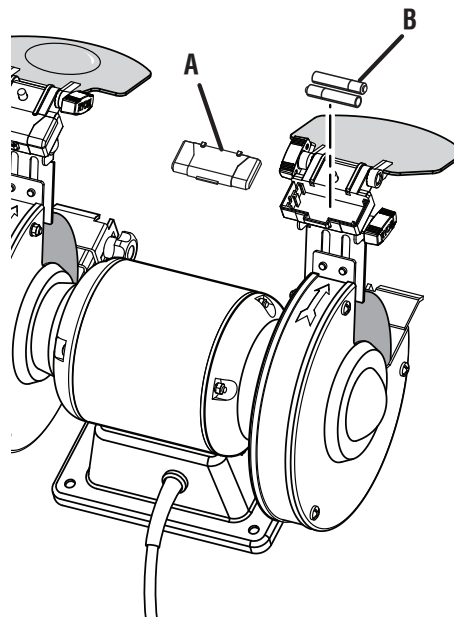
- A - Spark shield knob (bouton de l'écran protecteur, perilla del protector parachispas)
- B - Spark shield with magnifier (écran protecteur avec loupe, protector parachispas con lupa)
- C - Spark deflector with LED assembly (pare-étincelles avec DEL, deflector de chispas con diodo luminescente)
- D - Recessed area (zone en retrait, área empotrada)
- E - Bolt (boulon, perno)

Fig. 5

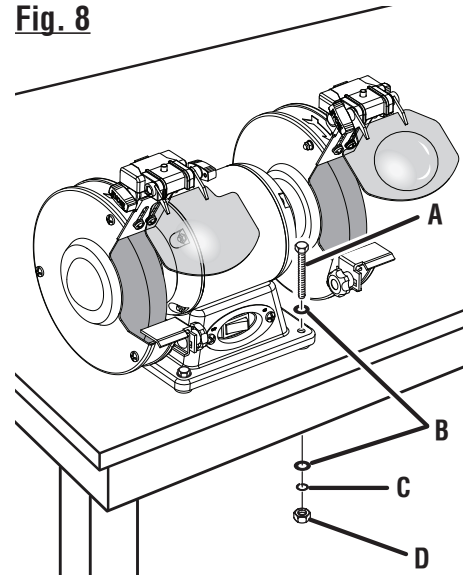
- A - Screw (vis, tornillo)
- B - Lock washer (rondelle de blocage, arandela de fijación)
- C - Washer (rondelle, arandela)
- D - Spark shield assembly (assemblage d'écran protecteur, conjunto del protector parachispas)

Fig. 6

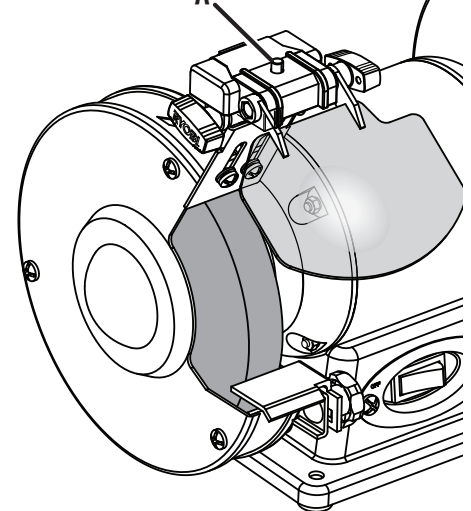
- A - Carriage bolt (boulon à collet carré, perno de carrocería)
- B - Right work rest (appui droite, apoyo de la pieza de trabajo derecha)
- C - Work rest knob (bouton du appui, perilla de apoyo de la pieza de trabajo)

Fig. 7

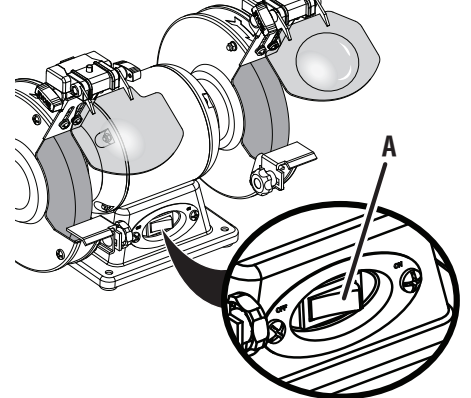
- A - Battery cover (couverture des piles, tapa de las baterías)
- B - Batteries (piles, baterías)

Fig. 8

- A - Bolt (boulon, perno)
- B - Washers (rondelles, arandelas)
- C - Lock washer (rondelle de blocage, arandela de fijación)
- D - Hex nut (écrou hexagonal, tuerca hexagonal)

Fig. 9

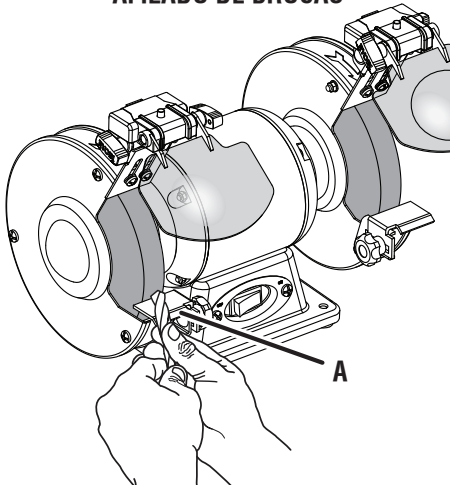
- A - LED light switch (lampe à DEL, interrupteur de la lampe DEL)

Fig. 10

- A - On/Off switch (interrupteur marche/arrêt, interruptor de encendido/apagado)

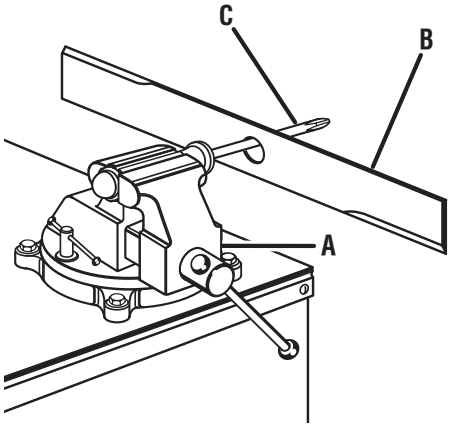
Fig. 11

**BIT SHARPENING
AFFÛTAGE DE FORETS
AFILADO DE BROCAS**



A - Work rest (appui, apoyo de la pieza de trabajo)

Fig. 12



A - Vise (étau, prensa)
B - Lawn mower blade (lame de tondeuse à gazon, hoja de cortadora de césped)
C - Screwdriver (tournevis, destornillador)

Fig. 13

**CHISEL SHARPENING
AFFÛTAGE DE CISEAUX
AFILADO DE CINCELES**

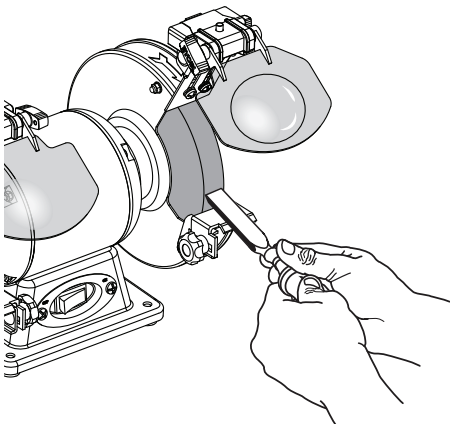
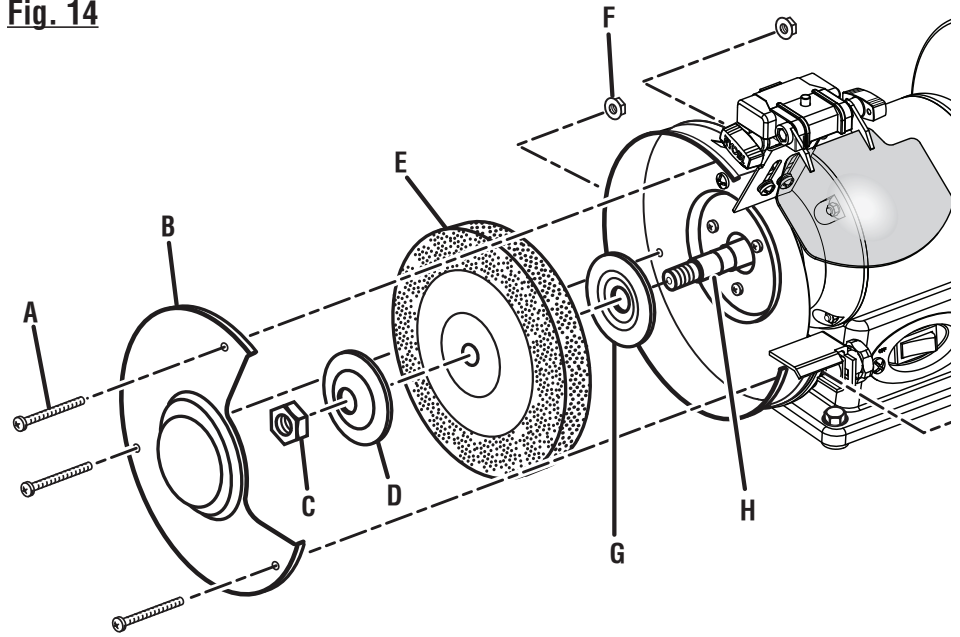


Fig. 14

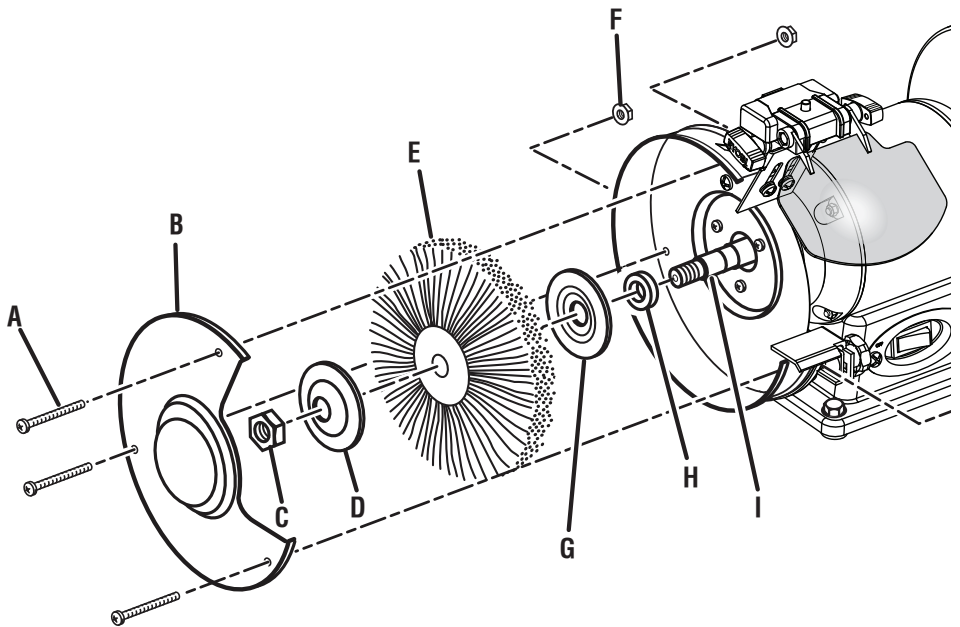


A - Screw (vis, tornillo)
B - Wheel guard cover (couverture de protection meule, cubierta de la protección de la muela)
C - Wheel nut (écrou pour meule, tuerca de la muela)
D - Outer flange (flasque extérieur, brida exterior)

E - Grinding wheel (meule disque, muela abrasiva)
F - Flange nut (écrou à embase, tuerca de brida)
G - Inner flange (flasque intérieur, brida interior)
H - Spindle shaft (broche, eje del husillo)

Fig. 15

**INSTALLING WIRE WHEEL (NOT INCLUDED)
INSTALLATION DE LA MEULE DE FIL (NON INCLUS)
INSTALACIÓN DE MUELAS DE ALAMBRA (NO INCLUIDA)**



A - Screws (vis, tornillos)
B - Wheel guard cover (couverture de protection meule, cubierta de la protección de la muela)
C - Wheel nut (écrou pour meule, tuerca de la muela)
D - Outer flange (flasque extérieur, brida exterior)

E - Wire wheel (meule de fil, muela de alambre)
F - Flange nut (écrou à embase, tuerca de brida)
G - Inner flange (flasque intérieur, brida interior)
H - Spacer (entretroise, separador)
I - Spindle shaft (broche, eje del husillo)



OPERATOR'S MANUAL/6 in. BENCH GRINDER

MANUEL D'UTILISATION/MEULEUSE D'ÉTABLI DE 152 mm (6 po)

MANUAL DEL OPERADOR/ESMERILADORA DE BANCO DE 152 mm (6 pulg.)

BG612/BG612G

To request service, purchase replacement parts,
locate an Authorized Service Center and obtain Customer or Technical Support:

Visit **www.ryobitools.com** or call **1-800-525-2579**

If any parts or accessories are damaged or missing,
do not return this product to the store. Call **1-800-525-2579** for immediate service.

Please obtain your model and serial number from the product data plate.

This product is covered under a 3-year limited Warranty. Proof of purchase is required.

MODEL NUMBER _____ SERIAL NUMBER _____

RYOBI is a registered trademark of Ryobi Limited and is used pursuant to a license granted by Ryobi Limited.

Pour faire une demande de réparations ou obtenir des pièces de rechange, trouver un
Centre de réparations agréé pour obtenir un soutien technique ou le Service à la clientèle :

Visiter **www.ryobitools.com** ou en téléphonant au **1-800-525-2579**

Si des pièces ou accessoires sont manquantes ou endommagées, ne pas retourner
ce produit au magasin. Appeler immédiatement au **1-800-525-2579** pour obtenir de l'aide.

Inscrire les numéros de modèle et de série inscrits sur la plaque d'identification du produit.

Ce produit est couvert par une garantie limitée de trois (3) ans. Une preuve d'achat est exigée.

NUMÉRO DE MODÈLE _____ NUMÉRO DE SÉRIE _____

RYOBI est une marque déposée de Ryobi Limited et est utilisée en vertu d'une licence accordée par Ryobi Limited.

Para obtener servicio, comprar piezas de repuesto, localizar un centro de servicio autorizado
y obtener Servicio o Asistencia Técnica al Consumidor:

Visite **www.ryobitools.com** o llame al **1-800-525-2579**

Si hay alguna pieza ou accesorios dañada o faltante, no devuelva este producto a la tienda.
Llame al **1-800-525-2579** para servicio técnico inmediato.

Obtenga su modelo y número de serie de la placa de datos del producto.

Este producto está cubierto con una garantía limitada de 3 años. Se solicita prueba de la compra.

NÚMERO DE MODELO _____ NÚMERO DE SERIE _____

RYOBI es una marca registrada de Ryobi Limited y se utiliza conforme a una licencia otorgada por Ryobi Limited.

ONE WORLD TECHNOLOGIES, INC.

1428 Pearman Dairy Road, Anderson, SC 29625 • Phone 1-800-525-2579

États-Unis, Téléphone 1-800-525-2579 • USA, Teléfono 1-800-525-2579

www.ryobitools.com