

REPAIR SHEET

BRAND

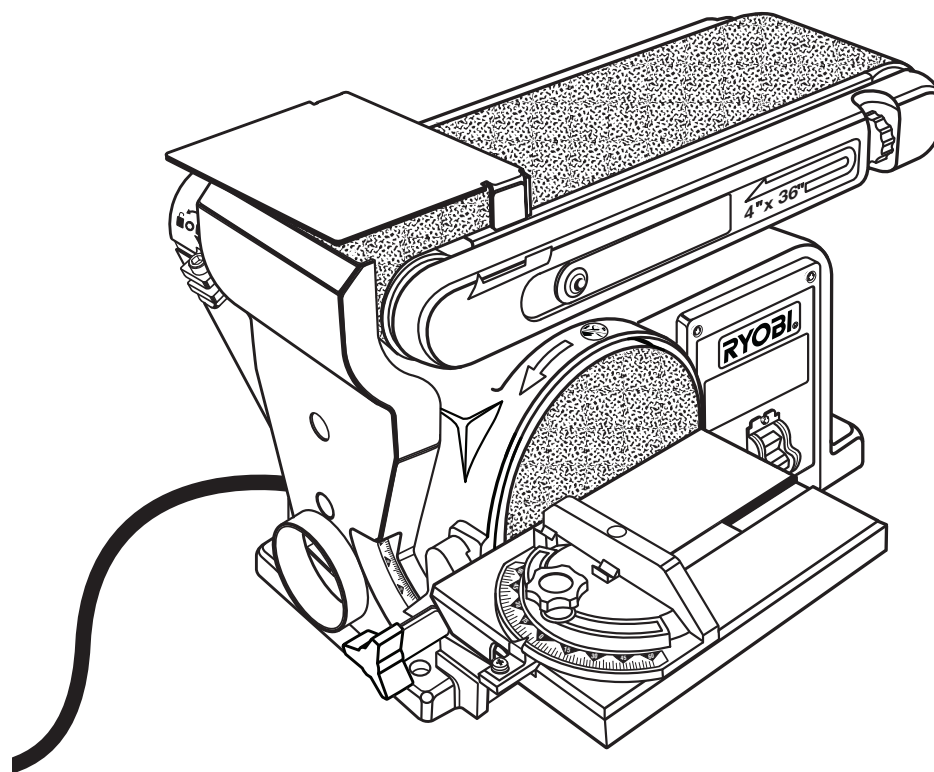
RYOBI

DESCRIPTION

Belt and Disc Sander

MODEL NO.

BD4601/BD4601G

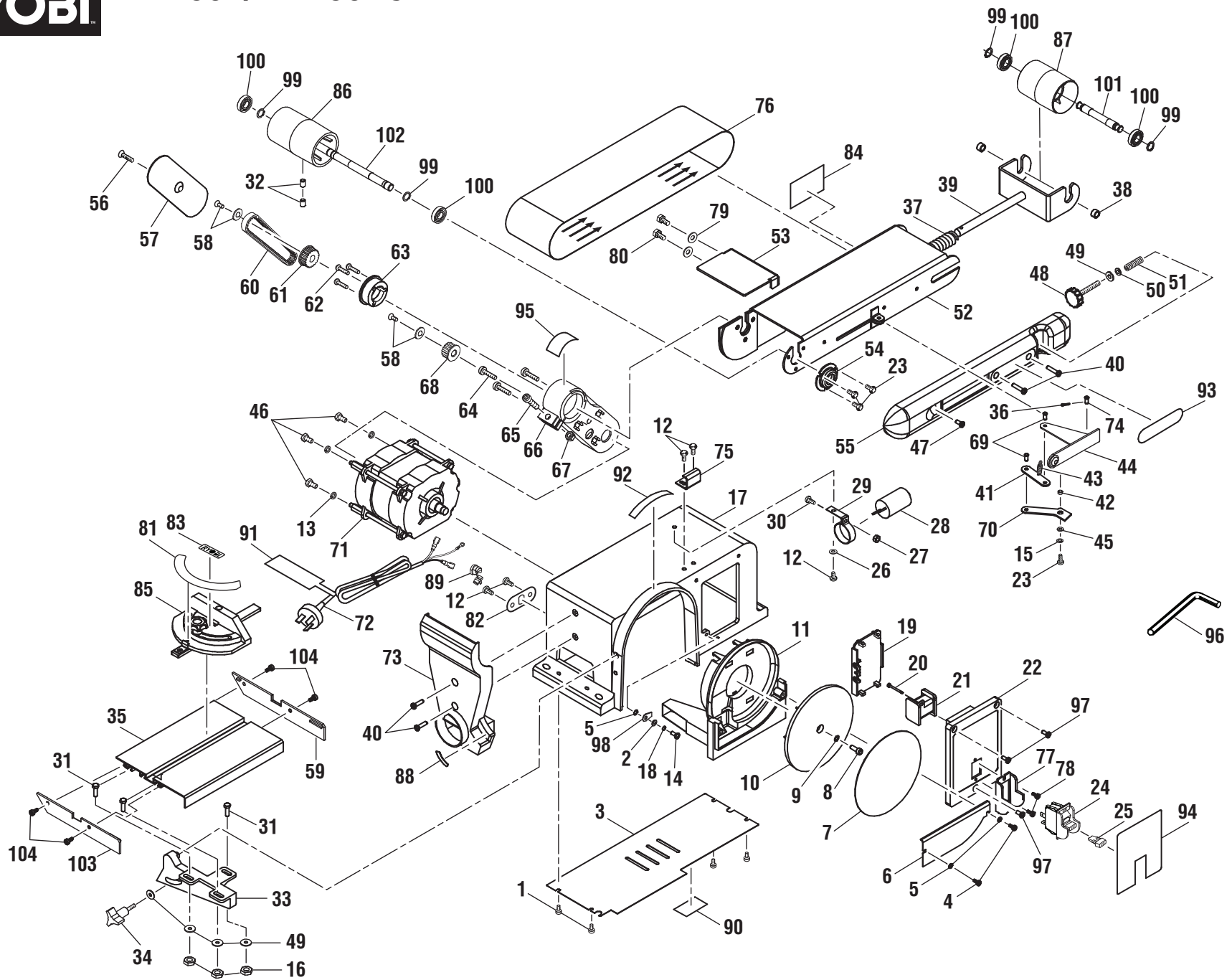


ONE WORLD TECHNOLOGIES, INC.

P.O. Box 1288, Anderson, SC 29622 ■ 1-800-525-2579 ■ www.ryobitools.com

5-13-21 (Rev:04)

The model number and manufacturing location will be found on a label attached to the product. Always mention this information in all communications regarding this product and when ordering parts.





BD4601/BD4601G

PARTS LIST

KEY	PART NO.	DESCRIPTION	QTY.
1	089027001049	Screw (M4 x 6 mm, Pan Hd.)	4
2	089027001050	Washer (D4)	1
3	089027001705	Base Cover w/Label (Inc. Key No. 90)	1
4	BD46022	Screw (M4.2 x 10 mm, Pan Hd.)	2
5	BD46061	Lock Washer (D4, External Tooth)	3
6	089027001014	Disc Cover	1
7	BD46102	*Sanding Disc (6 in., 80 Grit)	1
8	BD46080	Screw (M6 x 16 mm, Hex Soc. Hd.)	1
9	089027001015	Lock Washer (D6, External Tooth)	1
10	BD46091	Disc	1
11	089027001016	Disc Case (BD4601)	1
	089027001010	Disc Case (BD4601G)	1
12	080900062494	Screw (M5 x 8 mm, Pan Hd., BD4601)	5
	089027001017	Screw (M5 x 8 mm, Pan Hd., BD4601G)	5
13	089027001027	Spring Washer (D5)	3
14	089027001019	Screw (M4 x 10 mm, Pan Hd.)	1
15	089027001020	Lock Washer (D5, External Tooth)	1
16	089027001021	Nut (BD4601)	3
	089027001057	Nut (BD4601G)	3
17	089027001022	Base (BD4601)	1
	080027003004	Base (BD4601G)	1
18	089027001052	Lock Washer (M4)	1
19	089027001023	Switch Box Cover	1
20	089027001024	Screw (M2.9 x 30 mm, Pan Hd.)	1
21	BD46016	Start Relay (WE101)	1
22	089027001706	Switch Box (Inc. Key No. 94, BD4601)	1
	080027003706	Switch Box (Inc. Key No. 94, BD4601G)	1
23	BD46081	Screw (M5 x 10 mm, Pan Hd.)	4
24	BD46125	Switch w/Key (Inc. Key 25)	1

KEY	PART NO.	DESCRIPTION	QTY.
25	080900062522	Switch Key	1
26	089027001026	Washer (M5)	1
27	BD46039	Hex Nut (M5, Type I, BD4601)	1
	080027003010	Hex Nut (M5, Type I, BD4601G)	1
28	089027001028	Capacitor (100uf/125V)	1
29	BD46012	Capacitor Support (BD4601)	1
	080027003011	Capacitor Support (BD4601G)	1
30	BD46077	Screw (M5 x 12 mm, Pan Hd.)	1
31	089027001029	Bolt (M6 x 12 mm, Hex Hd., BD4601)	3
	089027002064	Bolt (M6 x 12 mm, Hex Hd., BD4601G)	3
32	BD46053	Set Screw (M8 x 12 mm, Hex Hd.)	2
33	089027001054	Work Table Support	1
34	BD46095	Miter Gauge Knob (BD4601)	1
	080027003005	Bevel Gauge Knob (BD4601G)	1
35	089027001710	Work Table (BD4601)	1
	089027001055	Work Table (BD4601G)	1
36	BD46046	Cotter Pin (2 x 10)	1
37	BD46036	Belt Tension Spring	1
38	BD46028	Bushing	2
39	BD46035	Belt Tension Support	1
40	BD46060	Screw (M5 x 20 mm, Pan Hd.)	4
41	BD46045	Connection Plate	1
42	BD46042	Spacer	1
43	BD46110	Spring	1
44	BD46041	Belt Tension Lever (BD4601)	1
	080027003006	Belt Tension Lever (BD4601G)	1
45	089027001032	Washer (D5)	1
46	089027001047	Screw (M4 x 10 mm)	3

*** Standard Hardware Item – May Be Purchased Locally**

▲ WARNING: Any repairs requiring disassembly of your tool requires safety testing and should only be performed by a Ryobi Authorized Service Center. For the service center nearest you call 1-800-525-2579.



BD4601/BD4601G

PARTS LIST (cont.)

KEY	PART NO.	DESCRIPTION	QTY.
47	BD46108	Screw (M5 x 16 mm, Pan Hd., BD4601)	1
	080027003012	Screw (M5 x 16 mm, Pan Hd., BD4601G)	1
48	BD46033	Belt Tracking Knob (BD4601)	1
	080027003003	Belt Tracking Knob (BD4601G)	1
49	089027001056	Washer (D6)	5
50	BD46031	Rubber Washer	1
51	BD46030	Compression Spring	1
52	089027001035	Belt Support	1
53	BD46054	Work Rest	1
54	BD46048	Bearing Cap	1
55	BD46038	Frame Cover	1
56	089027001036	Screw (M5 x 10 mm, Pan Hd.)	1
57	089027001037	Belt Cover	1
58	089027003710	Screw (Phillips Hd.) and Washer Assembly	2
59	089027001058	Work Table Cap (Right)	1
60	BD46075	Drive Belt	1
61	BD46015	Idler Pulley	1
62	089027001018	Screw (M5 x 25 mm, Pan Hd.)	3
63	089027001038	Bearing Base	1
64	089027001039	Screw (M6 x 25 mm, Pan Hd.)	3
65	089027001040	Screw (M8 x 25 mm, Hex Soc. Hd.)	1
66	089027001041	Belt Guard	1
67	089027001042	Square Nut (M8)	1
68	BD46076	Drive Pulley	1
69	BD46043	Roll Pin (5 x 8)	2
70	BD46044	Tension Plate	1
71	089027001701	Motor Assembly	1
72	089027001708	Power Cord w/Label (Inc. Key No. 91)	1

KEY	PART NO.	DESCRIPTION	QTY.
73	089027001043	Dust Collection Port (BD4601)	1
	089027003705	Dust Collection Port (BD4601G)	1
74	BD46034	Roll Pin (5 x 10)	1
75	089027001044	Belt Frame Support	1
76	BD46024	*Sanding Belt (4 in. x 36 in., 80 Grit)	1
77	BD46107	Switch Holder	1
78	089027001045	Screw (M2.9 x 8 mm, Pan Hd.)	2
79	BD46004	Washer (D8)	2
80	089027001046	Screw (M8 x 16 mm, Hex Soc. Hd.)	2
	089027001905	Miter Scale Label (BD4601)	1
81	080027003905	Miter Scale Label (BD4601G)	1
	089027001048	Cord Clamp Plate	1
82	089027001906	Miter Gage Logo Label (BD4601)	1
	080027003906	Miter Gage Logo Label (BD4601)	1
83	089027001901	Data Label (BD4601)	1
	080027003901	Data Label (BD4601G)	1
84	089027001703	Miter Gauge Assembly (Inc. Key Nos. 81 & 83, BD4601)	1
	080027003703	Miter Gauge Assembly (Inc. Key Nos. 81 & 83, BD4601G)	1
85	BD46052	Drive Roller	1
86	BD46026	Idler Roller	1
87	089027001908	Bevel Scale Label (BD4601)	1
	080027003008	Bevel Scale Label (BD4601)	1
88	089027001034	Cord Clamp	1
89	089027001909	Do Not Remove Cover Label	1
90	089027001904	Cordwrap Warning Label (French and Spanish)	1
91	089027001903	Disc Direction and Warning Label (BD4601)	1
	080027003903	Disc Direction and Warning Label (BD4601G)	1
92	089027001902	Belt Direction Label (BD4601)	1
	080027003902	Belt Direction Label (BD4601G)	1

*** Standard Hardware Item – May Be Purchased Locally**

▲ WARNING: Any repairs requiring disassembly of your tool requires safety testing and should only be performed by a Ryobi Authorized Service Center. For the service center nearest you call 1-800-525-2579.



BD4601/BD4601G

PARTS LIST (cont.)

KEY	PART NO.	DESCRIPTION	QTY.
94	089027001907	Warning Label (English, BD4601)	1
	089027003007	Warning Label (English, BD4601G)	1
95	089027001910	Position Lock Label	1
96	089027001012	Hex Key (M6)	1
97	089027001033	Screw (M4 x 10 mm, Pan Hd.)	3
98	089027001051	Grounding Tag	1
99	BD46027	Spring Washer (D12)	4

KEY	PART NO.	DESCRIPTION	QTY.
100	BD46025	Ball Bearing (101Z)	4
101	BD46029	Idler Shaft	1
102	089027001011	Drive Shaft	1
103	089027001059	Work Table Cap (Left)	1
104	089027001060	Screw (M3.9 x 9.5 mm)	4
	Not Shown:		
	988000299	Operator's Manual	1

▲ WARNING: Any repairs requiring disassembly of your tool requires safety testing and should only be performed by a Ryobi Authorized Service Center. For the service center nearest you call 1-800-525-2579.

