

REPAIR SHEET

BRAND

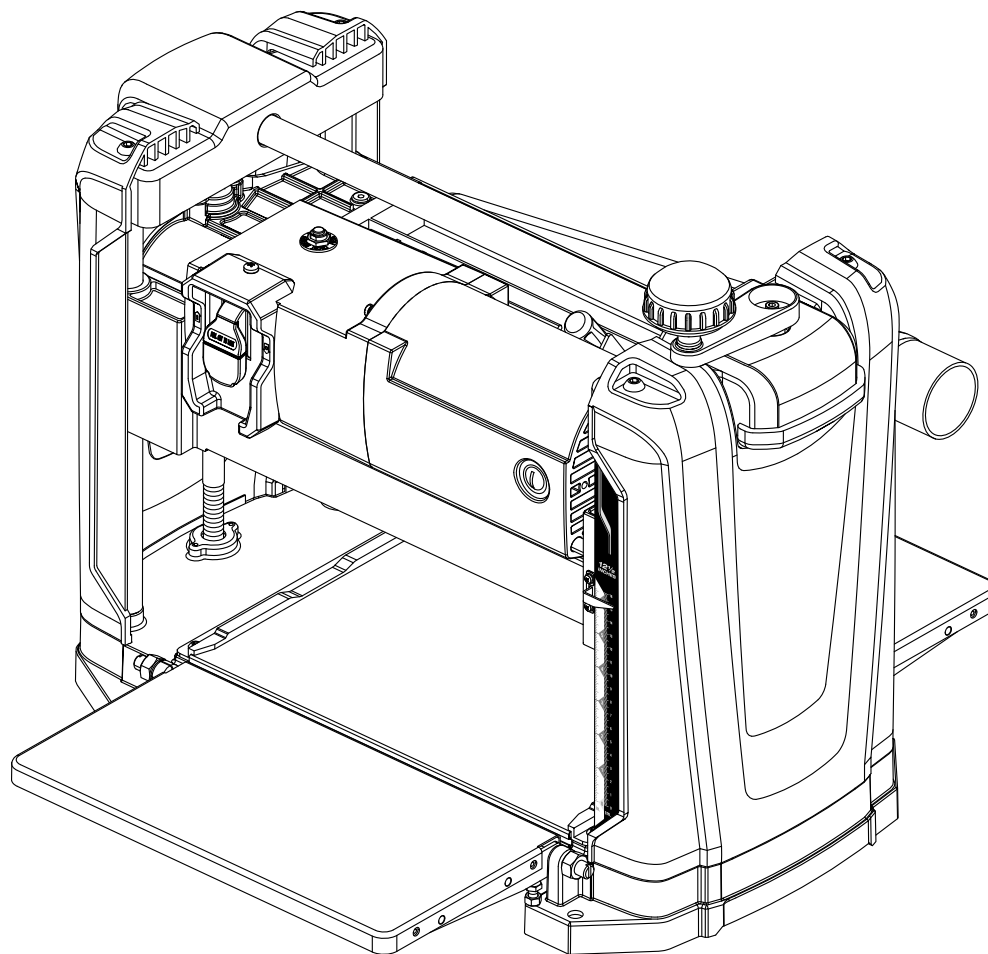
RYOBI

DESCRIPTION

12-1/2 in. Thickness Planer

MODEL NO.

AP1305

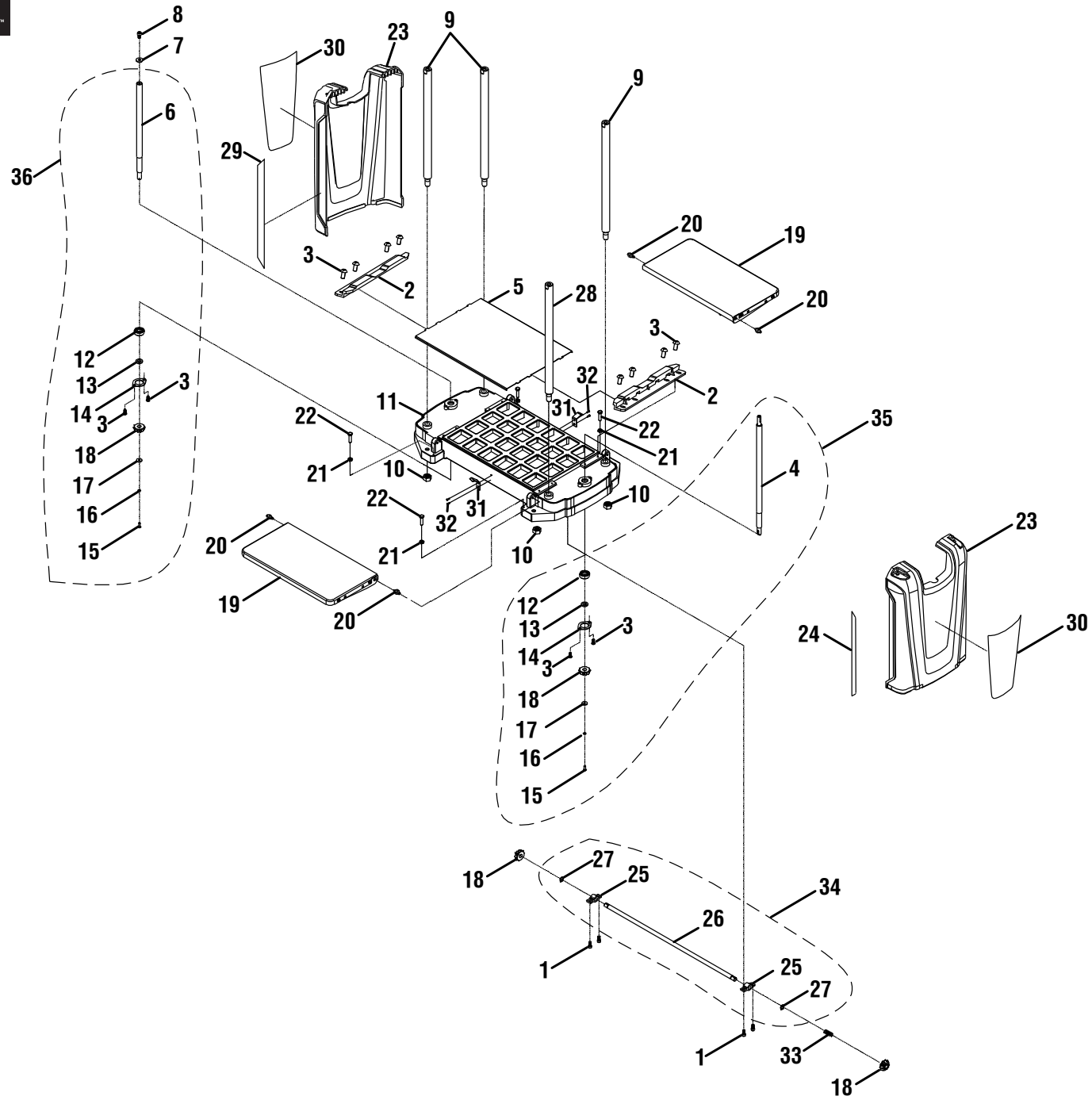


ONE WORLD TECHNOLOGIES, INC.

P.O. Box 1288, Anderson, SC 29622 ■ 1-800-525-2579 ■ www.ryobitools.com

2-24-21 (Rev:01)

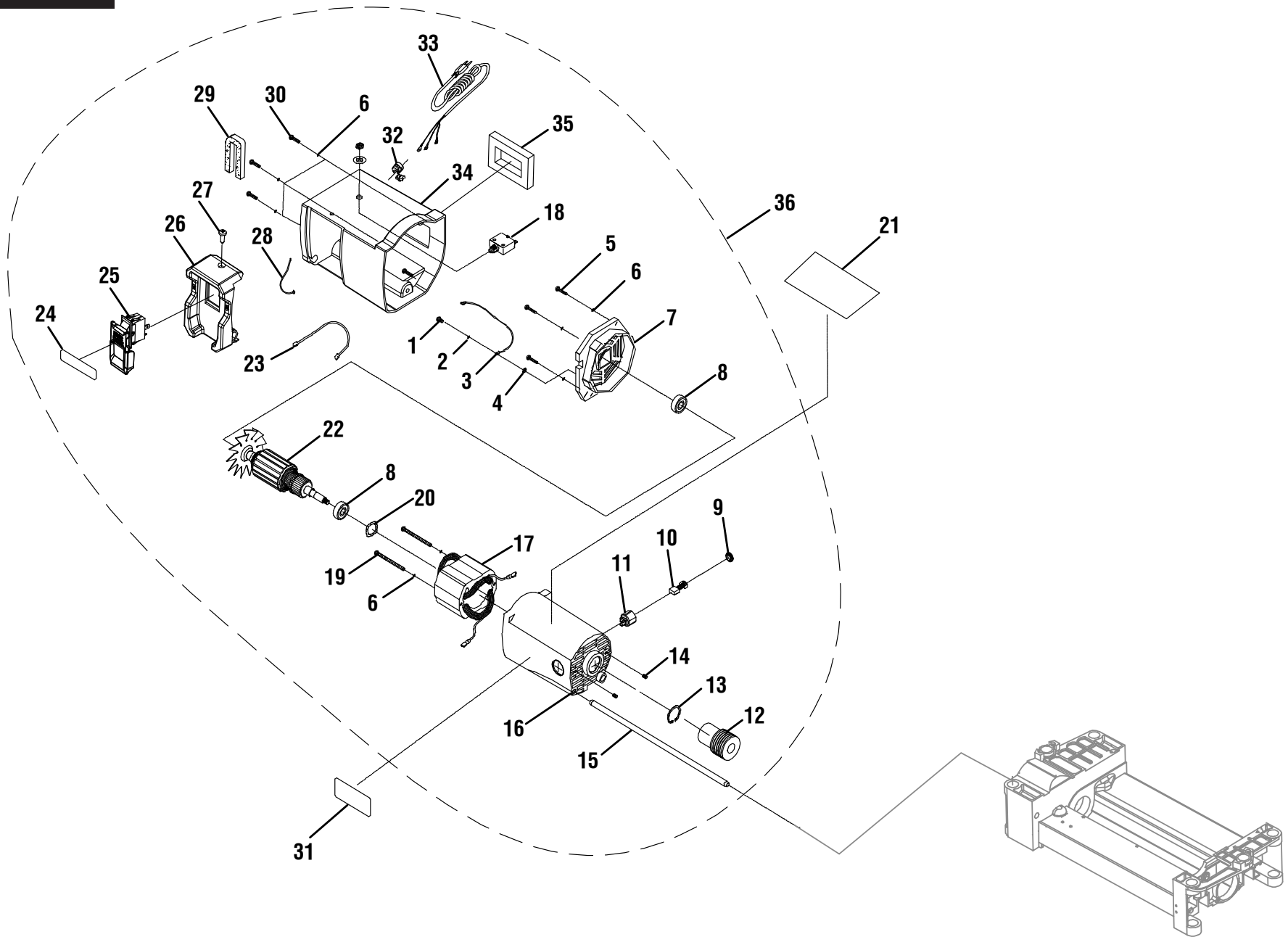
The model number and manufacturing location will be found on a label attached to the product. Always mention this information in all communications regarding this product and when ordering parts.



PARTS LIST – FIGURE A

KEY NO.	PART NO.	DESCRIPTION	QTY.
1	089170109070	Screw (M5 x 12 mm)	4
2	089240073032	Guide Rail	2
3	089170109014	Screw (M5 x 10 mm)	12
4	089240073033	Elevation Screw (Right)	1
5	089240073034	Planer Table	1
6	089240073035	Elevation Screw (Left)	1
7	089170109021	Washer	1
8	089240073036	Screw (M6 x 10 mm)	1
9	089240073037	Column	3
10	089170109132	Nut (M12)	4
11	089240073038	Base Assembly	1
12	089170109024	Bearing (6000-2Z)	2
13	089240073039	Bushing	2
14	089170109140	Bearing plate	2
15	089240073040	Screw (M4 x 12 mm)	2
16	089240073041	Washer	2
17	089170109143	Washer (ID4.3 x OD16 x 2t)	2
18	089240073042	Helical Gear	4
19	089240073043	Table Extension Assembly	2
20	089240073044	Adjustment Screw	4

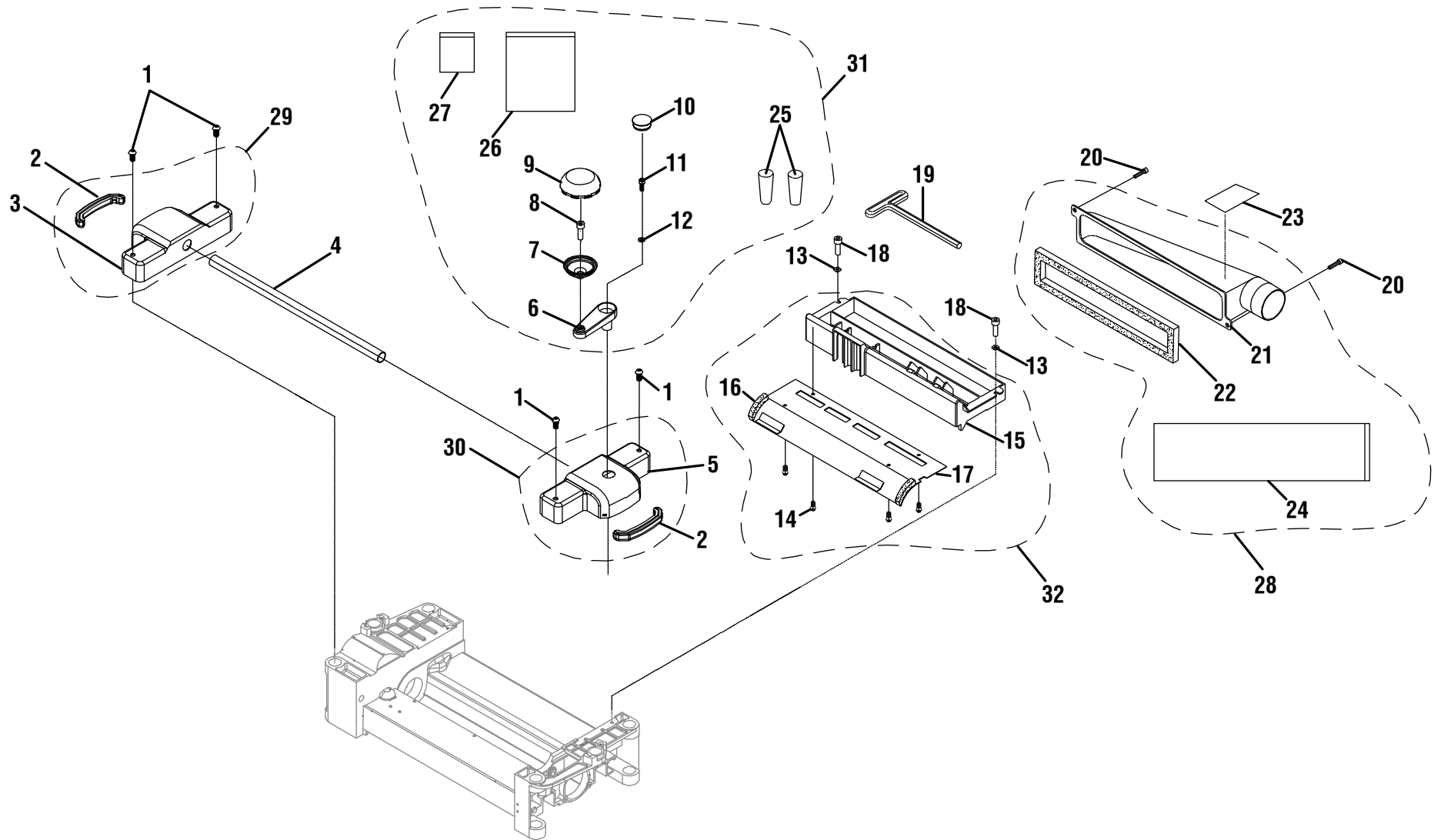
KEY NO.	PART NO.	DESCRIPTION	QTY.
21	089240073045	Nut (M6)	4
22	089170109134	Bolt (M6 x 20 mm)	4
23	089240073046	Side Panel (Inc. Key Nos. 24 & 29-30)	2
24	089240073902	Depth Scale	1
25	089240073047	Bearing	2
26	089240073048	Helical Gear Drive Shaft	1
27	089240073049	External Retaining Ring	2
28	089240073061	Column	1
29	089240073901	Accent Label	1
30	089240073905	Logo Label	2
31	089240073073	Detent	2
32	089240073074	Screw (M5 x 10 mm)	4
33	089240073063	Spring	1
34	089240073705	Helical Gear Drive Shaft Assembly (Inc. Key Nos. 25-27)	1
35	089240073703	Right Elevation Screw Assembly (Inc. Key Nos. 3-4 & 12-18)	1
36	089240073704	Left Elevation Screw Assembly (Inc. Key Nos. 3, 6 & 12-18)	1
	Not Shown:		
	998000450	Operator's Manual (089240073915)	



PARTS LIST – FIGURE B

KEY NO.	PART NO.	DESCRIPTION	QTY.
1	089170109170	Screw (M5 x 8 mm)	1
2	089170109171	Washer	1
3	089170109172	Grounded Wire	1
4	089170109173	External Tooth Lock Washer	1
5	089170109174	Screw (M4.8 x 20 mm)	3
6	089170109031	Washer	8
7	089170109175	Motor Front Enclosure	1
8	089240073070	Bearing	2
9	089170109182	Brush Cap	2
10	089170109183	Brush Assembly	2
11	089170109184	Brush Holder	2
12	089240073072	Motor Pulley	1
13	089170109186	Retaining Ring	1
14	089170109185	Screw (M5 x 8 mm)	2
15	089170109187	Support Rod	1
16	089240073069	Motor Rear Enclosure (Inc. Key Nos. 21)	1
17	089170109198	Field	1
18	089170109168	Overload Protector	1

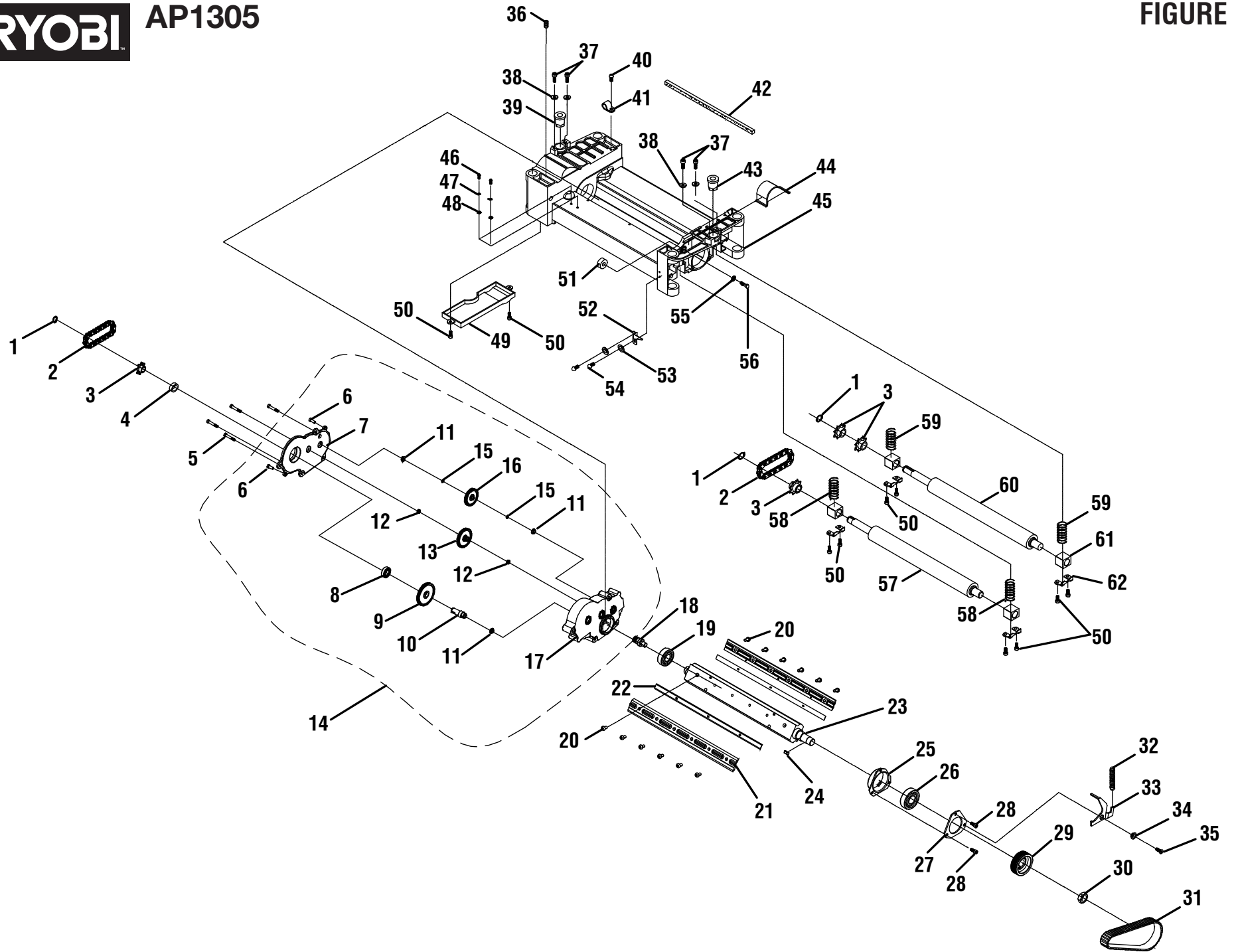
KEY NO.	PART NO.	DESCRIPTION	QTY.
19	089170109178	Screw (M4.8 x 70 mm)	2
20	089170109180	Wavy Washer (ID25x OD31.5 x 0.3t)	1
21	089240073907	Warning Data Label	1
22	089170109197	Armature	1
23	089170109166	Lead w/Terminals	1
24	089037011910	Switch Label	1
25	089170109199	Switch Assembly	1
26	089240073066	Switch Panel	1
27	089170109165	Screw (M4.8 x 16 mm)	1
28	089170109167	Strip	1
29	089170109169	Seal	1
30	089170109159	Screw (M5 x 20 mm)	3
31	089240073906	Logo Label	1
32	089170109158	Relief Strain	1
33	089240073067	Plug Wiring	1
34	089240073071	Small Switch Box	1
35	089170109093	Seal	1
36	089240073706	Motor Assembly (Inc. Key Nos. 1-35)	1



PARTS LIST – FIGURE C

KEY NO.	PART NO.	DESCRIPTION	QTY.
1	089240073001	Screw (M8 x 16 mm)	4
2	089240073002	Handle Cover	2
3	089240073003	Upper Cover (Left)	1
4	089240073004	Roller	1
5	089240073005	Upper Cover (Right)	1
6	089240073006	Handle	1
7	089240073007	Grip	1
8	089240073008	Grip Shaft	1
9	089240073009	Grip Cover	1
10	089240073010	Cover	1
11	089240073011	Screw (M5 x 20 mm)	1
12	089170109073	Washer (ID5 x OD10 x 1t)	1
13	089240073012	Washer (ID5 x OD14 x 0.8t)	2
14	089240073013	Screw (M4.8 x 10 mm)	4
15	089240073014	Dust Hood	1
16	089170109169	Seal	2

KEY NO.	PART NO.	DESCRIPTION	QTY.
17	089240073016	Dust Chute	1
18	089170109070	Screw (M5 x 12 mm)	2
19	089240073051	Wrench	1
20	089240073064	Screw (M6 x 14 mm)	2
21	089240073065	Dust Guide (Inc. Key No. 23)	1
22	089170109093	Seal	1
23	089240073904	Dust Port Warning Label	1
24	089240073912	Bag	1
25	089240073050	Blade Magnetic Sleeve	2
26	089240073911	Bag	1
27	089240073910	Bag	1
28	089240073710	Dust Guide Assembly (Inc. Key Nos. 21-24)	1
29	089240073701	Upper Cover Assembly (Left, Inc. Key Nos. 2-3)	1
30	089240073702	Upper Cover Assembly (Right, Inc. Key Nos. 2 & 5)	1
31	089240073708	Handle Assembly (Inc. Key Nos. 6-12 & 25-27)	1
32	089240073709	Dust Assembly (Inc. Key Nos. 14-17)	1



PARTS LIST – FIGURE D

KEY NO.	PART NO.	DESCRIPTION	QTY.
1	089170109048	External Retaining Ring	3
2	089170109049	Chain	2
3	089170109050	Sprocket	4
4	089170109051	Bushing	1
5	089170109053	Screw (M5 x 35 mm)	4
6	089240073059	Bolt (M5 x 12 mm)	2
7	089170109708	Gear Box Cover	1
8	089170109056	Bearing	1
9	089170109059	Spur Gear	1
10	089170109057	Drive Shaft	1
11	089170109063	Gear Bushing	3
12	089170109191	Bearing	2
13	089170109058	Spur Gear	1
14	089240073707	Gear Box Assembly (Inc. Key Nos. 6-13 & 15-17)	1
15	089240073060	Washer (ID8 x OD14 x 0.1t)	2
16	089170109062	Spur Gear	1
17	089170109707	Gear Box	1
18	089170109065	Pinion	1
19	089170109066	Bearing	1
20	089170109106	Screw (M6 x 16 mm)	12
21	089240073058	Blade Lock Bar	2
22	089240073057	Planer Blades	2
23	089240073056	Cutter Head	1
24	089170109103	Key	1
25	089240073055	Bearing Plate	1
26	089170109108	Bearing	1
27	089240073054	Bearing Plate	1
28	089240073015	Screw (M5 x 16 mm)	2
29	089240073053	Pulley	1
30	089240073052	Nut (M16)	1
31	089170109115	Belt (135J6)	1

KEY NO.	PART NO.	DESCRIPTION	QTY.
32	089240073019	Spring	1
33	089240073020	Cutter Head Lock	1
34	089240073021	Bushing	1
35	089240073022	Screw (M5 x 16 mm)	1
36	089170109071	Screw (M5 x 10 mm)	1
37	089240073062	Screw (M6 x 16 mm)	4
38	089240073028	Washer (ID6.3 x OD15 x 2t)	4
39	089240073027	Elevation Nut (Left Hand)	1
40	089170109072	Screw (M5 x 10 mm)	1
41	089170109074	Strain Relief	1
42	089170109169	Seal	1
43	089240073029	Elevation Nut (Right Hand)	1
44	089240073017	Belt Guard	1
45	089240073018	Carriage	1
46	089170109170	Screw (M5 x 8 mm)	2
47	089170109171	Washer	2
48	089170109173	External Tooth Lock Washer	2
49	089240073026	Gear Box Dust Plate	1
50	089170109070	Screw (M5 x 12 mm)	10
51	089240073025	Washer	1
52	089170109096	Pointer	1
53	089170109095	Washer	2
54	089170109094	Screw (M3 x 6 mm)	2
55	089240073024	Washer	1
56	089240073023	Bolt (M8 x 25 mm)	1
57	089240073031	Infeed Roller (Front)	1
58	089170109118	Spring	2
59	089170109119	Spring	2
60	089240073030	Outfeed Roller (Rear)	1
61	089170109122	Bearing Block	4
62	089170109123	Retainer	4

