



REGISTER YOUR TOOLS

<http://register.ryobitools.com>

1-800-525-2579

# OPERATOR'S MANUAL

## MANUEL D'UTILISATION

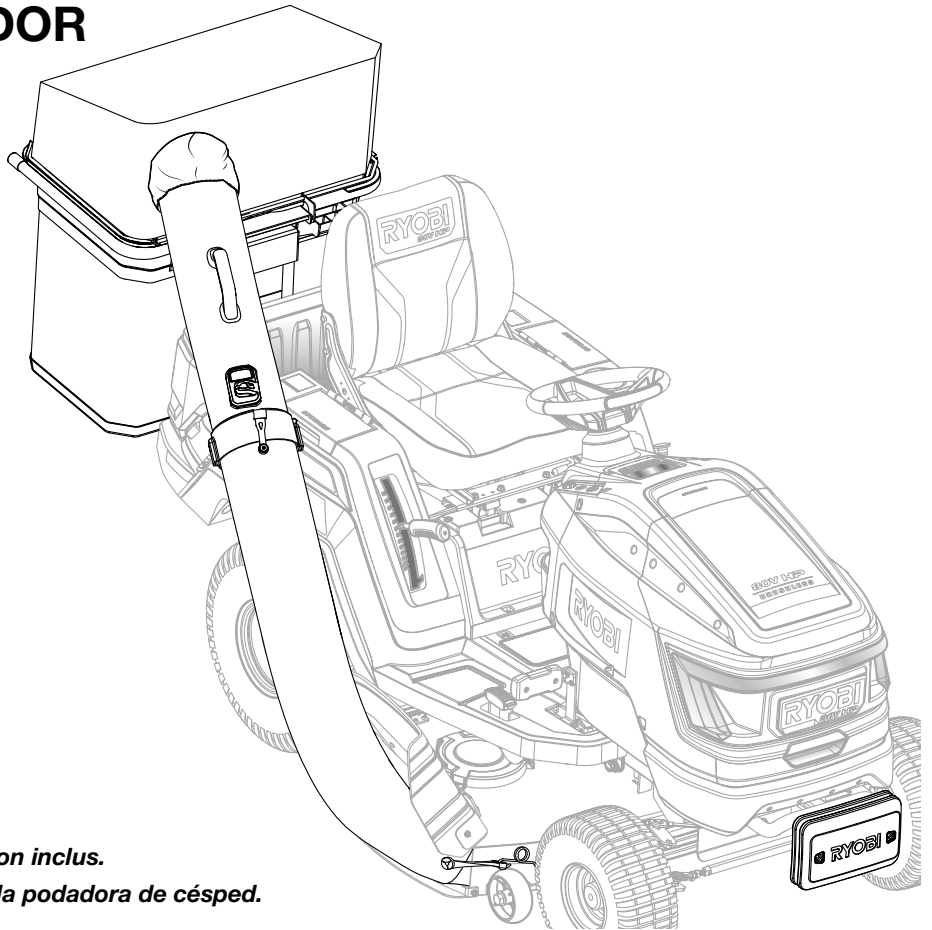
## MANUAL DEL OPERADOR

### BAGGING KIT

### TROUSSE D'ENSEMBLE D'ENSACHAGE

### KIT DE EMBOLSADO

### ACRM028



*Bagging Kit only. Lawnmower not included.*

*Trousse d'ensachage seulement. Tondeuse non inclus.*

*Kit de embolsado únicamente. No se incluye la podadora de césped.*

#### TABLE OF CONTENTS

- Important Safety Instructions.....2
- Symbols .....3
- Assembly ..... 3-5
- Operation .....6
- Maintenance .....7
- Parts Ordering/Service..... Back Page

#### TABLE DES MATIÈRES

- Instructions importantes  
concernant la sécurité.....2
- Symboles .....3
- Assemblage ..... 3-6
- Utilisation ..... 6-7
- Entretien.....7
- Commande de pièces /  
réparation..... Page arrière

#### ÍNDICE DE CONTENIDO

- Instrucciones de seguridad  
importantes .....2
- Símbolos .....3
- Armado ..... 3-6
- Funcionamiento ..... 6-7
- Mantenimiento .....7
- Pedidos de piezas/  
servicio..... Pág. posterior

**⚠ WARNING:** To reduce the risk of injury, the user must read and understand the operator's manual before using this product.

**⚠ AVERTISSEMENT :** Pour réduire les risques de blessures, l'utilisateur doit lire et veiller à bien comprendre le manuel d'utilisation avant d'employer ce produit.

**⚠ ADVERTENCIA:** Para reducir el riesgo de lesiones, el usuario debe leer y comprender el manual del operador antes de usar este producto.

**SAVE THIS MANUAL FOR  
FUTURE REFERENCE**

**CONSERVER CE MANUEL  
POUR FUTURE RÉFÉRENCE**

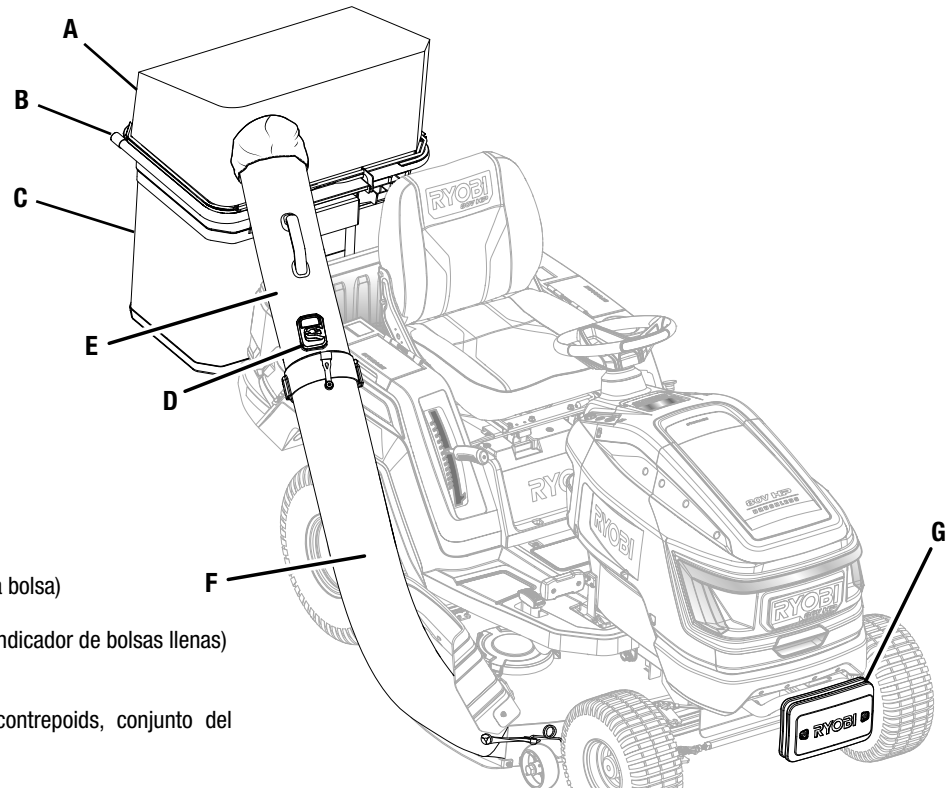
**GUARDE ESTE MANUAL  
PARA FUTURAS CONSULTAS**

**See this fold-out section for all of the figures referenced in the operator's manual.**

**Consulter l'encart à volets afin d'examiner toutes les figures mentionnées dans le manuel d'utilisation.**

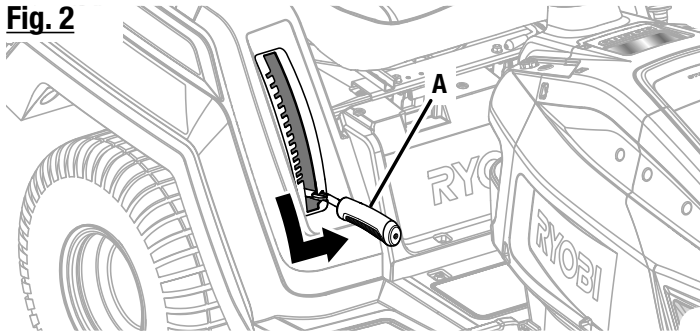
**Consulte esta sección desplegable para ver todas las figuras a las que se hace referencia en el manual del operador.**

**Fig. 1**



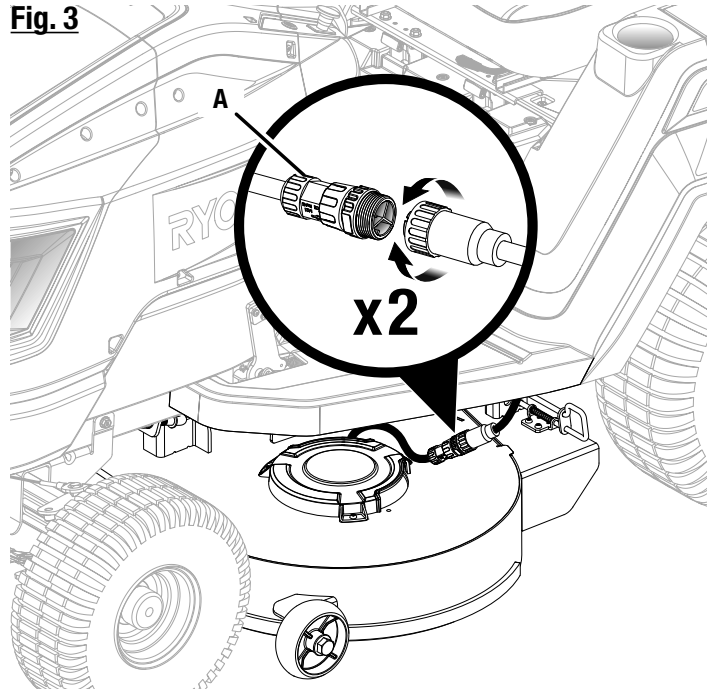
- A - Cover (couvercle, cubierta)
- B - Bag frame (structure du sac, armazón de la bolsa)
- C - Grass bag (sac à herbe, bolsa de césped)
- D - Bag full indicator (indicateur de sac plein, indicador de bolsas llenas)
- E - Upper tube (tube supérieur, tubo superior)
- F - Lower tube (tube inférieur, tubo inferior)
- G - Counterweight assembly (ensemble de contrepoids, conjunto del contrapeso)

**Fig. 2**



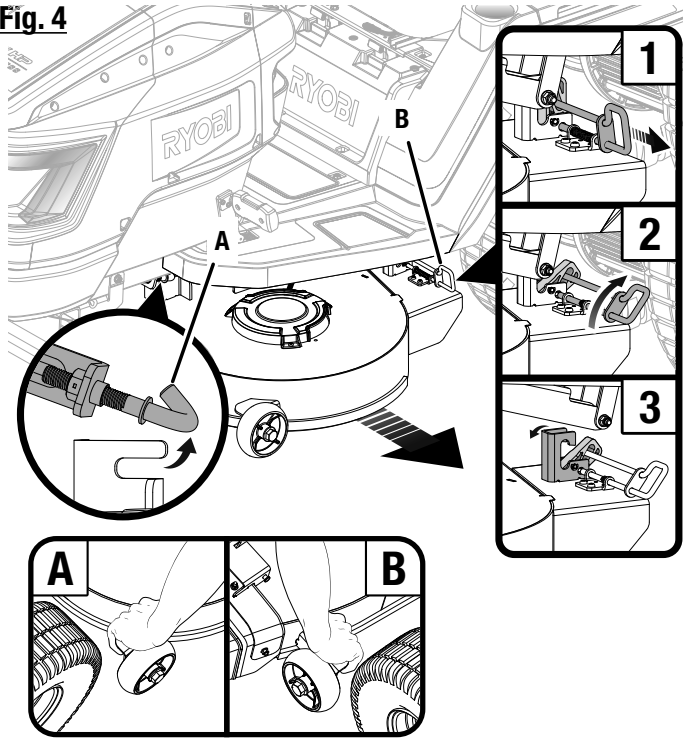
- A - Deck height adjustment lever (levier de réglage de hauteur du plateau, palanca de ajuste de altura de base inferior)

**Fig. 3**



- A - Cable (câble, cable)

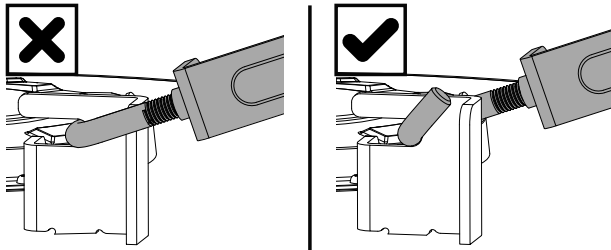
**Fig. 4**



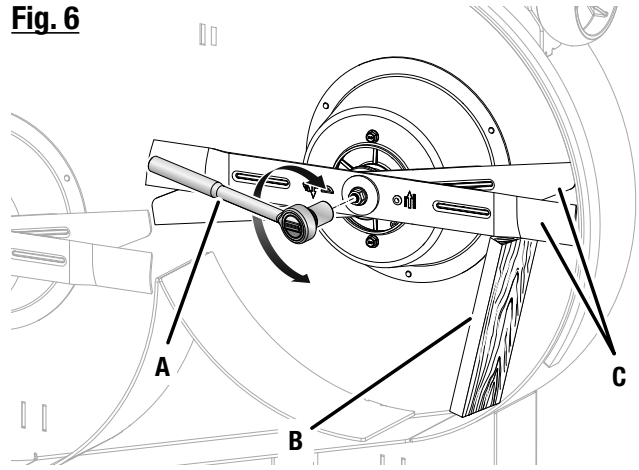
- A - J-hook (crochet en J, gancho J)  
 B - Deck release handle (poignée de dégagement du plateau, mango de liberación de la plataforma)

**Fig. 5**

**J-HOOK ORIENTATION  
 ORIENTATION DU CROCHET EN J  
 ORIENTACIÓN DEL GANCHO J**

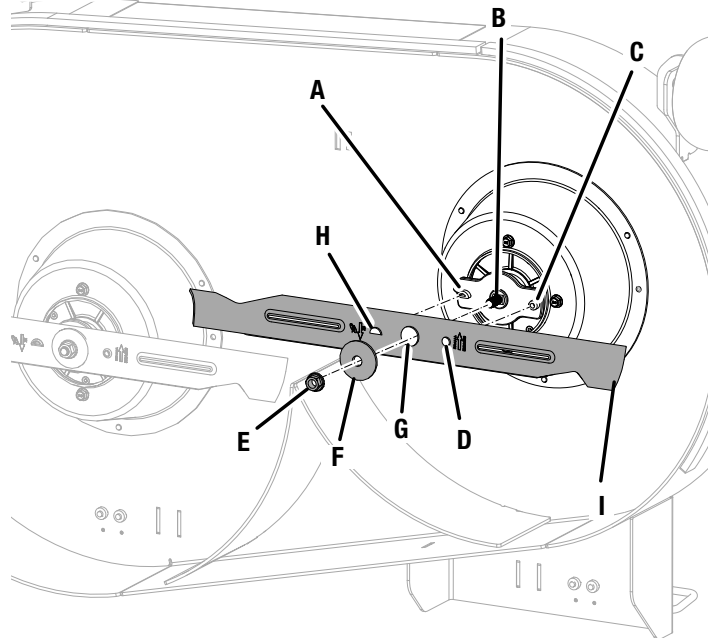


**Fig. 6**



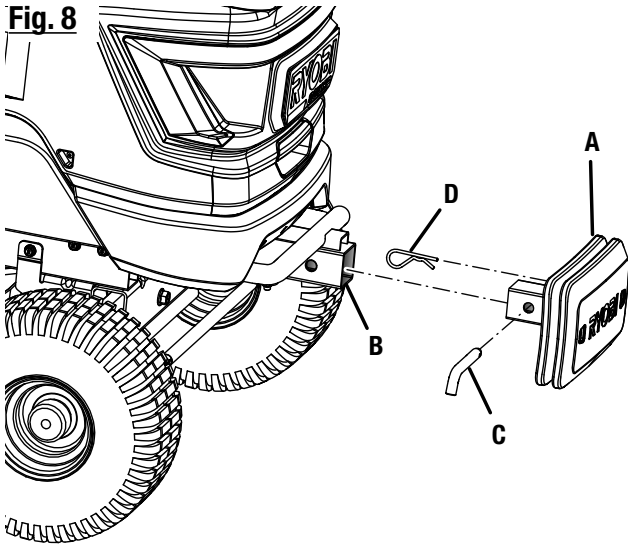
- A - Wrench (clé, llave)  
 B - Block of wood (pièce de bois, bloque de madera)  
 C - Blades (rondelle, arandela)

**Fig. 7**



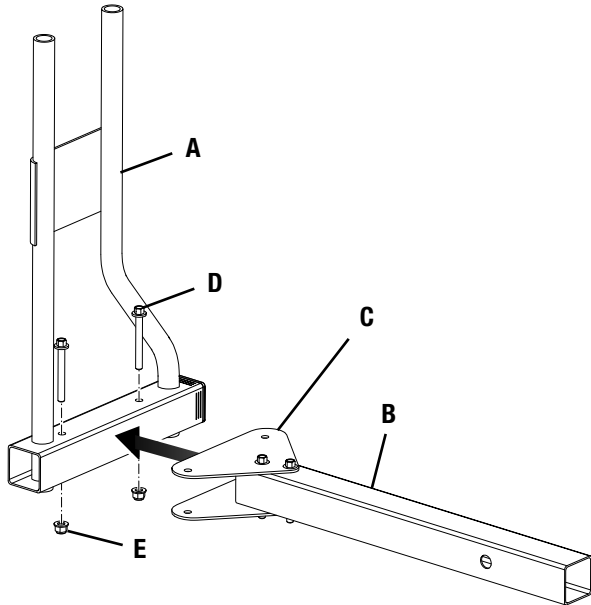
- A - Blade half circle post (tige pour lame demi-cercle, montante de la cuchilla semicircular)  
 B - Shaft (arbre, eje)  
 C - Blade circle post (tige pour lame cercle, montante de la cuchilla circular)  
 D - Blade circle hole (trou cercle de la lame, orificio circular de la cuchilla)  
 E - Blade nut (écrou de lame, tuerca de la cuchilla)  
 F - Spring washer (rondelle élastique, arandela elástica)  
 G - Center blade hole (trou du centre de la lame, orificio de la cuchilla central)  
 H - Blade half circle hole (trou demicercle de la lame, orificio semicircular de la cuchilla)  
 I - Blade (lame, cuchilla)

**Fig. 8**



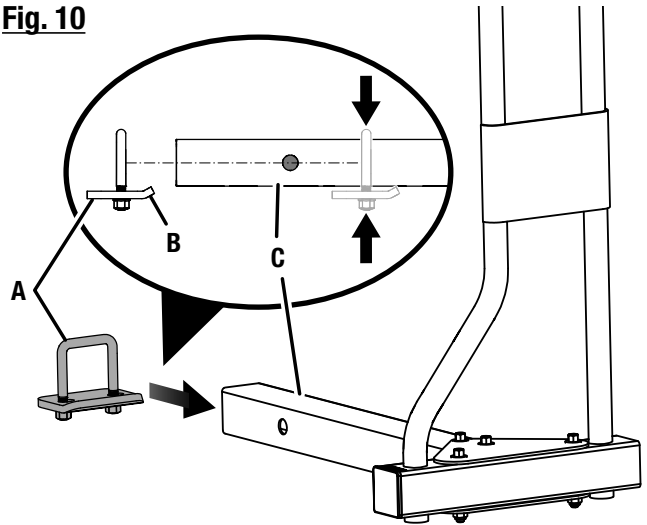
- A - Counterweight assembly (ensemble de contrepoids, conjunto del contrapeso)
- B - Hitch point (point d'attache approuvé, punto del enganche aprobado)
- C - Hitch pin (goupille d'attelage, pasador de enganche)
- D - Clip (pince d'attelage, gancho)

**Fig. 9**



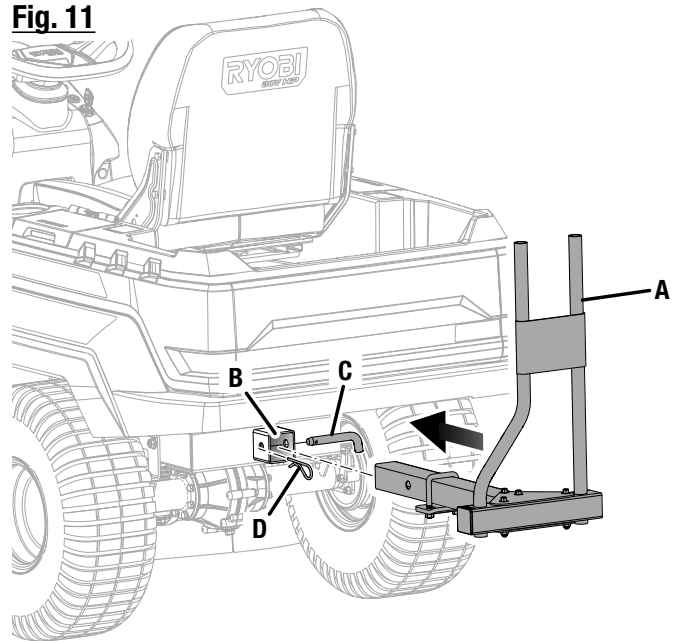
- A - Bagger bracket (support d'ensacheuse, soporte para embolsadora)
- B - Square tube (tube carré, tubo cuadrada)
- C - Triangle plate (plaque triangulaire, placa triangular)
- D - Bolt (boulon, perno)
- E - Nut (écrou, tuerca)

**Fig. 10**



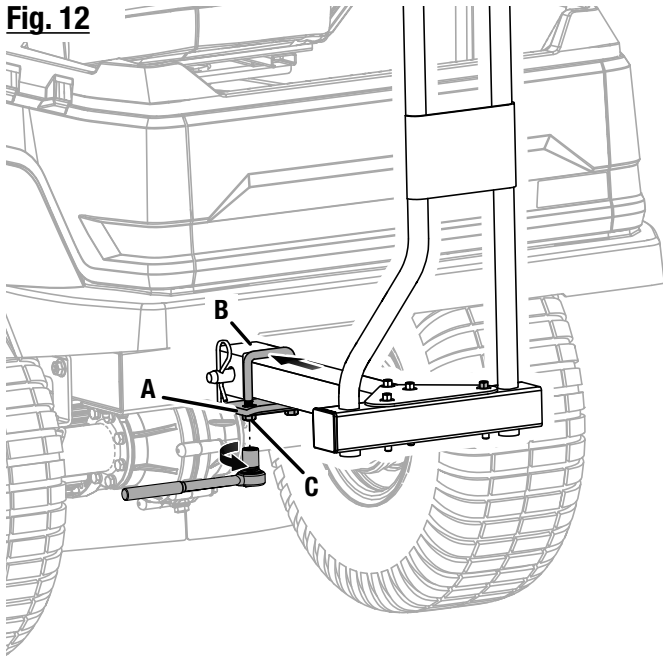
- A - Hitch tightener plate assembly (ensemble de la plaque de serrage de l'attelage, conjunto de la placa tensora del enganche)
- B - Plate lip (lèvre de la plaque, borde de la placa)
- C - Square tube (tube carré, tubo cuadrada)

**Fig. 11**



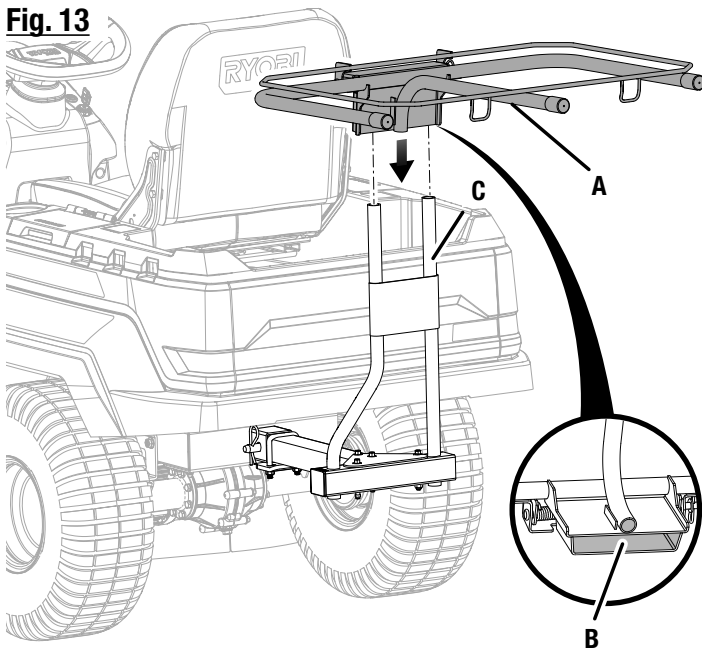
- A - Bagger bracket assembly (ensemble de support d'ensacheuse, conjunto de soporte para embolsadora)
- B - Hitch point (point d'attache approuvé, punto del enganche aprobado)
- C - Hitch pin (goupille d'attelage, pasador de enganche)
- D - Clip (pince d'attelage, gancho)

**Fig. 12**



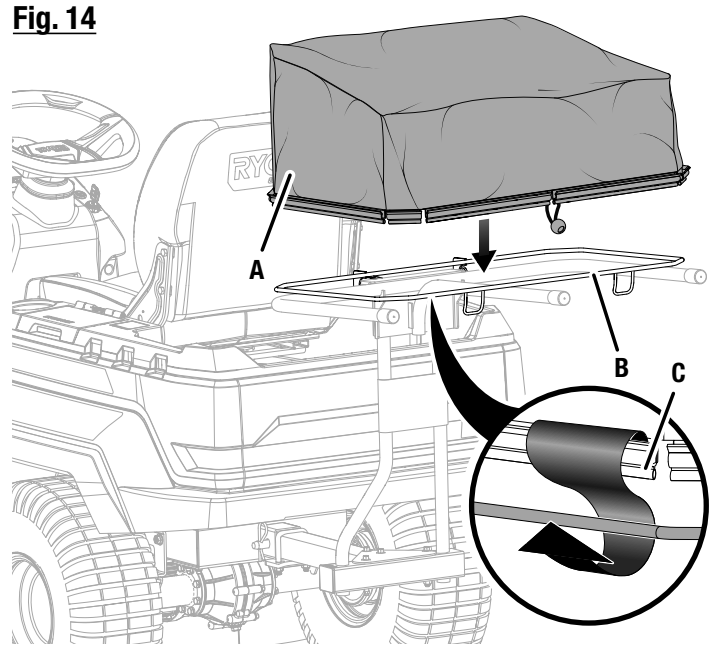
- A - Hitch tightener plate assembly (ensemble de la plaque de serrage de l'attelage, conjunto de la placa tensora del enganche)  
B - Hitch point (point d'attache approuvé, punto del enganche aprobado)  
C - Nut (écrou, tuerca)

**Fig. 13**



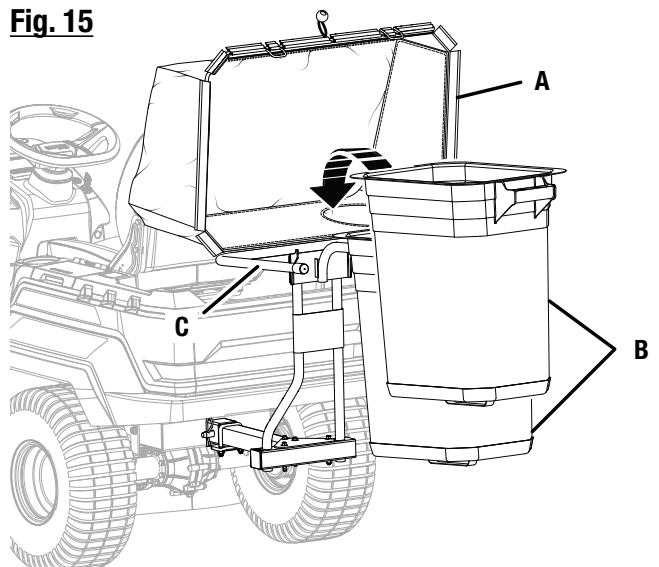
- A - Cover frame (cadre du couvercle, marco de la cubierta)  
B - Frame openings (ouvertures du cadre, aberturas del marco)  
C - Bracket shafts (tiges de support, barras del soporte)

**Fig. 14**



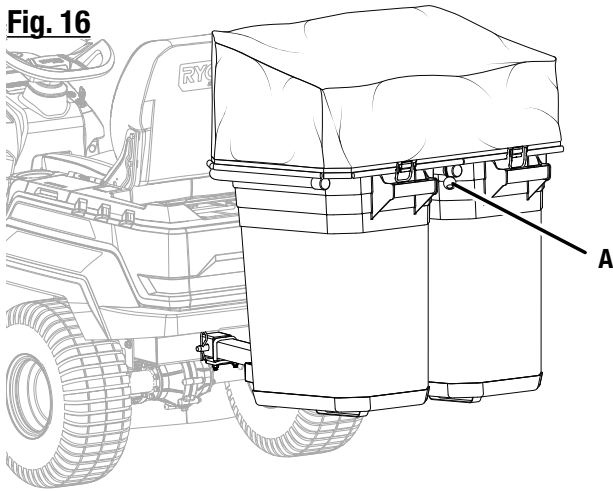
- A - Cover (couverture, cubierta)  
B - Cover frame (cadre du couvercle, marco de la cubierta)  
C - Clip (attache, clip)

**Fig. 15**



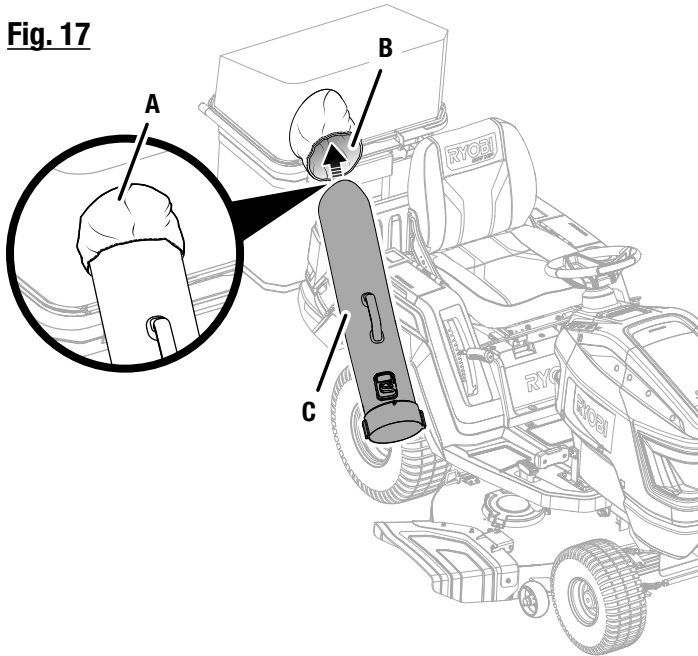
- A - Cover (couverture, cubierta)  
B - Bags (sacs, bolsas)  
C - Cover frame (cadre du couvercle, marco de la cubierta)

**Fig. 16**



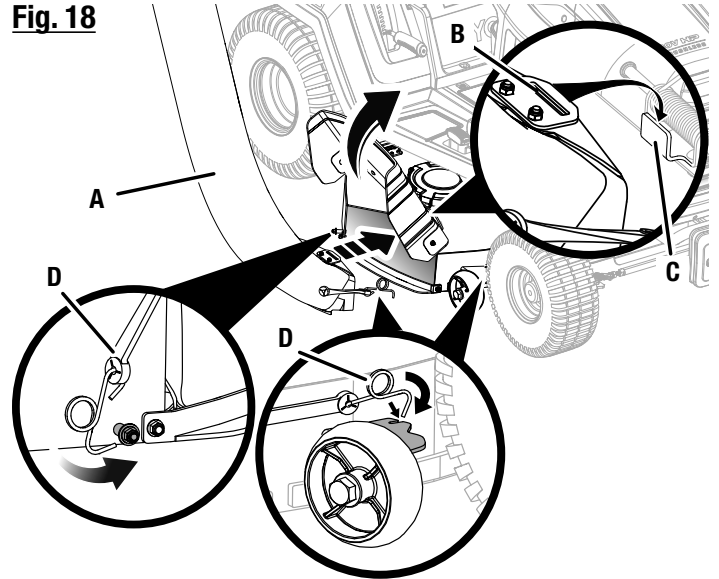
A - Elastic cord (cordon élastique, cable elástico)

**Fig. 17**



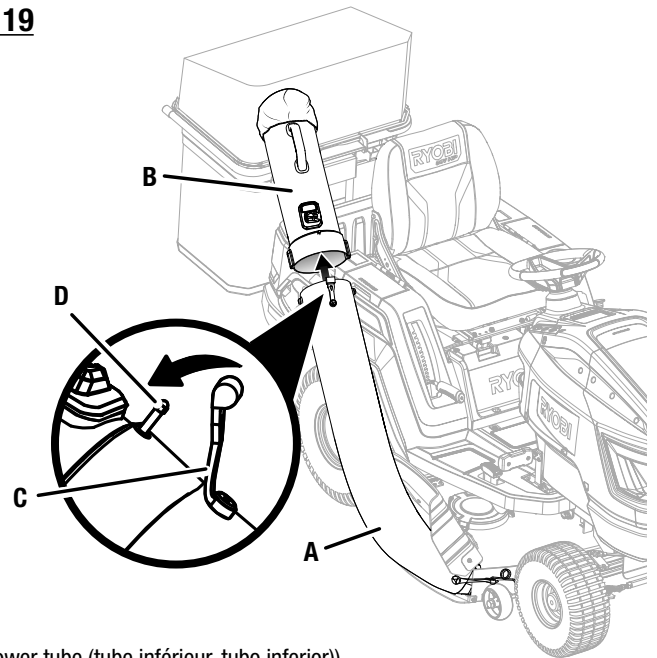
A - Sleeve (manchon, manga)  
B - Hole (trou, orificio)  
C - Upper tube (tube supérieur, tubo superior)

**Fig. 18**



A - Lower tube (tube inférieur, tubo inferior)  
B - Slot (fente, ranura)  
C - Tab (languette, lengüeta)  
D - Latch (loquet, pestillo)

**Fig. 19**



A - Lower tube (tube inférieur, tubo inferior)  
B - Upper tube (tube supérieur, tubo superior)  
C - Latch (loquet, pestillo)  
D - Tab (languette, lengüeta)

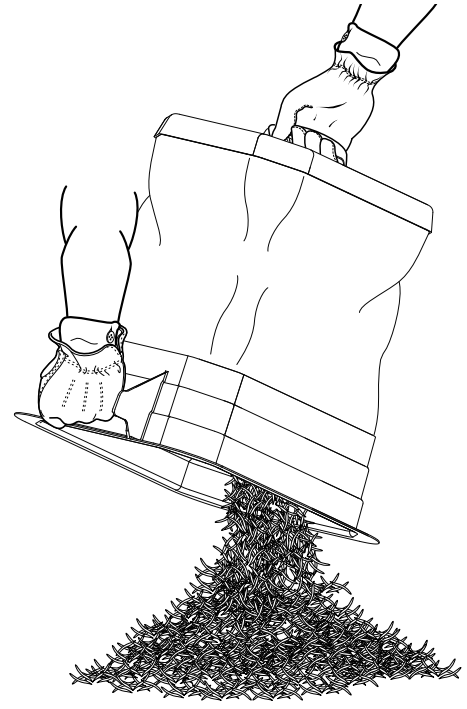
**Fig. 20**



A - Bag full indicator (indicateur de sac plein, indicador de bolsas llenas)

---

**Fig. 21**



# IMPORTANT SAFETY INSTRUCTIONS

## **WARNING!**

To reduce the risk of injury, user must read and understand the operator's manual for their lawn tractor before using this accessory. Save these instructions. Refer to them frequently and use them to instruct other users. If you loan someone this product, loan them these instructions also.

## **WARNING!**

This attachment was designed to be operated according to the safe operating practices in this manual. Mowers are capable of amputating hands and feet and throwing objects. Failure to comply with the following safety instructions, as well as the safety instructions provided with your mower, could result in serious injury or death.




- Do not operate the mower without the side discharge cover or full grass catcher assembly properly installed. A missing or damaged side discharge cover or bagger attachment component may result in thrown objects or blade contact injuries.
- The bagger assembly is subject to deterioration and wear which could expose moving parts or allow thrown objects. The assembly should be checked each time the mower is used. If replacement is needed, make sure the new bagger meets original manufacturer's recommendations and specifications.
- Stop engine, set the parking brake, and wait for all moving parts to stop before opening bagger cover.
- Stop engine, set the parking brake, remove start key, and wait for all moving parts to stop before unclogging discharge opening or bagger components.
- Stop engine, set the parking brake, remove start key, and wait for all moving parts to stop before removing tubes or other bagger assembly components.
- Slopes are a major factor related to loss of control and tip-over accidents, which can result in severe injury or death. Operation on all slopes requires extra caution. If you cannot back up the slope or if you feel uneasy on it, do not mow it. Do not reverse down a slope. When using the bagger, never use on steep slopes greater than 10°.
- As the bagger fills, extra weight is added to the back of the machine. Use extra care while operating machine with bagger, which can affect the stability of the machine. A heavy bagger could cause loss of control or overturn the machine.
- For your safety, measure any slope before using the machine on the sloped area. Use a slope measuring device in addition to the slope gauge at the back of this manual.
- Mow up and down slopes, not across.
- Watch for holes, ruts, bumps, rocks, or other hidden objects. Uneven terrain could overturn the machine. Tall grass can hide obstacles.
- Use a slow speed so you will not have to stop suddenly or accidentally accelerate while on a slope. Rapid acceleration or braking on a slope could cause the front of the machine to lift and roll over, resulting in serious personal injury or death. Avoid uphill starts.
- Do not mow on wet grass. Tires may lose traction and you may lose control.
- Always apply the brake when going down slopes. Do not coast downhill, which may cause you to lose control of the mower.
- Avoid starting, stopping, or turning on a slope. If the tires lose traction, disengage the blades and proceed slowly straight down the slope.
- Keep all movement on slopes slow and gradual. Do not make sudden changes in speed or direction, which could cause the machine to roll over.
- Do not try to stabilize the machine by putting your foot on the ground.
- For household use only.

## SAVE THESE INSTRUCTIONS






# SYMBOLS

The following signal words and meanings are intended to explain the levels of risk associated with this product.

SYMBOL	SIGNAL	MEANING
	<b>DANGER:</b>	Indicates a hazardous situation, which, if not avoided, will result in death or serious injury.
	<b>WARNING:</b>	Indicates a hazardous situation, which, if not avoided, could result in death or serious injury.
	<b>CAUTION:</b>	Indicates a hazardous situation, that, if not avoided, may result in minor or moderate injury.
	<b>NOTICE:</b>	(Without Safety Alert Symbol) Indicates information considered important, but not related to a potential injury (e.g. messages relating to property damage).

Some of the following symbols may be used on this product. Please study them and learn their meaning. Proper interpretation of these symbols will allow you to operate the product better and safer.

SYMBOL	NAME	DESIGNATION/EXPLANATION
	Safety Alert	Indicates a potential personal injury hazard.
	Read Operator's Manual	To reduce the risk of injury, user must read and understand operator's manual before using this product.
	Eye Protection	Always wear eye protection with side shields marked to comply with ANSI Z87.1 when operating this equipment.

# ASSEMBLY

## KNOW YOUR BAGGING KIT

See Figure 1.

The safe use of this product requires an understanding of the information on the tool and in this operator's manual as well as a knowledge of the project you are attempting. Before use of this product, familiarize yourself with all operating features and safety rules.

## UNPACKING

This product requires assembly.

- Carefully remove the product and any accessories from the box. Make sure that all items listed in the **Packing List** are included.

### **WARNING:**

Do not use this product if any parts on the **Packing List** are already assembled to your product when you unpack it. Parts on this list are not assembled to the product by the manufacturer and require customer installation. Use of a product that may have been improperly assembled could result in serious personal injury.

- Inspect the product carefully to make sure no breakage or damage occurred during shipping.
- Do not discard the packing material until you have carefully inspected and satisfactorily operated the product.
- If any parts are damaged or missing, please call 1-800-525-2579 for assistance.

### **WARNING:**

To reduce the risk of injury, user must read and understand the operator's manual for their lawn tractor before using this accessory. Save these instructions. Refer to them frequently and use them to instruct other users. If you loan someone this product, loan them these instructions also.

# ASSEMBLY

## PACKING LIST

Bagging Blades (2)  
Bagger Bracket  
Square Tube  
Counterweight Assembly  
Hitch Tightener Plate Assembly  
Cover Frame  
Bagger Cover  
Bags (2)  
Upper Bagger Tube  
Lower Bagger Tube  
Hitch Pins (2)  
Clips (2)  
Operator's Manual

## INSTALLING THE BAGGING KIT

The ACRM028 Bagging Kit is compatible with the RYOBI RYRM8006 lawn tractors. This kit includes a bagger and special mower blades designed to be used when bagging. Install the blades first, then install the bagging kit.

## REMOVING THE CUTTING DECK

See Figures 2 - 5.

If desired, the cutting deck can be removed from the mower to make accessing the blades easier when changing.

### **WARNING:**

Wear heavy gloves at all times while handling the cutting deck. Keep hands and fingers clear of pinch points.

- Move the mower to a level surface. Make sure the blade engage knob is down.
- Stop the motor, remove the start key, and set the parking brake.
- Move the deck height adjustment lever to the deck release position.

### **WARNING:**

The cutting deck lift is spring-assisted and under tension. Serious personal injury can occur if the spring-assisted deck lift is released suddenly. Always use the deck release position to secure the deck height adjustment lever in place while removing or installing the deck. Always keep hands and fingers below and away from deck lift.

- Disconnect the power cables (2) that connect the cutting deck to the mower.

- Pull the deck release handle out and rotate toward the back of the mower.

**NOTE:** To release tension on the quick release handle, it may be necessary to pull up on the front of the deck while pulling the handle back. You may also place a 3 in. high block of wood under the middle of the front edge of the deck to release the tension. See Figure 4, A and B for hand placement.

- Repeat on the opposite side of the mower.
- Lift the deck and slide forward to detach the deck clip from the J-hook.
- Slide the deck out from under the mower.
- Reverse the process to reattach the cutting deck to the mower.

## INSTALLING BAGGING BLADES

See Figures 6 - 7.

### **WARNING:**

Only use replacement blades and blade bolts authorized by the manufacturer of your riding mower. Unauthorized blades and/or blade bolts could break, allowing the blade to come loose, resulting in possible serious personal injury and damage to the mower.

**NOTE:** Make certain all parts are replaced in the exact order in which they were removed.

- Move the mower to a level surface. Make sure to set the parking brake and blade engage knob is down.
- Stop the motor and remove the start key.
- Raise the height of the cutting deck to its highest position to allow access to blades.

**NOTE:** If necessary, raise the mower by placing on a lift or using a jack and jack stands to gain access to the blades.

### **WARNING:**

If raising the mower to access the blades, make sure the mower is properly secured and the parking brake is set before proceeding. Failure to properly secure the mower could cause it to fall, resulting in death or possible serious personal injury.

- Wedge a block of wood between the blade and mower deck to prevent the blade from turning.
- Loosen the blade nut by turning it counterclockwise (as viewed from bottom of mower) using a 15 mm wrench or socket (not provided).
- Remove the blade nut, spring washer, and blade.

# ASSEMBLY

- Place the new blade on the shaft against the corresponding blade posts. Ensure blade is properly seated with shaft going through center blade hole and the two blade posts inserted into their respective holes on the blade. Make sure it is installed with the curved ends pointing up toward the mower deck and not down toward the ground. When seated properly, the straight sides should be aligned and the blade should be flat against the blade posts.
- Replace the spring washer, then thread the blade nut on the shaft and finger tighten.
- Torque the blade nut down clockwise using a torque wrench (not provided) to ensure the bolt is properly tightened. The recommended torque for the blade nut is 455 in. lbs.

## WARNING:

Ensure blade is properly seated and the blade nut is tightened to the torque specifications above. Failure to properly attach the blade could cause it to come loose and result in possible serious personal injury.

- Repeat with second blade.

## INSTALLING THE COUNTERWEIGHT

See Figure 8.

## WARNING:

The counterweight assembly is required when operating the tractor equipped with a grass collector. Failure to install the counterweight assembly may result in serious injury or death.

- Insert counterweight assembly into hitch point on front of the tractor until holes are aligned as shown.
- Insert hitch pin through holes.
- Secure with clip.

## INSTALLING THE BAGGER

See Figures 9 - 19.

- Remove two bolts from long side of triangle plate on square tube as shown and set aside.
- Align holes in triangle plate over holes in bagger bracket.  
**NOTE:** When fully assembled, the straight tube of the bagger bracket assembly will be on the same side as the mower discharge outlet.
- Reinstall bolts (2) into holes and secure with nuts.  
**NOTE:** Tighten all four bolts in triangle plate.

- Locate hitch tightener plate assembly.
- Slide the assembly over the square tube as shown, with the lip of the plate facing upward and toward the bagger bracket.
- Insert bagger bracket assembly into the hitch point on the rear side of the mower until the holes are aligned as shown.
- Insert hitch pin through holes.
- Secure with clip.
- Slide hitch tightener plate assembly fully against hitch.
- Tighten nuts (2) on U-bolt to secure.
- Place cover frame on top of bracket shafts with the openings on cover frame sliding over the bracket shafts.
- Unfold the cover and place on top of the cover frame.
- Pull one of the back clips over the frame rail and secure it in place as shown.
- Fasten the other back clip and proceed to fasten the remaining clips around the frame.
- Raise the cover all the way up and slide bags onto bagger frame.
- Lower cover and secure using elastic cord.
- Remove mulch cover from mower, if installed.
- Lower tractor deck to its lowest position.
- Install the upper end of the top bagger tube (side with bag full indicator) into the hole in the back of the grass catcher cover.
- Install bottom bagger tube to side discharge outlet by placing opening over tab on mower deck frame, then hooking the fasteners to the frame as shown.
- Pull the top tube back out of the cover just far enough to connect the two tubes together, lining up hole in bottom tube latch with tab on upper tube. Push bottom tube latch over top tube tab to secure.
- Secure with rubber straps.
- Make sure inlet sleeve is pulled out and upper tube is completely inserted inside the bagger top.

# OPERATION

## **WARNING:**

Do not allow familiarity with products to make you careless. Remember that a careless fraction of a second is sufficient to inflict serious injury.

## **WARNING:**

Always wear eye protection with side shields marked to comply with ANSI Z87.1. Failure to do so could result in objects being thrown into your eyes resulting in possible serious injury.

## **WARNING:**

Do not use any attachments or accessories not recommended by the manufacturer of this product. The use of attachments or accessories not recommended can result in serious personal injury.

## **WARNING:**

Verify that all guards and tubes are in place prior to use. If any guard, part, or tube is damaged or missing, do not use the bagging kit until it has been repaired or replaced by a qualified service center. Use of the bagging kit with damaged or missing guards, parts, or tubes can result in serious personal injury or further damage to the unit.

## **NOTICE:**

Before each use, inspect the entire product for damaged, missing, or loose parts such as screws, nuts, bolts, caps, etc. Tighten securely all fasteners and caps and do not operate this product until all missing or damaged parts are replaced. Please contact customer service or an authorized service center for assistance.

## **APPLICATIONS**

You may use this product for the purposes listed below:

- Collecting leaves and grass clippings from your lawn

## **USING THE BAGGING KIT**

See Figures 20 - 21.

## **WARNING:**

Added accessories can affect the stability of the mower when operating on slopes. Use additional care when mowing on slopes with the bagging kit installed.

## **WARNING:**

Be especially careful before and when backing with the bagging kit installed, as it may limit visibility. Always look closely behind and down for small children, bystanders, and pets and move the mower slowly to prevent back over accidents that can cause death or serious personal injury.

- Install bagging kit as previously described.
- Mow as desired, keeping aware of the status of the bag full indicator. When the red ball in the indicator floats to the highest position, the bags are full and need to be emptied.
- Make sure the blade is not engaged.
- Stop the motor, remove the start key, and set the parking brake.
- Lift the cover and empty the clippings from the bags.
- Replace the bags and close the cover fully.
- Reinstall start key and restart mower when you are ready to return to mowing.

**NOTE:** Always empty the bags before storing the mower.

## **OPERATING TIPS**

- Avoid cutting wet grass or grass that is heavy with dew. Grass that is wet will be sticky and could adhere to bagger parts.
- If the bagger fails to pick up cut grass or leaves when the bags are not full, it may indicate that a clog has occurred. Stop the motor, remove the start key, set the parking brake, and check all parts of the bagger for clogged material.
- If desired, plastic trash bags can be inserted inside bagger for ease of debris disposal.

# MAINTENANCE

## **WARNING:**

To avoid serious personal injury, always stop the mower, set the parking brake, and remove the start key when cleaning or performing any maintenance.

## **WARNING:**

Always wear eye protection with side shields marked to comply with ANSI Z87.1. Failure to do so could result in objects being thrown into your eyes resulting in possible serious injury.

## **WARNING:**

When servicing, use only identical replacement parts. Use of any other parts can create a hazard or cause product damage.

## **WARNING:**

Never use water or any liquids to clean or rinse off your product and do not expose the product to rain or wet conditions. Store indoors in a dry area. Corrosive liquids, water, and chemicals can enter the product's electronic components and/or battery compartment and damage electronic components and/or the battery pack, which can result in a short circuit, increased risk of fire, and serious personal injury. Remove any buildup of dirt and debris by wiping the product clean with a dry cloth occasionally.

## **NOTICE :**

Periodically inspect the entire product for damaged, missing, or loose parts such as screws, nuts, bolts, caps, etc. Tighten securely all fasteners and caps and do not operate this product until all missing or damaged parts are replaced. Please contact customer service or an authorized service center for assistance.

## **GENERAL MAINTENANCE**

The bagger assembly is subject to deterioration and wear and should be checked each time the mower is used. If replacement is needed, make sure the new bagger meets original manufacturer's recommendations and specifications.

## **WARNING:**

Do not at any time let brake fluids, gasoline, petroleum-based products, penetrating oils, etc., come in contact with plastic parts. Chemicals can damage, weaken or destroy plastic which can result in serious personal injury.

## **STORAGE**

- Clean all foreign material from the grass bag.
- Store indoors in a secure place that is inaccessible to children. Keep away from corrosive agents such as garden chemicals and de-icing salts.

**Register your product: [www.ryobitools.com](http://www.ryobitools.com) or  
call toll-free 1-800-525-2579**

***This product has a 30-day Warranty.***

# RÈGLES DE SÉCURITÉ IMPORTANTES

## **⚠ AVERTISSEMENT !**

Pour réduire le risque de blessure, l'utilisateur doit lire et comprendre le manuel d'utilisation de sa tracteur de pelouse avant d'utiliser cet accessoire. Conserver les présentes instructions. Les consulter fréquemment et les utiliser pour informer les autres utilisateurs. Si on prête ce produit à quelqu'un, lui prêter également les présentes instructions.

## **⚠ AVERTISSEMENT !**




Cet accessoire a été conçu pour être utilisé conformément aux pratiques de fonctionnement sécuritaires incluses dans le présent guide. Les tondeuses peuvent causer l'amputation des mains et des pieds, en plus de projeter des objets. Le non-respect des instructions de sécurité suivantes, ainsi que des instructions de sécurité fournies avec sa tondeuse, peut causer des blessures graves ou la mort.

- Utiliser uniquement la tondeuse si le couvercle de la décharge latérale ou l'ensemble complet du bac à herbe est correctement installé. Si le couvercle de la décharge latérale ou le composant de l'accessoire d'ensachage est manquant ou endommagé, des objets pourraient être projetés ou des blessures pourraient survenir en raison du contact avec la lame.
- L'ensemble d'ensachage est susceptible de se détériorer et de s'user, ce qui pourrait causer l'exposition de pièces mobiles ou la projection d'objets. Il faut vérifier l'ensemble chaque fois qu'on utilise la tondeuse. Si une pièce de rechange est requise, s'assurer que la nouvelle ensacheuse respecte les recommandations et les spécifications du fabricant d'origine.
- Arrêter le moteur, régler le frein de stationnement et attendre que toutes les pièces mobiles soient arrêtées avant d'ouvrir le couvercle de l'ensacheuse.
- Arrêter le moteur, régler le frein de stationnement, retirer la clé de démarrage et attendre que toutes les pièces mobiles soient arrêtées avant de débloquent l'ouverture de la décharge ou les composants de l'ensacheuse.
- Arrêter le moteur, régler le frein de stationnement, retirer la clé de démarrage et attendre que toutes les pièces mobiles soient arrêtées avant de retirer les tubes ou d'autres composants d'assemblage de l'ensacheuse.
- Les pentes représentent un facteur majeur des accidents causés par la perte de contrôle ou le renversement et sont cause de blessures graves ou mortelles. Toute opération sur des pentes exige une extrême prudence. S'il est impossible d'aborder une pente ou si vous ne vous y sentez pas à l'aise, ne la tondez pas. Ne pas manœuvrer à sens inverse dans une pente. Ne jamais utiliser l'ensacheuse sur des pentes abruptes de plus de 10°.
- Au fur et à mesure que l'ensacheuse se remplit, du poids s'ajoute à l'arrière de la machine. Faire particulièrement attention lorsqu'on utilise la machine avec l'ensacheuse, car elle peut en affecter la stabilité. Une ensacheuse lourde peut causer une perte de contrôle ou le basculement de la machine.
- Pour sa propre sécurité, mesurer chaque pente avant d'utiliser la machine dans une zone en pente. Utiliser un appareil de mesure des pentes, en plus de l'indicateur de pente qui se trouve à l'arrière du présent manuel.
- Tondre les pentes de haut en bas, et non pas de côté.
- Faire attention aux trous, ornières, bosses, roches ou autres objets cachés. Un terrain inégal représente un risque de basculement de la machine. L'herbe haute peut dissimuler des obstacles.
- Sur une pente, aller à basse vitesse afin de ne pas avoir à arrêter brusquement ou de ne pas accélérer de façon accidentelle. Le fait d'accélérer ou de freiner rapidement sur une pente pourrait faire en sorte que l'avant de la machine se soulève et se renverse, ce qui pourrait causer des blessures graves ou la mort. Éviter de démarrer sur une pente ascendante.
- Ne pas tondre le gazon mouillé. Ceci peut causer la perte de traction des pneus et une perte de contrôle.
- Toujours actionner le frein lorsqu'on descend des pentes. Ne pas descendre une pente en roue libre, car cela pourrait entraîner une perte de contrôle de la tondeuse.
- Éviter de démarrer, d'arrêter ou de tourner dans une pente. Si la traction des pneus diminue, arrêter les lames et descendre lentement la pente en ligne droite.
- Toujours effectuer des mouvements lents et graduels sur les pentes. Ne pas changer brusquement de vitesse ou de direction pour éviter le capotage de la machine.
- Ne pas essayer de stabiliser la machine en mettant son pied au sol.
- Pour utilisation domestique seulement.




## CONSERVER CES INSTRUCTIONS

# SYMBOLES

Les termes de mise en garde suivants et leur signification ont pour but d'expliquer le degré de risques associé à l'utilisation de ce produit.

SYMBOLE	SIGNAL	SIGNIFICATION
	<b>DANGER :</b>	Indique une situation dangereuse qui, si elle n'est pas évitée, aura pour conséquences des blessures graves ou mortelles.
	<b>AVERTISSEMENT :</b>	Indique une situation dangereuse qui, si elle n'est pas évitée, pourrait entraîner des blessures graves ou mortelles.
	<b>ATTENTION :</b>	Indique une situation dangereuse qui, si elle n'est pas évitée, pourrait entraîner des blessures légères ou de gravité modérée.
	<b>AVIS :</b>	(Sans symbole d'alerte de sécurité) Indique les informations jugées importantes sans toutefois représenter un risque de blessure (ex. : messages concernant les dommages matériels).

Certains des symboles ci-dessous peuvent être utilisés sur produit. Veiller à les étudier et à apprendre leur signification. Une interprétation correcte de ces symboles permettra d'utiliser produit plus efficacement et de réduire les risques.

SYMBOLE	NOM	DÉSIGNATION / EXPLICATION
	Symbole d'alerte de sécurité	Indique un risque de blessure potentiel.
	Lire le manuel d'utilisation	Pour réduire les risques de blessures, l'utilisateur doit lire et veiller à bien comprendre le manuel d'utilisation avant d'utiliser ce produit.
	Protection oculaire	Toujours porter une protection oculaire avec écrans latéraux certifiée conforme à la norme ANSI Z87.1 ainsi.

# ASSEMBLAGE

## APPRENDRE À CONNAÎTRE VOTRE TROUSSE D'ENSACHAGE

Voir la figure 1.

La sécurité d'utilisation de ce produit exige la compréhension des informations apposées sur l'outil et contenues dans ce manuel d'utilisation, ainsi que la connaissance du travail à exécuter. Avant d'utiliser ce produit, se familiariser avec toutes ses fonctions et règles de sécurité.

## DÉBALLAGE

Ce produit nécessite l'assemblage.

- Avec précaution, sortir le produit et les accessoires de la boîte. S'assurer que toutes les pièces figurant sur la **Liste de contrôle d'expédition** sont incluses.

## AVERTISSEMENT :

Ne pas utiliser le produit si, en le déballant, vous constatez que des éléments figurant dans la **Liste de contrôle d'expédition** sont déjà assemblés. Certaines pièces figurant sur cette liste n'ont pas été assemblées par le fabricant et exigent une installation. Le fait d'utiliser un produit qui a été assemblé de façon inadéquate peut entraîner des blessures.

- Examiner soigneusement le produit pour s'assurer que rien n'a été brisé ou endommagé en cours de transport.
- Ne pas jeter les matériaux d'emballage avant d'avoir soigneusement examiné l'outil et avoir vérifié qu'il fonctionne correctement.
- Si des pièces sont manquantes ou endommagées, appeler le 1-800-525-2579.

# ASSEMBLAGE

## AVERTISSEMENT :

Pour réduire le risque de blessure, l'utilisateur doit lire et comprendre le manuel d'utilisation de sa tracteur de pelouse avant d'utiliser cet accessoire. Conserver ces instructions. Les consulter fréquemment et les utiliser pour instruire les autres utilisateurs. Si cet produit est prêté, il doit être accompagné de ces instructions.

## LISTE DE CONTRÔLE D'EXPÉDITION

Lames d'ensachage (2)  
Support d'ensacheuse  
Tube carré  
Ensemble de contrepoids  
Ensemble de la plaque de serrage de l'attelage  
Cadre du couvercle  
Couvercle  
Sacs (2)  
Tube d'ensacheuse supérieur  
Tube d'ensacheuse inférieur  
Goupille d'attelage (2)  
Pince d'attelage (2)  
Manuel d'utilisation

## INSTALLATION LA TROUSSE D'ENSACHAGE

Le trousse d'ensachage ACRM028 est compatible avec les tracteurs de pelouse RYOBI RYRM8006. Cette trousse inclut une ensacheuse et des lames de tondeuse spéciales conçues pour être utilisées lors de l'ensachage. Installer d'abord les lames puis installer la trousse d'ensachage.

## DÉMONTAGE DU PLATEAU DE COUPE

Voir les figures 2 à 5.

Si désiré, démonter le plateau de coupe de la tondeuse pour faciliter le remplacement des lames.

## AVERTISSEMENT :

Porter des gants robustes en tout temps au moment de manipuler le plateau de coupe. Maintenir les mains et les doigts à l'écart des points de pincement.

- Placer la tondeuse sur une surface plate. S'assurer que le bouton d'embrayage de la lame est placé vers le bas.
- Arrêter le moteur, retirer la clé de démarrage et enclencher le frein à main.
- Déplacer le levier de réglage de la hauteur du plateau en position de dégagement du plateau.

## AVERTISSEMENT :

Le levage du plateau de coupe est à ressorts et est sous tension. Un dégagement soudain du levage du plateau à ressorts peut entraîner une blessure grave. Toujours utiliser la fiche d'arrêt automatique pour sécuriser le levier de réglage de la hauteur du plateau au moment de retirer ou installer le plateau. Maintenir en tout temps les mains et les doigts en dessous et à l'écart du levage du plateau.

- Débrancher les câbles (2) d'alimentation qui raccordent le plateau de coupe à la tondeuse.
- Tirer sur la poignée de dégagement du plateau et la faire tourner vers l'arrière de la tondeuse.  
**NOTE :** Pour relâcher la tension sur la poignée de dégagement rapide, il peut être nécessaire de tirer l'avant du plateau vers le haut, tout en tirant la poignée vers l'arrière. Un bloc de bois de 7,62 cm peut aussi être placé sous le milieu du bord avant du plateau pour relâcher la tension. Voir la figure 4, A et B pour le positionnement des mains.
- Répéter cette étape du côté opposé de la tondeuse.
- Soulever le plateau et le faire glisser pour détacher la pince du plateau du crochet en J.
- Glisser le plateau hors du dessous de la tondeuse.
- Inverser la procédure pour réinstaller le plateau de coupe à la tondeuse.

## INSTALLATION DES LAMES D'ENSACHAGE

Voir les figures 6 à 7.

## AVERTISSEMENT :

Utiliser seulement les lames de rechange et les boulons de lame autorisés par le fabricant de la tondeuse autoportée. Des lames ou boulons pour lames non autorisés pourraient briser et causer un délogement de la lame pouvant provoquer des blessures graves ou des dommages à la tondeuse.

- NOTE :** Assurez-vous que toutes les pièces soient replacées dans l'ordre exact dans lequel elles ont été enlevées.
- Placer la tondeuse sur une surface plate. S'assurer d'engager le frein de stationnement et que le bouton d'enclenchement de lame est enfoncé.
- Arrêtez le moteur, retirez la clé de démarrage et enclencher le frein à main.
- Lever le plateau de coupe à la position la plus haute pour pouvoir accéder aux lames.  
**NOTE :** Si nécessaire, soulever la tondeuse en la plaçant sur un pont élévateur ou en utilisant un vérin de levage et des chandelles afin d'avoir accès aux lames.



# ASSEMBLAGE

## AVERTISSEMENT :

Lorsque la tondeuse est soulevée afin de pouvoir accéder aux lames, s'assurer que la tondeuse est correctement immobilisée et que le frein à main est enclenché avant d'effectuer le changement de lames. Ne pas prendre cette précaution représente un risque de chute de la tondeuse et causer possiblement des blessures graves ou mortelles.

- Mettez une pièce de bois entre la lame et le châssis de la tondeuse pour empêcher la lame de tourner.
- Desserrez l'écrou de la lame en le tournant dans le sens antihoraire (par rapport au bas de la tondeuse) en utilisant une clé de 15 mm ou une douille (non fournies).
- Enlevez l'écrou de lame, la rondelle élastique et la lame.
- Placez la nouvelle lame sur l'arbre contre les tiges du lame correspondant. S'assurer que la lame est bien appuyée sur l'arbre. Celui-ci doit passer dans le trou central de la lame et les deux tiges pour lame doivent s'insérer dans leur trou respectif sur la lame. Assurez-vous que les bouts incurvés soient orientés en direction du châssis de la tondeuse et non en direction du sol. Une fois bien appuyée, les côtés droits doivent être alignés et la lame devrait être à plat contre les tiges du lame.
- Remettez la rondelle élastique, puis vissez l'écrou de lame sur l'arbre et serrez à main.
- Serrez l'écrou de lame sens horaire en utilisant une clé dynamométrique (non fournie) pour s'assurer que l'écrou est bien serré. Le couple de serrage recommandé pour l'écrou de lame est de 455 po-lb.

## AVERTISSEMENT :

S'assurer que la lame est assise correctement et que l'écrou de lame est serré au couple indiqué ci-dessus. Ne pas fixer correctement la lame peut provoquer un relâchement de cette dernière et représenter un risque de blessure grave.

- Répéter avec la deuxième lame.

## INSTALLATION DE L'ENSEMBLE DE CONTREPOIDS

Voir la figure 8.

## AVERTISSEMENT :

L'ensemble de contrepoids est nécessaire pour utiliser le tracteur équipé d'un collecteur d'herbe. Ne pas installer l'ensemble de contrepoids peut entraîner des blessures graves, voire mortelles.

- Insérer l'ensemble de contrepoids dans le point d'attelage à l'avant du tracteur jusqu'à ce que les trous soient alignés, comme il est illustré.
- Insérer la goupille d'attelage dans les trous.
- Sécuriser avec la pince.

## INSTALLATION DE L'ENSEMBLE D'ENSACHAGE

Voir la figure 9 à 19.

- Retirer les deux boulons du côté long de la plaque triangulaire sur le tube carré, comme il est illustré, puis les mettre de côté.
- Aligner les trous de la plaque triangulaire sur les trous du support d'ensacheuse.  
**NOTE :** Lorsqu'il est entièrement assemblé, le tube droit du support d'ensacheuse se trouve du même côté que la sortie d'éjection de la tondeuse.
- Remettre les boulons (2) dans les trous et sécuriser avec les écrous.  
**NOTE :** Serrer les quatre boulons de la plaque triangulaire.
- Localiser l'ensemble de la plaque de serrage de l'attelage.
- Glisser l'ensemble sur le tube carré comme il est illustré, avec la lèvre de la plaque tournée vers le haut et vers le support d'ensacheuse.
- Insérer l'ensemble du support d'ensacheuse dans le point d'attelage à l'arrière de la tondeuse jusqu'à ce que les trous soient alignés, comme il est illustré.
- Insérer la goupille d'attelage dans les trous.
- Sécuriser avec la pince.
- Glisser l'ensemble de la plaque de serrage de l'attelage à fond contre l'attelage.
- Serrer les écrous (2) sur le boulon en U pour sécuriser.
- Placer le cadre du couvercle sur les tiges de support en insérant ces dernières dans les ouvertures du cadre du couvercle.
- Déplier le couvercle et placer sur le cadre du couvercle.
- Tirer une des barrettes arrière sur le rail du cadre et sécuriser en place, comme il est illustré.
- Attacher l'autre barrette et continuer à attacher le reste des barrettes le long du cadre.
- Ouvrir complètement le couvercle et glisser les sacs sur le cadre de l'ensacheuse.
- Abaisser le couvercle et fixer le avec le cordon élastique.
- Retirer le couvercle d'éjecteur d'herbe de la tondeuse s'il est installé.
- Abaisser le plateau du tracteur jusqu'à sa position la plus basse.
- Installer l'extrémité supérieure du tube d'ensacheuse (côté avec indicateur de sac plein) dans le trou situé derrière le couvercle du bac de ramassage.

# ASSEMBLAGE

- Installer le tube d'ensachage inférieur du côté de la buse de décharge en plaçant l'ouverture sur la languette du châssis de la tondeuse puis en accrochant les loquets aux châssis, comme illustré.
- Tirer suffisamment le tube supérieur vers l'arrière du couvercle de manière à pouvoir raccorder les deux tubes ensemble et en alignant le trou de la languette du tube inférieur avec la languette du tube supérieur. Pousser la languette du tube inférieur par-dessus le tube supérieur pour fixer ensemble.
- Sécuriser avec des sangles en caoutchouc.
- S'assurer que la gaine d'entrée est retirée et que le tube supérieur est complètement inséré dans le couvercle de l'ensacheuse.

# UTILISATION

## AVERTISSEMENT :

Ne pas laisser la familiarité avec ce produit faire oublier la prudence. Ne pas oublier qu'une fraction de seconde d'inattention peut entraîner des blessures graves.

## AVERTISSEMENT :

Toujours porter une protection oculaire avec écrans latéraux certifiée conforme à la norme ANSI Z87.1 ainsi. Si cette précaution n'est pas prise, des objets peuvent être projetés dans les yeux et causer des lésions graves.

## AVERTISSEMENT :

Ne pas utiliser d'outils ou accessoires non recommandés par le fabricant pour ce produit. L'utilisation de pièces et accessoires non recommandés peut entraîner des blessures graves.

## AVERTISSEMENT :

S'assurer que tous les protecteurs et tubes sont installés correctement avant l'utilisation. Si un protecteur, une pièce ou un tube est endommagé ou manquant, ne pas utiliser le souffleur tant que ce dernier n'est pas réparé ou remplacé par un centre de réparations qualifié. L'utilisation d'un souffleur comportant des protecteurs, des pièces ou des tubes endommagés ou manquants représente un risque de blessures graves et d'endommager le produit.

## AVIS :

Avant chaque utilisation, inspecter au complet le produit afin de s'assurer qu'aucune pièce (vis, écrous, boulons, chapeaux, etc.) n'est endommagée, manquante ou desserrée. Serrer solidement toutes les pièces de fixation et les chapeaux et ne pas utiliser le produit tant que toutes les pièces manquantes ou endommagées n'ont pas été remplacées. Pour obtenir de l'aide, veuillez communiquer avec le service à la clientèle ou un centre de réparations agréé.

## APPLICATIONS

Ce produit peut être utilisé pour les applications ci-dessous :

- Ramassage des feuilles et des déchets de coupe de sa pelouse

## UTILISATION DE LA TROUSSE D'ENSACHAGE

Voir les figures 20 et 21.

## AVERTISSEMENT :

Les accessoires ajoutés peuvent nuire à la stabilité de la tondeuse pendant la coupe effectuée sur des pentes. Effectuer les déplacements de tondeuse sur les pentes avec grande prudence lorsque la trousse d'ensachage est installée.

## AVERTISSEMENT :

Une prudence accrue est requise avant et pendant la marche arrière lorsque la trousse d'ensachage est installée, car cette dernière nuit au champ de vision. Toujours regarder attentivement derrière en vers le bas pour éviter tout contact avec les petits enfants, les spectateurs et les animaux et déplacer lentement la tondeuse pour éviter les accidents en marche arrière pouvant causer des blessures graves ou mortelles.

- Installer la trousse d'ensachage comme décrit auparavant.
- Tondre au besoin. Surveiller l'état de l'indicateur de sac plein. Quand la boule rouge dans l'indicateur flotte à la position la plus haute, les sacs sont pleins et doivent être vidés.
- Vérifier que la lame n'est pas engagée.
- Arrêter le moteur, retirer la clé de contact et enclencher le frein à main.
- Soulever le couvercle et vider l'herbe coupée des sacs.
- Réinstaller les sacs et fermer complètement le couvercle.
- Réinsérer la clé de contact et redémarrer la tondeuse dès que vous êtes prêt à tondre.

**NOTE :** Toujours vider les sacs avant de ranger la tondeuse.

# UTILISATION

## CONSEILS D'UTILISATION

- Éviter de couper une pelouse ou de l'herbe humide ou imprégnée de rosée. L'herbe humide est collante et peut adhérer aux pièces de l'ensacheuse.
- Si l'ensacheuse ne recueille pas l'herbe coupée ou les feuilles même lorsque le sac n'est pas plein, ceci indique

la présence d'une obstruction. Arrêter le moteur, retirer la clé de contact, enclencher le frein à main et s'assurer qu'aucune pièce n'est obstruée par des débris.

- Si désiré, les sacs à poubelle en plastique peuvent être insérés dans l'ensacheuse afin de faciliter la cueillette.

# ENTRETIEN

## AVERTISSEMENT :

Pour éviter des blessures graves, toujours arrêter la tondeuse, régler le frein de stationnement et retirer la clé de démarrage lors du nettoyage ou de toute autre tâche d'entretien.

## AVERTISSEMENT :

Toujours porter une protection oculaire avec écrans latéraux certifiée conforme à la norme ANSI Z87.1 ainsi. Si cette précaution n'est pas prise, des objets peuvent être projetés dans les yeux et causer des lésions graves.

## AVERTISSEMENT :

Utiliser exclusivement des pièces d'origine pour les réparations. L'usage de toute autre pièce pourrait créer une situation dangereuse ou endommager l'outil.

## AVERTISSEMENT :

Ne jamais utiliser de l'eau ou une autre liquide pour nettoyer ou rincer la produit et n'exposez pas à la pluie ou conditions l'humidité. La remiser à l'intérieur dans un endroit sec. Les liquides corrosifs, l'eau et les produits chimiques peuvent s'infiltrer dans le composants électroniques et/ou le compartiment de la pile et endommager les composants électroniques et/ou le bloc-pile, ce qui peut entraîner un court-circuit, augmenter le risque d'incendie ou des blessures corporelles graves. Enlever toute accumulation de la saleté et les débris sur la produit de temps en temps avec un linge sec.

## AVIS :

Inspecter périodiquement au complet le produit afin de s'assurer qu'aucune pièce (vis, écrous, boulons, chapeaux, etc.) n'est endommagée, manquante ou desserrée. Serrer solidement toutes les pièces de fixation et les chapeaux et ne pas utiliser le produit tant que toutes les pièces manquantes ou endommagées n'ont pas été remplacées. Pour obtenir de l'aide, veuillez communiquer avec le Service à la clientèle ou un centre de réparations agréé.

## ENTRETIEN GÉNÉRAL

L'assemblage du collecteur d'herbe peut se détériorer et s'user et doit être vérifié chaque fois avant d'utiliser la tondeuse à gazon. S'il doit être remplacé, s'assurer que le nouveau collecteur d'herbe répond aux exigences et aux spécifications du fabricant d'origine.

## AVERTISSEMENT :

Ne jamais laisser de liquides tels que le fluide de freins, l'essence, les produits à base de pétrole, les huiles pénétrantes, etc., entrer en contact avec les pièces en plastique. Les produits chimiques peuvent endommager, affaiblir ou détruire le plastique, ce qui peut entraîner des blessures graves.

## REMISAGE

- Nettoyer soigneusement le sac de l'herbe.
- La remiser à l'intérieur, inaccessible aux enfants. La tenir à l'écart de produits corrosifs, tels que les produits chimiques de jardinage et le sel de dégivrage.

**Enregistrer le produit : [www.ryobitools.com](http://www.ryobitools.com) ou nous téléphoner au 1-800-525-2579**  
**Ce produit est couvert par une garantie limitée de trente (30) jours.**

# INSTRUCCIONES IMPORTANTES DE SEGURIDAD

## ¡ADVERTENCIA!

Para reducir el riesgo de lesiones, el usuario debe leer y comprender el manual del operador de la tractor de césped antes de usar este accesorio. Guarde estas instrucciones. Consúltelas con frecuencia y utilícelas para instruir a otros usuarios. Si le presta este producto a alguien, entréguele también estas instrucciones.

## ¡ADVERTENCIA!

Este accesorio se diseñó para usarse de acuerdo con las prácticas de operación segura de este manual. Las podadoras de césped pueden amputar manos y pies, y despedir/arrojar objetos. El incumplimiento de las siguientes instrucciones de seguridad, así como de las instrucciones de seguridad provistas con la podadora, podría provocar lesiones graves o la muerte.

- No opere la podadora sin la cubierta de descarga lateral o el conjunto del colector de césped completo correctamente instalado. Una cubierta de descarga lateral o un componente de accesorio de embolsadora faltantes o dañados podrían resultar en objetos arrojados o lesiones por contacto con la cuchilla.
- El conjunto de la embolsadora está sujeto a deterioro y desgaste, lo que podría exponer las piezas móviles o resultar en objetos arrojados. El conjunto debe revisarse cada vez que se utilice la podadora. Si es necesario reemplazarlo, asegúrese de que la nueva embolsadora cumpla con las recomendaciones y especificaciones del fabricante original.
- Detenga el motor, ponga el freno de mano y espere a que se detengan todas las piezas en movimiento antes de abrir la cubierta de la embolsadora.
- Detenga el motor, ponga el freno de mano, retire la llave de arranque y espere a que se detengan todas las piezas en movimiento antes de desatascar la abertura de descarga o los componentes de la embolsadora.
- Detenga el motor, ponga el freno de estacionamiento, retire la llave de arranque y espere a que se detengan todas las piezas en movimiento antes de retirar los tubos u otros componentes del conjunto de la embolsadora.
- Las pendientes son un factor importante relacionado con la pérdida de control y accidentes de vuelcos, lo que puede provocar heridas graves o la muerte. El uso en

pendientes requiere mayor precaución. Si no puede dar marcha atrás en la pendiente o si se siente incómodo, no puede. No retroceda en una pendiente hacia abajo. Cuando utilice la embolsadora, nunca la utilice en pendientes pronunciadas de más de 10°.

- A medida que se llena la embolsadora, se agrega peso adicional a la parte trasera de la máquina. Tenga mucho cuidado al operar la máquina con la embolsadora, ya que esta puede afectar la estabilidad de la máquina. Una embolsadora pesada podría causar la pérdida de control o hacer que la máquina vuelque.
- Para su seguridad, mida cualquier pendiente antes de usar la máquina en el área en cuestión. Utilice un dispositivo de medición de pendientes además del indicador de pendientes que se encuentra en la parte posterior de este manual.
- Pude hacia arriba y hacia abajo en pendientes, no transversalmente.
- Esté atento a agujeros, surcos, baches, rocas u otros objetos ocultos. El terreno despereado podría hacer que la máquina vuelque. El pasto alto puede esconder obstáculos.
- Conduzca a baja velocidad para que no tenga que detenerse repentinamente o acelerar accidentalmente en una pendiente. Acelerar o frenar rápidamente en una pendiente podría hacer que la parte delantera de la máquina se levante y vuelque, lo que podría provocar lesiones personales graves o la muerte. Evite los arranques cuesta arriba.
- No puede sobre hierba mojada. Los neumáticos pueden perder tracción, y usted puede perder el control.
- Use siempre el freno al bajar pendientes. No se deslice cuesta abajo, ya que podría perder el control de la podadora.
- Evite arrancar, detenerse o girar en una pendiente. Si los neumáticos pierden la tracción, desactive las cuchillas y proceda lentamente en línea recta descendiendo por la pendiente.
- Muévase lenta y gradualmente en pendientes. No haga cambios repentinos en la velocidad o la dirección, ya que podría provocar que la máquina se dé vuelta.
- No intente estabilizar la máquina apoyando el pie en el suelo.
- Para uso doméstico únicamente.

## GUARDE ESTAS INSTRUCCIONES

# SÍMBOLOS

Las siguientes palabras de señalización y sus significados tienen el objeto de explicar los niveles de riesgo relacionados con este producto.

SÍMBOLO	SEÑAL	SIGNIFICADO
	<b>PELIGRO:</b>	Indica una situación peligrosa, la cual, si no se evita, causará la muerte o lesiones serias.
	<b>ADVERTENCIA:</b>	Indica una situación peligrosa, la cual, si no se evita, podría causar la muerte o lesiones serias.
	<b>PRECAUCIÓN:</b>	Indica una situación peligrosa, la cual, si no se evita, podría causar lesiones menores o leves.
	<b>AVISO:</b>	(Sin el símbolo de alerta de seguridad) Indica la información que se considera importante, pero no relacionada con lesiones potenciales (por ej. en relación a daños a la propiedad).

Es posible que se empleen en este producto algunos de los siguientes símbolos. Le suplicamos estudiarlos y aprender su significado. Una correcta interpretación de estos símbolos le permitirá utilizar mejor y de manera más segura el producto.

SÍMBOLO	NOMBRE	DENOMINACIÓN/EXPLICACIÓN
	Alerta de seguridad	Indica un peligro posible de lesiones personales.
	Lea el manual del operador	Para reducir el riesgo de lesiones, el usuario debe leer y comprender el manual del operador antes de usar este producto.
	Protección para los ojos	Siempre póngase protección ocular con protección lateral con la marca de cumplimiento de la norma ANSI Z87.1.

# ARMADO

## FAMILIARÍCESE CON LA JUEGO PARA EMBOLSAR

Vea la figura 1.

Para usar este producto con la debida seguridad, se debe comprender la información indicada en la herramienta misma y en este manual, y se debe comprender también el trabajo que intenta realizar. Antes de usar este producto, familiarícese con todas las características de funcionamiento y normas de seguridad del mismo.

## DESEMPAQUETADO

Este producto requiere armado.

- Extraiga cuidadosamente de la caja, el producto y los accesorios. Asegúrese de que estén presentes todos los artículos enumerados en la **Lista de empaquetado**.

### **ADVERTENCIA:**

No utilice este producto si alguna pieza incluida en la **Lista de empaquetado** ya está ensamblada al producto cuando lo desempaqueta. El fabricante no ensambla las piezas de esta lista en el producto. Éstas deben ser instaladas por el usuario. El uso de un producto que puede haber sido ensamblado de forma inadecuada podría causar lesiones personales graves.

- Inspeccione cuidadosamente el producto para asegurarse de que no haya sufrido ninguna rotura o daño durante el transporte.
- No deseche el material de empaquetado hasta que haya inspeccionado cuidadosamente el producto y la haya utilizado satisfactoriamente.
- Si hay piezas dañadas o faltantes, le suplicamos llamar al 1-800-525-2579, donde le brindaremos asistencia.

# ARMADO

## ADVERTENCIA:

Para reducir el riesgo de lesiones, el usuario debe leer y comprender el manual del operador de la tractor de césped antes de usar este accesorio. Guarde estas instrucciones. Consúltelas frecuentemente y utilícelas para instruir a otros usuarios. Si presta a alguien esta chaqueta, facilítele también las instrucciones.

## ADVERTENCIA:

El elevador de la plataforma de corte funciona con un resorte y bajo tensión. Podría sufrir lesiones personales graves si el elevador de plataforma a resorte se suelta repentinamente. Utilice siempre la clavija de detención automática para asegurar la palanca de ajuste de altura de la plataforma en su lugar al retirar o instalar la plataforma. Mantenga las manos y los dedos debajo y lejos del elevador de plataforma en todo momento.

## LISTA DE EMPAQUETADO

Cuchillas para embolsar (2)  
Soporte para embolsadora  
Tubo cuadrada  
Conjunto del contrapeso  
Conjunto de la placa tensora del enganche  
Marco de la cubierta  
Cubierta  
Bolsas (2)  
Tubo superior para embolsadora  
Tubo inferior para embolsadora  
Pasador de enganche (2)  
Gancho (2)  
Manual del operador

## INSTALACIÓN DEL JUEGO PARA EMBOLSAR

El juego para embolsar ACRM028 es compatible con tractores de césped RYRM8006 RYOBI. Este juego incluye una embolsadora y cuchillas para podadora especiales diseñadas para usar al embolsar. Instale las cuchillas primero, luego instale el juego para embolsar.

## EXTRACCIÓN DE LA BASE DE CORTE

Vea las figuras 2 a 5.

Si lo desea, la base de corte se puede extraer de la podadora para hacer que el acceso a la cuchillas sea más fácil cuando se reemplacen.

## ADVERTENCIA:

Use guantes gruesos en todo momento mientras manipula la plataforma de corte. Mantenga las manos y los dedos alejados de los puntos de agarre.

- Mueva la podadora a una superficie nivelada. Asegúrese de que la perilla de activación de la cuchilla esté hacia abajo.
- Detenga el motor, extraiga la llave de arranque y coloque el freno de estacionamiento.
- Mueva la palanca de ajuste de altura de la plataforma a la posición de liberación de la plataforma.

- Desconecte los cables (2) que conectan la plataforma de corte a la podadora.
- Tire del mango de liberación de la plataforma hacia afuera y gírelo hacia la parte trasera de la podadora.  
**NOTA:** Para liberar la tensión en el mango de liberación rápida, puede ser necesario tirar hacia arriba de la parte delantera de la plataforma mientras tira del mango hacia atrás. También puede colocar un bloque de madera de 7,62 cm de alto debajo del centro del borde delantero de la plataforma para aliviar la tensión. Consulte la Figura 4, A y B para ver la colocación de las manos.
- Repita en el lado opuesto de la podadora.
- Levante la plataforma y deslícela hacia adelante para separar el gancho de la plataforma del gancho en J.
- Deslice la cubierta hacia afuera desde debajo de la podadora.
- Invierta el proceso para volver a colocar la base de corte en la podadora.

## INSTALACIÓN DE CUCHILLAS PARA EMBOLSAR

Vea las figuras 6 y 7.

## ADVERTENCIA:

Utilice únicamente cuchillas y pernos de reemplazo autorizados por el fabricante de su podadora tipo tractor. Las cuchillas o los pernos de cuchilla no autorizados podrían romperse, lo que podría aflojar la cuchilla y causar lesiones personales graves y daños en la podadora.

- NOTA:** Asegúrese de volver a colocar todas las piezas en el orden exacto en que fueron retiradas.
- Mueva la podadora a una superficie nivelada. Asegúrese de presionar el freno de mano y que la perilla de activación de las cuchillas se encuentre hacia abajo.
  - Apague el motor, retire la llave del arranque et coloque el freno de estacionamiento.
  - Levante la altura de la base de corte a su posición más alta para permitir el acceso a las cuchillas.  
**NOTA:** Si es necesario, levante la podadora colocando un elevador o utilizando un gato hidráulico y un gato estabilizador pour de tener acceso a las cuchillas.

# ARMADO

## **ADVERTENCIA:**

Si levanta la podadora para acceder las cuchillas, asegúrese de que la podadora se encuentre asegurada correctamente y el freno de estacionamiento esté colocado antes de proceder. Si no asegura la podadora correctamente puede provocar una caída, lo que podría causar la muerte o posibles lesiones físicas graves.

- Introduzca a presión un bloque de madera entre la cuchilla y el piso de la podadora para evitar que la cuchilla gire.
- Afloje la tuerca de la cuchilla al girarlo a la izquierda (como se observa en la base de la podadora) usando una llave de tuercas o de boca tubular de 15 mm (no se suministra).
- Retire la tuerca de la cuchilla, la arandela de resorte y la cuchilla.
- Coloque la cuchilla nueva en el eje contra los montantes de cuchilla correspondientes. Asegúrese de que la cuchilla esté correctamente asentada con el eje pasando por el orificio central de la cuchilla y los dos postes insertados en los respectivos orificios sobre la cuchilla. Asegúrese de que esté instalada con los extremos curvos orientados hacia arriba, donde está el piso de la podadora, y no hacia abajo, donde está el suelo. Si está asentada correctamente, los lados rectos deben estar alineados y la cuchilla permanecerá plana contra los montantes de cuchilla.
- Vuelva a colocar the la arandela de resorte, luego enrosque la tuerca de la cuchilla en el eje y apriétela con los dedos.
- Apriete la tuerca de la cuchilla derecha usando una llave dinamométrica (no suministrada) para asegurar que el perno esté apretado correctamente. La fuerza de torsión recomendada para la tuerca de la cuchilla es de 455 lb-pulg.

## **ADVERTENCIA:**

Asegúrese de que la cuchilla esté correctamente asentada y que la tuerca de la cuchilla esté ajustada según las especificaciones de par de torsión anteriores. Si no conecta la cuchilla correctamente, puede aflojarse y generar posibles lesiones personales graves.

- Repita el proceso con la segunda cuchilla.

## **INSTALACIÓN DEL CONJUNTO DE CONTRAPESO**

*Vea la figura 8.*

## **ADVERTENCIA:**

El conjunto de contrapeso es necesario cuando se opera el tractor con un recolector de césped. Si no se instala el conjunto de contrapeso, puede sufrir lesiones graves o la muerte.

- Inserte el conjunto del contrapeso en el punto de enganche de la parte delantera del tractor hasta que los agujeros queden alineados como se muestra en la imagen.
- Inserte el pasador de enganche en los agujeros.
- Asegure los pasadores con un gancho.

## **INSTALACIÓN DE LA EMBOLSADORA**

*Vea las figuras 9 a 19.*

- Retire dos pernos del lado largo de la placa triangular en el tubo cuadrado como se muestra y déjelos a un lado.
- Alinee los orificios de la placa triangular con los orificios del soporte de la embolsadora.  
**NOTA:** Cuando esté completamente ensamblado, el tubo recto del conjunto del soporte de la embolsadora estará del mismo lado que la salida de descarga del cortacésped.
- Vuelva a colocar los pernos (2) en los orificios y asegúrelos con tuercas.  
**NOTA:** Ajuste los cuatro pernos en la placa triangular.
- Ubique el conjunto de la placa del tensor del enganche.
- Deslice el conjunto sobre el tubo cuadrado como se muestra, con el borde de la placa mirando hacia arriba y hacia el soporte de la embolsadora.
- Inserte el conjunto del soporte de la embolsadora en el punto de enganche de la parte trasera de la podadora hasta que los agujeros queden alineados como se muestra en la imagen.
- Inserte el pasador de enganche en los agujeros.
- Asegure los pasadores con un gancho.
- Deslice el conjunto de la placa tensora del enganche completamente contra el enganche.
- Ajuste las tuercas (2) en el perno en U para asegurarlo.
- Coloque el marco de la cubierta sobre las barras del soporte con las aberturas del marco de la cubierta deslizándose sobre las barras del soporte.
- Abra la cubierta y colóquela sobre el marco.
- Jale uno de los clips traseros sobre el riel del marco y asegúrelo en su lugar como se muestra.
- Sujete el otro clip trasero y proceda a sujetar los clips restantes alrededor del marco.
- Levante la cubierta hasta su nivel más alto y deslice las bolsas en el bastidor de la embolsadora.
- Baje la cubierta y asegure con el cordón elástico.
- Retire la cubierta de la trituradora de la podadora, si está instalada.
- Baje la plataforma del tractor a su posición más baja.
- Instale la parte superior del tubo superior para embolsadora (deslice con el indicador de bolsa llena) en el orificio de la parte posterior de la cubierta del receptor de pasto.
- Instale el tubo inferior para embolsadora en la salida de descarga lateral colocando la abertura sobre la lengüeta del bastidor de la podadora, luego enganche los sujetadores en el bastidor, tal como se muestra.

# ARMADO

- Saque el tubo superior de la cubierta lo suficiente para conectar los dos tubos, alineando el orificio del pestillo del tubo inferior con lengüeta del tubo superior. Empuje el pestillo del tubo inferior sobre la lengüeta del tubo superior y asegúrelo.
- Asegúrelo con correas de goma.
- Asegúrese de tirar hacia fuera la manga de entrada e insertar completamente el tubo en la parte superior del empacador.

# FUNCIONAMIENTO

## ADVERTENCIA:

No permita que su familiarización con las sopladoras lo vuelva descuidado. Tenga presente que un descuido de un instante es suficiente para causar una lesión grave.

## ADVERTENCIA:

Siempre póngase protección ocular con protección lateral con la marca de cumplimiento de la norma ANSI Z87.1. La inobservancia de esta advertencia puede causar el lanzamiento de objetos hacia los ojos y otras lesiones graves.

## ADVERTENCIA:

No utilice ningún aditamento o accesorio no recomendado por el fabricante de esta sopladora. El empleo de aditamentos o accesorios no recomendados podría causar lesiones serias.

## ADVERTENCIA:

Verifique que todas las protecciones y los tubos estén en su lugar ante de usar. Si alguna protección, pieza o tubo se dañó o falta, no use la sopladora hasta que haya sido reparada por un centro de servicio calificado. Usar la sopladora con protecciones, piezas o tubos dañados o faltantes puede causar lesiones personales graves o mayores daños a la sopladora.

## AVISO:

Antes de cada uso, inspeccione todo el producto para detectar partes dañadas, faltantes o sueltas, como tornillos, tuercas, pernos, tapas, etc. Apriete firmemente todos los sujetadores y las tapas y no accione este producto hasta que todas las partes faltantes o dañadas sean reemplazadas. Póngase en contacto con el servicio al cliente o con un centro de servicio autorizado para obtener ayuda.

## USOS

You may use this product for the purposes listed below:

- Recolección de hojas y recortes de césped de su césped

## CÓMO USAR EL JUEGO PARA EMBOLSAR

Vea las figuras 20 y 21.

## ADVERTENCIA:

Los accesorios agregados pueden afectar la estabilidad de la podadora si se usa en pendientes. Tenga sumo cuidado cuando pade en pendientes si el juego para embolsar está instalado.

## ADVERTENCIA:

Tenga especial cuidado cuando retroceda si el juego para embolsar está instalado, ya que puede limitar la visión. Siempre controle que atrás o debajo no haya niños, transeúntes o mascotas y mueva la podadora lentamente para evitar accidentes mientras retrocede, ya que pueden causar la muerte o lesiones personales graves.

- Instale el juego para embolsar tal como se describió anteriormente.
- Corte el pasto como desee. Esté atento al estado del indicador de bolsa llena. Cuando la bola roja en el indicador flota hasta la posición más alta, significa que las bolsas están llenas y deben vaciarse.
- Asegúrese de que la cuchilla no esté activada.
- Detenga el motor, retire la llave de arranque y active el freno de estacionamiento.
- Levante la cubierta y saque los residuos de las bolsas.
- Vuelva a colocar las bolsas y cierre la cubierta por completo.
- Vuelva a instalar la llave de arranque y encienda la podadora cuando esté listo para reiniciar la poda.

**NOTA:** Siempre vacíe las bolsas antes de almacenar la podadora.



# FUNCIONAMIENTO

## CONSEJOS DE FUNCIONAMIENTO

- Evite cortar pasto húmedo o pasto que esté pesado debido al rocío. El pasto que está húmedo es pegajoso y puede adherirse a las piezas de la embolsadora.
- Si la embolsadora no levanta el pasto cortado o las hojas cuando las bolsas no están llenas, esto puede indicar que

se ha producido una obstrucción. Detenga el motor, retire la llave de arranque, active el freno de estacionamiento y controle que no haya material obstruido en alguna parte de la embolsadora.

- Si lo desea, puede insertar bolsas plásticas para la basura dentro de la embolsadora para facilitar la eliminación de los residuos.

# MANTENIMIENTO

## ADVERTENCIA:

Para evitar lesiones personales graves, detenga siempre la podadora, ponga el freno de mano y retire la llave de arranque cuando limpie o realice tareas de mantenimiento.

## ADVERTENCIA:

Siempre póngase protección ocular con protección lateral con la marca de cumplimiento de la norma ANSI Z87.1. Si no cumple esta advertencia, los objetos que salen despedidos pueden producirle lesiones serias en los ojos.

## ADVERTENCIA:

Al dar servicio a la unidad, sólo utilice piezas de repuesto idénticas. El empleo de piezas diferentes puede causar un peligro o dañar el producto.

## ADVERTENCIA:

Nunca use agua ni otros líquidos para limpiar o enjuagar la product y no exponga la unidad a la lluvia ni de condiciones húmedas. Almacene la unidad en el interior en un lugar seco. Los líquidos corrosivos, el agua, y los productos químicos pueden ingresar los componentes eléctricos del producto y/o al compartimiento de la batería y dañar los componentes eléctricos o el paquete de la batería, lo que podría resultar en un corto circuito, mayor riesgo de incendio y lesiones personales graves. Retire la acumulación de suciedad y los residuos limpiando el producto con un trapo seco de manera ocasional.

## AVISO:

Inspeccione periódicamente todo el producto para detectar partes dañadas, faltantes o sueltas, como tornillos, tuercas, pernos, tapas, etc. Apriete firmemente todos los sujetadores y las tapas y no accione este producto hasta que todas las partes faltantes o dañadas sean reemplazadas. Póngase en contacto con el servicio al cliente o con un centro de servicio autorizado para obtener ayuda.

## ALMACENAMIENTO

El conjunto del receptor de hierba está sujeto a deterioro y a desgaste, y se debe revisar todas las veces que use la podadora. Si es necesario algún repuesto, asegúrese de que el receptor de hierba nuevo cumpla con las recomendaciones y especificaciones del fabricante.

## ADVERTENCIA:

No permita en ningún momento que fluidos para frenos, gasolina, productos a base de petróleo, aceites penetrantes, etc., lleguen a tocar las piezas de plástico. Las sustancias químicas pueden dañar, debilitar o destruir el plástico, lo cual a su vez puede producir lesiones corporales serias.

- Limpie toda materia extraña presente en la sopladora.
- Almacene la unidad en el interior, inaccesible a los niños. Evite que la unidad entre en contacto con agentes corrosivos como las sustancias químicas para el jardín y las sales para derretir el hielo.

**Registre el producto: [www.ryobitools.com](http://www.ryobitools.com) o llámenos a la línea gratuita 1-800-525-2579**  
**Este producto tiene una garantía limitada de treinta días.**

## SLOPE GUIDE

### WARNING:

Slopes are a major factor related to tip-over and roll-over accidents that can result in severe injury or death. Operation on all slopes requires extra caution. If you cannot back up the slope or if you feel uneasy on a slope, do not mow it. For your safety, do not attempt to mow slopes greater than 10 degrees. Do not operate in reverse down a slope, unless the mower stops while going uphill. In that situation, stop the blades, look behind you, and back up slowly. Make a copy or cut out the slope guide image on the back of this page and use to determine if your slope is too steep for safe operation.

- Fold page on dotted line.
  - Locate a vertical object on or behind your slope (i.e., pole, building, fence, tree, etc.).
  - Align either edge of slope guide with vertical object.
  - Adjust gauge until bottom left corner touches the slope.
  - Do not attempt to mow slopes greater than 10°.
- 

## GUIDE DE PENTE

### AVERTISSEMENT :

Les pentes représentent un facteur majeur des accidents causés par la perte de contrôle ou le renversement et sont cause de blessures graves ou mortelles. Toute opération sur des pentes exige une extrême prudence. S'il est impossible d'aborder une pente ou si vous ne vous y sentez pas à l'aise, ne la tondez pas. À des fins de sécurité, ne pas tenter de tondre des pentes ayant une inclinaison supérieure à 10 degrés. Ne pas utiliser en marche arrière dans une pente, à moins que la tondeuse s'arrête en montant. Dans cette situation, arrêter les lames, regarder derrière et reculer lentement. Copier ou découper l'illustration du guide de pente au verso de la page et l'utiliser pour déterminer si la pente est trop raide pour être tondu en toute sécurité.

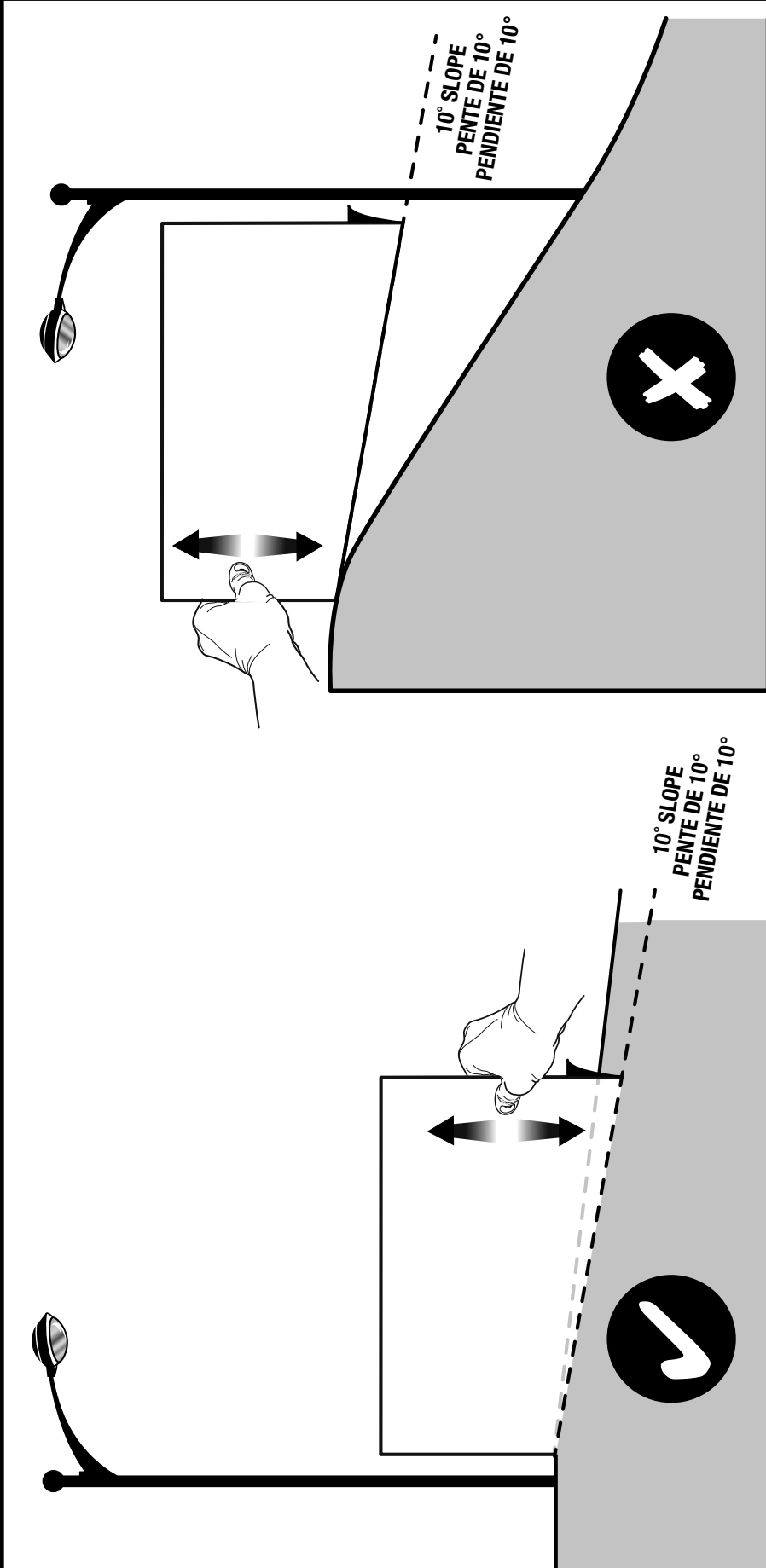
- Plier la page à la ligne pointillée.
  - Repérer un objet vertical sur ou derrière la pente à tondre (ex. : poteau, édifice, clôture, arbre, etc.).
  - Aligner l'un des côtés du guide de pente avec l'objet vertical.
  - Aligner le gabarit jusqu'à ce que le bas du coin gauche touche la pente.
  - Ne pas tenter de tondre des pentes ayant une inclinaison supérieure à 10 degrés.
- 

## GUÍA DE PENDIENTES

### ADVERTENCIA:

Las pendientes son un factor importante relacionado con vuelcos y accidentes de vuelcos, lo que puede provocar heridas graves o la muerte. El funcionamiento en pendientes requiere precaución adicional. Si no puede cubrir la pendiente o si se siente incómodo, no la pade. Para su seguridad, no intente podar pendientes de más de 10 grados. No retroceda en pendientes hacia abajo, a menos que la podadora se detenga cuando suba una. En esa situación, detenga las cuchillas, mire hacia atrás y retroceda lentamente. Haga una copia o recorte la imagen guía de la pendiente, ubicada en la parte trasera de esta página, y utilícela para determinar si su pendiente es demasiado pronunciada para el funcionamiento seguro.

- Pliegue la página por la línea de puntos.
- Coloque un objeto vertical o detrás de su pendiente (es decir, un poste, una construcción, un cerco, un árbol, etc.).
- Alinee cualquier punta de la pendiente guía con el objeto vertical.
- Ajuste el calibre hasta que la esquina inferior izquierda toque la pendiente.
- No intente podar pendientes de más de 10 grados.



10° SLOPE  
PENTE DE 10°  
PENDIENTE DE 10°

10° SLOPE  
PENTE DE 10°  
PENDIENTE DE 10°

10° Line

Ligne de 10° / Línea de 10°







**OPERATOR'S MANUAL**  
**MANUEL D'UTILISATION / MANUAL DEL OPERADOR**  
**BAGGING KIT**  
**TROUSSE D'ENSEMBLE D'ENSACHAGE**  
**KIT DE EMBOLSADO**  
**ACRM028**

• **PARTS AND SERVICE:** Prior to requesting service or purchasing replacement parts, please obtain your item, manufacturing, and serial numbers from the product data plate.

**ITEM NO.\*** \_\_\_\_\_ **MANUFACTURING NO.** \_\_\_\_\_

**SERIAL NO.** \_\_\_\_\_

*\* Model/item number on product may have additional letters at the end. These letters designate manufacturing information and should be provided when calling for service.*

**HOW TO OBTAIN REPLACEMENT PARTS:** Replacement parts can be purchased online at [www.ryobitools.com](http://www.ryobitools.com) or by calling 1-800-525-2579. Replacement parts can also be obtained at one of our service centers.

**HOW TO LOCATE A SERVICE CENTER:** Service centers can be located online at [www.ryobitools.com](http://www.ryobitools.com) or by calling 1-800-525-2579.

**HOW TO OBTAIN CUSTOMER OR TECHNICAL SUPPORT:** To obtain customer or technical support please contact us at 1-800-525-2579.

RYOBI is a registered trademark of Ryobi Limited and is used pursuant to a license granted by Ryobi Limited.

• **PIÈCES ET SERVICE :** Avant de faire la demande de service ou l'achat de pièces de remplacement, veuillez obtenir le numéro d'article, le numéro de fabrication et le numéro de série à partir de la plaque de données du produit.

**NUMÉRO D'ARTICLE\*** \_\_\_\_\_ **NUMÉRO DE FABRICATION** \_\_\_\_\_

**NUMÉRO DE SÉRIE** \_\_\_\_\_

*\* Le numéro de modèle/article sur le produit peut contenir des lettres supplémentaires à la fin. Ces lettres désignent les informations du fabricant et doivent être fournies lors d'un appel de demande de service.*

**COMMENT OBTENIR LES PIÈCES DE REMPLACEMENT :** Les pièces de remplacement peuvent être achetées en ligne sur le site [www.ryobitools.com](http://www.ryobitools.com) ou par téléphone au 1-800-525-2579. Les pièces de remplacement peuvent être obtenues à un de nos centres de service.

**COMMENT TROUVER UN CENTRE DE SERVICE :** Les centres de service peuvent être localisés en ligne au [www.ryobitools.com](http://www.ryobitools.com) ou en téléphonant au 1-800-525-2579.

**COMMENT OBTENIR DE L'AIDE EN CONTACTANT LE SERVICE À LA CLIENTÈLE :** Pour contacter le service à la clientèle pour une question technique ou pour tout autre renseignement, veuillez nous téléphoner au 1-800-525-2579.

RYOBI est une marque déposée de Ryobi Limited et est utilisée en vertu d'une licence accordée par Ryobi Limited.

• **PIEZAS DE REPUESTO Y SERVICIO:** Antes de solicitar servicio técnico o comprar piezas de repuesto, obtenga su número de artículo, el número de fabricación y el número de serie de la placa de datos del producto.

**NÚMERO DE ARTÍCULO\*** \_\_\_\_\_ **NÚMERO DE FABRICACIÓN** \_\_\_\_\_

**NÚMERO DE SERIE** \_\_\_\_\_

*\* El número de modelo/artículo que figura en el producto podría tener letras adicionales al final. Estas designan información de fabricación y deben suministrarse cuando llame para obtener asistencia o servicio.*

**CÓMO OBTENER PIEZAS DE REPUESTO:** Las piezas de repuesto se pueden comprar en nuestro sitio en la red mundial, en la dirección [www.ryobitools.com](http://www.ryobitools.com) o llamando al 1-800-525-2579. Las piezas de repuesto también se pueden obtener en uno de nuestros centros de servicio.

**CÓMO LOCALIZAR UN CENTRO DE SERVICIO:** Puede encontrar los centros de servicio visitando nuestro sitio en la red mundial, en la dirección [www.ryobitools.com](http://www.ryobitools.com) or by calling 1-800-525-2579.

**CÓMO OBTENER SERVICIO O ASISTENCIA TÉCNICA AL CONSUMIDOR:** Para obtener servicio o asistencia técnica al consumidor, sírvase comunicarse con nosotros llamando al 1-800-525-2579.

RYOBI es una marca registrada de Ryobi Limited y se utiliza conforme a una licencia otorgada por Ryobi Limited.

**TTI OUTDOOR POWER EQUIPMENT, INC.**

P.O. Box 1288, Anderson, SC 29622, USA  
1-800-525-2579 • [www.ryobitools.com](http://www.ryobitools.com)