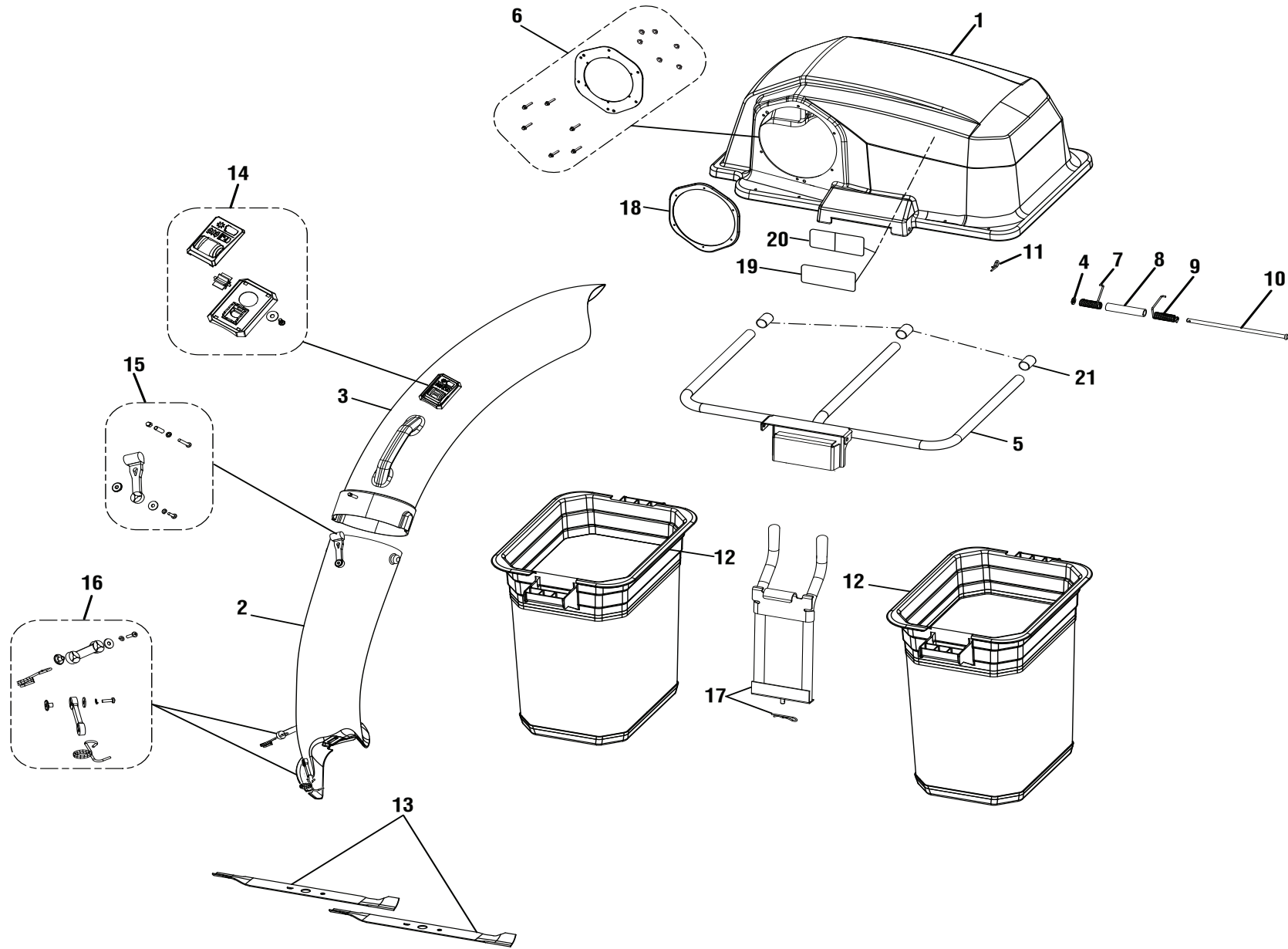


RYOBI
Bagging Kit
Item No. ACRM001
Mfg No. 000997034
Repair Sheet

TECHTRONIC INDUSTRIES POWER EQUIPMENT

P.O. Box 1288, Anderson, SC 29622 USA
1-800-860-4050 • www.ryobitools.com

RYOBI BAGGING KIT MODEL NUMBERS - ACRM001



RYOBI BAGGING KIT MODEL NUMBERS – ACRM001

The model number will be found on a label attached to the housing. Always mention the model number in all correspondence regarding your **BAGGING KIT** or when ordering replacement parts.

PARTS LIST – FIGURE A

KEY NO.	PART NUMBER	DESCRIPTION	QTY
1	120685001	Bagger Cover Assembly (Inc. Key Nos. 19 & 20).....	1
2	120686001	Lower Bagger Tube Assembly	1
3	120687001	Upper Bagger Tube Assembly	1
4	636797001	Washer	1
5	994977001	Upper Frame Cover Assembly	1
6	120802001	Seal Kit	1
7	696020001	Bagger Hinge Spring (Right).....	1
8	532472001	Cover Hinge Bushing	1
9	696019001	Bagger Hinge Spring (Left).....	1
10	622101001	Hinge Bagger Cover Pin.....	1
11	696243001	Bagger Hinge Pin Lock	1
12	312484001	Bagger Assembly Bag.....	2
13	637934001	Blade (43 cm)	2
14	120608001	Bagger Gauge Assembly.....	1
15	120688001	Upper Bungie Tube Connector Kit	1
16	120689001	Lower Bungie Tube Connector Kit	1
17	120690001	Bagger Assembly Lower Frame	1
18	532469001	Bagger Cover Bracket.....	1
19	940851218	Bagger Warning Label.....	1
20	940851266	Bagger Icon Warning Label.....	1
21	518366001	Drive Tube Cap.....	3
	Not Shown:		
	995000006	Operator's Manual	
	12-18-18		
	(Rev:03)		