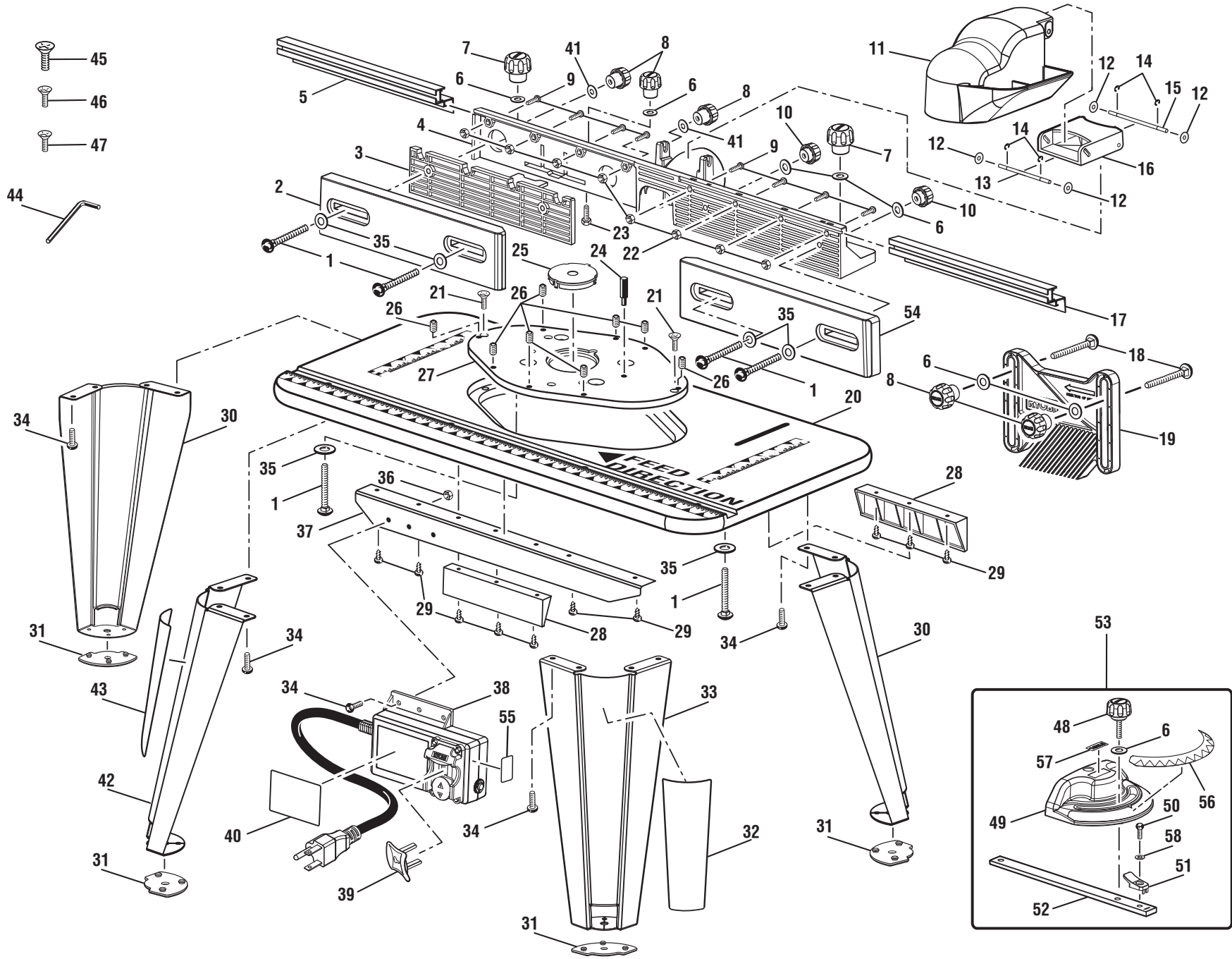


**RYOBI  
ROUTER TABLE  
MODEL NO. A25RT03  
REPAIR SHEET**

RYOBI ROUTER TABLE - MODEL NUMBER A25RT03



## RYOBI ROUTER TABLE – MODEL NUMBER A25RT03

The model number will be found on a label attached to the switch box. Always mention the model number in all correspondence regarding your **ROUTER TABLE** or when ordering replacement parts.

### PARTS LIST

KEY NO.	PART NUMBER	DESCRIPTION	QTY	KEY NO.	PART NUMBER	DESCRIPTION	QTY
1	089220105001	Carriage Bolt (M6 x 40 mm) .....	6	31	089220105043	Rubber Pad .....	4
2	089220105014	Left Sliding Fence Face.....	1	32	089220105044	Warning Label (Spanish/French) .....	1
3	089220105015	Joining Fence .....	1	33	089220105045	Right Front Table Leg (Inc. Key Nos. 31-32) .....	1
4	089220105016	Fence.....	1	34	089220105004	Screw (M6 x 16 mm) .....	19
5	089220105017	T-Track (Left Side).....	1	35	089220105005	Washer (ID7 x OD20 x 1.2 mm) .....	6
6	089220105018	Washer (ID6.5 x OD16 x 1 mm).....	8	36	089220105006	Nut (M6).....	3
7	089220105019	Large Lock Knob .....	2	37	089220105046	Front Rail .....	1
8	089220105020	Small Lock Knob w/Shoulder.....	5	38	089220105047	Switch Box (Inc. Key Nos. 39-40 and 55) .....	1
9	089220105021	Screw (M5 x 16 mm) .....	8	39	089220105048	Switch Key .....	1
10	089220105022	Small Lock Knob .....	2	40	089220105901	Data Label .....	1
11	089220105011	Cutter/Bit Guard .....	1	41	089220105013	Washer (ID6.5 x OD18 x 3 mm).....	2
12	089220105023	Washer (ID5.3 x OD15 x 1 mm) .....	4	42	089220105049	Left Front Table Leg (Inc. Key Nos. 31 and 43) .....	1
13	089220105024	Short Hinge Pin .....	1	43	089220105909	Warning Label (English).....	1
14	089220105025	E-Ring .....	4	44	089220105008	Hex Key (M3).....	1
15	089220105026	Long Hinge Pin.....	1	45	089220105050	Screw (5/16-18 x 3/4 in.).....	3
16	089220105027	Cutter Guard Bracket .....	1	46	089220105051	Screw (10-24 x 5/8 in.) .....	3
17	089220105028	T-Track (Right Side) .....	1	47	089220105052	Screw (10-32 x 5/8 in.) .....	3
18	089220105029	Carriage Bolt (M6 x 32 mm) .....	2	48	089220105053	Miter Gauge Lock Knob .....	1
19	089220105030	Featherboard.....	1	49	089220105054	Miter Gauge.....	1
20	089220105031	Router Table Top .....	1	50	089220105009	Screw (M3 x 8 mm) .....	1
21	089220105032	Screw (M5 x 23 mm) .....	2	51	089220105059	Pointer.....	1
22	089220105033	Nut (M5).....	8	52	089220105058	Bar .....	1
23	089220105034	Hex Bolt (M6 x 20 mm).....	1	53	089220105701	Miter Gauge Assembly (Inc. Key Nos. 6, 48-52 and 56-57) .....	1
24	089220105035	Starting Pin.....	1	54	089220105057	Right Sliding Fence Face .....	1
25	089220105036	Throat Plate-A (1/2 in.) .....	1	55	089220105910	Reset Label .....	1
	089220105037	Throat Plate-B (1 in.) .....	1	56	089220105911	Miter Scale Label .....	1
	089220105038	Throat Plate-C (1-3/16 in.).....	1	57	089220105912	Logo Label .....	1
	089220105039	Throat Plate-D (1-1/2 in.).....	1	58	089220105012	Washer (ID4 x OD6 x 0.8 mm) .....	1
	089220105040	Throat Plate-E (2 in.).....	1				
26	089220105002	Screw (M6 x 8 mm) .....	8		<b>Not Shown:</b>		
27	089220105010	Insert Plate (Inc. Key No. 26).....	1		991000868	Operator's Manual (089220105906)	
28	089220105041	Under Table Guard .....	2		10-18-18		
29	089220105003	Wood Screw (M5.5 x 13 mm).....	10		(Rev:02)		
30	089220105042	Rear Table Leg (Inc. Key No. 31).....	2				